

ADJUSTABLE SUCTION LEVELS
and suction cycles

Pure[®]
expressions™

SINGLE CHANNEL
ELECTRIC BREAST PUMP



Item # RTLBP1000
INSTRUCTION
MANUAL

drive™

Congratulations on your new bundle of joy!

Thank you for choosing the Pure Expressions Single Channel Electric Breast Pump. It has been known that the breast milk is the best natural food for your baby. With our collaboration with the breastfeeding experts and research with the lovely breastfeeding mothers who are determined to give the best to their babies, just like you, our products fulfill the breastfeeding mother's needs where the circumstance do not make breastfeeding possible.

Indications For Use

The electric breast pump RTLBP1000 is to express and collect milk from the mother's breast, to alleviate engorgement of the breast, maintain the ability of lactation, and provide mother's milk for future feedings when separation of mother and baby occurs.

The device is intended for a single user, not for hospital use.

All parts that have direct contact with the milk and breast are BPA free.

Features of Electric Breast Pump RTLBP1000

- Automatic breast pump is controlled by a microcomputer chip. It has 2-phase suction which mimics the sucking of a baby.
- Stimulation Phase: fast and fixed sucking rhythm to stimulate milk flow, 9 levels for adjustment.
- Expression Phase: slow sucking rhythm to express your milk efficiently.
- Air and milk are separated by structure for milk backflow protection.
- Quiet motor for discretion
- Small and lightweight, for easy portability ·2 power options to fit your needs:

- AC/DC Adapter
- 4 AA Alkaline batteries
- With bottle adaptor, transferable for wide or standard neck bottle
- LCD Display shows the working state.
- All parts that have direct contact with the milk and breast are BPA free.

Warnings and Precautions

Basic safety precautions should be taken when using electrical products, especially around children.

WARNING: If you are a mother who is infected with Hepatitis B, Hepatitis C or Human Immunodeficiency Virus (HIV), pumping breast milk will not reduce or remove the risk of transmitting the virus to your baby through your breast milk.

Read all instructions before using. When using any electrical appliance, basic safety precautions should always be followed, including the following:

WARNING:

- The power adaptor is a part of the breast pump.
- Always unplug electrical device immediately after use.
- Do not use while bathing.
- Do not place or store device where it can be submerged in water.
- Do not reach for device if it has fallen into water. Immediately unplug from the electrical outlet.
- Do not leave device unattended when plugged into electrical outlet.
- Do not position the breast pump such that it is difficult to disconnect the adapter plug from the main power supply.
- Close supervision is necessary when used near children or people with disabilities.
- Use product only for its intended use. Do not use attachments

not recommended by the manufacturer.

- Keep cord away from heated surface.
- Never use while sleepy or drowsy.
- Never drop or insert objects into any opening or tubing.
- Do not use outdoors or operate where aerosol products are being used, or where oxygen is being administered.
- Always inspect power adapter and batteries prior to use for damage and exposed wires. If damage is found, immediately discontinue use of power adapter.
- Do not operate during transportation.

WARNING: To avoid health risk and reduce the risk of injury:

- This device is intended for single user only and should not be shared between users.
- Do not drive while pumping.
- Never use while pregnant, as pumping can induce labor.
- Clean and sanitize all parts that come in contact with your breast and breast milk prior to first use. Wash all parts that come in contact with your breast and breast milk after every use.
- Inspect all appropriate pump components before each use.
- Do NOT continue pumping for more than 2 consecutive pumping sessions if no results are achieved.
- Do not thaw frozen breast milk in a microwave or in a pan of boiling water.
- If tubing becomes moldy, discontinue use and replace tubing.
- If breast milk backup occurs, clean the tubing before your next pumping session.

WARNING: Avoid the following, which could lead to minor injury:

- DO NOT wrap cord around the adapter body.
- Use only the power adapter that comes with the Single Electric

Pure Expressions breast pump.

- Pump only with the breast pump in the upright position.
- DO NOT shorten the tubing.
- Make sure the voltage of the power adapter is compatible with the power source.
- Plug the adapter into the breast pump first, then into the power source.
- DO NOT use antibacterial or abrasive cleaners/detergents when cleaning breast pump or breast pump parts.
- Never put the breast pump motor in water or sterilizer, as permanent damage can result to the device.
- DO NOT attempt to remove the breast shield from your breast while pumping. Turn the breast pump off and break the seal between your breast and the breast shield with your finger, then remove the breast shield from your breast.
- If pumping is uncomfortable or causing pain, turn the unit off, break the seal between the breast and breast shield with your finger and remove the breast shield from your breast.

NOTES:

Plastic bottles and component parts become brittle when frozen and may break when dropped.

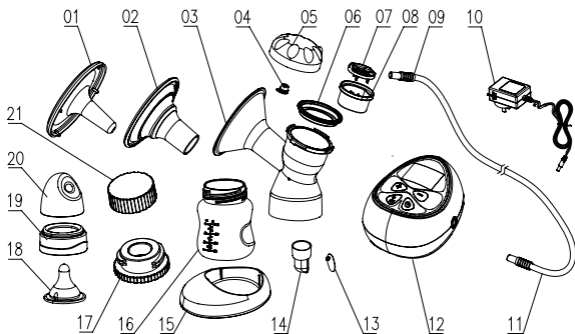
Take appropriate care in handling bottles and components.

Do not use the breast milk if bottles or components become damaged.

When the breast pump is working, it won't cause any electrical problems on household appliances. But, high power household appliances (such as food processing machines) and kitchen appliances (such as microwave ovens) may affect the breast pump's normal working.

SAVE THIS INSTRUCTION MANUAL

PARTS GUIDE



- 01 Dust Cover x 1
- 02 Silicone Cushion x 1
- 03 Breast Shield body x 1
- 04 Cap Plug x 1
- 05 Cap x 1
- 06 Seal Ring x 1
- 07 Damper x 1
- 08 Grid x 1
- 09 Tubing Connector x 2
- 10 Adapter x 1
- 11 Tubing x 1

- 12 Pump unit x 1
- 13 Membrane x 1
- 14 Valve Body x 1
- 15 Bottle Stand x 1
- 16 Wide Neck Bottle 4oz x 1
- 17 Bottle Adapter x 1
- 18 Nipple x 1
- 19 Disc Collar x 1
- 20 Nipple Dust cover x 1
- 21 Bottle Lid x 1

Additional parts:

- Membrane x 2
- Drawstring bag x 1

Additional Accessories and Parts sold separately:

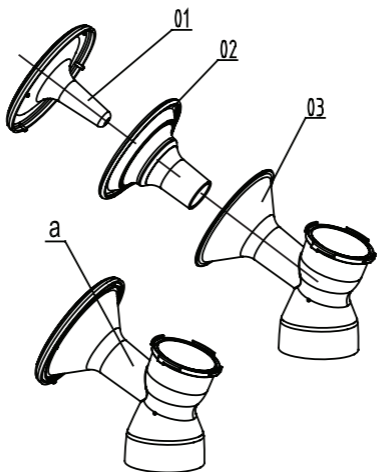
BP001	Breast Pump Carry Bag
BP002	Insulated Cooler Bag
BP004	6oz wide neck storage bottle with cap
BP005	27MM Pump Kit w/out Insert
BP006	24MM Silicone Insert
BP007	Valve Set - pair w/membrane
BP008	Membrane (4pcs per bag)
BP009	Tubing set (2pcs)
BP0010	6V Power Adaptor for RTLBP1000
BP0013	31MM Pump Kit w/out Insert
BP0014	27MM Silicone Insert
BP0015	Feeding Nipple Set
BP0016	Base (base to hold bottles)

How to assemble the Expression collection Kit

The electric breast pump comes pre-assembled; however you need to re-assemble it after each cleaning. Before assembling, the parts that come in contact with breast milk directly, including the milk bottle, silicone cushion, breast shield body, membrane, valve, grid, damper, bottle cap, disc collar (if use standard bottle), should be cleaned and sterilized each time.

1. Assembling the Expression collection combo kit

Slot in the (02) Silicone Cushion into (03) breast shield body and then slot in the (01) Dust Cover to form the complete (a) Expression collection combo kit.

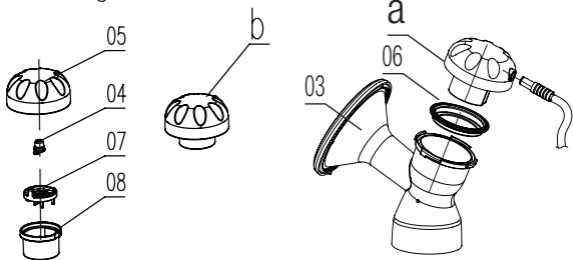


2. Assembling the Cap Combo

Make sure the Cap Plug 04 is plugged into the hole of the Cap 05 and ensure it is tightened securely.

Place the Damper 07 onto the Grid 08 and then place Cap 05 onto it to form a complete (b) Cap Combo.

Put the Seal Ring 06 on the head of (a), then screw (b) onto the breast shield body 03, and make sure it is tightened and secure to avoid leakage.



3. Assembling the Valve

Place the Membrane onto the Valve Body by pressing the Membrane into the installation holes as illustrated. Make sure the Membrane is completely flat and tight with no visible gap. Mount the Valve Body to the Breast Shield Body securely as illustrated.



4. Assembling the Bottle and Bottle Stand

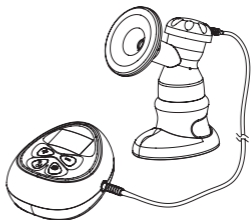
Screw the bottle into the connector at the Breast Shield Body and place it on the Bottle Stand. Take off the Dust Cover when ready to pump.



Connecting Expression collection Kit and Pump unit

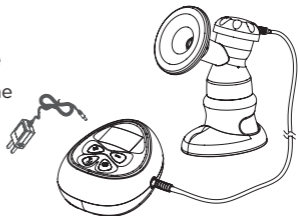
1. Connecting Tubing

Connect one end of the Tubing to Expression collection Kit and the other end to the Pump Unit as illustrated.



2. Connecting to Power Source

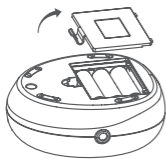
Plug the AC/DC Adapter into the wall socket outlet. Attach the Power Cord to Pump Unit as illustrated.



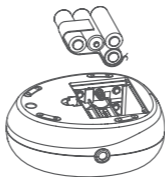
Note: When the breast pump is working, it won't cause any electrical problems on household appliances. However, high power household appliances (such as food processing machines) and kitchen appliances (such as microwave ovens) may affect the breast pump's normal performance. Please make note of this in case this happens.

3. Using 4AA alkaline batteries (not included).

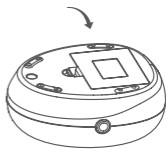
- Always replace all 4 AA Batteries at the same time.
- Remove all batteries if you are not going to use the breast pump for a period of time.
- Properly dispose of all batteries, according to regulations for environmental protection and recycling.
- Alkaline Batteries may present a risk of fire or chemical burn if mistreated. Do Not disassemble any battery. Do not place batteries near heat source or fire. Dispose of used batteries properly. Do not dispose of batteries in fire. Keep away from children.



Pic 1



Pic 2



Pic 3

Picture 1. Open the Battery Cover

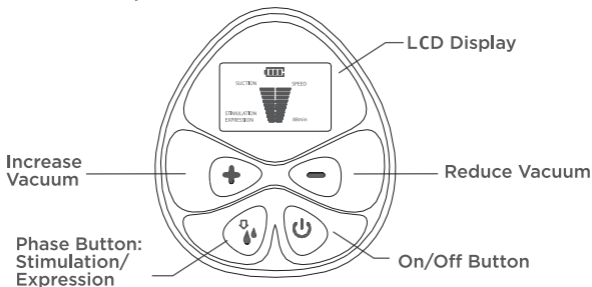
Picture 2. Insert 4 new AA Alkaline Batteries in the correct position as illustrated. The batteries should be placed above on the silk ribbon, which is easy for removing the batteries if pulled lightly.

Picture 3. Close and snap the cover back to the place.

Note: Batteries are not included. High capacity alkaline batteries can be used for 2 to 3 cycles, each cycle time is 30min.

Pumping Instructions

Control Panel Description



1. Control Panel Description

1. Place the breast shield over your breast so that your nipple is properly centered in the tunnel.
2. Take care not to kink the Tubing while pumping.
3. While the pump unit is connected to power source, press the On/Off Button to switch on the device.
4. The effective single breast pump operates in two modes: Stimulation and Expression. Once the device is turned on, the timer will start and the pump will begin. Simultaneously, the 30 minute timer will start and the pump will begin with the Stimulation Phase Level 1 vacuum for 2 minutes before entering into the Expression Phase at level 3 vacuum (factory default).
5. If your milk starts to flow earlier, press the Phase Button to toggle between stimulation and expression. Make sure the milk is flowing into the bottle properly. If you do not press the Phase Button the pump will automatically switch to Expression Phase after 2 minutes.

6. Press the Phase Button to toggle between stimulation and expression.
7. To adjust the suction level to your comfort during pumping, press the increase “+” button to increase suction or the “-“ button to decrease suction.
 - In Expression Phase, the vacuum can be adjusted to the desired level.
8. If you want to stop pumping, simply press On/Off Button and whatever Phase that the pump is working in, the pump will stop working.
9. Timer - 30mins countdown to 0, then the pump will stop working automatically.

NOTE: Once finished pumping, switch the breast pump off, unplug it, and disassemble the pump kit items. Close the bottle and store it for later use. Use bottle stand to prevent it from tipping over.

Cleaning Instructions:

Follow these cleaning and sanitizing instructions unless you are told otherwise by your healthcare provider.

Basic Cleaning Method

- Rinse each piece that comes into contact with the body and or milk with cool water immediately after pumping.
- Wash each piece separately using liquid dishwashing soap and plenty of warm water.
- Rinse each piece thoroughly with hot water for 10-15 seconds.
- Place the pieces neatly on a clean paper towel or in a clean drying rack and allow them to air dry.
- Avoid using cloth towels to dry the pump parts because they can carry germs and bacteria that may contaminate the breast milk.
- Once the pump parts are dry, assemble the pump before storage or use.
- Try not to touch the inside of any parts that will come in contact with your breast milk.

Cleaning Breast Pump Parts

- All breast pump parts that come in contact with your body and milk, such as bottles, valves, membranes and breast shields, should be cleaned after each use.
- Wash the pieces thoroughly to remove germs and bacteria with liquid soap and warm water.
- It is not necessary to clean the breast pump tubing unless breast milk gets into it.
- If you must wash the tubing, ensure the tubing is hung up to air dry before attaching it to the pump.

Cleaning the Electrical Pump Unit:

- Electrical units, which house the motor and batteries, should be wiped with a clean paper towel or soft cloth after each use.
- The electrical unit should never be put into water or other liquids for cleaning. It should also never be sterilized in a microwave sterilizer.

Tubing Care Instructions:

- Inspect tubing after each pumping session for condensation and/or milk.
- Do not boil the Tubing and/or the Tubing connector.
- Wipe the outside of the Tubing with a clean, damp (not wet) cloth. Avoid getting water or other liquid inside the Tubing.
- If liquids are found inside Tubing, rinse the Tubing with clean hot water. Hang up to AIR DRY COMPLETELY BEFORE USING.
- Do Not insert any object into the Tubing.

Note: Before each use, visually inspect the individual components for cracks, chips, tears, discoloration or deterioration as they may affect the efficiency of the Electric Breast Pump RTLBP1000. In the event that damage to the device is observed, please discontinue use till the parts have been replaced.

Guidelines for Storing and Thawing Breast milk

You should store and thaw your breast milk correctly. This is the only way you can be sure that all the important nutrients are preserved and bacterial contamination is minimized.

Check with your hospital for specific instructions.

Breast Milk Storage (For Healthy Term Babies)*

	Freshly Expressed Breast Milk	Thawed Breast Milk (Previously Frozen)
Room Temperature	Up to 77°F or 25°C; 6-8 hours	6-8 hours; Do not refreeze after thawing
Insulated Cooler Bag (Keep ice packs in contact with milk containers at all times; limit opening the cooler bag)	5-39°F or -15-4°C; up to 24 hours	24 hours; Do not refreeze after thawing
Refrigerator (Store milk towards back of the refrigerator, where temperature is most constant)	39°F or 4°C; up to 5 days	10 hours; Do not refreeze after thawing
Freezer (Store milk towards back of the freezer, where temperature is most constant)	-4°F or -20°C; 6-12 months	Do not refreeze after thawing!

**This information is for use as a guideline only. For more information on proper handling and storage of breastmilk, visit www.fda.gov, www.aap.org, or www.cdc.gov, or consult your lactation consultant.*

Tips for Freezing/Thawing Breast Milk:

- Do not refreeze breast milk after thawing.
- Never fill bottles/bags more than 3/4 to allow space for expansion.
- Label the bottle/bag with the date you expressed the milk.
- Do not store breast milk in the door of the refrigerator, store in the back of the main body of the refrigerator to avoid fluctuations in temperature.
- In order to preserve the components of the breast milk, thaw in the refrigerator overnight or by holding the bottle/bag under running warm water (max. 37°C/98.6°F).
- Gently shake the bottle/bag to blend any fat that has separated.
- Milk stored for longer durations in the ranges listed is safe, but some of the lipids in the milk undergo degradation resulting in lower quality.
- Do not thaw frozen breast milk in a microwave oven or in a pan of boiling water (danger of burning).

Troubleshooting

1. The pump unit can't be turned on

- Make sure the adapter is well connected to the wall socket and the pump unit.
- Make sure the polarity of the batteries are correctly posited.

2. Weak suction

- Check all the connection parts are assembled correctly and well: Valve Body, Membrane, Breast Shield Body, all Tubing connectors, and pump unit.)
- Make sure the breast shield forms a complete seal around the breast.
- Make sure the Tubing is not kinked and blocked. Clean the

Tubing if there is something small inside, and make the Tubing dry before using.

- Make sure the Cap Plug is installed correctly.
- Make sure the Seal Ring is assembled.

3. No suction

- Replace the distorted membrane for a new one.
- Make sure the Cap Plug is installed correctly.
- Make sure the Seal Ring is assembled correctly, if damaged, replace with a new one.
- Make sure all the plastic parts are not damaged by high temperature sterilizing.

4. Milk overflow

- If milk gets into the Tubing, Damper or Grid, turn off the pump and unplug from the power source immediately, clean the Tubing, Damper or Grid according to the cleaning instructions.
- If Damper or Grid is damaged, replace with a new one.
- Make sure your sitting position is appropriate for pumping.

Technical Data

- AC/DC adapter: input 100-240V, 50/60Hz, .2A output 6V 1A.
- Stimulating velocity: 95-105 T/min;
Stimulating intensity: -0.002--0.019MPa, 9 levels vacuum.
- Expression velocity: 20-65 T/min;
Expression intensity: -0.011--0.033MPa, 9 levels vacuum.
- Timer: 30 minutes.
- Overall noise: ≤ 60 dB(A).
- Operating conditions: 5°C to 40°C ,15% to 90% RH,800 hPa to 1060 hPa.
- Storage and shipping conditions:-25°C to 70°C ,15% to

93% RH, 700 hPa to 1060 hPa.

- Classification: type BF applied part; IP32; intermittent operating.
- Electric shock protection: Class II

Key to Box Symbol:



Class II equipment



Type BF applied part

IP32

IP32 Protected against access to hazardous parts with a tool and against vertically falling water drops when enclosure tilted up to 15°



Polarity of d.c. power connector



Direct current



Warning: Do not immerse in water



Refer to instruction manual / booklet



Disposal: Do not dispose this product as unsorted municipal waste. Collection of such waste separately for special treatment is necessary.

Manufactured For:

Medical Depot (dba Drive Medical)

99 Seaview Blvd.

Port Washington, NY11050

(877) 224-0946

www.drivemedical.com

Made in China

Attention:

Do not dispose of electrical appliances as unsorted municipal waste, use separate collection facilities. Contact your local government for information regarding the collection systems available. If electrical appliances are disposed of in landfills or dumps, hazardous substances can leak into the groundwater and get into the food chain, damaging your health and well-being.

Warranty Information

Limited Consumer Product Warranty (United States)

This Drive Medical Electric Breast Pump is warranted to the original consumer "the purchaser" to be free from defects in material and workmanship which are not commercially acceptable for the period of one year from the date of purchase on the pump mechanism and a period of 120 days on all other components. Warranty coverage terminates if you sell or otherwise transfer this product to another person. This warranty gives you specific legal rights and you may also have other rights, which vary by location.

DRIVE MEDICAL MAKES NO EXPRESS WARRANTY OF ANY KIND REGARDING THIS PRODUCT OTHER THAN THOSE WARRANTIES SET FORTH HEREIN. ANY IMPLIED WARRANTY, INCLUDING ANY IMPLIED WARRANTY OF MERCHANTABILITY OR ANY IMPLIED WARRANTY OF FITNESS FOR A PARTICULAR PURPOSE TO THE EXTENT PERMITTED BY LAW, SHALL BE LIMITED IN DURATION TO A PERIOD OF 120 DAYS FROM THE DATE OF PURCHASE BY THE ORIGINAL PURCHASER.

In the event that this product is found by Drive Medical to not meet the above limited warranty, as purchaser's sole and exclusive remedy, Drive Medical will repair or at the option of Drive Medical, replace this product without charge for such replacement parts or labor. The purchaser shall bear all expenses related to returning this product to Drive Medical. This warranty does not apply to any part of the product that has been subject to misuse, abuse, or alteration. Only Drive Medical brand replacement parts are recommended for use with Drive Medical breastfeeding products. Improper or incorrectly performed maintenance or repair, or use of non-Drive Medical brand replacement parts voids this warranty.

TO THE EXTENT PERMITTED BY LAW, DRIVE MEDICAL SHALL NOT BE LIABLE FOR ANY INCIDENTAL OR CONSEQUENTIAL DAMAGES INCLUDING, BUT NOT LIMITED TO, REPLACEMENT COSTS RESULTING FROM THE BREACH OF ANY WRITTEN OR IMPLIED WARRANTY.

If you wish to make a claim under this warranty, you will need the following:

- The entire original Drive Medical product
- The original receipt showing date of purchase
- Return Authorization Number (RA#)
- Detailed description of the problem

You, the purchaser, are responsible for all shipping charges. Do NOT send product without a RA#.

To obtain a RA# and shipping address: Please contact Drive Medical Customer Service Department by; Toll-free (866) 694-5085, or E-mail to customerservice@drivemedical.com, or In writing to:

Customer Service Department
Drive Medical
99 Seaview Boulevard
Port Washington, NY 11050

Items returned without a RA# will not be processed and will be returned to sender (postage due).

Pure 
expressions™
SINGLE CHANNEL
ELECTRIC BREAST PUMP

Manufactured for:
©2017, Medical Depot Inc.,
DBA Drive Medical
Design and Manufacturing
99 Seaview Blvd., Port Washington, NY 11050
All Rights Reserved. Made in China.

Call us toll-free 866-694-5085

Item # RTLBP1000

drive™