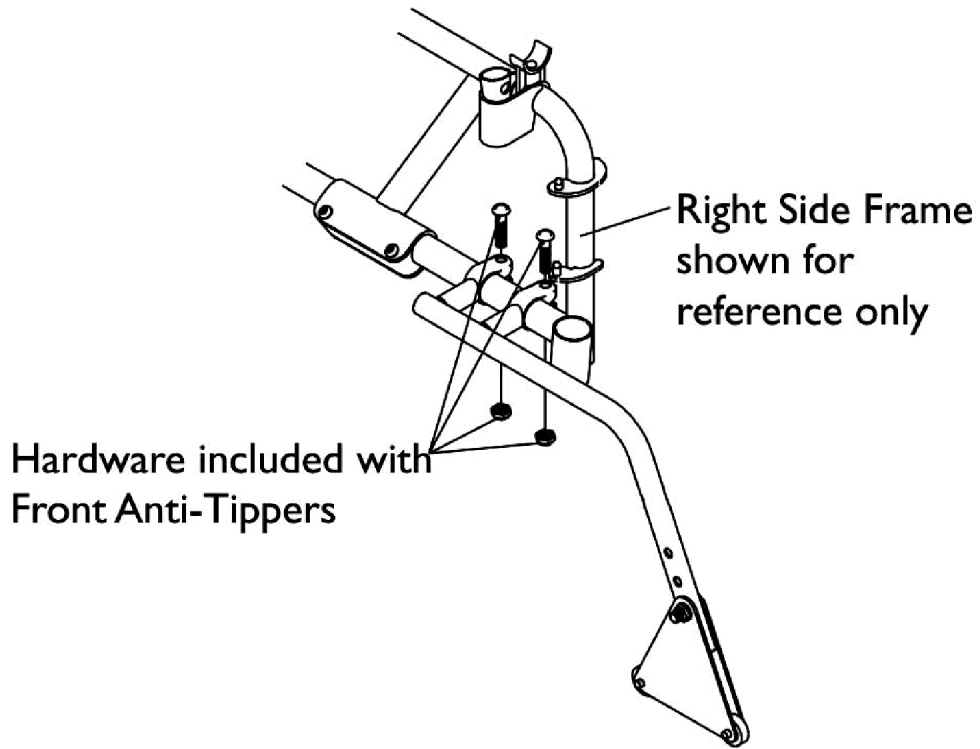
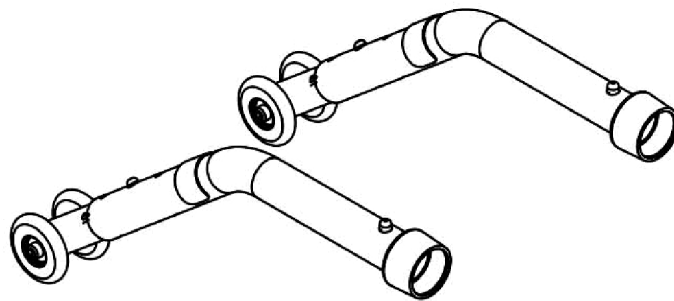


# Anti-Tippers

**NOTE:** The 0 degree and 6 degree chair configurations became available 8/1/02. Rear anti-tippers for these configurations are not available prior 8/1/02.



Front Anti-Tippers



Rear Anti-Tippers

# Anti-Tippers

**NOTE: The 0 degree and 6 degree chair configurations became available 8/1/02. Rear anti-tippers for these configurations are not available prior 8/1/02.**

## 9000SL and 9000XT

Model Number	Part Number	Description	Quantity Per Package
2226	1035967	Front Anti-Tippers	2
1360A	1061112 See Note(s) D, A, G	Rear Anti-Tippers	2
1360SH	1064520 See Note(s) A, C, E	Rear Anti-Tippers	2
1360	1058836 See Note(s) F, B, C	Rear Anti-Tippers	2

NOTE: A - 6" Fork and Caster.  
 B - 8" Fork and Caster.  
 C - Standard Seat to Floor angle for 9SL and 9XT is 3 degrees. After 8/1/02, 9XT with offset axle and adjustable journal caster options allow seat-to-floor angle to be set at 0 degrees, 3 degrees and 6 degrees.  
 D - For use on Adult, Hemi and Super Hemi models.  
 E - For use on Super Low models.  
 F - For use on all models.  
 G - 9000XT models with Super Hemi and Angle-S back must use Anti-Tipper part # 1058752.

## 9000XDT

Model Number	Part Number	Description	Quantity Per Package
2226	1035967	Front Anti-Tippers	2
1360A	1061112 See Note(s) A	Rear Anti-Tippers	2
1360	1058836 See Note(s) B	Rear Anti-Tippers	2

NOTE: A - Adult and Hemi Chairs - 8" Fork and Caster.  
 B - Tall Chairs - 8" Fork and Caster.

# Anti-Tippers

**NOTE: The 0 degree and 6 degree chair configurations became available 8/1/02. Rear anti-tippers for these configurations are not available prior 8/1/02.**

## 9000XT Recliner

Part Number	Description	Quantity Per Package
1035967	Front Anti-Tipper	2
1061109-NLA See Note(s) A	Rear Anti-Tipper	2
8881180805 See Note(s) A, D	Rear Anti-Tipper	2
1061110-NLA See Note(s) B	Rear Anti-Tipper	2
8881180802 See Note(s) D, B	Rear Anti-Tipper	2
1021767-NLA See Note(s) C	Rear Anti-Tipper	2
8881180799 See Note(s) C, D	Rear Anti-Tipper	2
NOTE: A - For use on models with 20" rear wheels. B - For use on models with 22" rear wheels. C - For use on models with 24" rear wheels. D - Specify 71P Silver Vein when ordering.		

## 9000XT with 0 Degree Seat Angle - After 8/01/02

### 9000XT w/Offset Axle and Adjustable Journal Caster Options

Kit Number	Seat to Floor Height	Anti-Tipper Length	Anti-Tipper Height	Caster Size
1061112	15-1/2"	11-5/8"	2-3/4"	6"
1058836	16-1/2" - 17-1/2"	13-1/2"	3-1/2"	6"
1058836	17-1/2" - 18-1/2"	13-1/2"	3-1/2"	8"

# Anti-Tippers

**NOTE:** The 0 degree and 6 degree chair configurations became available 8/1/02. Rear anti-tippers for these configurations are not available prior 8/1/02.

## 9000SL and 9000XT with 3 Degree Seat Angle

### 9000XT w/Offset Axle and Adjustable Journal Caster Options

Kit Number	Seat to Floor Height	Anti-Tipper Length	Anti-Tipper Height	Caster Size
1061112 See Note(s) A	15-1/2", 16-1/2", 17-1/2"	11-5/8"	2-3/4"	6"
1058836 See Note(s) A	17-1/2", 18-1/2", 19-1/2"	13-1/2"	3-1/2"	8"

NOTE: A - Standard seat to floor angle for 9SL and 9XT is 3 degrees. After 8/1/02, 9XT with offset axle and adjustable journal caster options allow seat to floor angle to be set at 0 degrees, 3 degrees and 6 degrees.

## 9000XT with 6 Degree Seat Angle - After 8/1/02

### 9000XT w/Offset Axle and Adjustable Journal Caster Options

Kit Number	Seat to Floor Height	Anti-Tipper Length	Anti-Tipper Height	Caster Size
1113764-NLA	15-1/2"	9-1/2"	2-3/8"	6"
1113765-NLA	16-1/2", 17-1/2"	12-1/2"	2-3/4"	6"
1113766-NLA	17-1/2", 18-1/2", 19-1/2"	13-1/2"	2-7/8"	8"