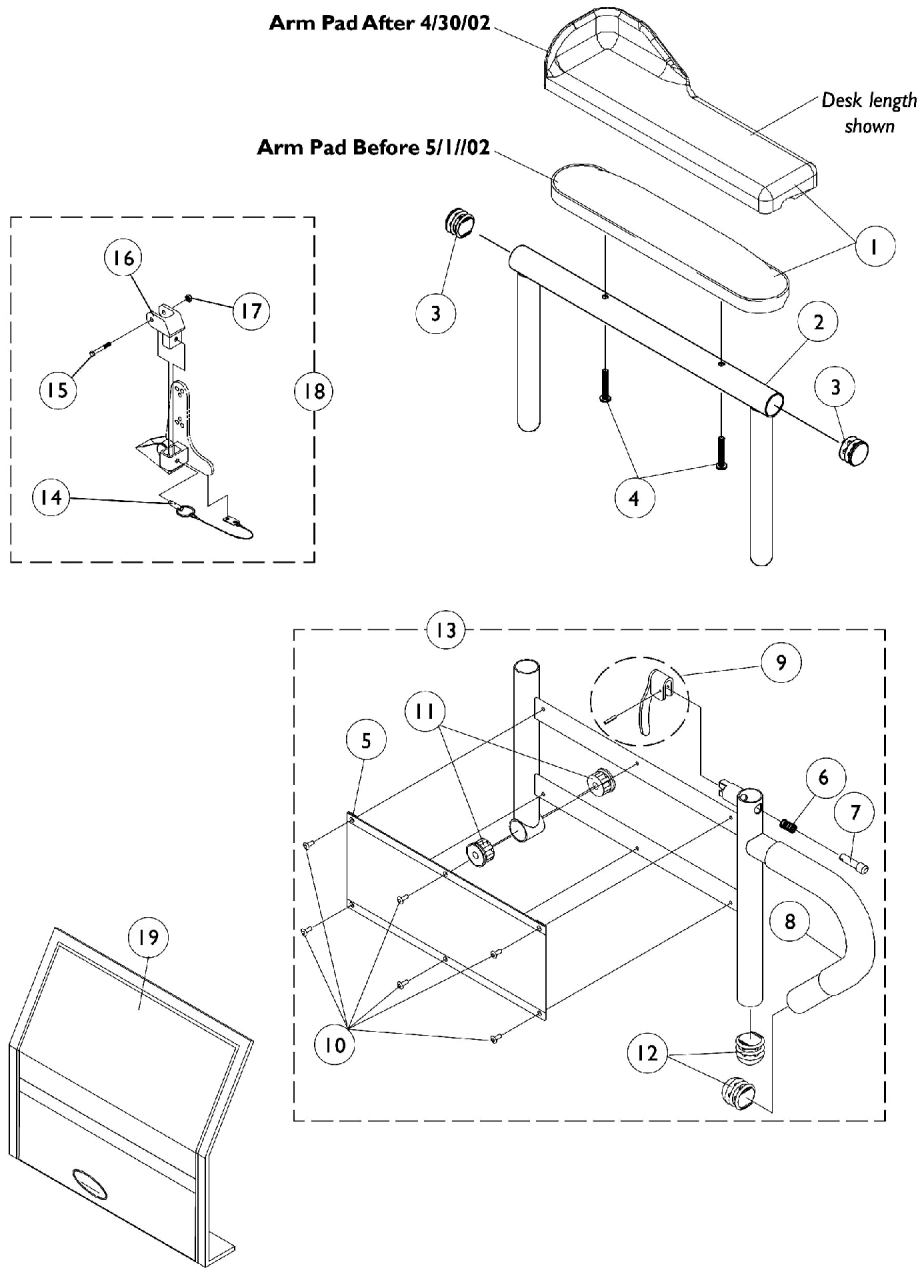


Armrest Assembly

Tilt Only (2GT)



Armrest Assembly Tilt Only (2GT)

| Item Number | Note | Part Number | Description | Quantity Per | |
|-------------|------|--------------------|---|--------------|----------|
| | | | | Package | Assembly |
| 1 | A,C | 8881011811-NL A | NLA - Pad, Arm, Vinyl, Desk Length (9" L x 2" W) | 1 | 1 |
| 1 | A,C | 8881053578 | Kit, Arm Pad w/ Screws, Desk Length (9" L x 2" W) (Pair) | 2 | 1 |
| 1 | A,C | 8881015932-NL A | NLA - Pad, Arm, Vinyl, Full Length - Right (14" L x 2" W) | 1 | 1 |
| 1 | A,C | 8881015933-NL A | NLA - Pad, Arm, Vinyl, Full Length - Left (14" L x 2" W) | 1 | 1 |
| 1 | A | 8881053577 | Kit, Arm Pad w/ Screws, Full Length (14" L x 2" W) (Pair) | 2 | 1 |
| 1 | B | 1082910 | Pad, Arm w/ Elbow Stop, Desk Length, Urethane, Black - Right (13" L x 3" W) | 1 | 1 |
| 1 | B | 1082911 | Pad, Arm w/ Elbow Stop, Desk Length, Urethane, Black - Left (13" L x 3" W) | 1 | 1 |
| 1 | B | 1090190 | Kit, Arm Pad w/ Screws and Elbow Stop, Desk Length, Urethane, Black (13" L x 3" W) (Pair) | 2 | 1 |
| 1 | B | 1082912 | Pad, Arm w/ Elbow Stop, Full Length, Urethane, Black - Right (17" L x 3" W) | 1 | 1 |
| 1 | | 1082913 | Pad, Arm w/ Elbow Stop, Full Length, Urethane, Black - Left (17" L x 3" W) | 1 | 1 |
| 1 | B | 1090191 | Kit, Arm Pad w/ Screws and Elbow Stop, Full Length, Urethane, Black (17" L x 3" W) (Pair) | 2 | 1 |
| 2 | | 1071253 | Arm Tube Assembly w/ Plug Buttons, Full Length, Black - Right/Left | 1 | 1 |
| 2 | | 1070859 | Arm Tube Assembly w/ Plug Buttons, Desk Length, Black - Right/Left | 1 | 1 |
| 3 | | 1027095 | Plug Button, Black (7/8") | 1 | 2 |
| 4 | A | 1055949 | Package, Screw, Phillips Pan Head (#10-32 x 1-3/8") | 2 | 1 |
| 4 | B | 1107155 | Screw, Phillips Pan Head Tap (#10-32 x 1-1/4") | 1 | 2 |
| 5 | | 1064130-NLA | NLA - Guard, Clothing | 1 | 1 |
| 6 | | 47471X074 | Spring, Arm Lock | 1 | 1 |
| 7 | | 1028594 | Pin, Arm Lock, Black | 1 | 1 |
| 8 | | 1032244 | Grip, Foam Hand (9" L) | 1 | 1 |
| 9 | | 1090768 | Kit, Lock Handle w/Rivets (Pair) | 2 | 1 |
| 10 | | 1028645 | Rivet | 1 | 6 |
| 11 | | 1065936 | Plug, Pivot | 1 | 2 |
| 12 | | 1067734 | Plug Button, Black (5/8") | 1 | 2 |
| 13 | | 1068416 | Arm Base Assembly, Black - Right (16-19" D) | 1 | 1 |
| 13 | | 1068417 | Arm Base Assembly, Black - Left (16-19" D) | 1 | 1 |
| 13 | | 1068418 | Arm Base Assembly, Black - Right (20" and Deeper) | 1 | 1 |
| 13 | | 1068419 | Arm Base Assembly, Black - Left (20" and Deeper) | 1 | 1 |
| 13 | | 1067761 | Arm Base Assembly, 1" Lower, Black - Right (16-19" D) | 1 | 1 |
| 13 | | 1067762 | Arm Base Assembly, 1" Lower, Black - Left (16-19" D) | 1 | 1 |
| 13 | | 1067755-NLA | NLA - Arm Base Assembly, 1" Lower, Black - Right (20" and Deeper) | 1 | 1 |

Armrest Assembly Tilt Only (2GT)

| Item Number | Note | Part Number | Description | Quantity Per | |
|---|------|-------------|--|--------------|----------|
| | | | | Package | Assembly |
| 13 | | 1067756-NLA | NLA - Arm Base Assembly, 1" Lower, Black - Left (20" and Deeper) | 1 | 1 |
| 14 | | 1068039 | Pin, Pull | 1 | 1 |
| 15 | | 1030949 | Screw, Hex Head (1/4-20 x 1-1/2") | 1 | 1 |
| 16 | | 1068025 | Clevis, Pivot | 1 | 1 |
| 17 | | 7930323-NLA | NLA - Package, Locknut (1/4-20) | 25 | 1 |
| 18 | | 1068488 | Kit, Swingaway Armrest Mounting Hardware | 1 | 1 |
| 19 | | 1035065 | Cover, Clothing Guard w/ Pocket, FXDESK & ADJFULL/ADJDESK | 1 | 1 |
| NOTE: A - Before 5/1/02 B - After 4/30/02 C - Specify U67 upholstery color when ordering. | | | | | |