



## FAMILY PRACTICE TABLES

MODELS 8870 & 8890



ASSEMBLY INSTRUCTIONS

# ASSEMBLY INSTRUCTIONS FOR FAMILY PRACTICE EXAM TABLES

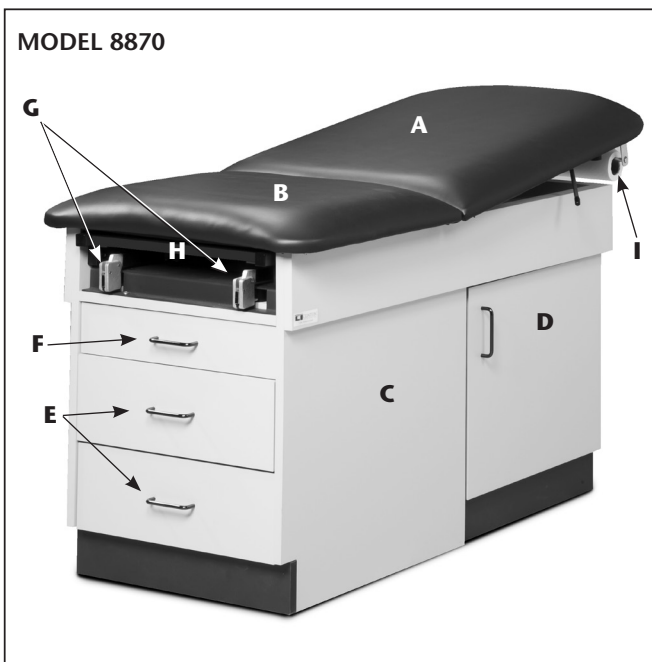
## MODELS 8870 & 8890

MAXIMUM WEIGHT CAPACITY 400 LBS 

Thank you for counting on Clinton to meet your medical equipment needs by purchasing this quality equipment. All Clinton equipment is designed and manufactured to provide years of dependable service because we want you as a customer now and in the future. Below are easy to follow instructions on how to properly assemble your equipment. Please contact us at 800-441-9131 if you experience any difficulty with the assembly or have questions.

**INTENDED USE.** Clinton Family Practice, models 8870 and 8890 are specifically designed and engineered for medical examinations use only. Persons using the table should be observed by trained medical personnel while on the table and getting off the table. Never leave anyone unattended on the table. Combination of weight and force exerted on the table is not to exceed a total of 400 lbs. Using this equipment for unintended purposes could result in damage to the equipment and serious injury.

**CAUTION:** Never sit on the pull-out leg rest or the head end of the table. The pull-out leg rest and the head end of the table are not engineered to support full body weight or excessive weight/force combination. Sitting on the leg rest and/or head end of the table could result in damage to the table and/or serious injury.



### Contents

- A. Adjustable Padded Backrest
- B. Padded seat
- C. Base
- D. Dual Entry Storage
- E. Drawer Storage
- F. (Optional Pull-Out Pan)
- G. Pull-Out Stirrups
- H. Laminate Pull-Out
- I. Paper Dispenser

### Hardware for Table

- (4) 1" Hex Head Bolts
- (8) 3/4" Pan Head Screws
- (4) 7/16" Kep® Lock Nuts
- (4) 3/4" washers
- (1) Adjustment Handle

### Tools Required

- Phillips Screwdriver/Screw Gun
- Socket Wrench

### Time Required

- 15–20 Minutes



### Contents

- A. Adjustable Padded Backrest
- B. Padded seat
- C. Base
- D. Dual Entry Storage
- E. Drawer Storage
- F. (Optional Pull-Out Pan Space)
- G. Pull-Out Stirrups
- H. Laminate Pull-Out
- I. Paper Dispenser
- J. Pull-Out Step Stool

### Hardware for Table

- (4) 1" Hex Head Bolts
- (8) 3/4" Pan Head Screws
- (4) 7/16" Kep® Lock Nuts
- (4) 3/4" washers
- (1) Adjustment Handle

### Tools Required

- Phillips Screwdriver/Screw Gun
- Socket Wrench

### Time Required

- 15–20 Minutes

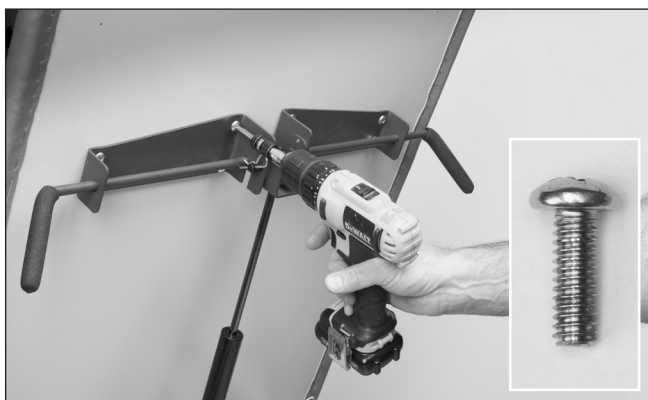
**1** Attach backrest to the table by lining up holes in hinge with the 4 protruding bolts in the center table brace. Secure the backrest with the (4) four Kep® Lock Nuts and a 7/16" socket wrench.



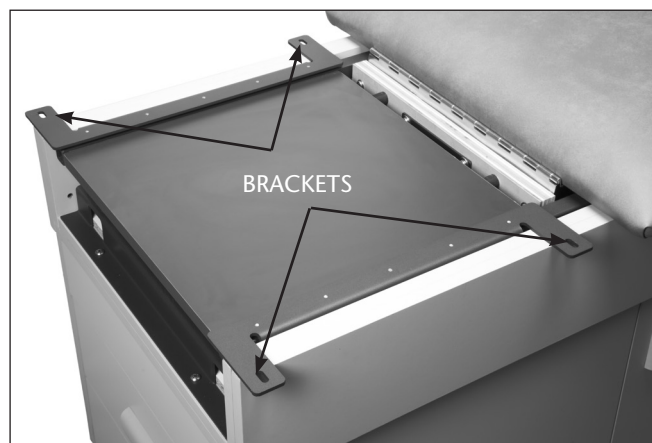
**2** Extend the pneumatic cylinder about half way by holding the apparatus with one hand and pressing down on one of the levers with the other.



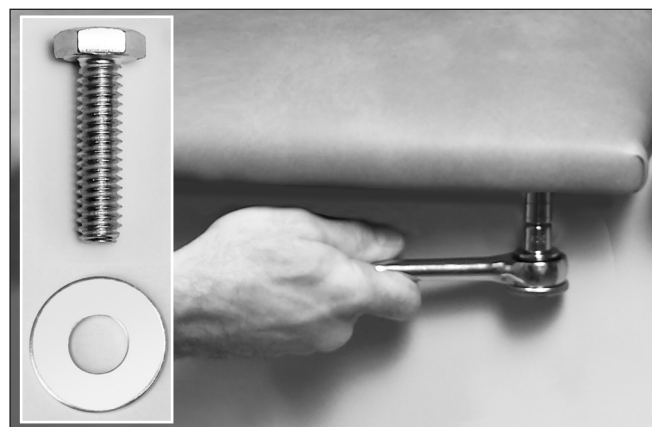
**3** Secure the pneumatic cylinder's bracket to the backrest with the (8) eight 3/4" pan head screws.



**4** Locate the seat brackets and place padded seat on top of the brackets.



**5** Secure the seat to the seat brackets using (4) four 1" hex head bolts and 3/4" washers. **DO NOT TIGHTEN ALL THE WAY.**

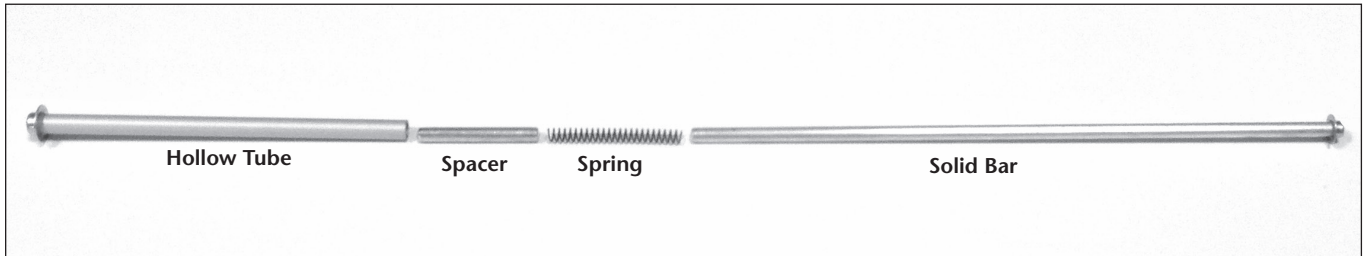


**6** Check the alignment of the seat in relationship to the backrest, slide the seat side to side to adjust if necessary.

When satisfied with the alignment, tighten the bolts from step 5 all the way, making sure the seat is in a fixed and secure position.



## ASSEMBLING AND PLACING THE PAPER DISPENSER ROD



- 1** Insert the spacer bar into the hollow tube of the dispenser bar.
- 2** Insert the spring into the hollow tube of the dispenser bar.
- 3** Assemble the rod by inserting the solid aluminum bar into the hollow bar.
- 4** Slide paper roll onto the rod and place the assembled rod into large holes on mounted "L" brackets



### *Warranty*

Clinton Industries warrants manufactured products to be free of defects in materials, workmanship or design under normal use for five years on all products, from the date of purchase. This warranty does not include damage resulting from accident, abuse or misuse, alteration, or negligence of the product and expressly excludes normal wear of parts (including but not limited to vinyl). Contact Clinton for full warranty details.



### *Care & Cleaning*

Clinton products are built to be durable. With proper care, your Clinton equipment will provide years of superior looks and performance. Before using any cleaning agents, try them on a small inconspicuous area to insure that they will not harm the any surface. Damage from cleaning is not covered under the warranty.

**Do not use alcohol based cleaning agents.** Periodically check that all fasteners are secure and operating properly.

