



CLINICAL CARE RECLINER

Item #s: D577-CHAR, D577-CHOC, D577-TAN

IMPORTANT SAFETY GUIDELINES

PERIODICALLY INSPECT ALL PARTS AND REPLACE AS NEEDED • OCCUPANT WEIGHT SHOULD NOT EXCEED 250 LBS.
CASTER WHEELS SHOULD BE LOCKED DURING OCCUPANT TRANSFER

CLINICAL CARE RECLINER



FIGURE 1

EXCESSIVE FORCE OR EFFORT IS NEVER NECESSARY TO CHANGE THE SEATING POSITION OF THE CHAIR. DO NOT OPERATE RECLINER BY APPLYING FORCE OR PRESSURE TO LEGREST.



FIGURE 2

AFTER REMOVING ALL COMPONENTS FROM THE CARTON, ENGAGE THE TWO CASTER LOCKS BEFORE BEGINNING ASSEMBLY.

Figure 2 shows location of two (2) clevis pins, two (2) ring cotter clips, one (1) bolt, and one (1) nut. Remove all above hardware from the back brace.

UPHOLSTERED BACK ASSEMBLY

Remove cardboard shipping retainers from around Gas Spring Cylinder. Rotate the hinge on the gas spring so that it is perpendicular to the upholstered back. **See Figure 3.**

Lift the upholstered back from the sides and place it horizontally with the upright back tubes resting on the recliner frame. **See Figure 4.**

Undo hook and rings on side panels, both sides so mounting holes are exposed. Align the holes on the upright back tubes of the upholstered back with the holes on the seat frame. Replace the clevis pins through the mounting holes.

Secure the two clevis pins by replacing the bridge clips.

Raise the upholstered back to vertical position. Tuck the plastic skirt at rear of upholstered back behind cross brace of seat frame. Align the hinge at the bottom of the gas spring with the holes in the “U” bracket in the seat frame cross brace. While holding the back with one hand, secure the gas spring hinge to the “U” bracket by replacing the bolt with the other hand. Secure the bolt by replacing the nut. **See Figure 5.**



FIGURE 3



FIGURE 4



FIGURE 5

INSTALLATION OF ARM SUPPORT

1. Align holes in arm support mount to mounting holes in seat frame. **See Figure 6.**
2. Insert screws through arm support mount and seat frame holes.
3. Secure screw with nut.
4. Repeat for other side.



FIGURE 6

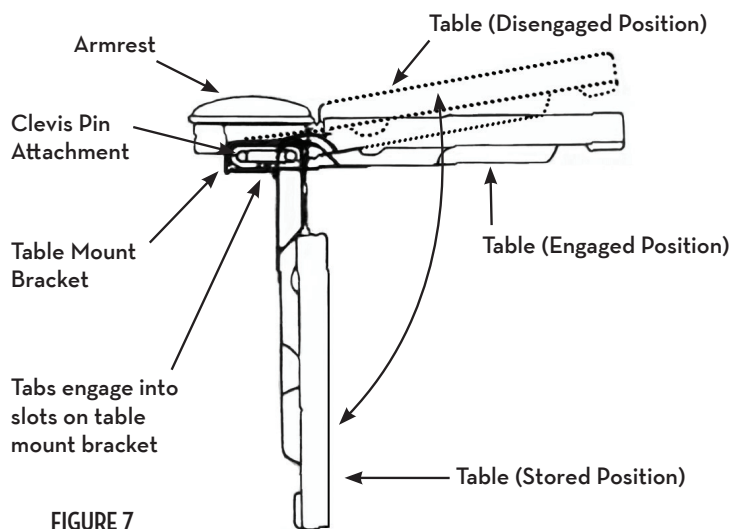


FIGURE 7

Slide Tables

To place either table in raised position: Raise table all the way up and slide in until tabs engage slots in mount bracket. Press down lightly on table to ensure lock tabs are engaged.

To return table to self-storing position: Lift table up until tabs disengage slots. Slide out and allow table to lower. **See Figure 7.**

Articulating Headrest

Articulating headrest may be adjusted to a comfortable position by pulling forward or pushing back.

Seat Positioning

Reclining by patient: To place recliner in standard seated position, recline position No. 1, or recline position No. 2. Place hands on armrest and push body against chair back. Legrest will automatically adjust to each recline position.

Reclining by attendant: Stand at either side of recliner. Grasp armrest with one hand and padded push handle with the other hand. To lower, push back on padded push handle. To raise, pull forward on padded push handle.

To return to seated position: To bring recliner back to the seated No. 1 or No. 2 position: Actuate lever, slowly guide the back up fully and release the lever. Return patient to desired position by pushing upward on padded push handle.

Shock Position

To attain shock position from any position: Grasp the push handle with one hand while actuating the lever with the other, slowly guide the back down fully and release the lever. Push articulating headrest back on the recliner.

EXCESSIVE FORCE OR EFFORT IS NEVER NECESSARY TO CHANGE THE SEATING OF THE CHAIR. DO NOT OPERATE RECLINES BY APPLYING FORCE OR PRESSURE TO LEGREST.



STANDARD SEATING POSITION



RECLINE POSITION 1



RECLINE POSITION 2



SHOCK POSITION



FIGURE 8

MAINTENANCE & CLEANING

EVERY THREE MONTHS

Check and clean casters • Tighten nuts • Check brakes on casters • Check and clean lock recline mechanism

For upholstery maintenance and stain removal, the following hints will be helpful:

Ordinary dirt: Wash with warm water and a mild soap or detergent.

Stubborn dirt: Using a soft bristle brush, follow directions above.

Ground-in dirt: Scrub with powdered cleanser or similar detergent.

Chewing gum: Scrape carefully.

Nail polish and remover: Blot immediately to prevent damage.

Ball point pen: Blot immediately with a white cloth dampened in white or mineral oil.

Waxing and refinishing: Improve wearability. Use any quality paste wax.

A diluted solution of 10% (or less) of bleach or Clorox may be used when cleaning this chair.

WARNING!

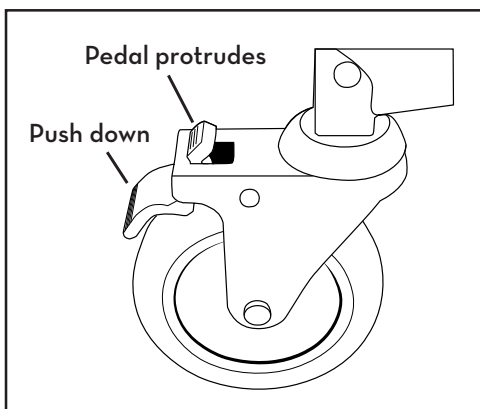
CASTERS MUST BE LOCKED EXCEPT DURING TRANSPORT

CASTER OPERATION

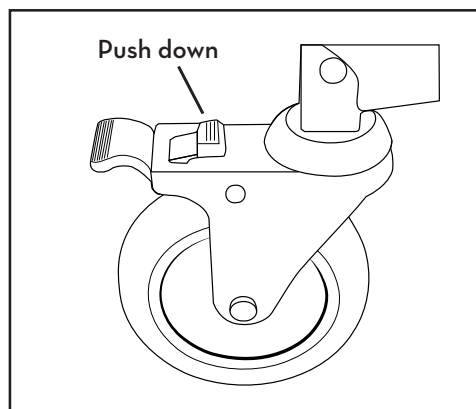
NOTE: This chair is equipped with four swivel casters for improved maneuverability. The rear casters are also equipped with locking features.

LOCK: To prevent the rear casters from turning, step on the rear pedal of the caster until the pedal engages. (Front of pedal will protrude from wheel cover).

UNLOCK: Step on the protruding front part of the pedal to disengage lock to unlatch.



To Lock




To Unlock

PARTS FOR STANDARD MODEL

D577P-1003	Hardware Pack,D574,1set/bx
D577P-1005	Recliner Release Handle
D574P-1025B	Rear Locking Caster,D574,1pr/bx
D574P-1035	Recliner Mechanism,D574,Rt.&Lf,1/bx
D574P-1048	HeadrestAdjBracket,D574/D574EW,Left,1ea
D574P-1048-R	HeadrestAdjBracket,D574/D574EW,Right,1ea
D577P-1060	Footrest Support Bar,D574,1/ea
D574P-1061	Bolt Set,Footrest Sup.Bar,1/ea
D577BACK-CHAR	BackOnly,D577-Char,1/ea
D577BACK-CHOC	BackOnly,D577-J,Choc,1/ea
D577BACK-TAN	BackOnly,D577-Tan,1/ea
D577P-1001	Recliner Cable,D577,1/ea
D577P-1004CHAR	Side Wing Pad,D577 Char,1ea
D577P-1004CHOC	Side Wing Pad,D577 Choc,1ea
D577P-1004TAN	Side Wing Pad,D577 Tan,1ea
D577P-1010CHAR	FOOTREST,D577,Char,1/ea
D577P-1010CHOC	FOOTREST,D577,Choc,1/ea
D577P-1010TAN	FOOTREST,D577,Tan,1/ea
D577P-1011	Footrest Support Bar,D577,1/ea
D577P-1012	Protecting Panel,D577,1/ea
D577P-1014	Frame Hinge Washer,D577,1/ea
D577P-1018CHAR	Armrest,Char,D577,1/ea
D577P-1018CHOC	Armrest,Choc,D577,1/ea
D577P-1018TAN	Armrest,Tan,D577,1/ea
D577P-1019	Tray Bolt,D577,1/ea
D577P-1022	Reclining Piston Release Mount,D577,1ea
D577P-1026	Front Casters,D577,1pr/bx
D577P-1050	Reclining Piston ,D577,1ea
D577P-1058	Hardware Pack,D577,1set/bx
D577P-1065	Side Table Assembly,D577,1/ea
D577P-1075	Formed Side Panels,Lft& Rt,1/bx
D577SEAT-CHAR	Seat w/Attached LegRest,Char,1ea
D577SEAT-CHOC	Seat w/Attached LegRest,Choc,1ea
D577SEAT-TAN	Seat w/Attached LegRest,Tan,1ea

*Colors: CHAR = Charcoal CHOC = Chocolate TAN = Tan

 **WARNING:** This product can expose you to chemicals, including tris(1,3-dichloro-2-propyl) phosphate (TDCPP), which is known to the State of California to cause cancer. For more information go to www.P65Warnings.ca.gov.



SUNGO Europe B.V.
Olympisch Stadion 24, 1076DE
Amsterdam, Netherlands



99 Seaview Boulevard
Port Washington, NY 11050
Toll Free: 877.224.0946
Phone: 516.998.4600
www.drivemedical.com

VER.B.5.23