

Feather™

Feather Rollator 11X - Carbon Fiber Owners Manual



Product: Feather Rollator 11X - Carbon Fiber

Sku: F-CF-11XR Brand: Feather

Congratulations on buying the World's Lightest Rollator!!

At only 11Lbs, the Feather Rollator is one of the lightest products in the world. Giving freedom of mobility has never been easier! With brand-new materials, the Feather Rollator sets a new standard for lightweight accessibility devices. Anyone can lift this rollator into a car, truck, or SUV. The rollator features a comfort seat and storage bag.



Feather™

Table of Contents

Introduction.....	2
Precautions For Safe Use.....	3
Performance And Structure.....	13
Technical Features.....	15
Assembling, Folding, And Adjusting.....	16
Use And Operation.....	20
Fault Analysis And Troubleshooting.....	24
Safety Protection Device And Accident Handling.....	24
Maintenance And Repair.....	24
Transportation And Storage.....	27
General Guidance.....	27

Feather™

Introduction

Congratulations on your purchase of the **Feather Carbon Fiber Rollator!**

It is important that you read through this manual entirely before operating your chair. You will find instructions and recommendations for easy operation of the Feather Rollator.

Read and follow all instructions, warnings, and notes in this manual before attempting to operate your rollator for the first time. If there is any information in this manual which you do not understand, or if you require additional assistance for assembly or operation, please contact your authorized local dealer. To use your product safely depends on whether you strictly follow the warnings, attentions, and operating instructions in this manual. The company shall not be responsible for any injury or damage caused by non-compliance with the warnings, attentions, and operating instructions.

These symbols below in this manual are used to identify warnings and important information. All of them are very important to your safety. It is strongly recommended that you should read and understand them completely.

Warning! Failure to heed the warnings in the manual may result in personal injury.

Attention! Failure to heed the attentions in the manual may result in damage to the rollator.

This product manual is applicable to the Feather Carbon Fiber rollator.

- 1) This product integrates advanced technology and modern style. In particular, its quick disassembly and assembly structure is very convenient for you to store or place in the trunk of your car when you travel. We are sure that the design features, excellent performance and trouble free operation of this product will ensure your daily life is more convenient.
- 2) This rollator is applicable for the disabled.
- 3) The maximum weight capacity is 300 lbs.
- 4) This product is an indoor rollator.
- 5) This product is also suitable for outdoor use, but is limited to flat road sections and cannot be driven on rough surfaces such as steep slopes and gravel roads.

We reserve the right to change and update this manual without notice.

Feather™

This manual will help you understand the functions of the rollator. In addition, operation, maintenance, and repair are described. If you have any other questions, please contact your dealer or retailer.

【Intended Use】The Rollator is equipped with wheels, it is a means for transportation for the disabled, the sick, and the infirm. This rollator is designed for persons with restricted mobility with a maximum body weight of 300 lbs for use as a walking or standing aid and rehabilitation training as well.

【Indications】To be used for the disabled, the sick and the old and infirm who have difficulty in moving.

【Contraindications】This product should not be used for those with slow reaction of the upper limbs, senile dementia, psychopath, physiology, or unable to care for oneself.

To ensure your safety and prolong the service life of this rollator, please keep, check & maintain it properly and regularly. This manual reflects the design and specifications at the time of publication. As the design changes, some illustrators and pictures in this manual may not be consistent with the products you purchased. The manufacturer reserves the right to make changes to the versions shown in this manual as a result of technical further development. The manufacturer takes no responsibility for any physical injury or property loss caused by improper or unsafe use of this product.

We hope rollator can bring greater convenience to your life.

Disclaimer

JYD Imports, HOVER, 1800 Wheelchair, or Feather Mobility, its affiliates, and partners, cannot be held responsible for personal injury or property damage that results from the unsafe or improper operation or maintenance of the Feather product and/or other JYD Imports, HOVER, or 1800 Wheelchair products purchased.

From time to time, our product development and engineering team will make design updates for this product. We reserve the right to make such changes when deemed necessary to improve on the design or to add value. As a result, there could be minor differences between the product that you have purchased and the photos, illustrations and instructions in this manual.

Feather™

Performance And Structure

The carbon fiber frame is made by an integrated die casting process, creating a high strength and lightweight material. The handle heights allow for adjustment to 3 positions. The Seat height adjustment allows adjustments to 4 positions.

The rollator comes with an exquisite design and elegant appearance, including an ergonomic design of the seat that provides sufficient comfort for users. The functions of folding provides more convenience for packaging, transportation and storage.

The rollator can be folded easily and the handles can be adjusted to the desired height.

Pull both brake levers upwards to apply the brakes while the rollator is moving, otherwise press both brake levers downwards to engage the parking brake.

This rollator is designed for persons with restricted mobility with a maximum body weight of 300 lbs for use as a walking or standing aid and rehabilitation training as well.

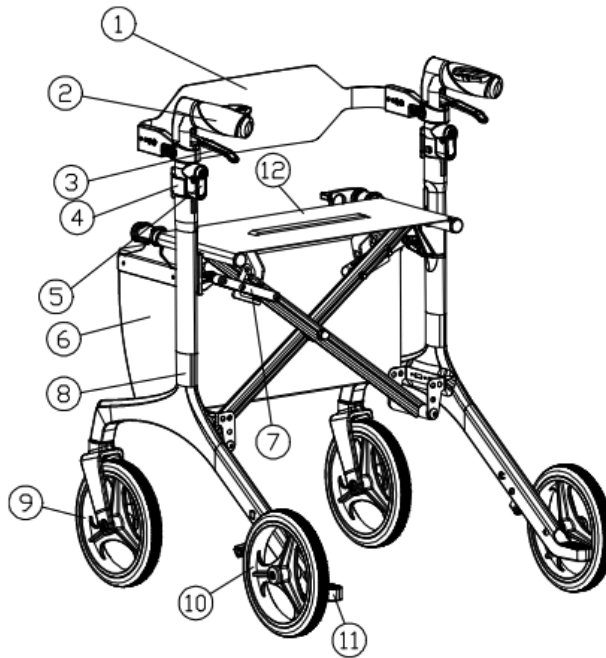


Feather™

Parts List

The rollator consists of a handle, brake lever, handle adjustment mechanism, wheels, seat height adjustment mechanism, brakes, folding mechanism, and seat mesh.

- | | | | |
|----------------------------------|----------------|----------------------|--------------------------------|
| 1. Back strap | 2. Handle | 3. Brake lever | 4. Handle adjustment mechanism |
| 5. Handle adjustment push-button | 6. Storage bag | 7. Folding mechanism | |
| 8. Main frame | 9. Front wheel | 10. Rear wheel | 11. Curb climber |
| | | | 12. Seat mesh |



Feather™

Precautions For Safe Use

Instructions before use.

- 1) Don't operate the rollator until you have read the instructions.
- 2) The total weight of people and things shall not exceed the maximum allowable load.
- 3) Don't exceed the maximum allowable gradient.
- 4) Don't go uphill or downhill at maximum speed, otherwise there is danger of rolling over.
- 5) Don't drive on very smooth or soft surfaces, such as smooth tiles, mud, sand, grass.
- 6) Don't drive on slopes without guardrails.
- 7) Don't drive on the motorway.
- 8) Don't turn or drive sideways on ramps, otherwise there is danger of overturning.
- 9) Don't turn or drive laterally on the ramp, or you may roll over. Do not reverse on the ramp, or you may roll over.
- 10) Don't climb above the maximum permissible barrier height.
- 11) Please pay attention and don't be distracted when operating the rollator.
- 12) Please take the pedestrian crossing when crossing the road.
- 13) If the rollator is not used for a long time, it should be folded and stored in a dry and ventilated place.
- 14) The rollator should not be stored in high temperatures and humidity.
- 15) Pay attention when in use.
- 16) This rollator can drive on good flat surfaces; do not drive on muddy, rugged, soft, narrow, icy roads, or bad roads such as dangerous roads without guardrails or waterways.
- 17) This rollator has the certain ability of groove obstacle, at this time you should reduce the speed and travel slowly.
- 18) Indications for use: The Feather rollator is an indoor and outdoor transportation device with the intended use to provide convenience for disabled and elderly individuals with limited mobility. This product is suitable for disabled people and elderly people with limited mobility.

This product is designed and produced solely for a single end user with a maximum weight of 300lbs. It is not intended for transport of goods or to be used as a wheelchair. The rollator will compensate for the lack of adequate support by the legs by leaning on or moving with usage of the upper limbs or chest. The rollator will provide better stability, support, and safety during walking.

Feather™

Do not hang anything on the handle or the other parts to this product. The max load capacity for a storage bag is 10lbs, there may be some risks when the maximum weight is exceeded.

Make sure the rollator is unfolded in place. It is recommended to consult your doctor, physiotherapist, or occupational therapist to determine whether you are suitable for the operation of this product.

The rollator can be used indoor and outdoor, which only be used on surfaces where all four wheels are touching the ground. Do not use the rollator on rocky, bumpy or sandy terrain, or places with a steep inclination. These special terrains will affect the body balance and safety.

The rollator only provides support to your legs when walking. Please do not use this rollator if physical restrictions like weak arms, central vestibular disequilibrium syndrome, visual impairment, and extremity loss are experienced. The warranty of this product is based on the normal use and maintenance described in this manual. It does not cover device failure due to owner's misuse or negligence maintenance.

Please pay attention to the road conditions at all times and ensure there is no obstacle in front of you when using the rollator.

Make sure both brakes are in parking mode once using the rollator as Stand Assist. Please hold the handles with both hands when using. Please be aware that some parts of the rollator may become very hot or cold due to factors like solar radiation. Please be careful when touching any metal components. Please check whether the handle adjustment mechanism is properly locked and the handle is reliable before using the rollator.

Using the rollator with wet hands may cause your body out of control and loss of balance. Do not use the rollator in motorways at any time. Please note that the proper care and maintenance of the rollator can prolong its service life. But defective or neglected care and maintenance of the rollator limits liability.

Keep the rollator in a dry environment when transportation and storage. The rollator must be packaged for storage to protect against corrosion and foreign matter like salt water, sea water and air, sand, and dust. Do not store other objects on the rollator. This will prevent damage caused by long-term weight on the materials and frame.

Feather™

WARNING! Please read carefully and follow the instructions in this manual so that you are using the rollator in the correct way to avoid physical injury or damage.

WARNING! Please observe the WARNINGS below to avoid any damage or injury resulting from improper use of your rollator. The rollator user is responsible for taking proper safety measures. We will not be liable for personal injury and/or product damage resulting from improper use of the rollator. Obey all local pedestrian traffic rules. It may be difficult for others to see you when you are seated in your rollator. Wait until your path is clear of traffic, and then proceed with extreme caution.

ATTENTION: Use of safety devices such as reflectors, reflective clothing, lights, and safety symbols is very important for your safety while driving.

WARNING! NEVER try a new maneuver on your own, out of the manual stated.

WARNING! Do not use the rollator other than for its original purpose. Avoid any use, such as weight training, sports and athletics, hauling, moving, or towing anything, that may lead to safety hazards and undue stress on the rollator.

WARNING! We strongly recommend that you do not smoke cigarettes while seated on your rollator. You must adhere to the following safety guidelines if you decide to do so: Keep ashtrays a safe distance from the seat cushions. Always make sure cigarettes are completely extinguished before disposal.

Feather™

Product Specifications

Weight Capacity	300 lbs
Product Weight	11 lbs
Recommended User Height	5'2" to 6'3"
Overall Width	23.5" to 25"
Overall Depth	26.5" to 28"
Overall Height	31" to 40"
Folded Width	10"
Folded Depth	27"
Folded Height	32"
All Wheel Size	8"
Wheel Material	Solid, Polyurethane, No Fill
Brakes	Manual, lock in place
Minimum Turning Diameter	60"
Distance Between Handles	17.5" to 20"
Width of Handle Sleeve	2"
Seat Material	Oxford Mesh
Frame Material	Carbon Fiber



Feather™

Assembling, Folding, And Adjusting

- 1) Take out the rollator from its box, and adjust the handle to the highest position before unfolding this product. Press both brake levers downwards to “Parking” mode. Open the handle adjustment mechanism as shown on.



- 2) Press and hold the handle adjustment push-button until the numerical marking appears and a “click” is heard to adjust the handle height. (Different numerical markings represent different heights, adjust as needed)

Feather™

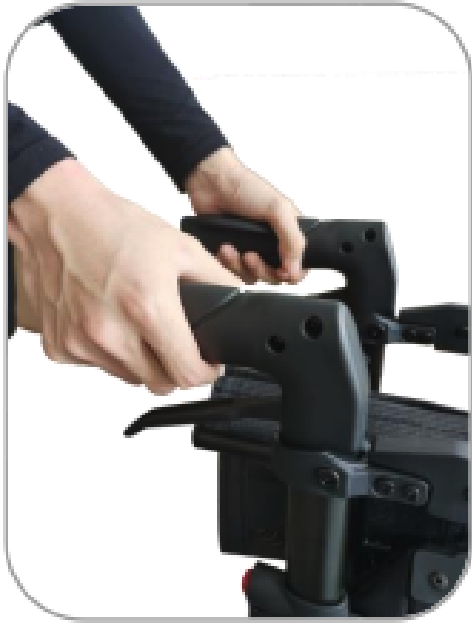
3) Close the handle adjustment mechanism as shown in the image.



4) Unfolding the Rollator – Lift the security hook up.



5) Pull the handles outwards.

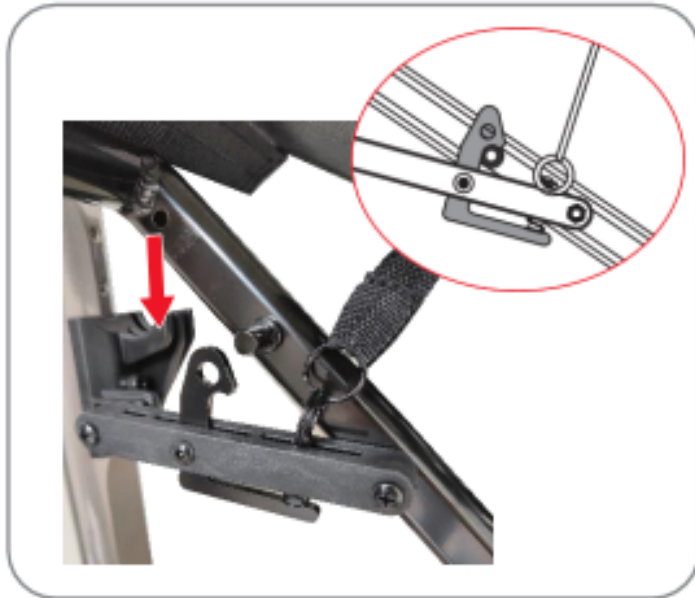


6) Push downwards on the outer rails of the seat until you hear a significant click from the locking mechanism. Right now, the seat crossbar is fully locked.



Feather™

- 7) Check whether the upper tube of the crossbar on the seat is completely pushed into the groove of the seat fixing frame. Confirm the hook on the locking mechanism is completely clamped into the locking shaft.



Feather™

. Press down the brake lever of rollator to the parking mode as shown in Fig.4-9.



Fig 4-9

b. Hold the handle slightly with your left hand, and lift the seat strap to release the locking mechanism. (See Fig.4-10)



Fig 4-10



Feather™

c. Hold and push the handle towards each other until the rollator is completely folded just as shown in Fig. 4-11.



Fig 4-11

d. Press and hold the handle adjustment push-button to lower the handle height (see Fig.4-12.)



Fig 4-12

e. Close the handle adjustment mechanism as shown on Fig 4-13.

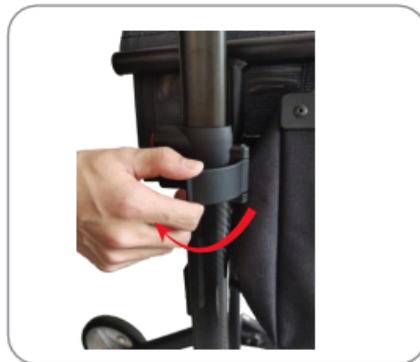


Fig 4-13

Feather™

Press the security hook down until it snaps into the cross bar from the seat.



Attaching and Removing the Back Strap

4.3.1 Removal

- a. Hold both ends of the back strap with both hands as shown in Figure 4-16 and lift it upwards to remove the back strap.



Fig 4-16

4.3.2 Attachment

- a. Hold both ends of the back strap with both hands and align the bolt with the hole on clamping block, then press down to attach the back strap, as shown in Figs 4-17 and 4-18.

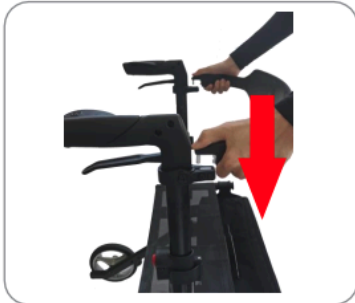


Fig 4-17



Fig 4-18

Attaching and Removing the Storage Bag

4.4.1 Removal

- a. Rotate the hook clockwise to remove the storage bag. (See Fig.4-19).



Fig 4-19

4.4.2 Attachment

- a. Hang the hooks on both ends of the storage bag to the frame, and use both hands to press down the hooks until a "click" is heard and they are fully attached to the frame. See Figs. 4-20 and 4-21.



Fig 4-20



Fig 4-21

Feather™

Sitting Down, Standing Up, and Walking Modes

Push down the brake lever to engage the parking brake, and the user can sit on the rollator for rest. When the end user needs to stand and take some rest, please push down on the brake lever to engage the parking brake or pull both brake levers upwards to manually apply the brakes. This moment, the user shall hold the handle with both hands and stand in the middle of the rollator as shown.

Once the brake levers are released, position yourself in the middle of the rollator, hold the handle properly, and step forward with the rollator close to your body.

WARNING! Make sure that both brake levers are in parking mode before sitting down. Also make sure both brake levers are in parking mode or squeeze the brake levers for clicking the brake on if standing and taking some rests are needed.



Feather™

Parking and Braking

To put the Rollator Brakes in PARK MODE – Push down the brake lever to engage the parking brake. An audible sound “click” indicates that the brake is in the correct position.



To put the Rollator Brakes in BRAKE MODE – Squeeze the brake lever with four fingers to slow down the rollator or turn the quick brake on. Release the brake handle to start the walking mode.

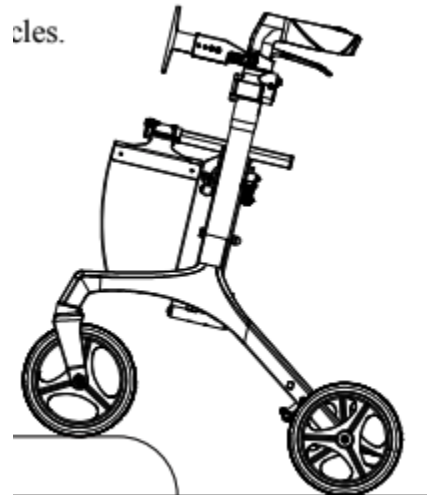
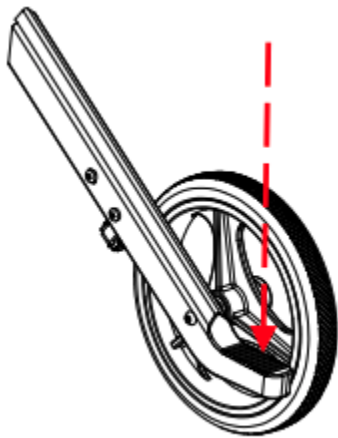


Feather™

Curb Climber

A curb climber is fitted onto each rear wheel of the rollator, which is used to overcome obstacles such as curbs and thresholds. Keep both hands on the handles, stand steadily, and place foot onto the curb climber to lift the front wheels of the rollator. Keep the rollator in that position and move slowly forward until the front wheels are on the curb. Then step on the curb and continue moving once the rollator is stable.

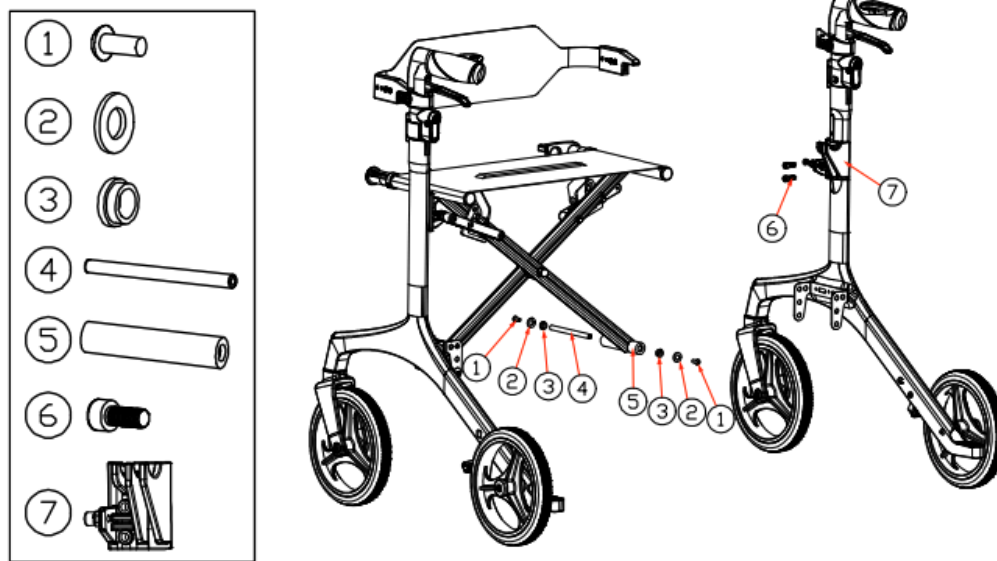
WARNING! Be aware that the stability of the rollator changes when it is reclined. Be cautious and try to bypass rather than climb high obstacles.



Seat Height Adjustment

To accommodate end users with different heights, three options are available to adjust the seat to fit. The adjustment steps:

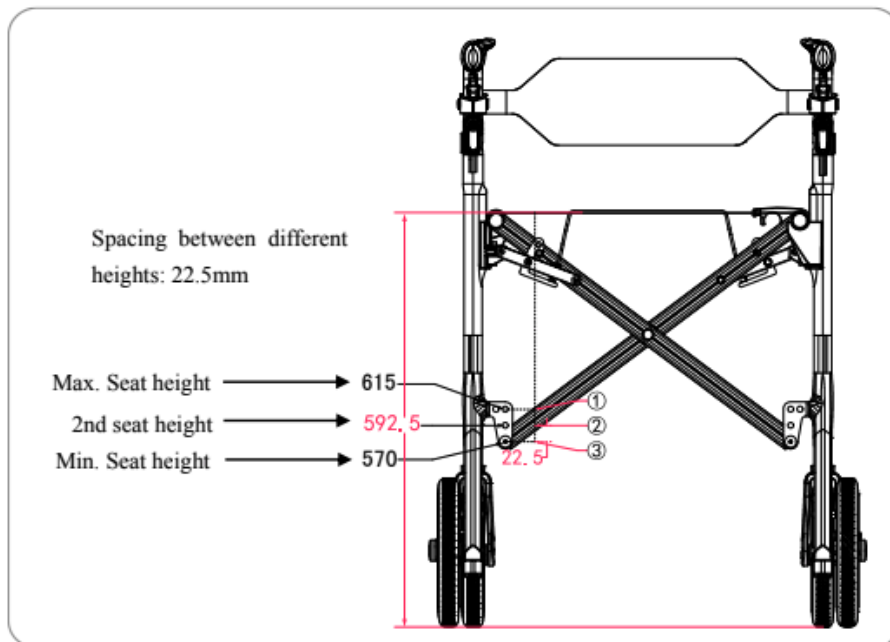
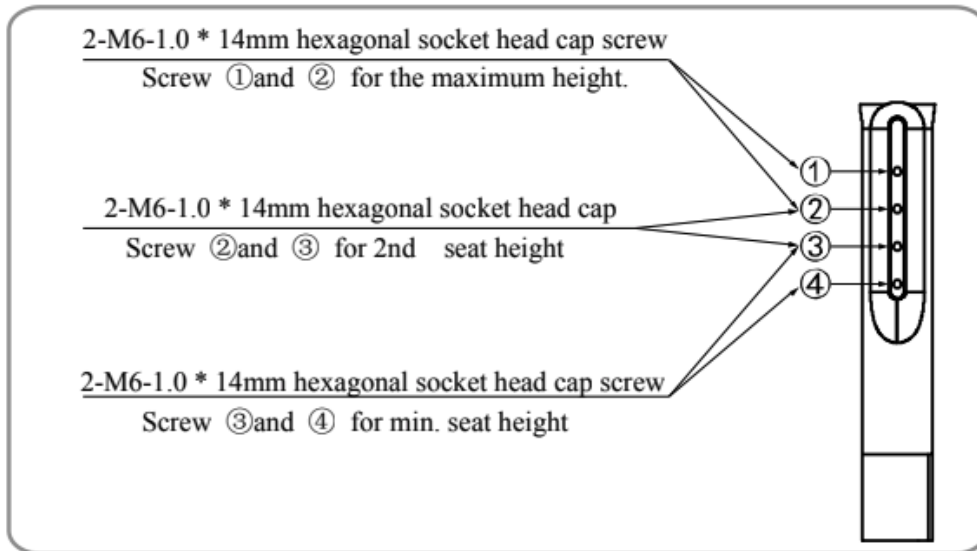
- a. Remove the parts ①②③ with set-up kit.
- b. Then remove the part ⑥.
- c. Move the parts ⑤⑦ upwards or downwards to your desired height, then fix them with screw.



No.	DWG No.	Description	Q' ty
1	N/A	Hexagon socket pan head screw M5 * 12, black zinc	4
2	N/A	Flat washer M5 black zinc	4
3	N/A	Flange sleeve POM black	4
4	HR202-18	Lower shaft Q235 φ 8.0 * 104mm electrophoresis is black	2
5	HR201-01-03	Lower side bracket Q235	2
6	N/A	Hexagon socket head cap screw M6*14, Nylok, black zinc	4
7	HR201-09	Side bracket PA6+15% GF, black, Texture: MT11020	2



Feather™



Note: The rollator is always set with min. seat height as their default setting.



Feather™

Care and Cleaning

The seat mesh and backrest strap can be cleaned with water and neutral detergent once a week. For any of the painted parts, wipe them once a week with a clean cloth.

Use a cloth with rubbing alcohol to wipe the handles once a week and wipe them immediately with a dry cloth to fully disinfect the unit.

Do not use high-pressure cleaners for cleaning purposes, and do not splash water onto the rollator. Do not use volatile chemical solvents, such as high concentration alcohol, strong acid, or chlorinated hydrocarbons to clean the rollator. Do not use banana oil, gasoline, kerosene and wax to clean the unit at any time.

After cleaning and disinfection, ensure all parts are completely dry to preserve their quality.

Clean the storage bag and seat back mesh materials by hand washing only with warm water. Do not use a laundry cycle, do not dry in a drying machine, do not iron, do not bleach. Additionally, do not dry clean these elements or use detergent on these materials as that can cause damage.

Notice to Caretakers

Make sure that you pay careful attention to all warnings and follow all instructions in each section of this manual. (Be aware that warnings that apply to the rider will also apply to you).

It is important that you pay close attention to all warnings in this section. If you fail to do so, you may fall, tip over or lose control resulting in severe injury to yourself or others.

Feather™

Maintenance And Repair

Like other DME products, your rollator also requires routine maintenance. Some checks can be performed by yourself, others you can ask for assistance from your service agent. Preventive maintenance is very important. If you follow the maintenance and checks in this section, your rollator will give you years of trouble-free operation. For any questions regarding the maintenance or operation of the rollator, please contact your dealer or the service department.

Your rollator, like most electrical and mechanical equipment, is susceptible to external conditions. In all cases, the rollator should not be used in a damp environment. Direct or prolonged exposure to water or dampness could cause the rollator to malfunction. Some parts of your rollator are susceptible to temperature. In extremely cold temperatures, elements may become frozen. Special temperatures may cause a lot of factors to freeze and not perform correctly. Avoid prolonged exposure of your rollator to extreme conditions, as hot, cold, or wet environments.

Check all cable connections. Make ensure they are fastened and are not corroded. All wheel bearings are lubricated and sealed. Do not need to lubricate them. Check if there are any loose connections in the wheel hub, drive device, and rollator itself, if loose, please re-secure if found.

ATTENTION! In order to ensure the quality of your product, during the maintenance, if any consumable parts need to be replaced, please contact this company or dealer, replacing the original parts of the same model and specification

Modifications

The manufacturer has designed and engineered your rollator to provide maximum mobility and utility. A wide range of accessories items are available from your authorized provider to customize your product and to better suit your needs and preferences. However, under no circumstances should you modify, add, remove, or disable any feature, part, or function of your rollator.

WARNING! Do not modify your rollator in any way not authorized by the manufacturer. Do not use accessories if they have not been tested or approved for your specific rollator.

Feather™

Pre-Ride Safety Check

Get to know the feel of your rollator and its capabilities. The manufacturer recommends that you perform a safety check before each use to make sure your rollator operates smoothly and safely. Before operating your rollator you should be trained in the safe use of this product by your authorized provider.

Perform the following inspections prior to using your rollator.

- Check all wheels are in full operating condition and free from dings, erosions, and are making full contact with the ground.
- Check all hand brakes.

Weight Limit

- Never exceed the product weight capacity of 300 lbs for the rider plus any additional items.
- Exceeding the product weight limit is likely to damage the seat, frame, or fasteners and may cause severe injury to you or others.
- Exceeding the weight limit will void the warranty of this product.

MANDATORY! Stay within the specified weight capacity of your rollator. Exceeding the product's weight capacity will void your warranty. The manufacturer will not be held responsible for injuries and/or property damage resulting from failure to observe weight limitations.

WARNING! Do not carry passengers in your rollator. Carrying passengers on your rollator is exceedingly dangerous and may affect the center of gravity, resulting in a tip or a fall.

WARNING! Do not carry baggage weighing more than 10 lbs (4.5 kg) on the back of the rollator. Carrying or tying baggage in excess of 10 lbs. (4.5 kg) on the back of the rollator may affect the center of gravity, resulting in a tip or a fall.

Feather™

Tie Down System

This Feather product is not approved to be used with any tie down system, and is not authorized to be used to transport a seated user in a motor vehicle. Your rollator was designed to be folded and stored in a secure location, such as the trunk of a car, during motor vehicle transport. In addition, all removable rollator parts, including the armrests, seat back, and storage bag should be removed and/or properly secured during movement.

- Never sit in this Feather product while in a moving vehicle. In an accident or sudden stop you may be forced out of the rollator from the impact.
- Never transport this Feather product in the front seat of a vehicle. It may interfere with driving.
- Always secure this Feather product, with no one sitting in it, so that it cannot roll or shift.

WARNING! Do not sit on your rollator while it is in a moving vehicle.

WARNING! When cornering sharply, reduce your speed and maintain a stable center of gravity. This greatly reduces the possibility of a tip or fall.

Cornering Information

While your rollator is equipped with front caster wheels, excessively high cornering speeds can still create the possibility of tipping. Factors which affect the possibility of tipping include, but are not limited to: cornering speed, steering angle (how sharply you are turning), uneven road surfaces, inclined road surfaces, riding from an area of low traction to an area of high traction (such as passing from a grassy area to a paved area – especially at high speed while turning), and abrupt directional changes. If you feel that you may tip over in a corner, reduce your speed and steering angle (ie, lessen the sharpness of the turn) to prevent your rollator from tipping over.

Public Streets and Roadways

WARNING! You should not operate your rollator on public streets or roadways. Be aware that it may be difficult for traffic to see you when you are seated on your rollator. Obey all local pedestrian traffic rules. Wait until your path is clear of traffic and then proceed with caution.

Feather™

Incline Information

More and more buildings have ramps with specified degrees of inclination, designed for easy and safe access. Some ramps may have turning switchbacks (180 degree turns) that require you to have good cornering skills on your rollator.

- Proceed with extreme caution as you approach the downgrade of a ramp or other incline.
- Take wide swings with your rollator's front wheels around any tight corners. If you do that, the rollator's rear wheels will follow a wide arc, not cut the corner short, and not bump into or get hung up on any railing corners.
- When operating down a ramp, proceed slowly to ensure a safely controlled descent.
- Avoid sudden stops and starts.

When climbing an incline, try to keep your rollator moving. If you must stop, start up again slowly and accelerate cautiously. When operating down an incline, proceed slowly. If your rollator starts to move down the incline faster than you anticipated or desired, bring it to a complete stop using both hands, then proceed slowly to ensure a safely controlled descent.

WARNING! When on any sort of an incline or decline, never allow the rollator to roll freely while seated on it or standing next to it.

WARNING! When climbing an incline, do not zigzag or drive at an angle up the face of the incline. Operate your rollator straight up the incline. This greatly reduces the possibility of a tip or a fall. Always exercise extreme caution when negotiating an incline.

WARNING! You should not travel up or down a potentially hazardous incline (ie areas covered with snow, ice, cut grass, or wet leaves)

WARNING! Never travel down an incline backward. Doing so may cause the rollator to tip over. Always exercise extreme caution when negotiating an incline.

Feather™

Outdoor Driving Surfaces

Your rollator is designed to provide optimum stability under normal driving conditions, which are dry, level surfaces composed of concrete, blacktop, or asphalt. However, the manufacturer recognizes that there will be times when you will encounter other surface types. For this reason, your rollator is designed to perform admirably on packed soil, grass, and gravel. Feel free to use your rollator safely on flat lawns and in park areas.

- Avoid driving on uneven terrain and/or soft surfaces.
- Avoid tall grass that can entangle the wheel spokes.
- Avoid loosely packed gravel and sand.
- Avoid uneven surfaces.
- Do not use your rollator in any water mass, fresh water, or saltwater.
- Do not use your rollator at the edge of any stream, lake, ocean, or body of water.
- If you feel unsure about a driving surface, avoid that surface.

Inclement Weather Precautions

Exposure of your rollator to inclement weather conditions should be avoided whenever possible. If while operating the rollator, you are caught in sudden rain, snow, severe cold, or heat, proceed to shelter at the earliest opportunity. Thoroughly dry your rollator and inspect for damage to all components before storing or resuming use of this product.

WARNING! Operating in rain, snow, salt, mist or spray conditions, and on icy or slippery surfaces can have an adverse affect on your rollator. Always maintain and store your rollator in a dry and clean condition.

WARNING! Prolonged exposure to hot or cold conditions may affect the temperature of upholstered and non-upholstered items on the rollator, possibly resulting in skin irritation. Exercise caution when using the rollator in extremely hot or cold conditions or when exposing your rollator to direct sunlight for prolonged periods of time.

WARNING! Never reach, lean, or bend while seated in your rollator. It is important to maintain a stable center of gravity and keep the rollator from tipping over. Never reach down between your knees or over the back of the seat as these movements can change your center of gravity and the weight distribution of the rollator. This may cause your rollator to tip over.

Feather™

WARNING! Consult your physician if you are taking prescribed or over-the-counter medication or if you have certain physical limitations. Some medications and limitations may impair your ability to operate your rollator in a safe manner.

WARNING! Do not operate your rollator while you are under the influence of alcohol, as this may impair your ability to operate your rollator in a safe manner.

WARNING! The manufacturer strongly recommends that you do not smoke cigarettes while seated in your rollator, although your rollator has passed the necessary testing requirements for cigarette smoking, it is unsafe to smoke while operating your rollator.

Service Checks

WARNING! Never service or repair the rollator when the seat is occupied or in use.

It is important to perform regular safety checks in order to maintain the life and quality of the rollator and ensure your product is functioning properly.

- Check for loose or missing screws, nuts, and bolts. Replace or tighten them as necessary.
- Check for flat spots on solid tires. Flat spots could adversely affect stability.
- Check all manual wheel locks and brakes. Make sure they are working properly.
- Check the caster forks for damage or fluttering which indicates that they may need to be adjusted or have the bearings replaced.

Keep your rollator clean and free of foreign material, such as mud, dirt, hair, food, and drink.

Feather™



Feather™

Warranty Information

The Feather rollator comes with a limited warranty and the following coverage:

- **Frame:** The manufacturer covers the frame of its mobility device under normal use for a five year (5 years) limited warranty period. The manufacturer will at its sole discretion, repair or replace, any warrantable frame that fails within the warranty period.
- **Wearable Parts:** The manufacturer will at its sole discretion, repair or replace, any wearable parts for a period up to 6 months.

The warranties herein specified shall not apply if the failure of any component of this product to satisfy such warranty is due to accident, neglect, misuse, improper transportation arranged by the purchaser or its agent, or causes other than ordinary use including operation contrary to the manufacturer's operating instructions or if any person other than the manufacturer's authorized personnel shall modify, adjust, or repair such product or perform any related service on it. It must be understood that the purchaser assumes full responsibility for the overall safe operation in the environment for which the product is intended to function.

Warranty Exclusions

The manufacturer will not be responsible for,

- Repairs or modifications made to any part or section of the rollator product without specific prior written consent from the manufacturer.
- Circumstances beyond the control of the manufacturer.
- And fees associated with or caused by service, labor, service calls, shipping, or other charges incurred for repair of the product unless specifically authorized in advance by the manufacturer.
- Any damage caused by: abuse, misuse, accident, or negligence of the rollator product; improper operation, maintenance, or storage of the rollator product; or any commercial use of the product.

Official Feather Parts

The hardware and parts of your Feather product are specially designed, high-strength items. Replacing any hardware or rollator components with non-approved parts may result in faulty operation of your Feather product and may cause harm to the end user. Using non-official brand parts or making unauthorized changes to a Feather product will void the product warranty.

Thank you for your purchase!!

Feather™

See the complete line at [FeatherMobility.com](https://feathermobility.com)

Feather – the World's Lightest Wheelchairs and Scooters

<https://feathermobility.com>



Feather



Feather



Feather



Feather

