

Portable Patient Lift and Sling

DEALER: This manual **MUST** be given to the user of the patient lift.

USER: **BEFORE** using this patient lift, read this manual and save for future reference.

For more information regarding
Invacare products, parts, and services,
please visit www.invacare.com



Yes, you can.®

⚠ WARNING

A QUALIFIED TECHNICIAN MUST PERFORM THE INITIAL SET UP OF THIS LIFT. ALSO, A QUALIFIED TECHNICIAN MUST PERFORM ALL PROCEDURES IN THE SERVICE MANUAL.

DEALERS AND QUALIFIED TECHNICIANS: DO NOT SERVICE OR OPERATE THIS EQUIPMENT WITHOUT FIRST READING AND UNDERSTANDING THE OWNER'S OPERATOR AND MAINTENANCE MANUAL, THE SERVICE MANUAL (IF APPLICABLE) AND THE SEATING SYSTEM'S MANUAL (IF APPLICABLE). IF YOU ARE UNABLE TO UNDERSTAND THE WARNINGS, CAUTIONS AND INSTRUCTIONS, CONTACT INVACARE TECHNICAL SUPPORT BEFORE ATTEMPTING TO SERVICE OR OPERATE THIS EQUIPMENT - OTHERWISE, INJURY OR DAMAGE MAY RESULT.

NOTE: Updated versions of this manual are available on www.invacare.com.

TABLE OF CONTENTS

REGISTER YOUR PRODUCT	4
LABEL LOCATION	7
Models 9805 and 9805P	7
SPECIAL NOTES	8
TYPICAL PRODUCT PARAMETERS	9
SECTION 1—GENERAL GUIDELINES	10
Assembling the Lift	10
Operating the Lift	10
Using the Sling	11
Lifting the Patient	11
Transferring the Patient	12
Performing Maintenance	12
SECTION 2—FEATURES	13
Hydraulic Lifts	13
Patient Slings	13
Model Nos. 9042, 9043, 9046 and 9047 Slings	14
SECTION 3—HANDLING	15
Shipping and Transportation Instructions	15
Unpacking	15
Inspection	15
Storage	15
SECTION 4—ASSEMBLY	16
Assembly of the Patient Lift	16
Base, Mast and Boom Assembly	16
Base Shifter Handle Assembly	18
Swivel Bar Attachment with Mounting Bracket	18
SECTION 5—ONE-PIECE CONTOUR SLINGS	19
Slings Using Chains, O-rings and D-rings	19
Fabric	19
Body	19
Positioning the Contour Sling	20
Positioning the Patient on the Sling	21
SECTION 6—ATTACHING SLING HARDWARE	23
Attaching the Sling Hardware	23
Inserting the Four Metal Support Bars into the Sling	23
Attaching the Chains or Adjustable Straps to the Sling	24

TABLE OF CONTENTS

SECTION 7—OPERATION	26
Operating the Patient Lift.....	26
Opening the Legs of the Adjustable Base.....	26
Raising/Lowering Model Hydraulic Lifts.....	27
Raising the Lift 27	
Lowering the Lift 28	
SECTION 8—LIFTING THE PATIENT	29
SECTION 9—BATHROOM	32
Transferring Patient for Use of Commode Chair or Standard Commode	32
Transferring to a Commode Chair.....	32
Transferring to a Standard Commode.....	33
Bathing.....	34
SECTION 10—TRANSFERRING	35
Transferring to a Wheelchair	35
Transferring to a Car.....	37
Transferring from a Car to a Wheelchair.....	39
SECTION 11—CARE AND MAINTENANCE	41
Hydraulic Pump.....	41
Lubrication	41
Wear and Damage	42
Cleaning	42
Maintenance Safety Inspection Checklist.....	43
LIMITED WARRANTY	44

REGISTER YOUR PRODUCT

The benefits of registering:

1. Safeguard your investment.
2. Ensure long term maintenance and servicing of your purchase.
3. Receive updates with product information, maintenance tips, and industry news.
4. Invacare can contact you or your provider, if servicing is needed on your product.
5. It will enable Invacare to improve product designs based on your input and needs.

Register ONLINE at www.invacare.com

- or -

Complete and mail the form on the next page

Any registration information you submit will be used by Invacare Corporation only, and protected as required by applicable laws and regulations.



PRODUCT REGISTRATION FORM

Register **ONLINE** at www.invacare.com - or -
Complete and mail this form

Name _____

Address _____

City _____ State/Province _____

Zip/Postal Code _____

Email _____ Phone No. _____

Fold
here

Invacare Model No. _____ Serial No. _____

Purchased From _____ Date of Purchase: _____

1. Method of purchase: (check all that apply)

Medicare Insurance Medicaid Other _____

2. This product was purchased for use by: (check one)

Self Parent Spouse Other

3. Product was purchased for use at:

Home Facility Other

4. I purchased an Invacare product because:

Price Features (list features) _____

5. Who referred you to Invacare products? (check all that apply)

Doctor Therapist Friend Relative Dealer/Provider Other _____

Advertisement (circle one): TV, Radio, Magazine, Newspaper No Referral _____

6. What additional features, if any, would you like to see on this product?

Fold
here

7. Would you like information sent to you about Invacare products that may be available for a particular medical condition? Yes No

If yes, please list any condition(s) here and we will send you information by email and/or mail about any available Invacare products that may help treat, care for or manage such condition(s):

8. Would you like to receive updated information via email or regular mail about the Invacare home medical products sold by Invacare's dealers? Yes No

9. What would you like to see on the Invacare website?

10. Would you like to be part of future online surveys for Invacare products? Yes No

11. User's Year of birth: _____

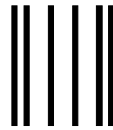
If at any time you wish not to receive future mailings from us, please contact us at Invacare Corporation, CRM Department, 39400 Taylor Parkway, Elyria, OH 44035, or fax to 877-619-7996 and we will remove you from our mailing list.

To find more information about our products, visit www.invacare.com.

Cut Along Line



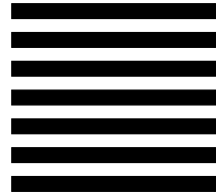
Fold
here



BUSINESS REPLY MAIL
FIRST-CLASS MAIL PERMIT NO. 196 ELYRIA OH

POSTAGE WILL BE PAID BY ADDRESSEE

NO POSTAGE
NECESSARY
IF MAILED
IN THE
UNITED STATES



INVACARE CORPORATION
CRM DEPARTMENT
39400 TAYLOR PARKWAY
ELYRIA OH 44035-9836



Fold
here

Invacare Product Registration Form

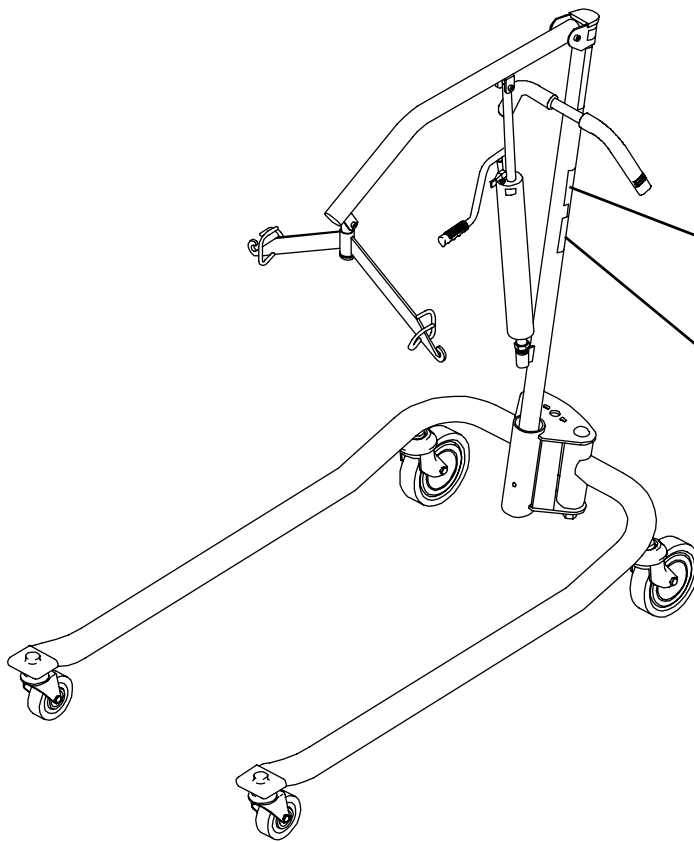
Please Seal with
Tape Before Mailing

Cut Along Line



LABEL LOCATION

Models 9805 and 9805P



⚠ WARNING



BEFORE using the Patient Lift, **READ** and **UNDERSTAND** the Owner's Manual for proper operation and safety procedures.

⚠ WARNING

WEIGHT CAPACITY is 450 lbs. The INVACARE Patient Lift is **NOT** a transport device. Moving a person suspended in a sling over **ANY** distance is **NOT RECOMMENDED**.

DO NOT roll castorbase over deep carpet, raised carpet bindings, door frames or any uneven surfaces that may cause the Patient Lift to tip over.

DO NOT lock the casters of the Patient Lift when lifting an individual. Casters **MUST** be left unlocked to allow Patient Lift to stabilize during lifting procedures.

USE ONLY genuine INVACARE SLINGS and LIFT ACCESSORIES. Refer to Owner's Manual for periodic Maintenance Procedures.

NOTICE
Upon receipt of the patient lift, the end user should request an updated version of the owner's manual for proper operation and safety procedures.

Customer Service:
1-800-333-6900

1059597

SPECIAL NOTES

Signal words are used in this manual and apply to hazards or unsafe practices which could result in personal injury or property damage. Refer to the following table for definitions of the signal words.

SIGNAL WORD	MEANING
DANGER	Danger indicates an imminently hazardous situation which, if not avoided, will result in death or serious injury.
WARNING	Warning indicates a potentially hazardous situation which, if not avoided, could result in death or serious injury.
CAUTION	Caution indicates a potentially hazardous situation which, if not avoided, may result in property damage.

NOTICE

THE INFORMATION CONTAINED IN THIS DOCUMENT IS SUBJECT TO CHANGE WITHOUT NOTICE.

MAINTENANCE

Maintenance **MUST** be performed only by qualified personnel.

NOTES highlight procedures and contain information which assist the operator in understanding the information contained in this manual.

⚠ WARNING

Invacare products are specifically designed and manufactured for use in conjunction with Invacare accessories. Accessories designed by other manufacturers have not been tested by Invacare and are not recommended for use with Invacare products.

TYPICAL PRODUCT PARAMETERS

	9805 Hydraulic Adjustable Lift	9805P Hydraulic Adjustable Lift - Painted
BASE (ONLY):	9884	9884P
MAST (ONLY):	9800A	N/A
BASE WIDTH OPEN: CLOSED:	42¼-inches 22-inches	42¼-inches 22-inches
BASE HEIGHT:	6½-inches	6½-inches
BASE LENGTH:	46¾-inches	46¾-inches
BOOM HEIGHT AT SLING ATTACHMENT: MIN.: MAX.: RANGE:	17-inches 61-inches 44-inches	17-inches 61-inches 44-inches
BOOM OVERALL HEIGHT:	73-inches	73-inches
WEIGHT CAPACITY:	450 lbs	450 lbs
*CASTER SIZE:	5-inches	5-inches
SHIPPING WEIGHT: (UNIT IN CARTON)	85 lbs	85 lbs

SECTION I—GENERAL GUIDELINES

⚠ WARNING

SECTION I - GENERAL GUIDELINES contains important information for the safe operation and use of this product. **DO NOT** use this product or any available optional equipment without first completely reading and understanding these instructions and any additional instructional material such as **Owner's Manuals, Service Manuals or Instruction Sheets** supplied with this product or optional equipment. If you are unable to understand the **Warnings, Cautions or Instructions**, contact a healthcare professional, dealer or technical personnel before attempting to use this equipment - otherwise, injury or damage may occur.

Check all parts for shipping damage before using. In case of damage, **DO NOT** use the equipment. Contact the Dealer for further instructions.

The Invacare patient lift is not a transport device. It is intended to transfer an individual from one resting surface to another (such as a bed to a wheelchair). Moving a person suspended in a sling over any distance is not recommended.

DO NOT attempt any transfer without approval of the patient's physician, nurse or medical assistant. Thoroughly read the instructions in this Owner's Manual, observe a trained team of experts perform the lifting procedures and then perform the entire lift procedure several times with proper supervision and a capable individual acting as a patient.

Use common sense while operating lifts. Special care **MUST** be taken with people with disabilities who cannot cooperate while being lifted.

Invacare slings and patient lift accessories are specifically designed to be used in conjunction with Invacare patient lifts. Slings and accessories designed by other manufacturers are not to be utilized as a component of Invacare's patient lift system.

Assembling the Lift

DO NOT overtighten mounting hardware. This will damage mounting brackets.

Operating the Lift

Although Invacare recommends that two assistants be used for all lifting preparation, transferring from and transferring to procedures, our equipment will permit proper operation by one assistant. The use of one assistant is based on the evaluation of the healthcare professional for each individual case.

DO NOT exceed maximum weight limitation of the patient lift. The weight limitation for the 9805 and the 9805P lifts is 450 lbs.

If the patient lift is exposed to extreme temperature (above 100°F or below 32°F), high humidity and/or becomes wet, prior to use, ensure handgrips do not twist on patient lift handle - otherwise damage or injury may occur.

Using the Sling

Use an Invacare approved sling that is recommended by the individual's doctor, nurse or medical assistant for the comfort and safety of the individual being lifted.

DO NOT use any kind of plastic back incontinence pad or seating cushion between patient and sling material that may cause the patient to slide out of the sling during transfer.

After each laundering (in accordance with instructions on the sling), inspect sling(s) for wear, tears, and loose stitching.

Bleached, torn, cut, frayed, or broken slings are unsafe and could result in injury. Discard IMMEDIATELY.

DO NOT alter slings.

Be sure to check the sling attachments each time the sling is removed and replaced to ensure that it is properly attached before the patient is removed from a stationary object (bed, chair or commode).

If the patient is in a wheelchair, secure the wheel locks in place to prevent the chair from moving forwards or backwards.

When connecting slings equipped with color coded straps to the patient lift, the shortest of the straps MUST be at the back of patient for support. Using longer straps will leave little or no support for patient's back. The loops of the sling are color coded and can be used to place patient in various positions. The colors make it easy to connect both sides of the sling equally. Make sure that there is sufficient head support when lifting a patient.

Lifting the Patient

When using an adjustable base lift, the legs MUST be in the maximum Opened/Locked position before lifting the patient.

When the sling is elevated a few inches off the surface of the bed and before moving the patient, check again to make sure that the sling is properly connected to the hooks of the swivel bar. If any attachments are not properly in place, lower the patient back onto the stationary surface and correct this problem - otherwise, injury or damage may occur.

Adjustments for safety and comfort should be made before moving the patient. Patient's arms should be inside of the straps.

Invacare slings are made specifically for use with Invacare Patient Lifts. For the safety of the patient, DO NOT intermix slings and patient lifts of different manufacturers.

Before transferring a patient from a stationary object (wheelchair, commode or bed), slightly raise the patient off the stationary object and check that all sling attachments are secure. If any attachment is not correct, lower the patient and correct the problem, then raise the patient and check again.

During transfer, with patient suspended in a sling attached to the lift, DO NOT roll caster base over objects such as carpet, raised carpet bindings, door frames, or any uneven surfaces or obstacles that would create an imbalance of the patient lift and could cause the patient lift to tip over. Use steering handle on the mast at all times to push or pull the patient lift.

Transferring the Patient

When elevated a few inches off the surface of the stationary object (wheelchair, commode, or bed) and before moving the patient, check again to make sure that the sling is properly connected to the hooks of the swivel bar. If any attachments are not properly in place, lower the patient back onto the commode chair or the standard commode and correct this problem.

Wheelchair wheel locks **MUST** be in a locked position before lowering the patient into the wheelchair for transport.

Before transferring, check that the wheelchair weight capacity can withstand the patient's weight.

Be sure to check the sling attachments each time the sling is removed and replaced, to ensure that it is properly attached before the patient is removed from the bed or chair.

Mast pivot under the rubber boot must be tight to ensure safe use of the patient lift. Bolt **MUST** be checked at least every six months in conjunction with periodic maintenance.

Performing Maintenance

The pump is sealed at the factory. DO NOT attempt to open the pump or obtain local service as this will void the warranty and might result in damage. Consult your dealer or write Invacare for further information.

After the first year of use, the hooks of the swivel bar and the mounting brackets of the boom should be inspected every three months to determine the extent of wear. If these parts become worn, replace them **IMMEDIATELY**.

Casters and axle bolts require inspections every six months to check for tightness and wear.

After the first twelve months of operation, inspect the swivel bar and the eye of the boom (to which it attaches) for wear. If the metal is worn, the parts **MUST** be replaced. Make this inspection every six months thereafter.

Regular maintenance of patient lifts and accessories is necessary to assure proper operation.

DO NOT overtighten mounting hardware. This will damage mounting brackets.

SECTION 2—FEATURES

Hydraulic Lifts

NOTE: For this procedure, refer to FIGURE 2.1.

Hydraulic pump suggested operating limit is 450 lbs.

Masts are interchangeable with bases. Lock together. Masts can be separated for storage.

Operation optimizes lift capabilities. The lift requires less physical effort for raising patient.

Offset mast and boom style provides better lift path. It maximizes full travel range.

Pump handle can rotate from side-to-side for convenience of assistant.

- A. The Castered Base
- B. The Shifter Handle
- C. The Mast
- D. The Boom
- E. Swivel Bar
- F. Hydraulic Pump
- G. Pump Handle
- H. Control Valve

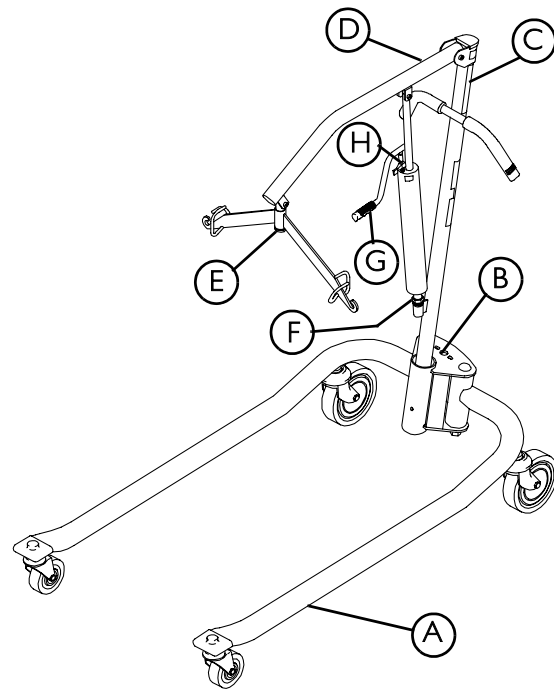


FIGURE 2.1 Hydraulic Lifts

Patient Slings

⚠ WARNING

Use a sling that is recommended by the individual's doctor, nurse or medical assistant for the comfort and safety of the individual being lifted.

Patient slings work in conjunction with lifts to support the patient during lifting and transferring procedures.

Slings attach to the lift by using either sewn-in loop straps, chains or adjustable straps. Slings are adjustable. They are interchangeable with any Invacare patient lift.

Each sling offers reinforcing at each hook-on point to ensure patient safety.

Each sling is constructed of durable materials which resist deterioration from exposure to moisture or laundering.

Invacare products are specifically designed and manufactured for use in conjunction with Invacare accessories. Accessories designed by other manufacturers have not been tested by Invacare and are not recommended for use with Invacare products.

Model Nos. 9042, 9043, 9046 and 9047 Slings

The one-piece contour sling can be used on heavy or light patients. Slings support the patient from shoulders to the knees. Slings are used for weighing, transferring or to simplify the use of bathroom facilities.

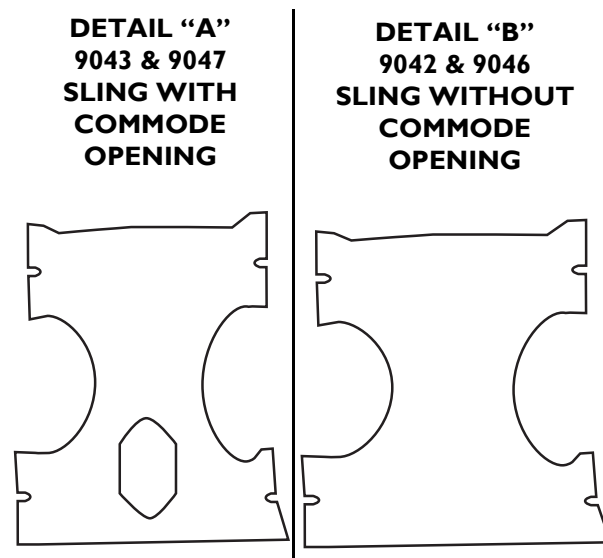


FIGURE 2.2 Patient Slings

SECTION 3—HANDLING

Shipping and Transportation Instructions

NOTE: For this procedure, refer to FIGURE 3.1.

NOTE: If the patient lift is to be reshipped by common carrier, it should be packed in the same carton. Extra cartons are available from Invacare.

Unpacking

1. Check for any obvious damage to the carton or its contents. If damage is evident, notify Carrier/Invacare Dealer.
2. Remove all loose packing from the carton.
3. Carefully remove all the components from the carton.

NOTE: Unless the patient lift is to be used immediately, retain boxes, containers and packing material for use in storing until use of the patient lift is required.

Inspection

1. Examine exterior of the patient lift for nicks, dents, scratches or damages. Inspect all components.

Storage

1. Store the repackaged patient lift in a dry area.
2. DO NOT place other objects on top of the repackaged patient lift.

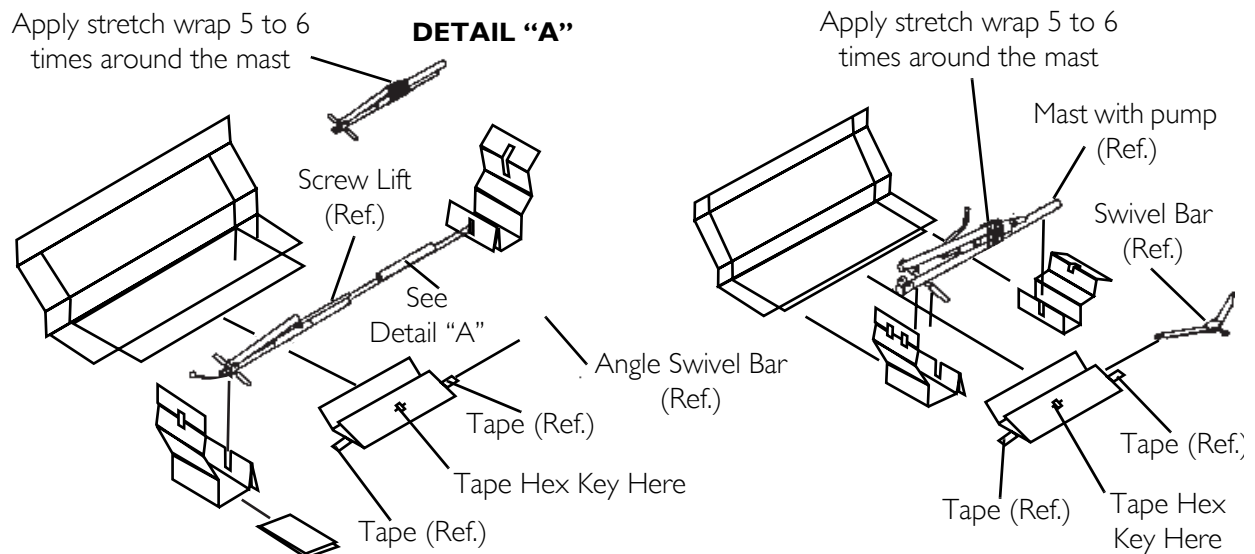


FIGURE 3.1 Handling

SECTION 4—ASSEMBLY

Assembly of the Patient Lift

⚠ WARNING

Use only Invacare parts in the assembly of this lift. The base legs, the mast, boom, pump assembly and the swivel bar are manufactured to specifications that assure correct alignment of all parts for safe functional operation.

CAUTION

DO NOT run the lift until it is fully assembled.

Follow the assembly instructions in the **Owner's Manual** for proper assembly of this lift. Failure to do so could result in damage to the push handle of the lift, rendering it inoperative.

NOTE: For this procedure, refer to FIGURE 4.1 and FIGURE 4.2.

Base, Mast and Boom Assembly

1. Unpack the components from the shipping cartons.
2. Remove the locking screw from the bottom of the base.

NOTE: The bottom of the mast assembly will have a notch.

3. Match the notch at the bottom of the mast assembly with the tabs inside the socket of the base assembly.
4. Insert the mast assembly into the socket and onto the tabs.
5. Turn the mast assembly to make sure that the notch is locked on the tabs of the socket.

NOTE: If the mast does not turn, the mast is centered and locked in place.

6. Insert the locking screw into the bottom of the base and securely tighten.

⚠ WARNING

The mast may be removed from the base for storage or transporting. Each time the mast is removed and returned to the socket of the base, the mast **MUST** be locked into the socket of the base assembly.

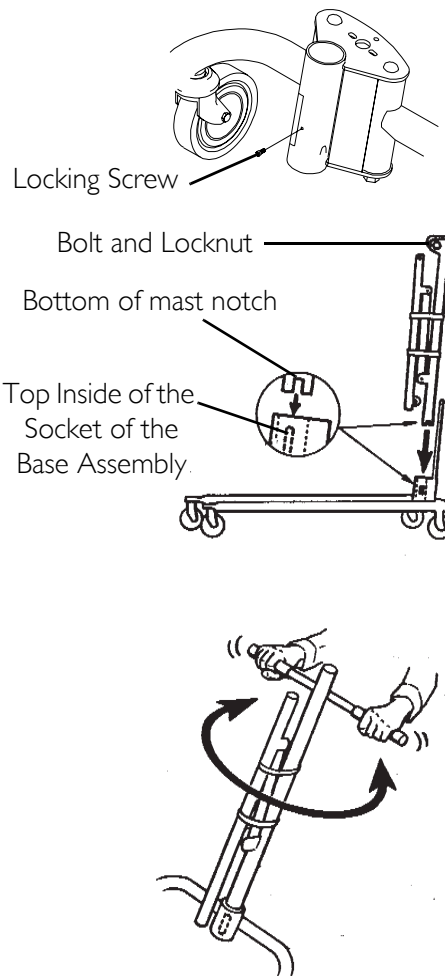


FIGURE 4.1 Assembly of the Patient Lift - Base, Mast and Boom Assembly

7. Remove the bolt and locknut from the top of the mounting bracket of the mast assembly.
8. Align the holes of the boom assembly and mast assembly mounting bracket. Insert the bolt completely through the holes of the mast assembly mounting bracket and the boom assembly.

NOTE: Be sure that the bolt is completely through the holes of the mast assembly mounting bracket and boom assembly, and they are not riding on the shoulder of the bolt.

CAUTION

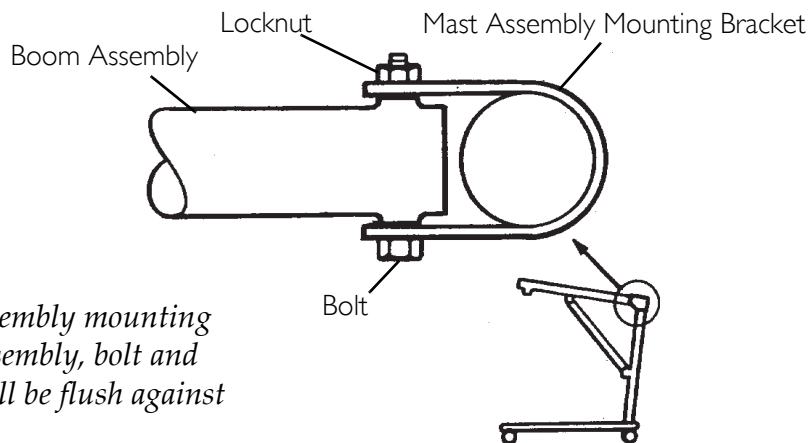
The boom and mast, when assembled, MUST pivot easily.

9. Tighten the bolt and nut using the Allen wrench provided and an adjustable wrench.

NOTE: The nut and bolt can be tightened completely and the boom assembly will pivot easily if the mounting hardware is aligned properly when the boom assembly is secured to the mast. To check for correct alignment of the hardware, use the Allen wrench provided and turn the bolt by hand (it should rotate without a lot of force being applied). If excessive force is necessary, the bolt is NOT aligned properly. Disassemble and repeat assembly procedures until proper alignment is obtained.

10. To check for tightness of nut and bolt:

- A. Raise the boom assembly.
- B. Push the control handle away from the pump assembly.
- C. If the boom assembly pivots easily, then the nut and bolt are not too tight.
- D. If the boom assembly does not pivot easily or does not pivot at all, then the nut and bolt are not aligned properly.



NOTE: Mast assembly mounting bracket, boom assembly, bolt and locknut MUST all be flush against each other

FIGURE 4.2 Assembly of the Patient Lift - Base, Mast and Boom Assembly

Base Shifter Handle Assembly

NOTE: For this procedure, refer to FIGURE 4.3.

1. Insert the base shifter handle into the cam lock assembly at the back of the base.
2. Align the holes of the shifter handle and cam lock assembly.
3. Tighten the thumbscrew to secure the shifter handle in place.

NOTE: This should prevent the base shifter handle from being removed.

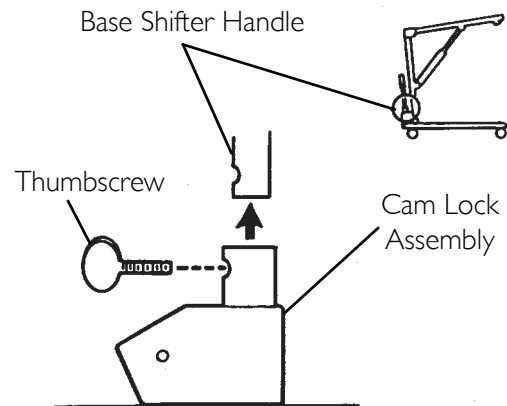


FIGURE 4.3 Base Shifter Handle Assembly

Swivel Bar Attachment with Mounting Bracket

NOTE: For this procedure, refer to FIGURE 4.4.

1. Push the pin and washers up through the swivel bar pad.
2. Line-up hole in pin with mounting bracket holes and secure with shoulder screw and nut provided.

NOTE: The swivel bar has hooks on both ends to accept the hardware used to attach the sling that supports the patient during lift. The swivel bar pad should remain in place during normal use.

NOTE: Make sure Pin and Washers are completely pushed up through the Swivel Bar Pad.

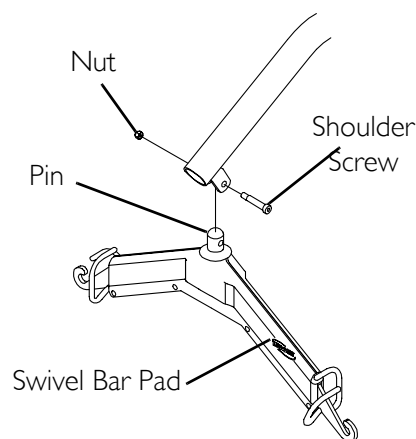


FIGURE 4.4 Swivel Bar Attachment with Mounting Bracket

SECTION 5—ONE-PIECE CONTOUR SLINGS

Slings Using Chains, O-rings and D-rings

⚠ WARNING

Invacare slings are designed specifically for use with Invacare Patient Lifts and made to support the patient during lift and transfer procedures. Slings attach to the lift with either straps or chains (interchangeable). The slings are reinforced at all points of attachment for safety. The fabrics used in these slings are of very durable materials that resist deterioration from exposure to moisture and laundering. This design will accommodate patients of heavy or light weight with support from the shoulders to the knees. The contour shape provides comfort during the lift by avoiding the bulk of excess material between the back and seat sections.

Fabric

The fabric has a smooth inner side. The outer side has binding tape around the pocket.

NOTE: Always place the sling under the patient with the smooth side next to the body.

Sling fabrics are offered in a choice of two materials. Canvas fabric is very durable for use and laundering and is preshrunk and dyed a BLUE color.

NOTE: Laundering should always be done with dark colors.

Open mesh nylon fabric is an exceptional material that provides safety and comfort for the patient. The open mesh weave of the fabric is dyed BLUE, preshrunk, and durable for use and laundering. It provides considerable traction to resist slipping and sliding during use.

Body

Slings may be ordered at the time of purchase with a commode opening in the seat section for use over a commode or a commode chair.

Each sling includes four metal support bars that have a hole at the center to attach the S-hook.

When shipped from the factory, these reinforcing metal support bars are enclosed in the sling pocket with the hole exposed.

Positioning the Contour Sling

NOTE: For this procedure, refer to FIGURE 5.1.

1. Position the patient in the center of the bed and laying flat on his/her back.
2. Fold the sling in half (length-wise) and place the fabric sections of the sling beside the patient.

NOTE: The sling french seams (uneven surface) will be against the bed surface and facing the assistant when folded. The opposite side of the fabric is smooth. After the sling is positioned for lifting purposes, the smooth side will be next to the patient.

NOTE: The top edge of the sling fabric (nearest to the patient's head) should be slightly above the armpit level of the patient.

NOTE: The bottom edge of the sling fabric should then be a few inches above the back of the patient's knee.

3. With both assistants holding the patient, push the folded sling under the patient without rolling him/her over.

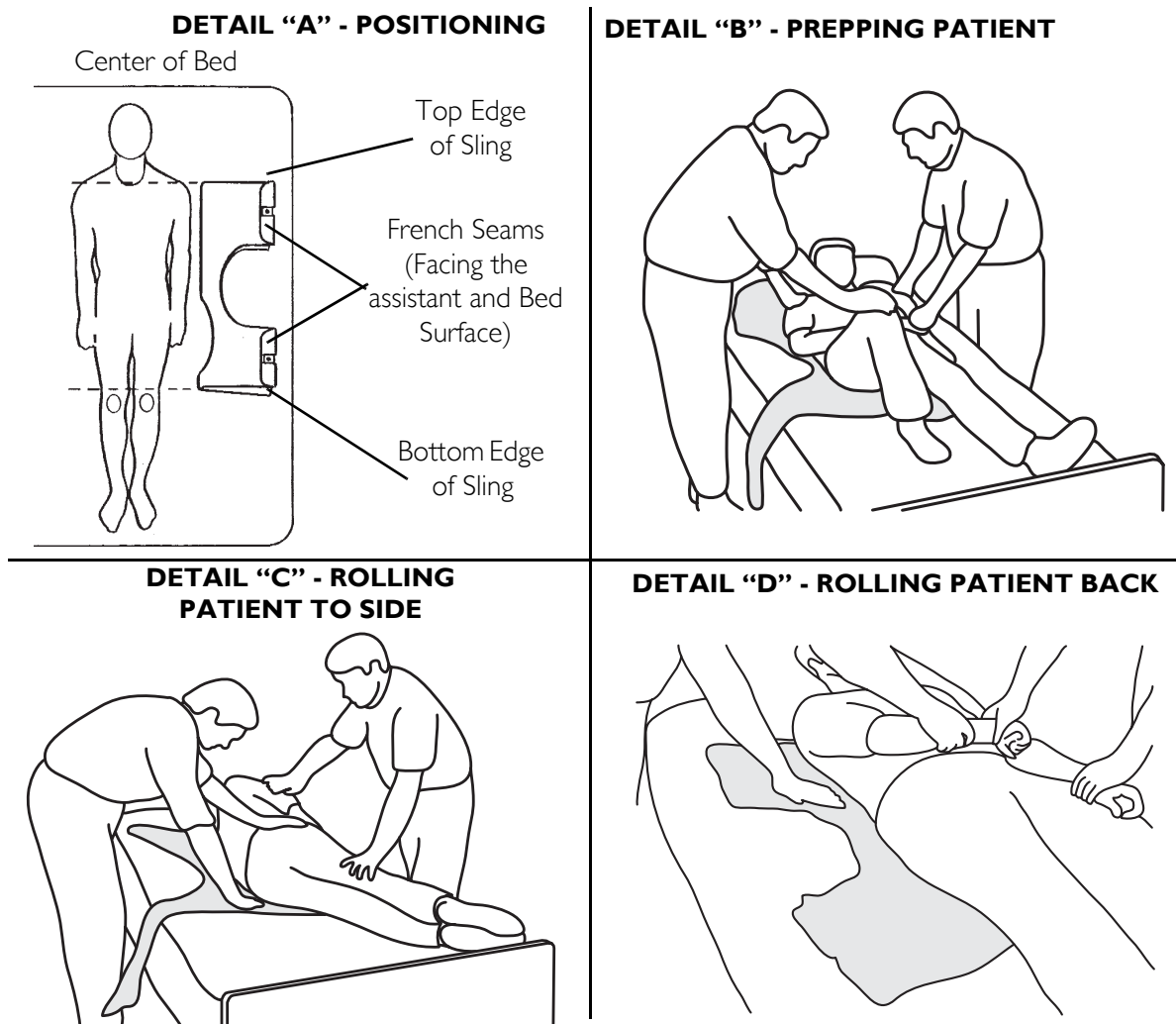


FIGURE 5.1 Positioning the Contour Sling

Positioning the Patient on the Sling

NOTE: For this procedure, refer to FIGURE 5.1 and FIGURE 5.2.

NOTE: Use the following method to easily move the patient and avoid strain to yourself.

1. If the patient is to roll to their left-side, then elevate the patient's right knee until the right foot is flat on the bed (Detail "B" of FIGURE 5.1).

NOTE: Invacare recommends that two assistants (one on each side of the bed) be used when positioning the patient in a sling.

2. With an assistant on each side of the bed and up against the mattress, the assistant on the left-hand side of the bed will position his/her right-hand on the elevated knee and his/her left-hand under the patient's right shoulder, slowly push on the knee and assist with a slight lift of the shoulder and the patient will easily roll onto their side (Detail "C" of FIGURE 5.1).

3. With the patient on their side, push the fabrics of the seat and back gently under them.

NOTE: The upper edge of the back section should be positioned slightly above the armpit level and the lower edge of the seat section positioned a few inches above the back of the patient's knees (Detail "A" of FIGURE 5.1).

4. Roll the patient on to his/her back (Detail "D" of FIGURE 5.1).

NOTE: assistants will reverse roles.

5. After the patient has been positioned once again on his/her back, you now need to roll the patient to their right-side (facing the assistant on the left).

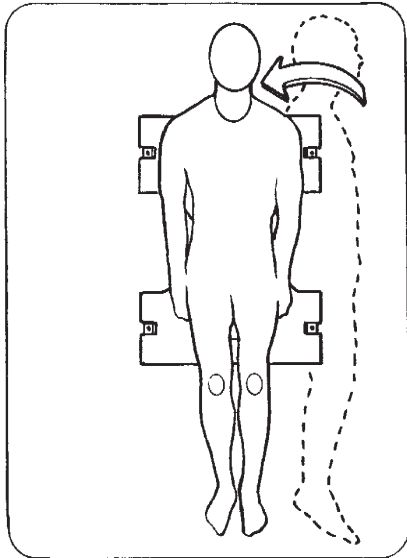
6. With an assistant on each side of the bed and up against the mattress, the assistant on the right-hand side of the bed will elevate the left knee and position his/her left-hand on the elevated knee and his/her right-hand under the patient's left shoulder. The assistant will slowly push on the knee and assist with a slight lift of the shoulder and the patient will easily roll onto their side (Detail "B" of FIGURE 5.2).

7. Pull the fabrics of the seat and back across the mattress until they are smooth.

8. Roll the patient onto their back and they should be approximately centered on the sling (Detail "C" of FIGURE 5.2).

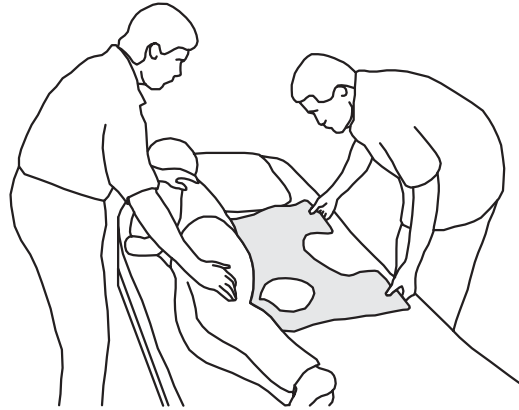
9. You are now ready to attach the chains or straps to the sling.

DETAIL "A" - POSITIONING



Patient
Centered
in Sling

DETAIL "B" - ROLLING PATIENT TO SIDE



DETAIL "C" - ROLLING PATIENT BACK



FIGURE 5.2 Positioning the Patient on the Sling

SECTION 6—ATTACHING SLING HARDWARE

Attaching the Sling Hardware

The hardware used with the one-piece contour sling includes four metal support bars. The hardware inserts into the pockets at the edge of the fabric. The pocket that will hold the metal bar has an opening in the center. The pocket is sewn closed on one end and has an open-end with a strap on the other.

NOTE: When the slings are laundered, remove the four metal support bars. They MUST be replaced or the sling can not be used for lifting purposes.

Inserting the Four Metal Support Bars into the Sling

NOTE: For this procedure, refer to FIGURE 6.1 on page 24.

NOTE: When inserting each metal bar into the sling pocket, align the metal support bar in the center of the strap (after it has been pulled down) and push the metal support bar into the sling pocket. The sling is sewn on both sides so the center location is critical.

1. To insert the metal support bar, pull the strap down allowing the bar to pass through the opening in the sling pocket.
2. Push the metal support bar through until the mounting hole clears the center opening of the sling pocket.
3. Once the opposite end of the bar is inside the sewn pocket, push the strap over the metal support bar to prevent it from falling out.

NOTE: The hole in the metal bar should be in the center of the pocket opening. This is where the S-hook of the chain or strap will be attached.

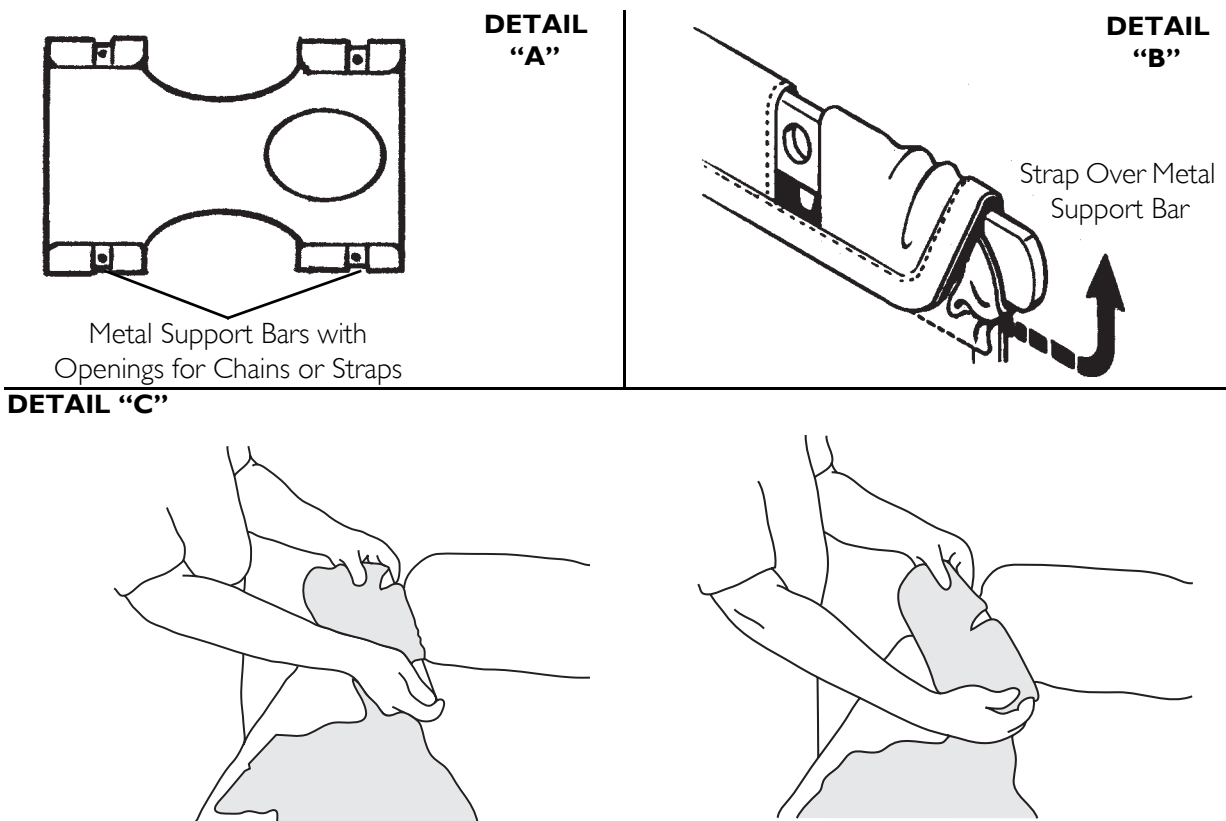


FIGURE 6.1 Inserting the Four Metal Support Bars into the Sling

Attaching the Chains or Adjustable Straps to the Sling

CAUTION

When using either the chains or straps to connect the sling to the patient lift, the shortest of the two sections of the chains or straps **MUST** be attached to the back section of the sling. Using the long section will leave little or no support for the patient's back.

NOTE: For this procedure, refer to FIGURE 6.2 on page 25.

1. With the patient laying on his/her back and positioned properly in the sling, lay the chains or straps on the bed next to the sling.
2. Place the short section of chain or strap parallel to the patient's back.

NOTE: This will position the longer section of chain or strap from the waist to the mid section of the thigh.

3. Insert the S-hooks on the ends of the chains or straps into the metal support bar of the sling.

NOTE: The S-hook MUST be inserted through the hole in the support bar with the open end facing away from the patient (Detail "B" FIGURE 6.2).

NOTE: The O-ring of the chain assembly is the suggested location to attach to the swivel bar, however, by changing to different links, you can reposition the patient into a reclining or more upright position.

⚠ WARNING

When changing to different lengths, **DO NOT** disconnect the **O-rings** of the chains from the swivel bar. Position both the **O-rings** and additional chain link onto the hooks of the swivel bar.

NOTE: The straps can be simply adjusted to achieve the same effect.

4. With the sling positioned under the patient, and the metal support bars in place, you are now ready to move the lift into position to attach the sling hardware to the swivel bar.

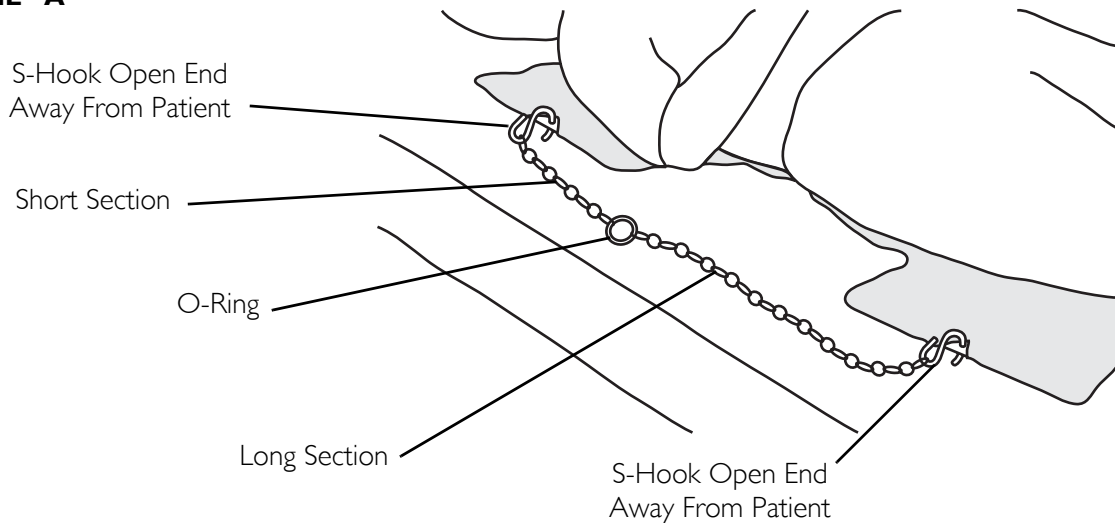
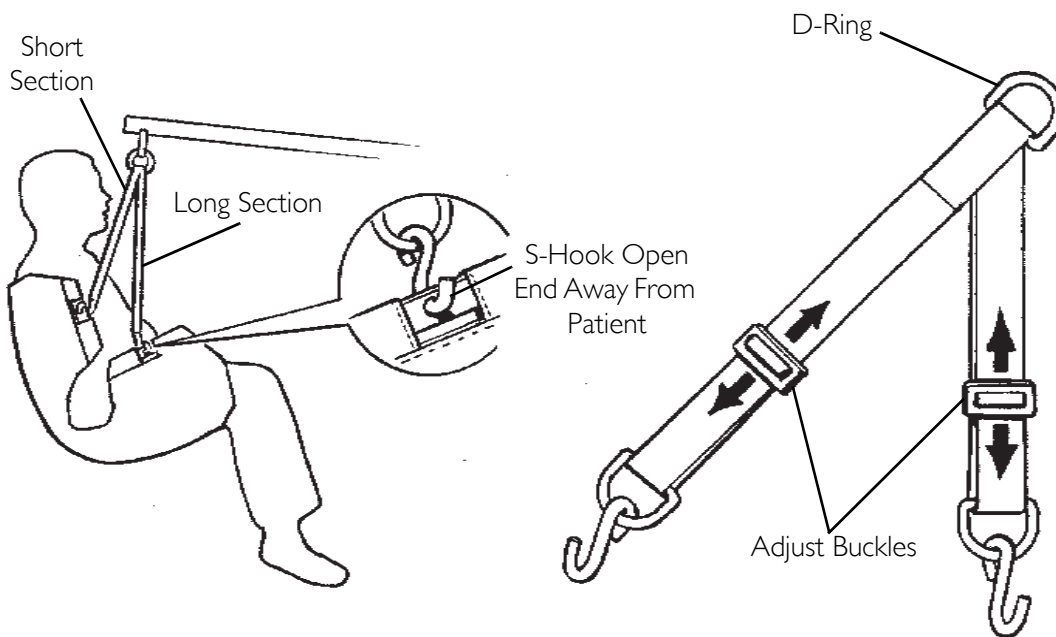
DETAIL "A"**DETAIL "B"**

FIGURE 6.2 Attaching the Chains or Adjustable Straps to the Sling

SECTION 7—OPERATION

Operating the Patient Lift

Opening the Legs of the Adjustable Base

⚠ WARNING

The operation of the patient lift is an easy and safe procedure. **DO NOT** attempt any transfer without approval of the patient's physician, nurse or medical assistant. Thoroughly read the instructions in this **Owner's Manual**, observe a trained team of experts performing the lifting procedures and then perform the entire lift procedure several times with proper supervision and a capable individual acting as a patient.

ONLY operate this lift with the legs in maximum open position and locked in place. The base legs **MUST** be locked in the open position at all times for stability and patient safety when lifting and transferring a patient.

NOTE: For this procedure, refer to FIGURE 7.1 on page 27.

The Shifter handle is used to open the legs of the base for stability when lifting a patient.

1. Grasp the shifter handle in one-hand and place the opposite hand on the steering handle of the mast for balance.
2. Push the shifter handle to your right to release the lock pin from its mounting hole.
3. Turn the handle clockwise until you are able to secure the lock pin into the opposite mounting hole to fully open the legs of the base.

NOTE: The lock pin MUST insert into its mounting hole in the socket assembly to lock the legs in the full open position. The shifter handle will be in the vertical position; parallel with the mast assembly.

⚠ WARNING

If the shifter handle is **NOT** vertical, the lock pin is **NOT** seated in the socket assembly. **DO NOT** use the patient lift until lock pin is properly seated and locked in place or injury and/or damage may occur.

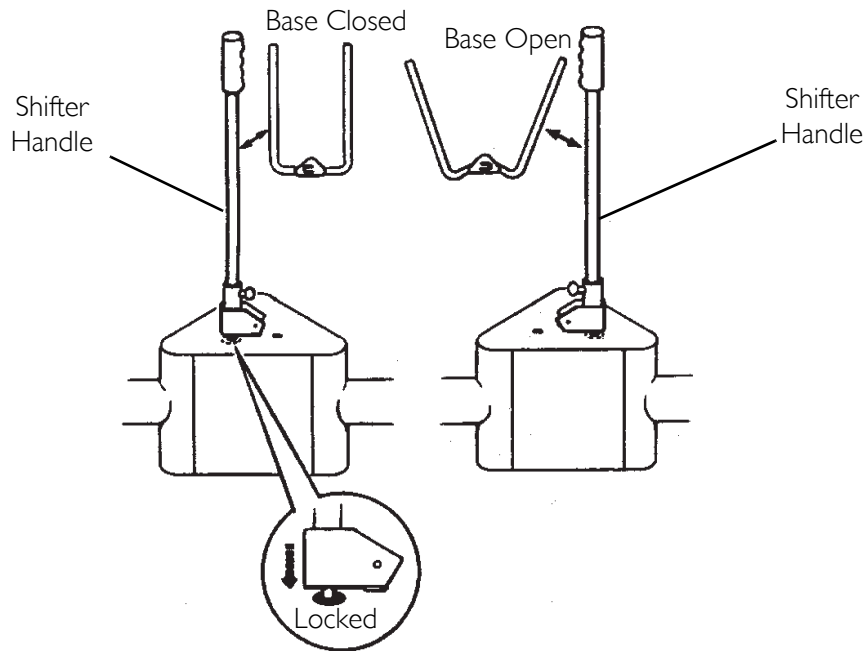
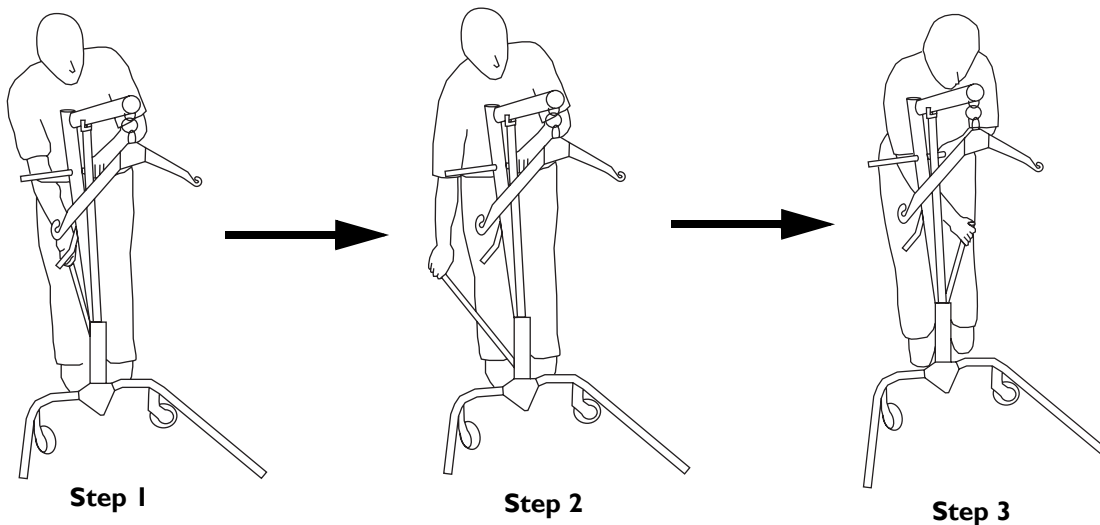
DETAIL "A"**DETAIL "B"**

FIGURE 7.1 Operating the Patient Lift - Opening the Legs of the Adjustable Base

Raising/Lowering Model Hydraulic Lifts

NOTE: For this procedure, refer to FIGURE 7.2 on page 28.

There are two controls on the pump assembly:

1. The control valve
2. The pump handle

Raising the Lift

The control valve **MUST** be in the closed position (control valve positioned towards pump handle) to move the pump handle up and down to elevate the boom and the patient.

Lowering the Lift

The control handle **MUST** be in the open position (control valve positioned away from pump handle) to lower the boom and the patient. The rate of descent can be controlled by varying the amount that the control valve is opened.

NOTE: A safety gate is part of the hydraulic system that maintains a SLOW constant descent of the boom regardless of how far the control valve is opened.

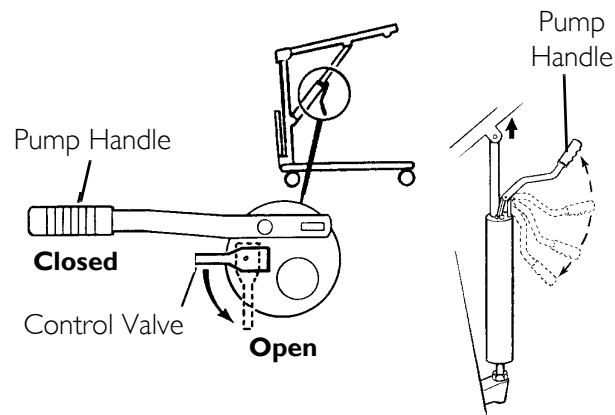


FIGURE 7.2 Operating the Patient Lift - Raising/Lowering Model Hydraulic Lifts - Raising the Lift

SECTION 8—LIFTING THE PATIENT

⚠ WARNING

Before lifting or transferring the patient, the base legs **MUST** be locked in the open position for optimum stability and safety.

Refer to **General Guidelines** on page 10 before proceeding further and observe all **WARNINGS** indicated.

NOTE: For this procedure, refer to FIGURE 8.1, FIGURE 8.2, FIGURE 8.3, and FIGURE 8.4.

1. Using the steering handle, push the patient lift underneath the bed.
2. Lower the patient lift for easy attachment of the sling hardware or straps (FIGURE 8.1).
3. Do one of the following:
 - Chains, O-Rings and D-Rings: After the chains, O-Rings or D-Rings are attached and the S-hooks are secured in both sides of the sling sections (open end facing outward), place the D-rings of the strap assembly or the O-ring and chain link of the chain assembly over the chain hooks of the swivel bar.
 - Chain-Free All Fabric Slings: Attach the color-coded straps to the strap hooks of the swivel bar.

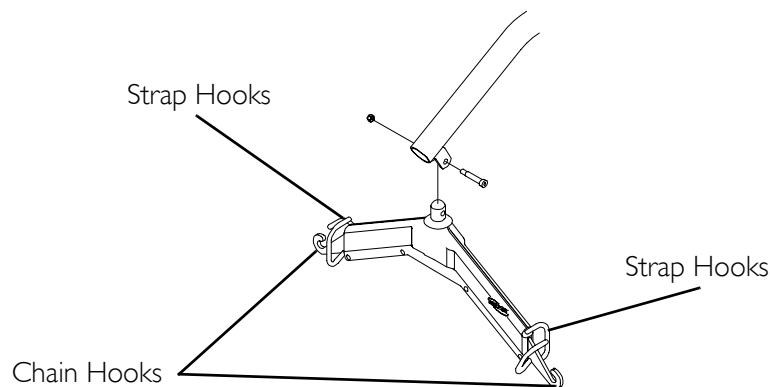


FIGURE 8.1 Lifting the Patient

4. Pump the lift handle or turn the handle clockwise (clicking sound is normal) to raise the patient above the bed. The patient should be elevated high enough to clear the bed and their weight supported by the lift.

NOTE: The manual (crank) lift handle will automatically turn back one quarter turn to lock in place.

NOTE: On a hydraulic lift, the boom will stay in position until the control valve is opened.

5. When the patient is lifted from the bed (with the patient's head supported), he/she will be raised to a sitting position (FIGURE 8.2).

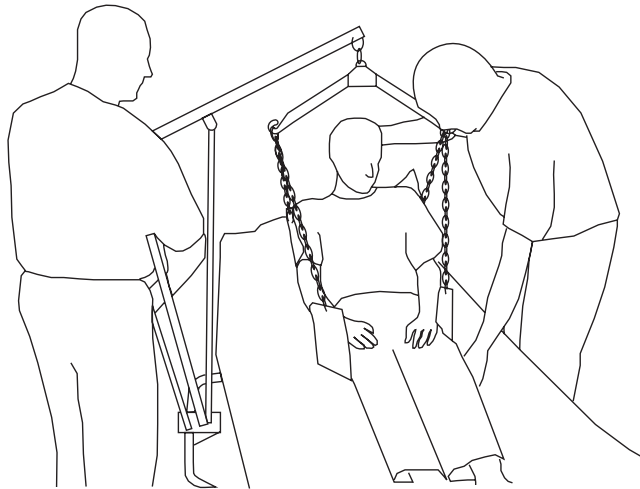


FIGURE 8.2 Lifting the Patient

⚠ WARNING

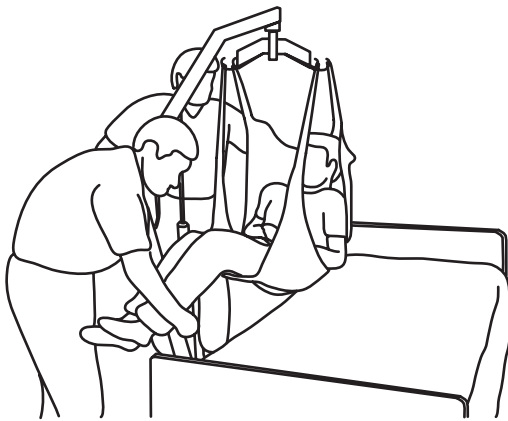
When elevated a few inches off the surface of the bed and before moving the patient, check again to make sure that all hardware is properly connected. Check each S-hook to make sure it is completely attached to the metal support bars of the sling. Check the attachment of the straps, O or D-rings to the swivel bar hooks. If any attachments are **NOT** properly in place, lower the patient back onto the bed and correct this problem.

Adjustments for safety and comfort should be made before moving the patient. Patient's arms should be inside of the chains or straps.

Invacare slings and hardware are made specifically for use with Invacare Patient Lifts. For the safety of the patient, **DO NOT** intermix slings and patient lifts of different manufacturers.

- When patient is clear of the bed surface, swing their feet off the bed (FIGURE 8.3).

DETAIL "A" - AIDING THE PATIENT



DETAIL "B" - GUIDING THE PATIENT

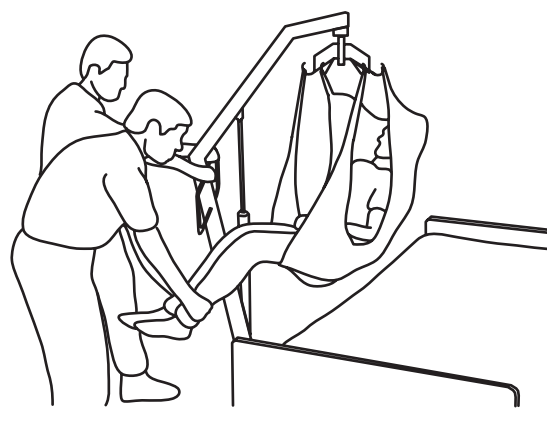


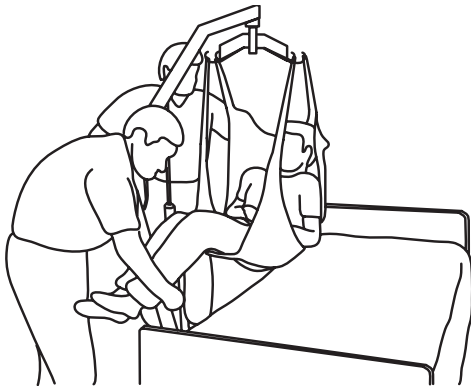
FIGURE 8.3 Lifting the Patient

7. Using the steering handles, move the patient lift away from the bed.
8. When moving the patient lift away from the bed, turn patient so that he/she faces assistant operating the patient lift (FIGURE 8.4).
9. Turn crank handle counterclockwise (manual) or open control valve (hydraulic) lowering patient so that his feet rest on or over the base of the lift, straddling the mast. Close control valve.

NOTE: The lower center of gravity provides stability making the patient feel more secure and the lift easier to pull or push.

10. Pull the patient lift away from the bed and push from behind with both hands.

DETAIL "A" - TURNING THE PATIENT



DETAIL "B" - MOVING THE PATIENT IN THE LIFT

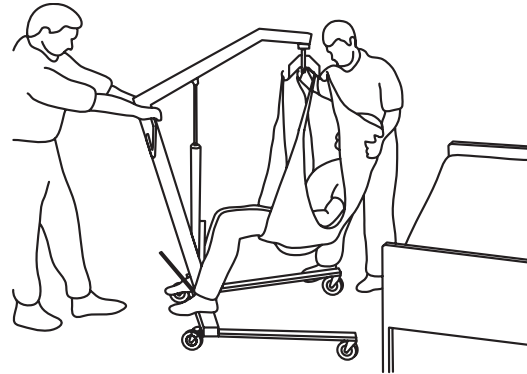


FIGURE 8.4 Lifting the Patient

SECTION 9—BATHROOM

Transferring Patient for Use of Commode Chair or Standard Commode

Transferring to a Commode Chair

⚠ WARNING

When elevated a few inches off the surface of the commode chair or standard commode and before moving the patient, check again to make sure that all hardware or straps are properly connected. Check each S-hook to make sure it is completely attached to the metal bars of the sling. Check the attachment of the straps, O or D-rings to the swivel bar hooks. If any attachments are NOT properly in place, lower the patient back onto the commode chair or standard commode to correct this problem.

Adjustments for safety and comfort should be made before moving the patient. Patient's arms should be inside of the chains or straps.

Invacare slings and Hardware are made specifically for use with Invacare Patient Lifts. For the safety of the patient, DO NOT intermix slings and patient lifts of different manufacturers.

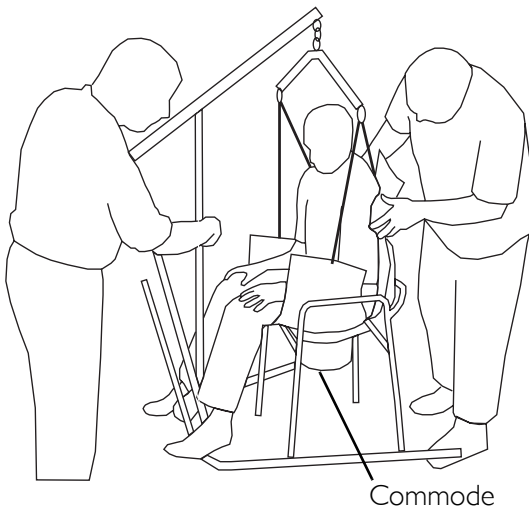
NOTE: For this procedure, refer to FIGURE 9.1 on page 33.

NOTE: The slings with commode openings are designed to be used with either a commode chair or standard commode.

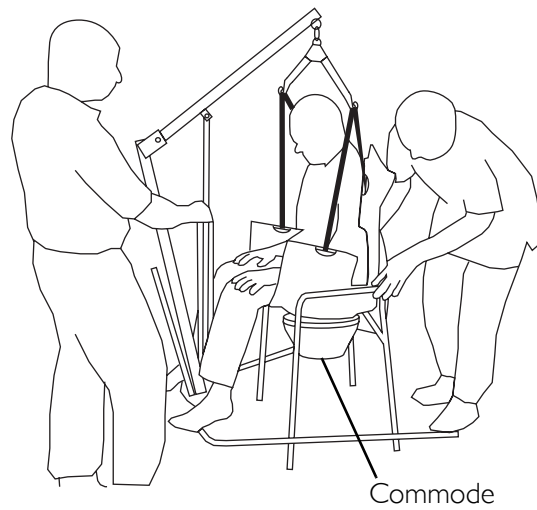
NOTE: Invacare recommends that the sling remain connected to the swivel bar during the patient's use of either the commode chair or standard commode.

1. Elevate the patient high enough to clear the commode chair and their weight supported by the lift.
2. With the help of both assistants, guide the patient onto the commode chair.
3. Lower the patient onto the commode chair leaving the sling attached to the swivel bar.
4. When complete, recheck for correct attachment and then raise the patient off the commode chair.
5. When patient is clear of the commode surface (using the steering handles), move the lift away from the commode chair.
6. To return or place patient in a wheelchair. Refer to [Transferring to a Wheelchair](#) on page 35.

DETAIL “A” - GUIDING THE PATIENT



DETAIL “B” - LOWERING THE PATIENT

**FIGURE 9.1** Transferring to a Commode Chair**Transferring to a Standard Commode**

NOTE: For this procedure, refer to FIGURE 9.1.

NOTE: The patient MUST be transferred to a wheelchair and transported to the bathroom facilities before using the patient lift again to position the patient on a standard commode.

1. Move the patient from the bed to the wheelchair. Refer to Transferring to a Wheelchair on page 35.
2. Elevate the patient high enough to clear the standard commode and their weight supported by the patient lift.
3. With the help of both assistants, guide the patient onto the standard commode.
4. Lower the patient onto the standard commode leaving the sling attached to the swivel bar hooks.
5. When complete, recheck for correct attachment and then raise the patient off of the standard commode.
6. When patient is clear of the standard commode surface (using the steering handles), move the lift away from the standard commode.
7. To return or place a patient in a wheelchair, refer to Transferring to a Wheelchair on page 35.

Bathing

⚠ WARNING

When elevated a few inches off the surface of the bed and before moving the patient, check again to make sure that all hardware or straps are properly connected. Check each S-hook to make sure it is completely attached to the metal support bars of the sling. Check the attachment of the straps, O or D-rings to the swivel bar hooks. If any attachments are NOT properly in place, lower the patient completely to correct this problem.

Adjustments for safety and comfort should be made before moving the patient. Patient's arms should be inside of the chains or straps.

Invacare slings and hardware are made specifically for use with Invacare Patient Lifts. For the safety of the patient, DO NOT intermix slings and patient lifts of different manufacturers. Warranty will be voided.

NOTE: There are many portable bathing apparatuses. Refer to your particular portable bath instructions and use them in conjunction with this Owner's Manual.

1. Remove the patient from the bed. Refer to [Transferring to a Wheelchair](#) on page 35.
2. Elevate the patient high enough to clear the commode chair and their weight supported by the lift.
3. Lower the patient into the portable bath tub.
4. Detach chains/straps from sling and reattach to the portable bath tub.
5. Using the lift, raise the sides of the portable bath tub.
6. Bathe the patient.
7. Reverse procedures to return the patient to the bed.

SECTION 10—TRANSFERRING

Transferring to a Wheelchair

⚠ WARNING

When elevated a few inches off the seating surface of the wheelchair and before moving the patient, check again to make sure that all hardware and straps are properly connected. Check each S-hook to make sure it is completely attached to the metal support bars of the sling. Check the attachment of the straps, O or D-rings to the swivel bar hooks. If any attachments are **NOT** properly in place, lower the patient completely to correct this problem.

Adjustments for safety and comfort should be made before moving the patient. Patient's arms should be inside of the chains or straps.

Invacare slings and Hardware are made specifically for use with Invacare Patient Lifts. For the safety of the patient, **DO NOT** intermix slings and patient lifts of different manufacturers.

NOTE: For this procedure, refer to FIGURE 10.1 on page 36.

NOTE: Invacare recommends that two assistants be used when transferring a patient to a wheelchair.

1. Ensure the legs of the lift (w/patient) are in the opened position.
2. Move the wheelchair into position.
3. Lock the rear wheels to further prevent movement of the chair (Detail "A" of FIGURE 10.1).

⚠ WARNING

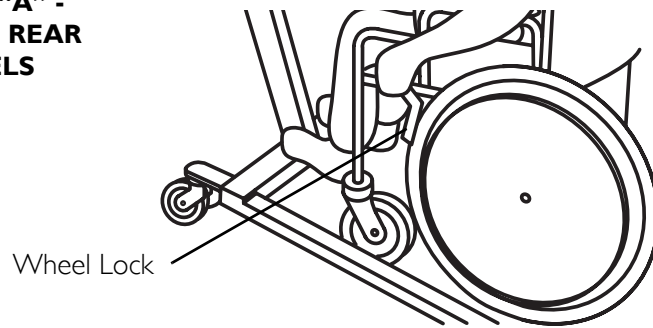
Wheelchair wheel locks MUST be in a locked position before lowering the patient into the wheelchair for transport.

4. Position the patient over the seat with their back against the back of the chair (Detail "B" of FIGURE 10.1).
5. Lower the patient either by doing one of the following:
 - Open the control valve.
 - Turn the crank counterclockwise.
6. The assistant behind the chair pulls back on either the handle or sides of the sling to place the patient into the back of the chair. (Detail "C" of FIGURE 10.1).

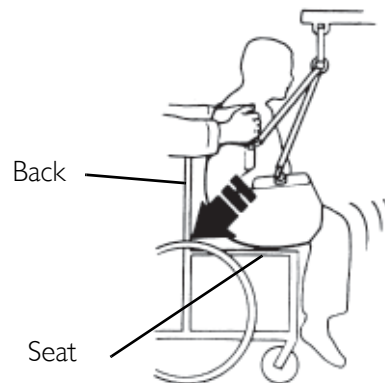
NOTE: Holding the handle or sides of the patient lift maintains a good center of balance and prevent the chair from tipping forward

7. Disconnect the sling from the patient lift.

**DETAIL “A” -
LOCKING REAR
WHEELS**



**DETAIL “B” -
GUIDING THE
PATIENT**



**DETAIL “C” -
SETTING THE
PATIENT**

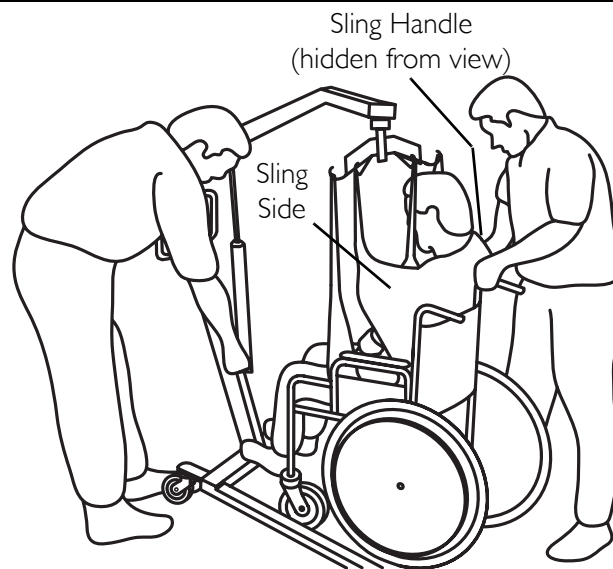


FIGURE 10.1 Transferring to a Wheelchair

Transferring to a Car

⚠ WARNING

When elevated a few inches off the seating surface of the wheelchair and before moving the patient, check again to make sure that all hardware or straps are properly connected. Check each S-hook to make sure it is completely attached to the metal support bars of the sling. Check the attachment of the straps, O or D-rings to the swivel bar hooks. If any attachments are not properly in place, lower the patient completely to correct this problem.

Adjustments for safety and comfort should be made before moving the patient. Patient's arms should be inside of the chains or straps.

Invacare slings and hardware are made specifically for use with Invacare Patient Lifts. For the safety of the patient, DO NOT intermix slings and patient lifts of different manufacturers.

NOTE: For this procedure, refer to FIGURE 10.2 on page 38.

NOTE: To position an individual in a sling, follow the procedures concerning lifting the patient, operation and sling attachments.

NOTE: Invacare recommends that two assistants be used when transferring a patient from a wheelchair to a car.

NOTE: The transfer to a car should be made on a level driveway or surface.

NOTE: Before lifting the patient from the chair, make sure to shorten the distance between the patient and the boom. This will make the transfer into the seat of the car easier.

NOTE: Assistants should practice "Good Body Mechanics" (use your legs) when positioning patient onto any seating surface.

1. Attach the chains or straps to swivel bar (Detail "A" of FIGURE 10.2).
2. Lock the rear wheels to further prevent movement of the chair (Detail "B" of FIGURE 10.2).
3. Lift the patient from the wheelchair (Detail "C" of FIGURE 10.2).
4. Move the lift, by the steering handles, to a position close to the doorway of the car.
5. Lower the boom of the lift until it is about even with the roof of the car.
6. As one assistant pushes the patient into the car by his knees until he/she is positioned over the seat of the car, the other assistant lowers the boom.
7. As the boom is being lowered, the first assistant is not only pushing but turning the patient so he/she is positioned facing the front of the car (Detail "D" of FIGURE 10.2).

NOTE: The patient will come to rest on the seat of the car.

8. While one assistant is holding the patient, the other assistant removes the chains or straps from the swivel bar and slides the patient lift out of the way (Detail "E" of FIGURE 10.2).

NOTE: The sling may be left under the patient or removed (Detail "F" of FIGURE 10.2).

9. If necessary, remove the mast, boom and pump assembly from the base and transport them in the car.

NOTE: If the lift and wheelchair are both packed in the trunk of the car, care should be taken not to damage the spokes of the wheelchair on the steering handles of the lift.

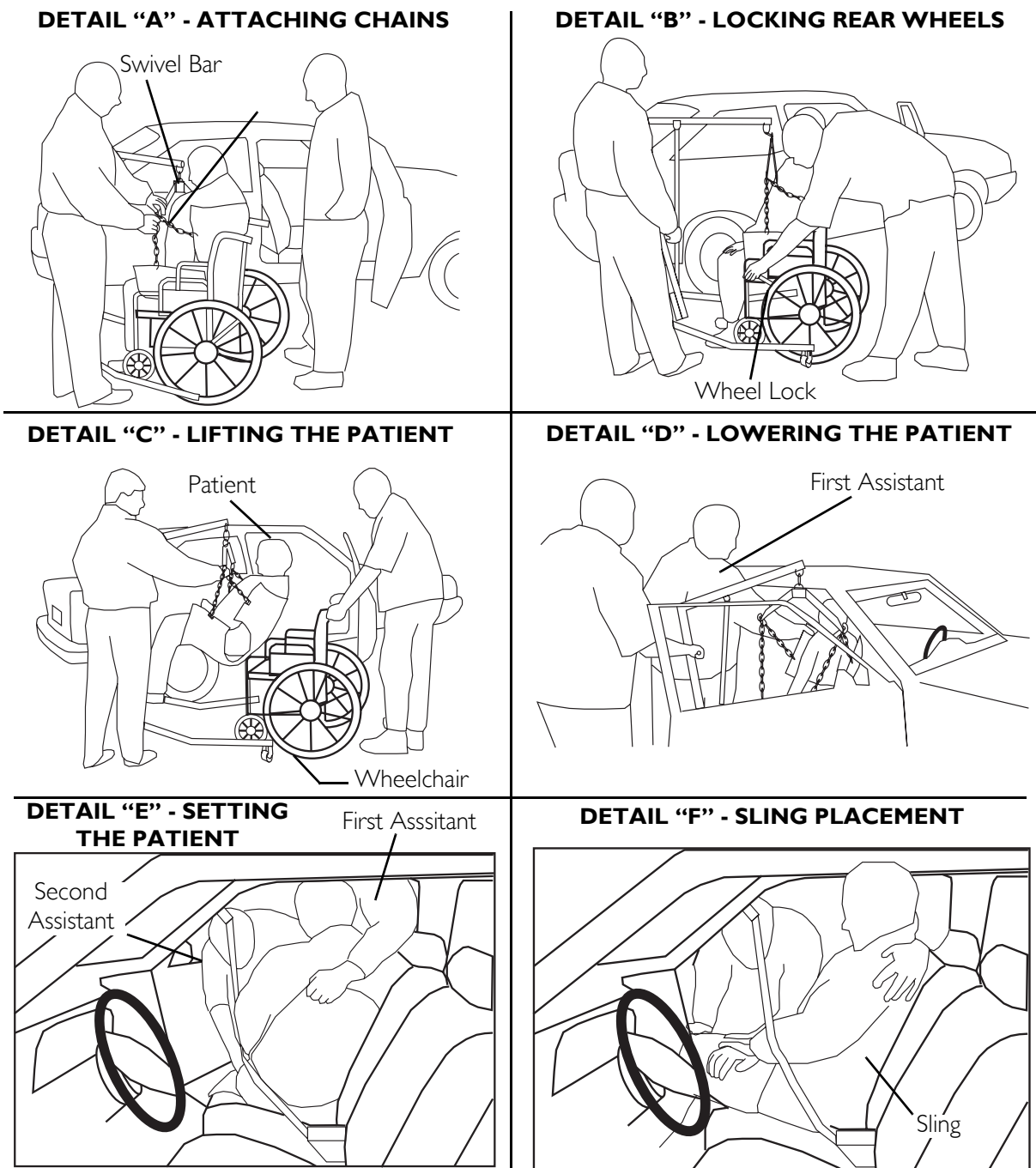


FIGURE 10.2 Transferring to a Car

Transferring from a Car to a Wheelchair

⚠ WARNING

When elevated a few inches off the seat of the car and before moving the patient, check again to make sure that all hardware or straps are properly connected. Check each S-hook to make sure it is completely attached to the metal support bars of the sling. Check the attachment of the straps, O or D-rings to the swivel bar hooks. If any attachments are NOT properly in place, lower the patient completely to correct this problem.

Adjustments for safety and comfort should be made before moving the patient. Patient's arms should be inside of the chains or straps.

Invacare slings and hardware are made specifically for use with Invacare Patient Lifts. For the safety of the patient, DO NOT intermix slings and patient lifts of different manufacturers. Warranty will be voided.

NOTE: For this procedure, refer to FIGURE 10.3 on page 40.

NOTE: Invacare recommends that two assistants be used when transferring a patient from a car to a wheelchair.

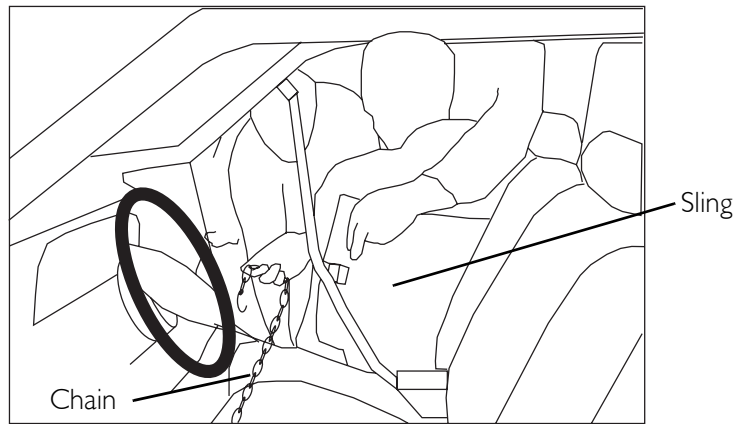
NOTE: One assistant MUST support patient at all times.

1. With the first assistant supporting the patient, the second assistant lowers the boom of the patient lift until the hooks of the swivel bar are even with the roof of the car.
2. Attach the sling to the swivel bar (Detail "A" of FIGURE 10.3).
3. Lift the patient up off of seat until straps are taut.
4. Turn patient with sling until legs are outside of car.

NOTE: assistants should practice "Good Body Mechanics" (use your legs) when positioning patient onto any seating surface.

5. Lift up on legs with one hand and tilt the patient back with the other hand.
6. The second assistant should pull the patient lift away from the car until the patient is completely clear of the door frame (Detail "B" of FIGURE 10.3).
7. Release the patient back to his/her normal sitting position in the sling.
8. Place patient in wheelchair. Refer to [Transferring to a Wheelchair](#) on page 35.

**DETAIL “A” -
ATTACHING THE
CHAINS**



**DETAIL “B” -
REMOVING THE
PATIENT FROM
THE CAR**

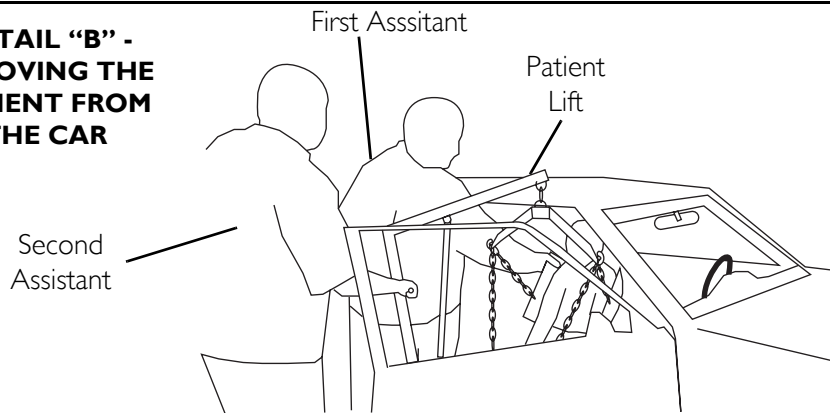


FIGURE 10.3 Transferring from a Car to a Wheelchair

SECTION II—CARE AND MAINTENANCE

NOTE: Follow the maintenance procedures described in this manual to keep your patient lift in continuous service.

The Invacare Patient Lift is designed to provide a maximum of safe, efficient and satisfactory service with minimum care and maintenance.

All parts of the Invacare Lift are made of the best grades of steel, but metal to metal contact will wear after considerable use.

There is no adjustment or maintenance the casters, other than cleaning, lubrication and checking axle and swivel bolts for tightness. Remove all debris, etc. from the wheel and swivel bearings. If any parts are worn, replace these parts IMMEDIATELY.

If you question the safety of any part of the lift, contact your Dealer IMMEDIATELY and advise him/her of your problem.

Hydraulic Pump

All parts of the Hydraulic Pump are precision machined, then carefully assembled and tested to ensure reliable service. The pump assembly is completely enclosed and sealed with Neoprene rings to prevent leakage of hydraulic oil. A small amount of oil (about a drop) will accumulate around the piston from time to time and should be removed with a facial tissue.

⚠ WARNING

The hydraulic pump is sealed at the factory and if service is required, the pump unit MUST be returned to the factory for repair. DO NOT attempt to open the hydraulic pump or obtain local service. This will void the warranty and might result in damage and costly repair. Consult your Dealer or write Invacare for information.

Lubrication

The Invacare lift is designed for minimum maintenance; however, a six month check and lubrication should ensure continued safety and reliability.

Keep lift and slings clean and in good working order. Any defect should be noted and reported to your dealer as soon as possible.

The casters MUST swivel and roll smoothly. A light grease (waterproof auto lubricant) may be applied to the ball bearing swivel of the casters once a year. Apply grease more frequently if the casters are exposed to extreme moist conditions.

The connection between the mast and the base should be cleaned and coated with petroleum jelly prior to assembly.

Lubricate all pivot points. Wipe all excess lubricant from lift surface.

1. Swivel Bar at Mounting Bracket
2. Boom Mounting Bracket
3. Boom to Mast Mount
4. Mast Mounting Bracket
5. Base to Mast Mount
6. Rear Casters
7. Front Casters

Wear and Damage

It is important to inspect all stressed parts, such as slings, spreader bar and any pivot for slings for signs of cracking, fraying, deformation or deterioration. Replace any defective parts IMMEDIATELY and ensure that the lift is not used until repairs are made.

All sling metal parts should be inspected every three months, and if wear is apparent, replacement must be made.

Check that all labels are present and legible. Replace if necessary.

Cleaning

The sling should be washed regularly in hot water (maximum temperature of 180°F (82°C)) and a biological solution. A soft cloth, dampened with water and a small amount of mild detergent, is all that is needed to clean the patient lift. The lift can be cleaned with non-abrasive cleaners. Auto wax or furniture polish will help maintain the sparkling finish over a long period of time.

Ensure that casters are free of debris.

Maintenance Safety Inspection Checklist

ITEM	INITIALLY	INSTITUTIONAL INSPECT/ ADJUST MONTHLY	IN-HOME INSPECT/ ADJUST EVERY SIX MONTHS	IN-HOME INSPECT/ ADJUST MONTHLY
CASTER BASE Inspect for missing hardware. Lift Base opens/closes with ease. Inspect roll pin to ensure secure base. Inspect casters and axle bolts for tightness. Inspect casters for smooth swivel and roll. Apply a light grease to caster ball bearings.	X X X X X	X X X X	 X	X X X X
SHIFTER HANDLE Operates smoothly. Locks adjustable base whenever engaged. Check roll pin for wear.	X X X	 X X	X	 X X
MAST Mast should lock securely when assembled. Inspect for bends or deflections.	X X	X X		X X
BOOM Check all hardware and swivel bar supports. Inspect for bends or deflections. Inspect bolted joints of boom for wear. Inspect to ensure that the boom is centered between the base legs.	X X X X	X X X X	 X	X X X X
SWIVEL BAR Check the hooks for wear or damaged. Check sling hooks for wear or deflection.	X X	X X	X X	X X
PUMP ASSEMBLY Check for leakage. Inspect hardware on mast and boom. Check for wear or deflection of rod.	X X X	X X X	X X X	X X X
PUMP HANDLE Check for smooth operation.	X		X	
CONTROL VALVE Easy to maneuver and closes easily.	X		X	
CLEANING Whenever necessary.			X	
SLINGS AND HARDWARE Chains, S-hooks, O-Rings and D-Rings each time it is used to ensure proper connection and patient safety. Inspect sling attachments and material for wear. Inspect nylon web straps for wear.	X X X	X X X		X X X

*NOTE: For individual home use, a full inspection is required prior to each new user.

**NOTE: Regular cleaning will reveal loose or worn parts, enhance smooth operation and extend life expectancy of the lift.

LIMITED WARRANTY

PLEASE NOTE: THE WARRANTY BELOW HAS BEEN DRAFTED TO COMPLY WITH FEDERAL LAW APPLICABLE TO PRODUCTS MANUFACTURED AFTER JULY 4, 1975.

This warranty is extended only to the original purchaser/user of our products.

This warranty gives you specific legal rights and you may also have other legal rights which vary from state to state.

Invacare warrants the products manufactured to be free from defects in materials and workmanship for a period of three years on the lift and one year on the slings, hydraulic pump / electric components from the date of purchase. If within such warranty period any such product shall be proven to be defective, such product shall be repaired or replaced, at Invacare's option. This warranty does not include any labor or shipping charges incurred in replacement part installation or repair of any such product. Invacare's sole obligation and your exclusive remedy under this warranty shall be limited to such repair and/or replacement.

For warranty service, please contact the dealer from whom you purchased your Invacare product. In the event you do not receive satisfactory warranty service, please write directly to Invacare at the address on the back cover, provide dealer's name, address, date of purchase, indicate nature of the defect.

Invacare Corporation will issue a serialized return authorization. The defective unit or parts **MUST** be returned for warranty inspection using the serial number, when applicable as identification within 30 days of return authorization date. Do not return products to our factory without our prior consent. C.O.D. shipments will be refused; please prepay shipping charges.

LIMITATIONS AND EXCLUSIONS: THE FOREGOING WARRANTY SHALL NOT APPLY TO SERIAL NUMBERED PRODUCTS IF THE SERIAL NUMBER HAS BEEN REMOVED OR DEFACED, PRODUCTS SUBJECTED TO NEGLIGENCE, ACCIDENT, IMPROPER OPERATION, MAINTENANCE OR STORAGE, PRODUCTS MODIFIED WITHOUT INVACARE'S EXPRESS WRITTEN CONSENT (INCLUDING, BUT NOT LIMITED TO, MODIFICATION THROUGH THE USE OF UNAUTHORIZED PARTS OR ATTACHMENTS; PRODUCTS DAMAGED BY REASON OF REPAIRS MADE TO ANY COMPONENT WITHOUT THE SPECIFIC CONSENT OF INVACARE, OR TO A PRODUCT DAMAGED BY CIRCUMSTANCES BEYOND INVACARE'S CONTROL, AND SUCH EVALUATION WILL BE SOLELY DETERMINED BY INVACARE. THE WARRANTY SHALL NOT APPLY TO PROBLEMS ARISING FROM NORMAL WEAR OR FAILURE TO ADHERE TO THE INSTRUCTIONS IN THIS MANUAL.

THE FOREGOING WARRANTY IS EXCLUSIVE AND IN LIEU OF ANY OTHER EXPRESS WARRANTIES. IMPLIED WARRANTIES, IF ANY, INCLUDING THE IMPLIED WARRANTIES OF MERCHANTABILITY AND FITNESS FOR A PARTICULAR PURPOSE, SHALL NOT EXTEND BEYOND THE DURATION OF THE EXPRESSED WARRANTY PROVIDED HEREIN AND THE REMEDY FOR VIOLATIONS OF ANY IMPLIED WARRANTY SHALL BE LIMITED TO REPAIR OR REPLACEMENT OF THE DEFECTIVE PRODUCT PURSUANT TO THE TERMS CONTAINED HEREIN. INVACARE SHALL NOT BE LIABLE FOR ANY CONSEQUENTIAL OR INCIDENTAL DAMAGES WHATSOEVER.

SOME STATES DO NOT ALLOW EXCLUSION OR LIMITATION OF INCIDENTAL OR CONSEQUENTIAL DAMAGE, OR LIMITATION ON HOW LONG AN IMPLIED WARRANTY LASTS, SO THE ABOVE EXCLUSIONS AND LIMITATIONS MAY NOT APPLY TO YOU.

THIS WARRANTY SHALL BE EXTENDED TO COMPLY WITH STATE OR PROVINCIAL LAWS AND REQUIREMENTS.

Invacare Corporation www.invacare.com



Yes, you can.

USA
One Invacare Way
Elyria, Ohio USA
44036-2125
800-333-6900

Canada
570 Matheson Blvd E Unit 8
Mississauga Ontario
L4Z 4G4 Canada
800-668-5324

Invacare, the Medallion design, and Yes, you can. are registered trademarks of Invacare Corporation.

© 2006 Invacare Corporation

Part No 1024492

Rev E - 05/23/06