

Patient Transport Lifts and Slings



Yes, you can.

Parts Catalog Usage Guide

The information contained in this document is subject to change without notice. This catalog contains service parts for Form No. 92-47. If you have any questions regarding this catalog, please contact one of our Customer Service Representatives.

For Customer Service Support Call:

1-800-333-6900

For Faxed In Orders Call:

1-800-678-4682 or

1-440-366-0709

For Technical Service Call:

1-800-832-4707

Literature Can Be Found at:

www.invacare.com or

1-800-828-6272

SYMBOL DEFINITION

Throughout this catalog you will notice letters to draw your attention to specific footnotes which are located at the bottom of the page or below specified charts.

Examples:

A,B,C etc. = Special Comments

NOTE: = General information pertaining to that specific page

NLA = No Longer Available

HARDWARE MEASUREMENTS

The measurements for the hardware will be listed as follows:

Screws, Bolts Diameter X Thread Count/Pitch X Length

Washers Inside Diameter X Outside Diameter X Thickness

Spacers Inside Diameter X Outside Diameter X Length

For your convenience, we have supplied an area for you to list your Invacare Representatives.

Name	Phone Numbers

© 2022 Invacare Corporation, Elyria, Ohio. Invacare, the Medallion Design and Yes, you can. are registered trademarks of the Invacare Corporation. Information is subject to change without notification.

TABLE of CONTENTS

Description	Page Number
Arm & Horn Assembly - Get-U-Up - GHS350	90
Arm/Horn Assembly - RPS350-1 (After 7/1/10)	5
Arm/Horn Assembly - RPS350-1 (Before 7/2/10)	7
Arm/Horn Assembly - RPS350-2 (After 7/1/10)	65
Arm/Horn Assembly - RPS350-2 (Before 7/2/10)	63
Base Assembly - Get-U-Up - GHS350	92
Base Assembly - RPA600-1	31
Base Assembly - RPL/ RPA 450-1 and RHL/ RHA 450-1 (After 7/1/10)	19
Base Assembly - RPL/ RPA 450-1 and RHL/ RHA 450-1 (Before 7/2/10)	22
Base Assembly - RPL450-2	57
Base Assembly - RPL600-1 (After 7/1/10)	40
Base Assembly - RPL600-1 (Before 7/2/10)	43
Base Assembly - RPL600-2	51
Base Assembly - RPS350-1 (After 7/1/10)	9
Base Assembly - RPS350-1 (Before 7/2/10)	12
Base Assembly - RPS350-2	67
Base Assembly - RPS440 Power Stand-Up Lift	86
Boom Assembly - RPA600-1	37
Boom Assembly - RPL/ RPA 450-1 and RHL/ RHA 450-1	25
Boom Assembly - RPL450-2	59
Boom Assembly - RPL600-1	48

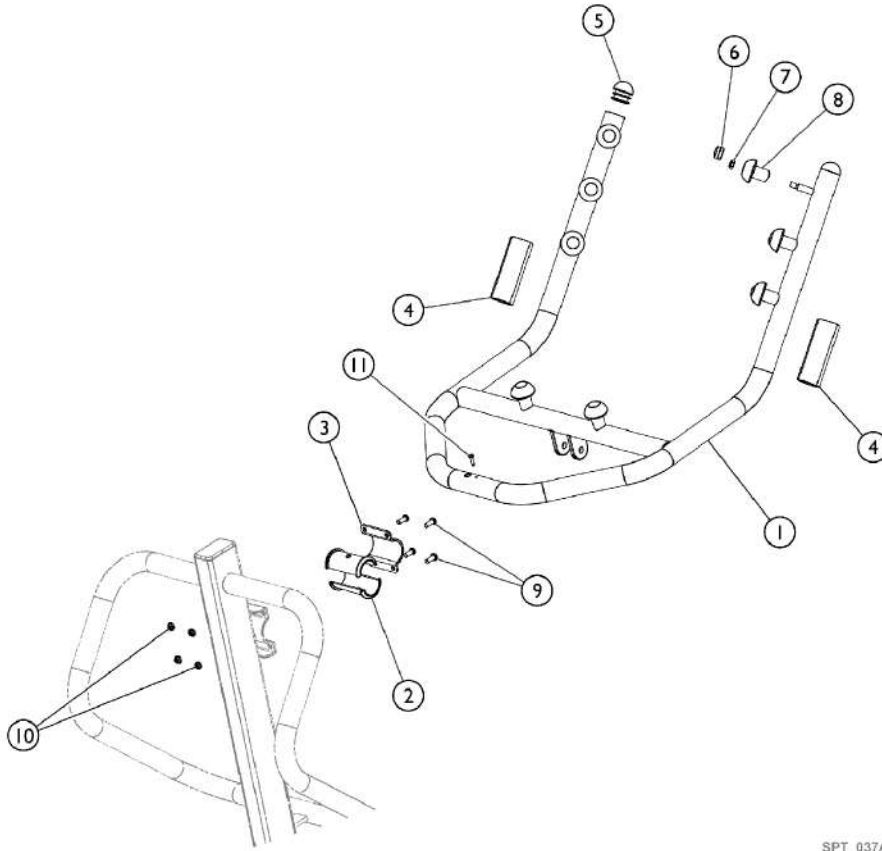
TABLE of CONTENTS

Description	Page Number
Boom Assembly - RPL600-2	53
Casters - Locking - (1110421 Pair) For Reliant, 9805/9805P & GHS350 Lifts	99
Hydraulic Patient Lift - 9805	75
Hydraulic Patient Lift - 9805P	79
Hydraulic Pump - 9099 and 9099P	83
Jasmine Full Body Lift - Base Assembly (After 9/1/2011)	110
Jasmine Full Body Lift - Cradle / Cradle XL Assembly	116
Jasmine Full Body Lift - Labels, Hanger Bar, Battery Pack, Controller and Hand Control (After 9/1/2011)	118
Jasmine Full Body Lift - Labels, Hanger Bar, Battery Pack, Controller and Hand Control (Before 9/2/11)	121
Jasmine Full Body Lift - Mast/Boom Assembly	113
Mast Assembly - Get-U-Up - GHS350	94
Mast Assembly - RPA600-1	34
Mast Assembly - RPL/ RPA 450-1 and RHL/ RHA 450-1	28
Mast Assembly - RPL450-2	61
Mast Assembly - RPL600-1	46
Mast Assembly - RPL600-2	55
Mast Assembly - RPS350-1 (After 7/1/10)	14
Mast Assembly - RPS350-1 (Before 7/2/10)	16
Mast Assembly - RPS350-2 (After 7/1/10)	72
Mast Assembly - RPS350-2 (Before 7/2/10)	69
Mast Assembly - RPS440 Power Stand-Up Lift	88

TABLE of CONTENTS

Description	Page Number
Miscellaneous Sling Components	137
Packaging & Literature	103
Reliant Bath Lift - RBL250 (Discontinued 9/15/00)	97
Roze Stand Up Lift - Base Assembly (After 9/1/2011)	125
Roze Stand Up Lift - Base Assembly (Before 8/30/11)	123
Roze Stand Up Lift - Labels, Hanger Hardware, Battery Pack, Controller and Hand Control (After 9/1/2011)	128
Roze Stand Up Lift - Labels, Hanger Hardware, Battery Pack, Controller and Hand Control Roze Stand Up Lift - Base Assembly (Before 8/30/11)	130
Roze Stand Up Lift - Mast and Boom Assembly	132
Slings	135
WT200 Walking Tutor Attachment - Reliant 440	101

Arm/Horn Assembly (After 7/1/10) Model RPS350-1



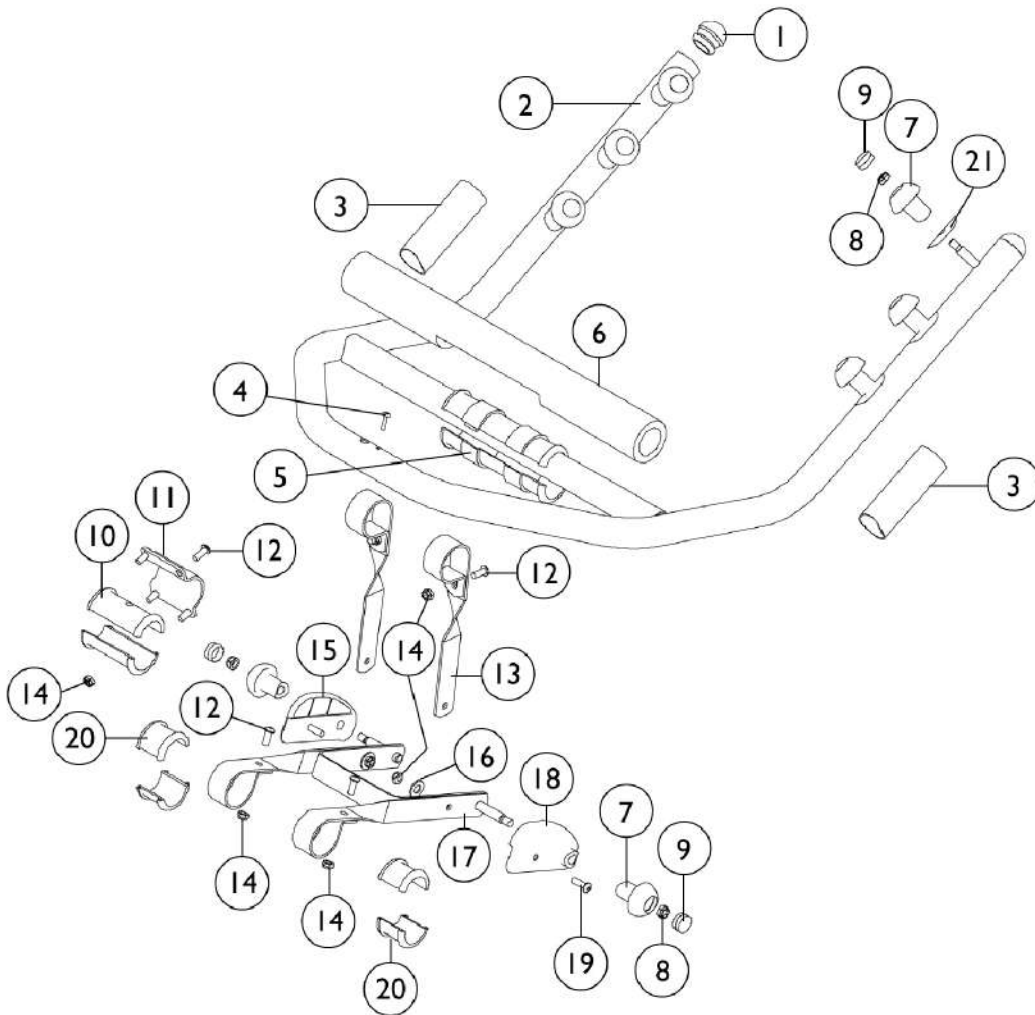
SPT_037A

Arm/Horn Assembly (After 7/1/10) Model RPS350-1

Item Number	Note	Part Number	Description	Quantity Per	
				Package	Assembly
1		1156174	Arm/Horn Tube Assembly	1	1
2		1156173	Bushing, Horn	1	2
3		1071834	Bracket, Horn, Grey	1	1
4		1076388	Pad, Grip	1	2
5		1071249	Plug Button, Dome, Black (1-1/4")	1	2
6		1070902	Cap, Hook	1	8
7		1028769	Locknut (5/16-18)	1	8
8		1070177	Knob, Hook, Black	1	8
9		1007269	Screw, Socket Button Head (1/4-20 x 5/8")	1	4
10		1025195	Locknut (1/4-20)	1	4
11		12642X000	Screw (#8-18 x 5/8")	1	1

Arm/Horn Assembly (Before 7/2/10)

Model - RPS350-1



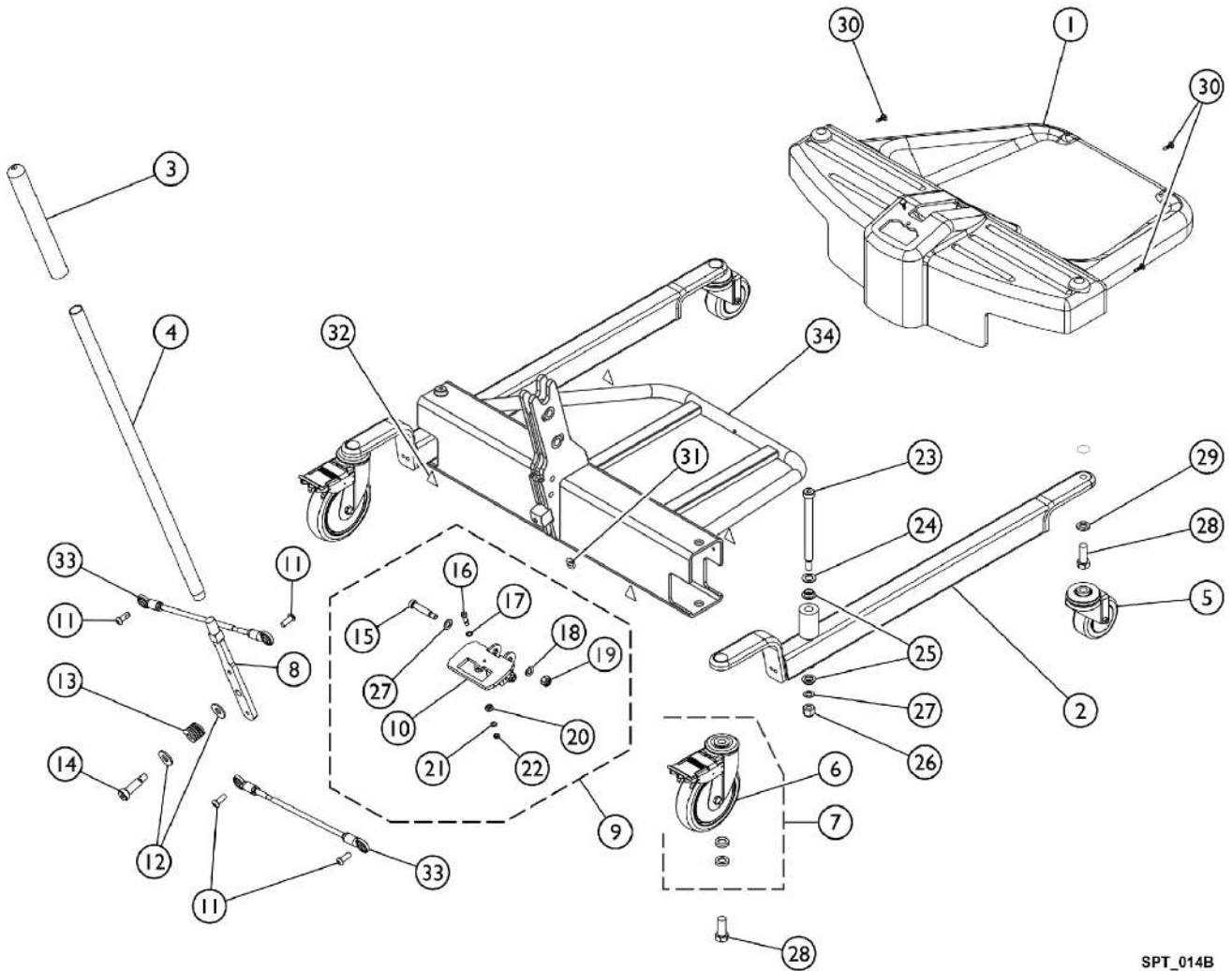
Arm/Horn Assembly (Before 7/2/10)

Model - RPS350-1

Item Number	Note	Part Number	Description	Quantity Per	
				Package	Assembly
1		1071249	Plug Button, Dome, Black (1-1/4")	1	2
2		1071091-NLA	NLA - Arm/Horn Tube Assembly	1	1
3		1076388	Pad, Grip	1	2
4		12642X000	Screw (#8-18 x 5/8")	1	1
5		1070180-NLA	NLA - Bushing, Drive Lift	1	2
6		1070969	Bar, Pad	1	1
7		1070177	Knob, Hook, Black	1	8
8		1028769	Locknut (5/16-18)	1	8
9		1070902	Cap, Hook	1	8
10		1070175	Bushing, Horn	1	2
11		1071834	Bracket, Horn, Grey	1	1
12		1007269	Screw, Socket Button Head (1/4-20 x 5/8")	1	8
13		1071835-NLA	NLA - Bracket, Linkage, Grey	1	2
14		1025195	Locknut (1/4-20)	1	10
15		1071831-NLA	NLA - Spacer, Guard - Left	1	1
16		1049527	Washer, Nylon (3/8 x 3/4 x 1/16")	1	2
17		1071154-NLA	NLA - Linkage Bracket Assembly	1	1
18		1071830-NLA	NLA - Spacer, Guard - Right	1	1
19		1009838	Screw, Socket Button (1/4-20 x 3/4")	1	2
20		1070176	Bushing, Handle	1	4
21		1073706-NLA	NLA - Label, Lift - Tall, Medium, and Short	1	1

Base Assembly (After 7/1/10)

Model RPS350-1



SPT_014B

Base Assembly (After 7/1/10) Model RPS350-1

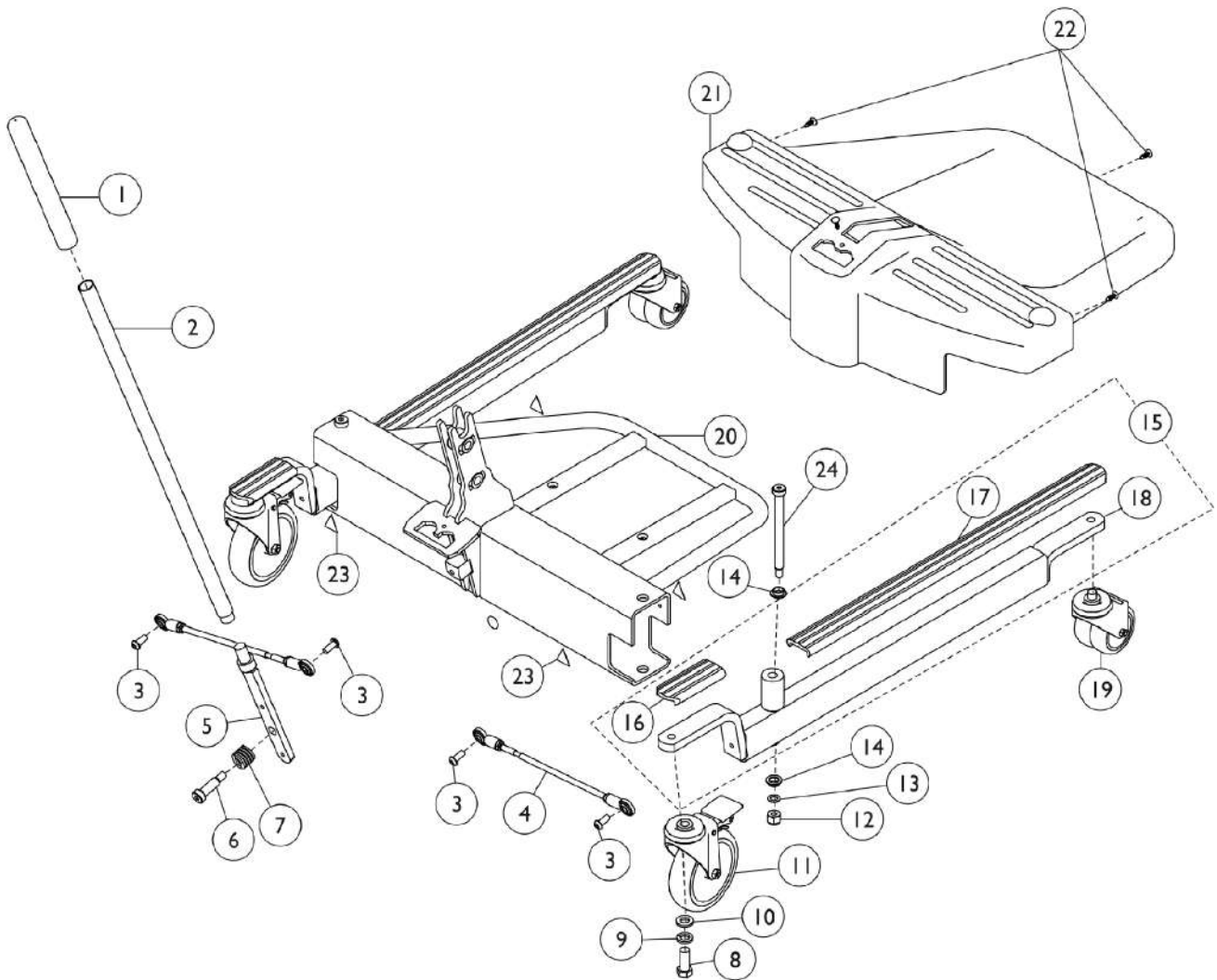
Item Number	Note	Part Number	Description	Quantity Per	
				Package	Assembly
1		1156179	Shroud, Footrest	1	1
2		1095671	Leg, Single	1	2
3		1032246	Grip, Cane	1	1
4		1078287	Handle, Grey	1	1
5		1155118	Caster, Swivel (3")	1	2
6	A	1123539	Caster Assembly, Swivel w/ Brake (5")	1	2
7	B	1110421	Kit, Caster Assembly, Swivel w/ Brake (5") (Pair)	1	1
			Caster Assembly, Swivel w/ Brake (5")	1	2
			Bushing (15/32 x 1-1/16 x 9/32")	1	2
			Instruction Sheet	1	1
8		1156176	Handle, Mounting	1	1
9	C	1169830	Kit, Index Plate w/ Hardware	1	1
10			Bracket, Index Plate	1	1
15			Screw, Shoulder Hex Socket Head (3/8 x 1-1/2", 5/16-18)	1	2
16			Screw, Shoulder, Hex Socket (1/4 x 1/2", 10-32)	1	1
17			Washer, Flat (1/4 x 3/8 x 1/16)	1	1
18			Washer, Flat (5/16 x 5/8 x 1/16")	1	2
19			Locknut (5/16-18)	1	2
20			Roller, Index Plate	1	1
21			Washer, Flat (7/32 x 13/32 x 1/16)	1	1
22			Locknut (#10-32)	1	1
27			Washer, Flat (3/8 x 11/16 x 1/16")	1	2
11		1155720	Screw, Socket, Button Head w/ Patch (5/16-18 x 13/16")	1	4
12		1068305	Washer (1/2")	1	2
13		1064122	Spring, Compression (1 x 1-1/16 x 1/8")	1	1
14		1029134	Screw, Shoulder Hex Socket Head w/ Patch (1/2" x 1-1/4", 3/8-16)	1	1
23		1062424	Screw, Shoulder Hex Socket Head (1/2" x 5", 3/8-16)	1	2
24		1026174	Washer (1/2 x 7/8 x 3/64")	1	4
25		1062419	Bushing, Flanged	1	4
26		1065216	Locknut (3/8-16)	1	2
27		1065214	Washer, Flat (3/8 x 11/16 x 1/16")	1	3
28		1073884	Screw, Hex Head (1/2-13 x 1-1/4")	1	2
29		1014371	Lockwasher (1/2")	1	4
30		1023632	Clip, Shroud	1	4
31		1079113	Label, Year of Manufacture	1	1
32		1079112	Label, Attention	1	4
33		1065152	Tie Rod Assembly	1	2
34		1147175	Cross Support with Footrest	1	1

Base Assembly (After 7/1/10)

Model RPS350-1

NOTE: A - Also available as a part of a kit, see item 7 (1110421).
B - Kit includes (2) Swivel Casters, (2) Bushings, and an Instruction Sheet.
C - Kit includes items 10, 15 - 22, and item 27.

Base Assembly (Before 7/2/10) Model RPS350-1

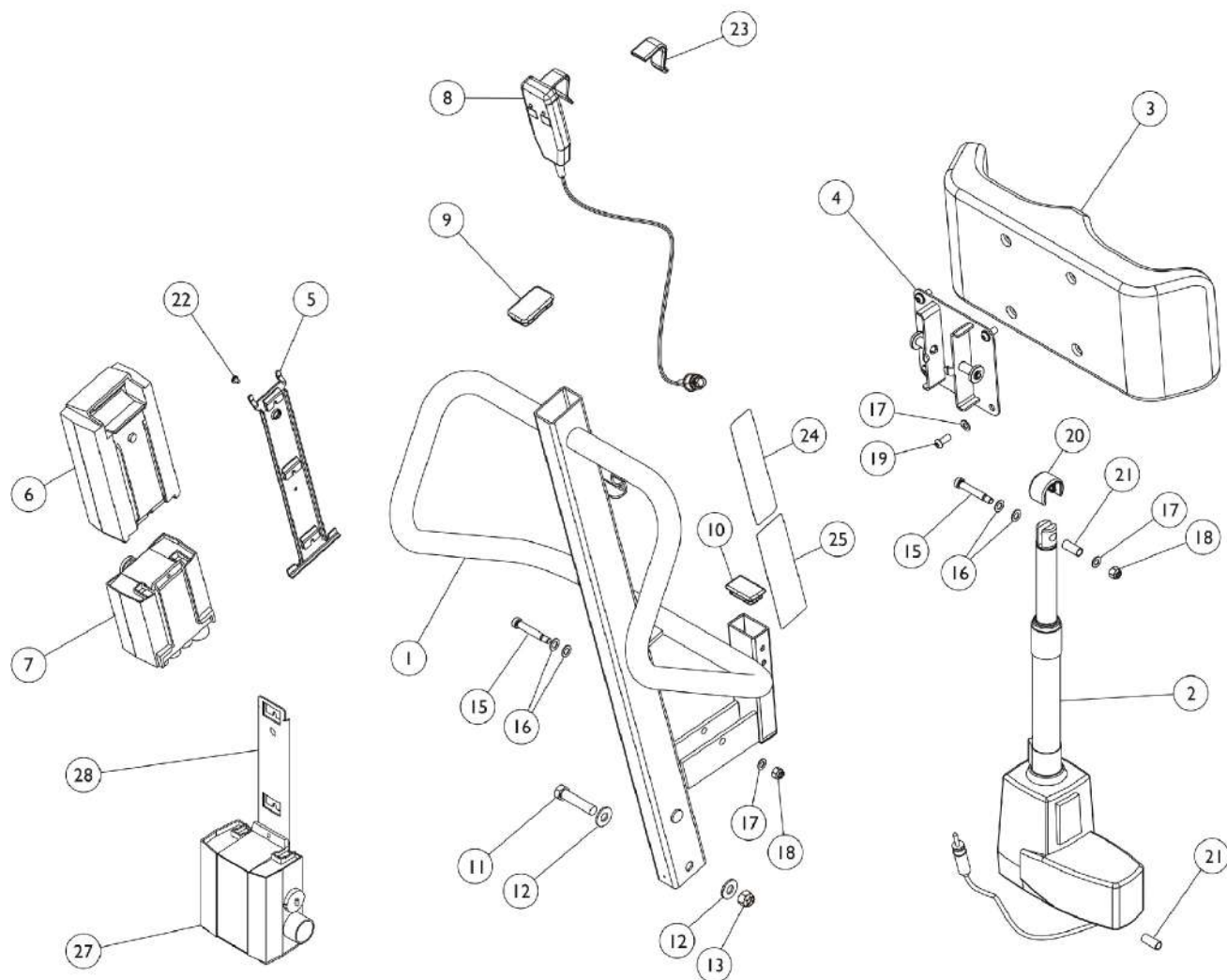


Base Assembly (Before 7/2/10) Model RPS350-1

Item Number	Note	Part Number	Description	Quantity Per	
				Package	Assembly
1		1032246	Grip, Cane	1	1
2		1078287	Handle, Grey	1	1
3		1065215	Screw, Socket Button Head w/ Patch (5/16-18 x 3/4")	1	4
4		1065152	Tie Rod Assembly	1	2
5		1078289-NLA	NLA - Handle, Mount	1	1
6		1029134	Screw, Shoulder Hex Socket Head w/ Patch (1/2" x 1-1/4", 3/8-16)	1	1
7		1064122	Spring, Compression (1 x 1-1/16 x 1/8")	1	1
8		1073884	Screw, Hex Head (1/2-13 x 1-1/4")	1	2
9		1014371	Lockwasher (1/2")	1	2
10		1073885-NLA	NLA - Washer (1/2 x 15/16 x 1/8")	1	2
11	C	1123539	Caster Assembly, Swivel w/ Brake (5")	1	2
	D,G	1110421	Kit, Caster Assembly, Swivel w/ Brake (5") (Pair)	1	1
			Caster Assembly, Swivel w/ Brake (5")	1	2
			Bushing (15/32 x 1-1/16 x 9/32")	1	2
			Instruction Sheet	1	1
12		1065216	Locknut (3/8-16)	1	2
13		1065214	Washer, Flat (3/8 x 11/16 x 1/16")	1	2
14		1062419	Bushing, Flanged	1	4
15	A	1095673	Kit, Leg	1	1
16			Cover, Rear Leg (Short) - Low Base/ Standard Base	1	2
17			NLA - Cover, Leg	1	2
18			Leg, Single	1	2
18	F	1095671	Leg, Single	1	2
18	B	1078977-NLA	Leg, Single	1	2
19	E	1123560	Caster, Swivel Dual (3")	1	2
20	I	1078973-NLA	NLA - Cross Support	1	1
21	H	1078294-NLA	NLA - Shroud, Footrest	1	1
21		1156179	Shroud, Footrest	1	1
22		1023632	Clip, Shroud	1	4
23		1079112	Label, Attention	1	1
24		1062424	Screw, Shoulder Hex Socket Head (1/2" x 5", 3/8-16)	1	2

NOTE: A - After 4/13/00 Base Legs were lowered for improved clearance.
B - Before 4/14/00.
C - Also, available as a pair, refer to Part #1110421.
D - Not Shown.
E - Caster stem is threaded. No additional hardware needed.
F - For all lifts built before 4/14/2000, must buy two with no covers included.
G - Bushings added 7/30/12 and used for 9805/9805P Lifts only to provide clearance for the caster to rotate freely.
H - Part #1078294 is NLA. Order Item #21 part number 1156179 as a replacement.
I - See Page titled Base Assembly RPS 350-1 Dated After 7/1/10 and order item number 1, 9 and 34 as a replacement.

Mast Assembly (After 7/1/10) Model RPS350-1



Mast Assembly (After 7/1/10)

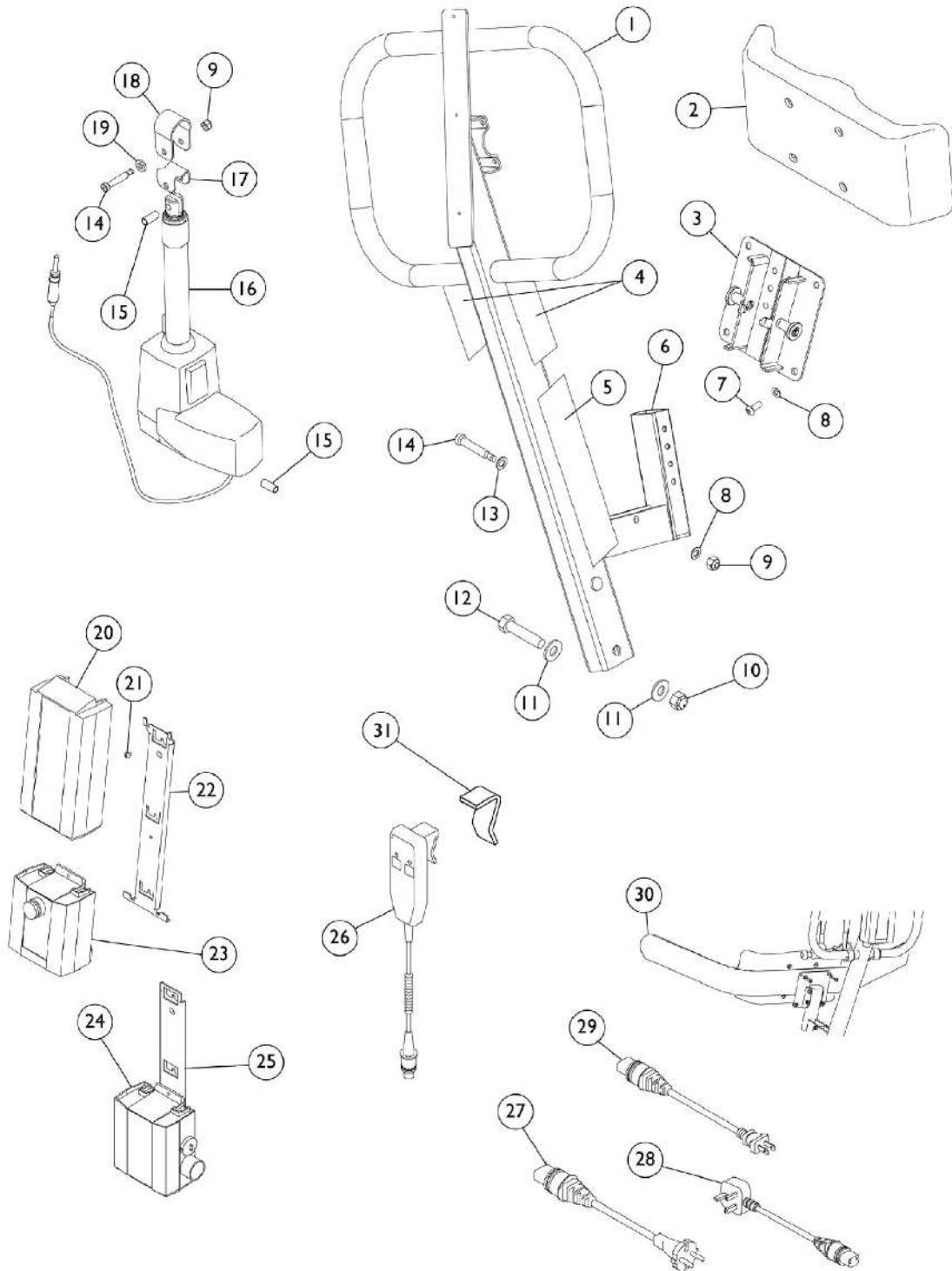
Model RPS350-1

Item Number	Note	Part Number	Description	Quantity Per	
				Package	Assembly
1		1156181	Handle Assembly, Lift	1	1
2	B	1156180	Actuator, Motor	1	1
3		1070803	Pad, Knee	1	1
4		1097071	Mounting, Pad	1	1
5		1078284	Bracket, Battery - Electric Only	1	1
6		1078276	Battery Pack, Linak	1	1
7		1078275	Controller - Electric Only	1	1
8		1177604	Pendant, Two Channel w/ Hook	1	1
9		1065361	Cap, End, Black (1-1/2 x 2-1/2")	1	1
10		1065360	Cap, End, Black (1-1/4 x 2")	1	1
11		1078979	Screw, Hex Head (1/2-13 x 2-1/4")	1	1
12		1068305	Washer (1/2")	1	2
13		1078981	Locknut (1/2-13)	1	1
15		1064455	Screw, Shoulder Hex Socket Head (3/8 x 1-3/4", 5/16-18)	1	2
16		1065214	Washer, Flat (3/8 x 11/16 x 1/16")	1	4
17		1025704	Washer, Flat (5/16 x 5/8 x 1/16")	1	5
18		1064267	Locknut (5/16-18)	1	2
19		1071955	Screw, Socket Button Head (5/16-18 x 3/4")	1	4
20		1155357	Cap, Actuator	1	1
21		1064443	Bushing (3/8 x 15/32 x 1-3/32")	1	2
22		1078980	Screw, Phillips Pan Head (#10-24 x 1/4")	1	3
23		1161593	Package, Rubber Clip	10	1
24		1073705-NLA	NLA - Decal, Reliant 350 Logo	1	1
25		1073699-NLA	NLA - Decal, Warning - Reliant 350	1	1
	A	1079135-NLA	NLA - Cord, European - Electric Only	1	1
	A	1079133	Cord, Power, USA	1	1
	A	1078982	Strap, Leg	1	1
27	D	1078274	Charger, Electric Only w/o Power Cord	1	1
28		1078306	Bracket, Wall Mount Charger	1	1
	A,C	1078982	Strap, Leg	1	1
	E	1079815	Kit, Charger - USA Only	1	1
6			Battery Pack, Linak	1	1
27			Charger, Electric Only w/o Power Cord	1	1
28			Bracket, Wall Mount Charger	1	1
			Cord, Power, USA	1	1

NOTE: A - Not shown in illustration.
B - This item is for all Lifts manufactured after 7/1/2010 only. Please check for serial number of lift before ordering. Part does not work on lifts manufactured before 7/1/2010.
C - This is an accessory only and is not sent out with new units. Used for additional leg support.
D - Power Cord not included with Charger.
E - Includes items 6, 27, 28 and 1079133 (not shown)

Mast Assembly (Before 7/2/10)

Model - RPS350-1



Mast Assembly (Before 7/2/10) Model - RPS350-1

Item Number	Note	Part Number	Description	Quantity Per	
				Package	Assembly
1		1097074-NLA	NLA - Handle Assembly, Lift	1	1
2		1070803	Pad, Knee	1	1
3		1097071	Mounting, Pad	1	1
4		1073705-NLA	NLA - Decal, Reliant 350 Logo	1	2
5		1073699-NLA	NLA - Decal, Warning - Reliant 350	1	1
6		1065360	Cap, End, Black (1-1/4 x 2")	1	1
7		1071955	Screw, Socket Button Head (5/16-18 x 3/4")	1	4
8		1025704	Washer, Flat (5/16 x 5/8 x 1/16")	1	5
9		1064267	Locknut (5/16-18)	1	2
10		1078981	Locknut (1/2-13)	1	1
11		1068305	Washer (1/2")	1	2
12		1078979	Screw, Hex Head (1/2-13 x 2-1/4")	1	1
13		1065214	Washer, Flat (3/8 x 11/16 x 1/16")	1	1
14		1064455	Screw, Shoulder Hex Socket Head (3/8 x 1-3/4", 5/16-18)	1	2
15		1064443	Bushing (3/8 x 15/32 x 1-3/32")	1	2
16	B,C	1078974	Actuator Motor	1	1
	A	1133691	Package, Emergency Pull Pin	10	1
17		1071833-NLA	NLA - Bracket, Drive, Grey - Lower	1	1
18		1071832-NLA	NLA - Bracket, Drive, Grey - Upper	1	1
19		1069548-NLA	NLA - Washer, Steel (7/16 x 13/16 x 1/8")	1	1
20		1078276	Battery Pack, Linak	1	1
21		1078980	Screw, Phillips Pan Head (#10-24 x 1/4")	1	3
22		1078284	Bracket, Battery - Electric Only	1	1
23		1078275	Controller - Electric Only	1	1
24	E	1078274	Charger, Electric Only w/o Power Cord	1	1
25		1078306	Bracket, Wall Mount Charger	1	1
26		1177604	Pendant, Two Channel w/ Hook	1	1
27		1079134-NLA	NLA - Cord, UK - Electric Only	1	1
28		1079135-NLA	NLA - Cord, European - Electric Only	1	1
29		1079133	Cord, Power, USA	1	1
30	D	1078982	Strap, Leg	1	1
	A	1075653	Label, CE Marking	1	1
31		1161593	Package, Rubber Clip	10	1
	F	1079815	Kit, Charger - USA Only	1	1
20			Battery Pack, Linak	1	1
24			Charger, Electric Only w/o Power Cord	1	1
25			Bracket, Wall Mount Charger	1	1
29			Cord, Power, USA	1	1

Mast Assembly (Before 7/2/10)

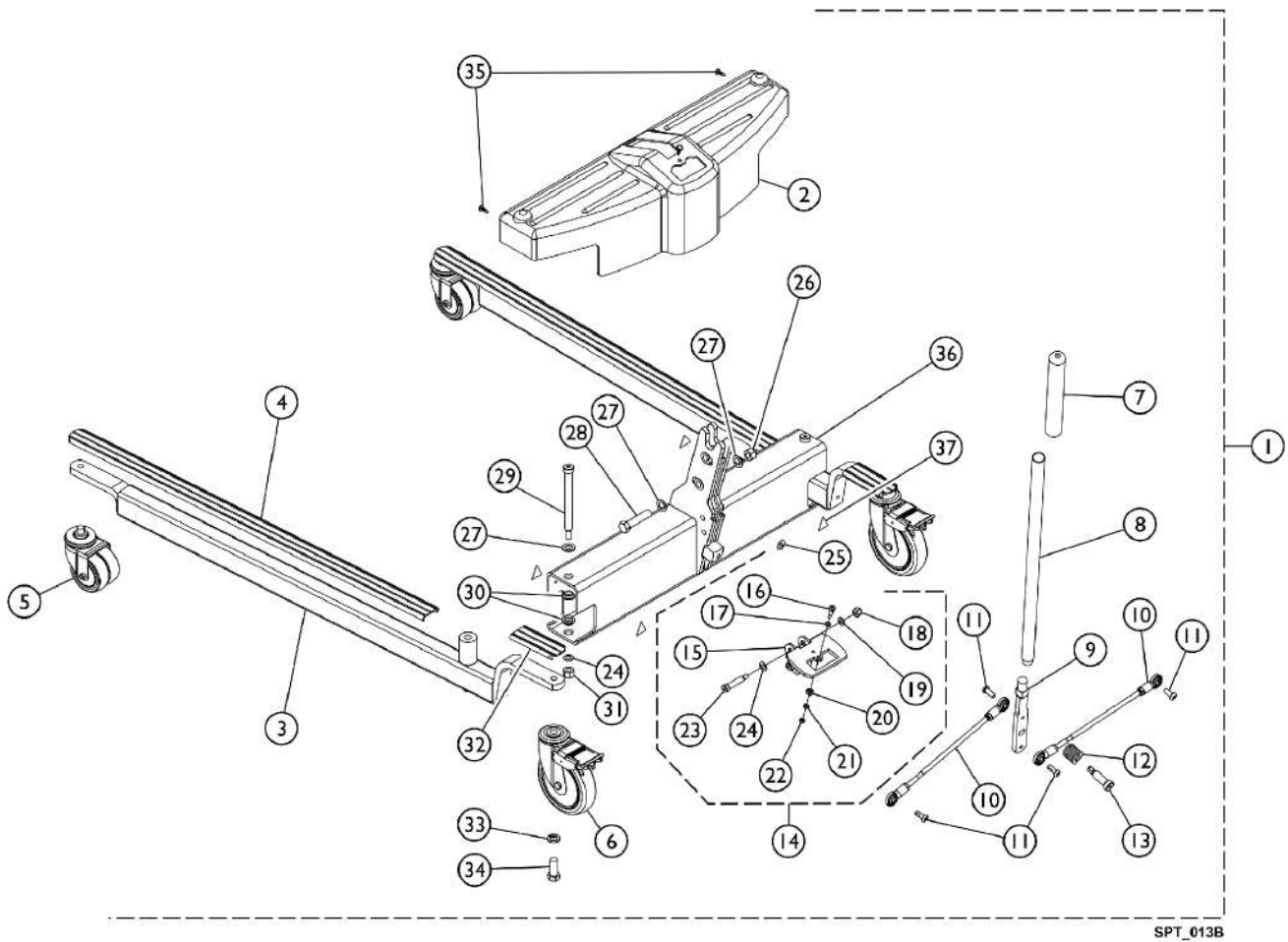
Model - RPS350-1

NOTE: A - Not Shown. On 3/19/2010, the pull pin was replaced with a pull grip that is not serviceable.
B - As of 3/19/2010, the pull pin changed to a pull grip.
C - This item is for all Lifts manufactured before 7/1/2010. Please check Lift serial numbers before ordering.
D - This is an accessory only and is not sent out with new units. Used for additional leg support.
E - Power Cord not included with Charger.
F - Includes items 20,24,25,29

Base Assembly (After 7/1/10)

Model RPL/ RPA 450-1, RHL/ RHA 450-1

NOTE: After 7/1/10, when using Item 36 (1132033) to replace the previous Cross Support (1078300), Items 14 (1169830) and Item 9 (1156176) should be ordered also.



Base Assembly (After 7/1/10)

Model RPL/ RPA 450-1, RHL/ RHA 450-1

NOTE: After 7/1/10, when using Item 36 (1132033) to replace the previous Cross Support (1078300), Items 14 (1169830) and Item 9 (1156176) should be ordered also.

Item Number	Note	Part Number	Description	Quantity Per	
				Package	Assembly
1	A	1079810	Kit, Base - Low, Adjustable	1	1
1	A	1079811-NLA	NLA - Kit, Base - Standard, Adjustable	1	1
2		1156185	Shroud	1	1
3		1095672	Leg, Adjustable, Low Base, Grey	1	2
	B,F	1095674	Kit, Legs Adjustable, Low Base, Pair with Covers	1	1
			Leg, Adjustable, Low Base, Grey	1	2
			Cover, Front Leg (Long)	1	2
			Cover, Rear Leg (Short) - Low Base/ Standard Base	1	2
4	M	1070114	Cover, Front Leg (Long)	1	2
5	E,I	1123560	Caster, Swivel Dual (3")	1	2
5	H	1070957-NLA	NLA - Caster, Swivel, Front - Adjustable Base (5")	1	2
5	C,G	1123545	Caster Assembly, Swivel (5")	1	2
		1110422	Kit, Caster Assembly, Swivel (5") (Pair)	1	1
			Caster Assembly, Swivel (5")	2	1
6	D	1123539	Caster Assembly, Swivel w/ Brake (5")	1	2
	F,L	1110421	Kit, Caster Assembly, Swivel w/ Brake (5") (Pair)	1	1
			Caster Assembly, Swivel w/ Brake (5")	1	2
			Bushing (15/32 x 1-1/16 x 9/32")	1	2
			Instruction Sheet	1	1
7		1032246	Grip, Cane	1	1
8		1078287	Handle, Grey	1	1
9	K	1156176	Handle, Mounting	1	1
10		1065152	Tie Rod Assembly	1	2
11		1155720	Screw, Socket, Button Head w/ Patch (5/16-18 x 13/16")	1	4
12		1064122	Spring, Compression (1 x 1-1/16 x 1/8")	1	1
13		1029134	Screw, Shoulder Hex Socket Head w/ Patch (1/2" x 1-1/4", 3/8-16)	1	1
14	J,K	1169830	Kit, Index Plate w/ Hardware	1	1
15			Bracket, Index Plate	1	1
16			Screw, Shoulder Hex Socket Head (3/8 x 1-1/2", 5/16-18)	1	2
17			Screw, Shoulder, Hex Socket (1/4 x 1/2", 10-32)	1	1
18			Washer, Flat (1/4 x 3/8 x 1/16)	1	1
19			Washer, Flat (5/16 x 5/8 x 1/16")	1	2
20			Locknut (5/16-18)	1	2
21			Roller, Index Plate	1	1
22			Washer, Flat (7/32 x 13/32 x 1/16)	1	1
23			Locknut (#10-32)	1	1
24			Washer, Flat (3/8 x 11/16 x 1/16")	1	2
24		1065214	Washer, Flat (3/8 x 11/16 x 1/16")	1	2

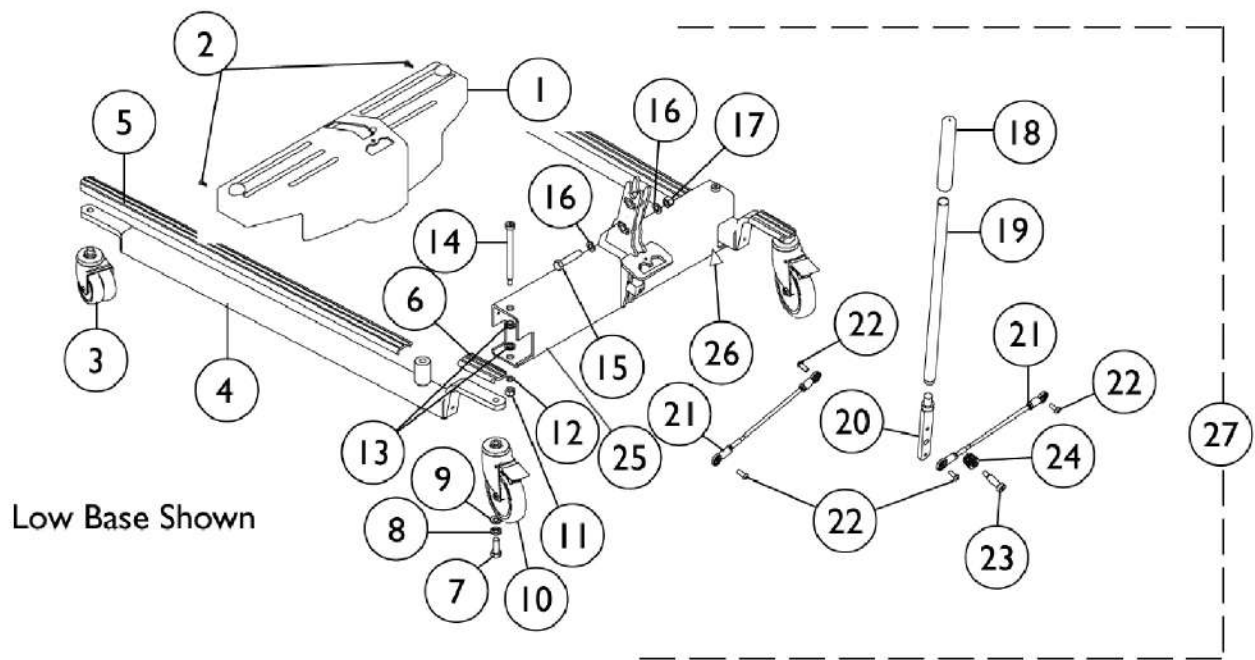
Base Assembly (After 7/1/10) Model RPL/ RPA 450-1, RHL/ RHA 450-1

NOTE: After 7/1/10, when using Item 36 (1132033) to replace the previous Cross Support (1078300), Items 14 (1169830) and Item 9 (1156176) should be ordered also.

Item Number	Note	Part Number	Description	Quantity Per	
				Package	Assembly
25		1079113	Label, Year of Manufacture	1	1
26		1078981	Locknut (1/2-13)	1	1
27		1026174	Washer (1/2 x 7/8 x 3/64")	1	4
28		1078979	Screw, Hex Head (1/2-13 x 2-1/4")	1	1
29		1062424	Screw, Shoulder Hex Socket Head (1/2" x 5", 3/8-16)	1	2
30		1062419	Bushing, Flanged	1	4
31		1065216	Locknut (3/8-16)	1	2
32	N	1079137	Cover, Rear Leg (Short) - Low Base/ Standard Base	1	2
33		1014371	Lockwasher (1/2")	1	2
34		1073884	Screw, Hex Head (1/2-13 x 1-1/4")	1	2
35		1023632	Clip, Shroud	1	2
36	K	1132033	Cross Support	1	1
37		1079112	Label, Attention	1	4

NOTE: A - Includes items 2 thru 37, Shippers Carton and Owner's Manual.
 B - Includes Adjustable Leg, Front and Rear Leg Covers. As of 11/09/21 part #1095674 is no longer used for RPL450-1 model.
 C - Also available as a pair, see 1110422.
 D - Also available as a pair, see 1110421.
 E - Caster stem is threaded, no additional hardware is necessary.
 F - Not shown in illustration.
 G - 5" Wheels used on RHA/RPA lifts only.
 H - No longer available, see 1123545 to order replacement.
 I - 3" Wheels used on RHL/RPL lifts only.
 J - Includes items 15-24.
 K - After 7/1/10, when using Item 36 (1132033) to replace the previous Cross Support (1078300), Items 14 (1169830) and Item 9 (1156176) should be ordered also.
 L - Bushings added 7/30/12 and used for 9805/9805P Lifts only to provide clearance for the caster to rotate freely.
 M - As of 11/09/21 item 4 part #1070114 Long Leg Cover was replaced w/ item 32 part #1079137 Short Leg Cover on RPL 450-1 model.
 N - As of 11/09/21 item 32 is assembled to both Front and Rear of RPL 450-1 model.

Base Assembly - RPL/ RPA 450-1 and RHL/ RHA 450-1 (Before 7/2/10)



Base Assembly - RPL/ RPA 450-1 and RHL/ RHA 450-1 (Before 7/2/10)

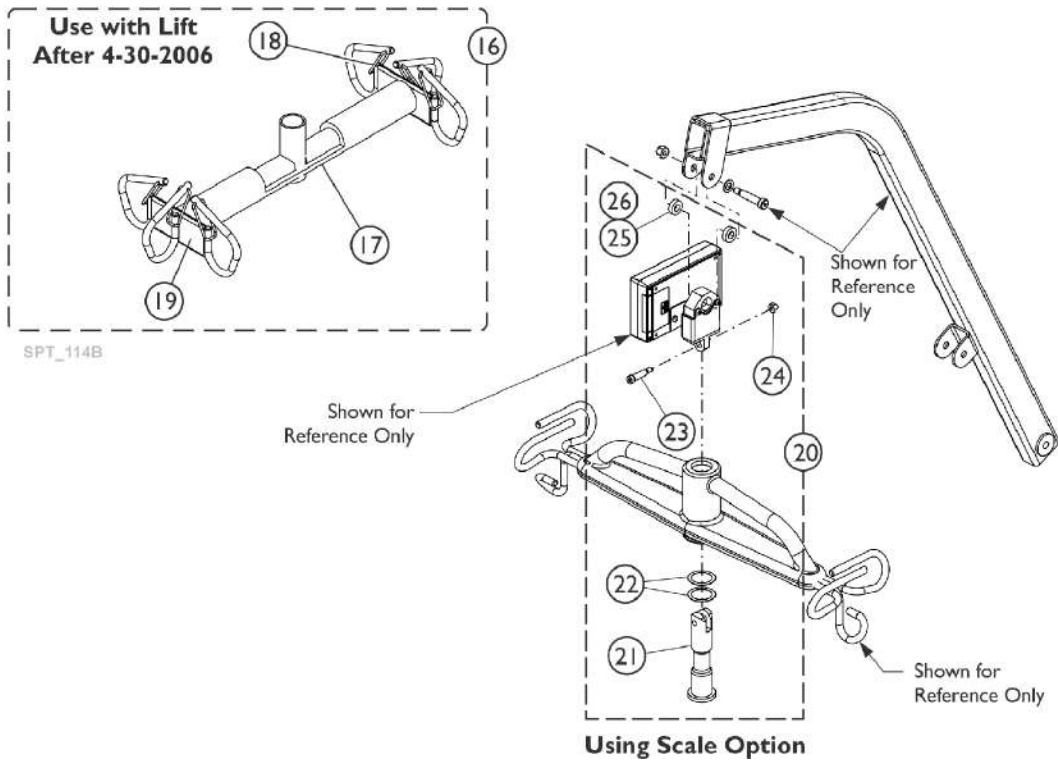
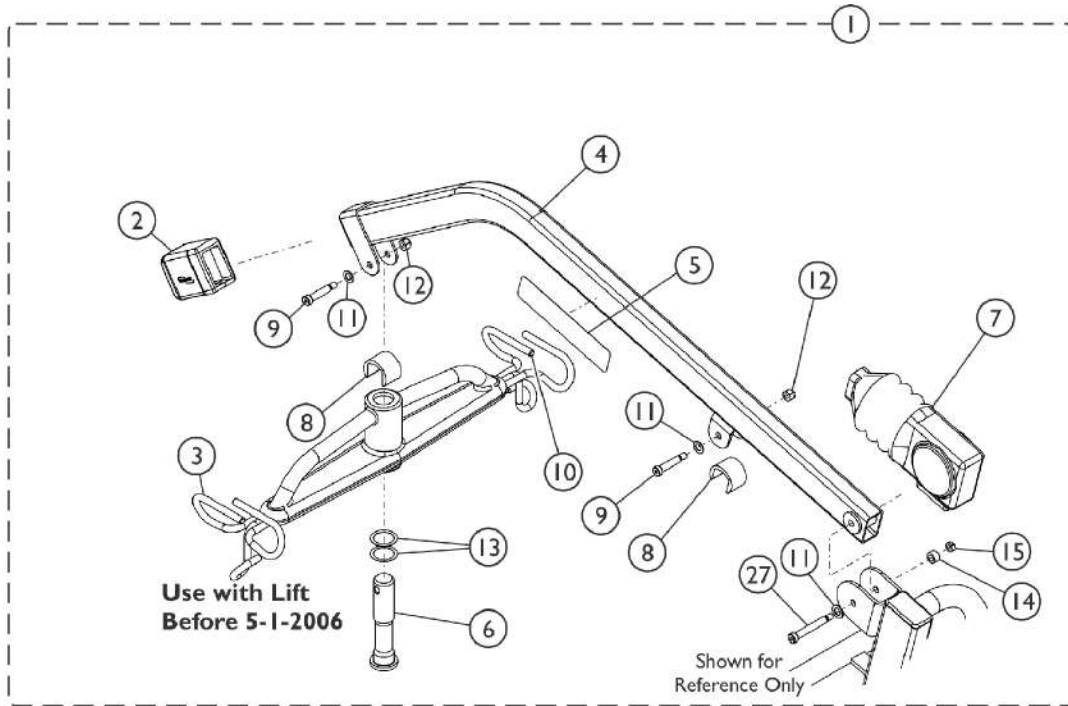
Item Number	Note	Part Number	Description	Quantity Per	
				Package	Assembly
1	M	1078290-NLA	NLA - Shroud	1	1
1		1156185	Shroud	1	1
2		1023632	Clip, Shroud	1	3
3	I	1123560	Caster, Swivel Dual (3")	1	2
3	G	1070957-NLA	NLA - Caster, Swivel, Front - Adjustable Base (5")	1	2
3		1123545	Caster Assembly, Swivel (5")	1	2
	H	1110422	Kit, Caster Assembly, Swivel (5") (Pair)	1	1
3			Caster Assembly, Swivel (5")	2	1
4	B	1078309-NLA	NLA - Leg, Adjustable, Low Base, Grey	1	2
4	L	1095672	Leg, Adjustable, Low Base, Grey	1	2
5		1070114	Cover, Front Leg (Long)	1	2
	A,C,H	1095674	Kit, Legs Adjustable, Low Base, Pair with Covers	1	1
4			Leg, Adjustable, Low Base, Grey	1	2
5			Cover, Front Leg (Long)	1	2
6			Cover, Rear Leg (Short) - Low Base/ Standard Base	1	2
6	D	1073195-NLA	NLA - Cover, Rear Leg - Standard Base	1	2
6	E	1079137	Cover, Rear Leg (Short) - Low Base/ Standard Base	1	2
7		1073884	Screw, Hex Head (1/2-13 x 1-1/4")	1	2
8		1014371	Lockwasher (1/2")	1	2
9		1073885-NLA	NLA - Washer (1/2 x 15/16 x 1/8")	1	2
10		1123539	Caster Assembly, Swivel w/ Brake (5")	1	2
	H,N	1110421	Kit, Caster Assembly, Swivel w/ Brake (5") (Pair)	1	1
			Caster Assembly, Swivel w/ Brake (5")	1	2
			Bushing (15/32 x 1-1/16 x 9/32")	1	2
			Instruction Sheet	1	1
11		1065216	Locknut (3/8-16)	1	2
12		1065214	Washer, Flat (3/8 x 11/16 x 1/16")	1	2
13		1062419	Bushing, Flanged	1	4
14		1062424	Screw, Shoulder Hex Socket Head (1/2" x 5", 3/8-16)	1	2
15		1078979	Screw, Hex Head (1/2-13 x 2-1/4")	1	1
16		1026174	Washer (1/2 x 7/8 x 3/64")	1	1
17		1078981	Locknut (1/2-13)	1	1
18		1032246	Grip, Cane	1	1
19		1078287	Handle, Grey	1	1
20		1078289-NLA	NLA - Handle, Mount	1	1
21		1065152	Tie Rod Assembly	1	2
22		1065215	Screw, Socket Button Head w/ Patch (5/16-18 x 3/4")	1	4
23		1029134	Screw, Shoulder Hex Socket Head w/ Patch (1/2" x 1-1/4", 3/8-16)	1	1
24		1064122	Spring, Compression (1 x 1-1/16 x 1/8")	1	1
25	K	1078300	Cross Support	1	1

Base Assembly - RPL/ RPA 450-1 and RHL/ RHA 450-1 (Before 7/2/10)

Item Number	Note	Part Number	Description	Quantity Per	
				Package	Assembly
26		1079112	Label, Attention	1	1
27		1079810	Kit, Base - Low, Adjustable	1	1
27	J	1079811-NLA	NLA - Kit, Base - Standard, Adjustable	1	1
<p>NOTE: A - After 4/13/00, Base Legs were lowered for improved clearance. B - Before 4/14/00. C - Kit includes Adjustable Leg, Front Leg Cover and Rear Leg Cover. D - Before 6/5/00. E - After 6/4/00. G - Item no longer available, refer to part number 1123545. H - Not shown. I - Caster stem is threaded. Additional hardware is not necessary. J - No longer available. Use 1079810 when replacing parts. K - Part is no longer replaceable in the field as of 7/1/10, use 1132033 as the replacement. When ordering 1132033, you should also order 1169830 and 1156176. L - Both Legs must be replaced on Units built before 7/2/10. Order 1095674 as the replacement. M - Part is no longer available. Order 1156185 as a replacement. N - Bushings added 7/30/12 and used for 9805/9805P Lifts only to provide clearance for the caster to rotate freely.</p>					

Boom Assembly

Model - RPL/ RPA 450-1 and RHL/ RHA 450-1



Boom Assembly

Model - RPL/ RPA 450-1 and RHL/ RHA 450-1

Item Number	Note	Part Number	Description	Quantity Per	
				Package	Assembly
1		1082594	Kit, Mast & Boom - Electric	1	1
1		1082595-NLA	NLA - Kit, Mast & Boom - Hydraulic	1	1
2	N	1078983-NLA	NLA - Tube Cover with Internal End Cap Assembly	1	1
2		1152114	Tube Cover with Internal End Cap Assembly	1	1
3	G	1064518-NLA	NLA - Bracket, Hanger - Urethane Padded	1	1
3		1075644-NLA	NLA - Bracket, Hanger - Extra Wide Swivel Bar Only	1	1
	A,B,C	1065360	Cap, End, Black (1-1/4 x 2")	1	1
4	M	1078297	Boom, RPL/ RPA, Electric	1	1
4	N	1079822	Boom, RHL/ RHA, Hydraulic	1	1
5		1068065	Decal - Reliant 450 Lift	1	1
6	J	1064339	Pin, Hanger	1	1
7		1063234	Boot	1	1
8		1064269	Guard, Finger	1	2
9		1031665	Screw, Shoulder Hex Socket Head (3/8 x 1-1/2", 5/16-18)	1	2
10	C,D,E	1137247-NLA	NLA - Package, Rubber Tip, Beige	6	1
11		1065214	Washer, Flat (3/8 x 11/16 x 1/16")	1	3
12		1064267	Locknut (5/16-18)	1	2
13		1064338	Washer, Nylon (1-9/64 x 1-1/2 x 1/64")	1	2
14		1129466	Spacer (3/8 x 5/8 x 11/32")	1	1
15		1028769	Locknut (5/16-18)	1	1
16	F	1143629	Kit, Hanger Bar w/ Latches - Retrofit	1	1
			Bar, Hanger	1	1
			Bar, Pad	1	1
17	F	1070969	Bar, Pad	1	1
18		1147501	Kit, Latch - Hanger Bar	1	1
			Package, Latch	6	1
19	F	1132035	Bar, Hanger	1	1
20	H	1147502	Kit, Scale Hardware	1	1
21			Pin, Hanger	1	1
22			Washer, Nylon (1-9/64 x 1-1/2 x 1/64")	1	2
23			Screw, Shoulder, Socket (5/16 x 1, 1/4-20 Thread)	1	1
24			Locknut (1/4-20)	1	2
25			Washer, Flat (3/8 x 11/16 x 1/16")	1	2
26			Spacer (3/8 x 5/8 x 11/32")	1	2
27		1129465	Screw, Shoulder Hex Socket Head (3/8 x 2-1/4", 5/16-18)	1	1

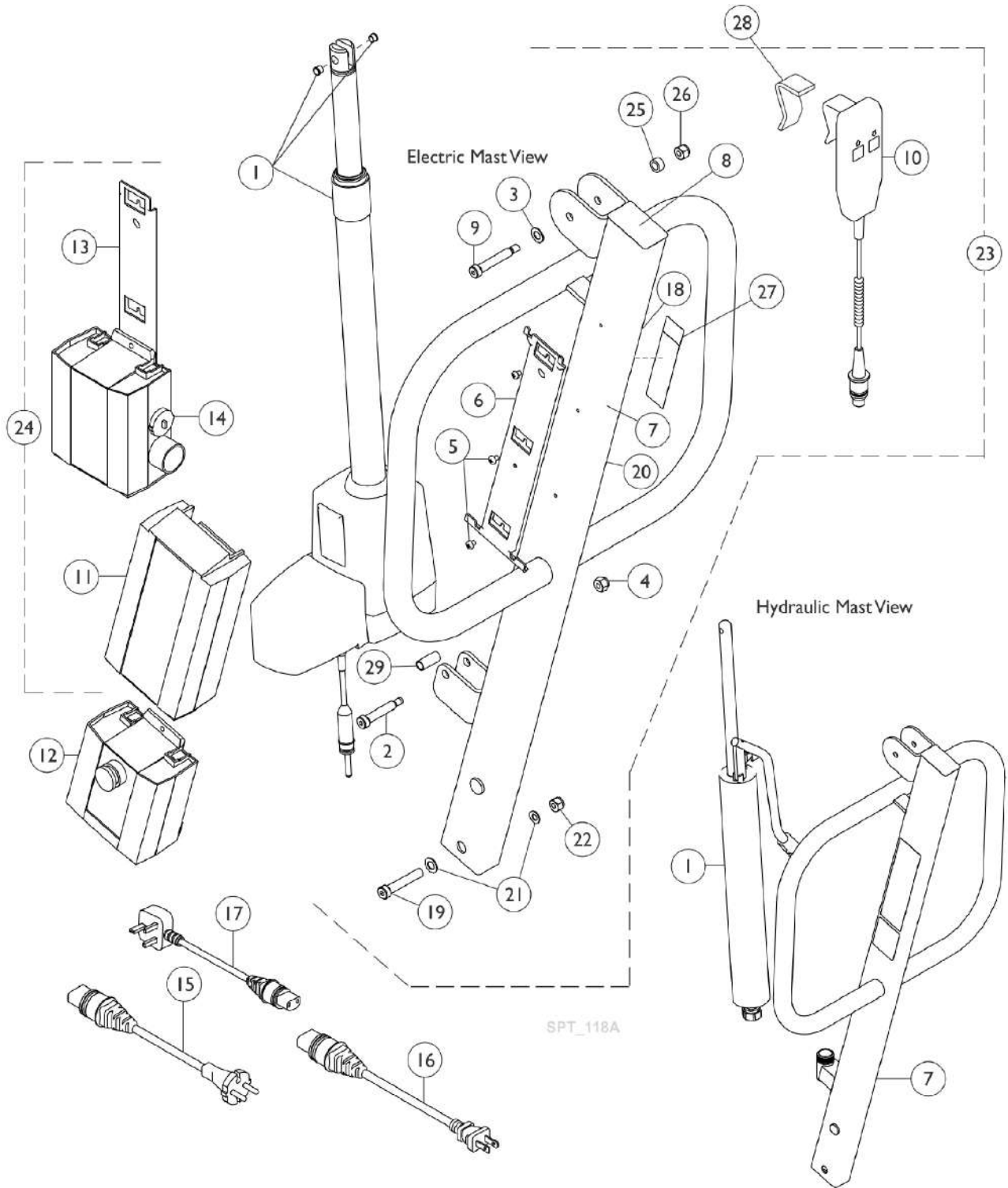
Boom Assembly

Model - RPL/ RPA 450-1 and RHL/ RHA 450-1

NOTE: A - Used on equipment built after 5-13-1999, End Cap is Incorporated into (item 2) Tube Cover with Internal End Cap Assembly.
B - Used on equipment built before 5-14-1999.
C - Not shown on illustration.
D - Includes (6) Rubber Tips and Instruction Sheet.
E - Used on Spreader Bar Hooks.
F - Use on Boom Assembly "After 4-30-2006."
G - Use on Boom Assembly "Before 5-1-2006." NLA, use part number 1143629 as a replacement.
H - Used to mount Hanger Bar to Boom when using a Reliant Scale option. Use Hanger Pin included in this kit to mount Scale and Hanger Bar to Boom.
J - Hanger Pin is used only to attach the hanger bar to the boom. The Hanger Pin to mount the Bar and Scale to the Boom is included in Kit 1147502.
M - Used on equipment built before 11-17-2008.
N - Used on equipment built after 11-16-2008.

Mast Assembly

Model - RPL/ RPA 450-1 and RHL/ RHA 450-1



Mast Assembly

Model - RPL/ RPA 450-1 and RHL/ RHA 450-1

Item Number	Note	Part Number	Description	Quantity Per	
				Package	Assembly
1	K	60126449	Actuator Motor w/ Bushings	1	1
1		9099-NLA	NLA - Pump	1	1
1		9099R-NLA	NLA - Pump, Hydraulic	1	1
1		9099P	Pump, Hydraulic	1	1
2	A	1031665	Screw, Shoulder Hex Socket Head (3/8 x 1-1/2", 5/16-18)	1	3
3	A	1065214	Washer, Flat (3/8 x 11/16 x 1/16")	1	1
4	G	1064267	Locknut (5/16-18)	1	1
5		1078980	Screw, Phillips Pan Head (#10-24 x 1/4")	1	3
6	D	1078284	Bracket, Battery - Electric Only	1	1
7		1078292	Mast, Electric	1	1
7		1078310	Mast, Hydraulic	1	1
8		1065361	Cap, End, Black (1-1/2 x 2-1/2")	1	1
9		1129465	Screw, Shoulder Hex Socket Head (3/8 x 2-1/4", 5/16-18)	1	1
10	H	1177604	Pendant, Two Channel w/ Hook	1	1
11	D	1078276	Battery Pack, Linak	1	1
12	D	1078275	Controller - Electric Only	1	1
13	D	1078306	Bracket, Wall Mount Charger	1	1
14	D,L	1078274	Charger, Electric Only w/o Power Cord	1	1
15	D	1079135-NLA	NLA - Cord, European - Electric Only	1	1
16	D	1079133	Cord, Power, USA	1	1
17	D	1079134-NLA	NLA - Cord, UK - Electric Only	1	1
18		1073698-NLA	Label, Warning, Lift, 450 Pound Capacity	1	1
18		1073703-NLA	NLA - Label, Warning, Reliant 450 Lift - Hydraulic Only	1	1
19		1078979	Screw, Hex Head (1/2-13 x 2-1/4")	1	1
20		1075653	Label, CE Marking	1	1
21		1026174	Washer (1/2 x 7/8 x 3/64")	1	2
22		1078981	Locknut (1/2-13)	1	1
23	B	1082594	Kit, Mast & Boom - Electric	1	1
23	F	1082595-NLA	NLA - Kit, Mast & Boom - Hydraulic	1	1
24	E	1079815	Kit, Charger - USA Only	1	1
11			Battery Pack, Linak	1	1
13			Bracket, Wall Mount Charger	1	1
14			Charger, Electric Only w/o Power Cord	1	1
16			Cord, Power, USA	1	1
25		1129466	Spacer (3/8 x 5/8 x 11/32")	1	1
26	G	1028769	Locknut (5/16-18)	1	1
27	C	1130234-NLA	NLA - Kit, Label Warning - Bolt Mast w/Instruction - 450 Lift (Spanish)	1	1
			Sheet, Label 450 Lift (Spanish)	1	1
			Instruction Sheet, Label Kit (Spanish)	1	1

Mast Assembly

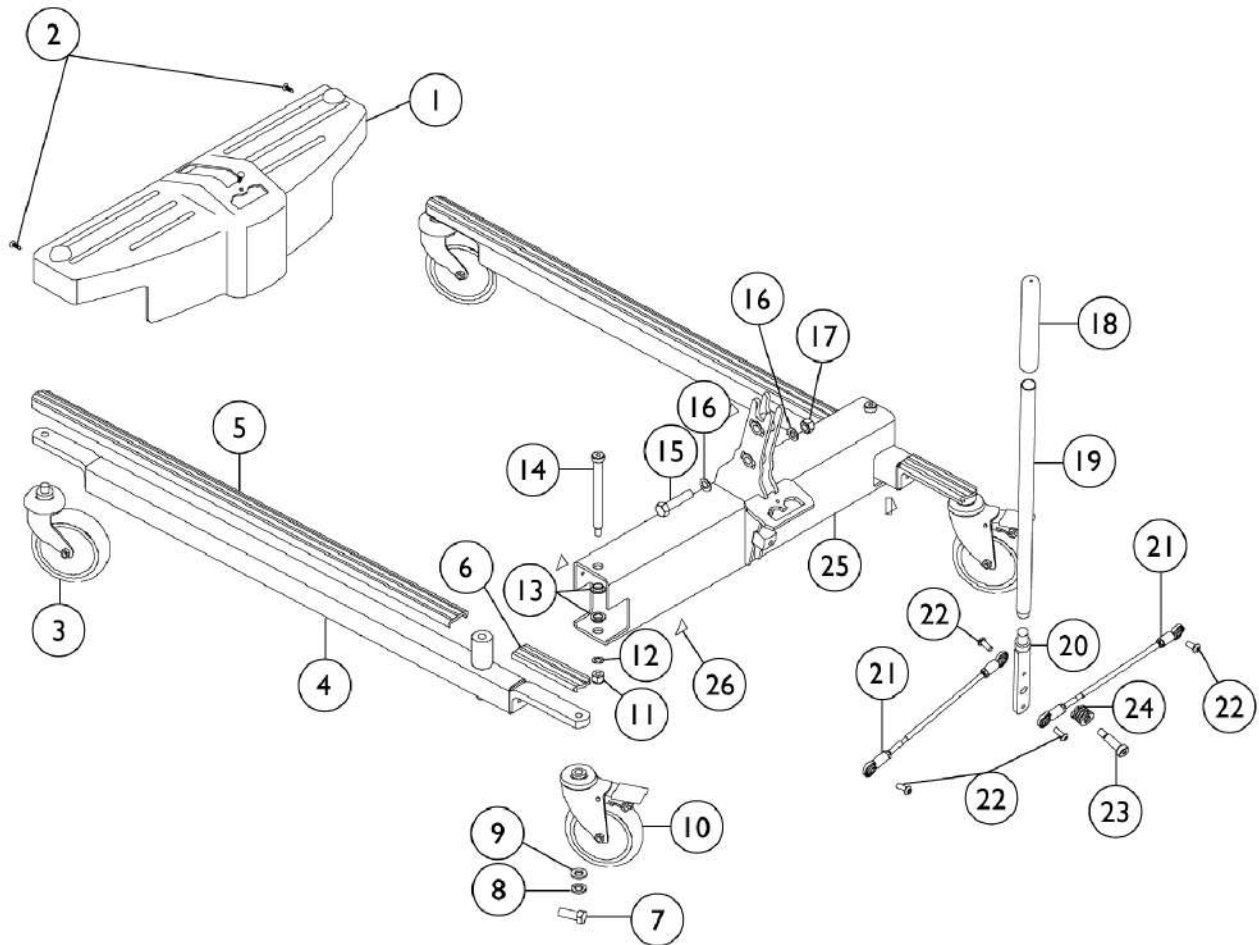
Model - RPL/ RPA 450-1 and RHL/ RHA 450-1

Item Number	Note	Part Number	Description	Quantity Per	
				Package	Assembly
27	C	1130233	NLA - Kit, Label Warning - Bolt Mast w/Instruction - 450 Lift (French/Canadian)	1	1
			Sheet, Label 450 Lift (French-Canadian)	1	1
			Instruction Sheet, Label Kit (French/Canadian)	1	1
28	H	1161593	Package, Rubber Clip	10	1
	C,D,I	1165876	Mast Assembly w/ Attaching Hardware	1	1
2			Screw, Shoulder Hex Socket Head (3/8 x 1-1/2", 5/16-18)	1	1
3			Washer, Flat (3/8 x 11/16 x 1/16")	1	1
4			Locknut (5/16-18)	1	1
5			Screw, Phillips Pan Head (#10-24 x 1/4")	1	3
6			Bracket, Battery - Electric Only	1	1
7			Mast, Electric	1	1
8			Cap, End, Black (1-1/2 x 2-1/2")	1	1
9			Screw, Shoulder Hex Socket Head (3/8 x 2-1/4", 5/16-18)	1	1
18			Label, Warning, Lift, 450 Pound Capacity	1	1
19			Screw, Hex Head (1/2-13 x 2-1/4")	1	1
20			Label, CE Marking	1	1
21			Washer (1/2 x 7/8 x 3/64")	1	2
22			Locknut (1/2-13)	1	1
25			Spacer (3/8 x 5/8 x 11/32")	1	1
26			Locknut (5/16-18)	1	1
29			Bushing (3/8 x 15/32 x 1-3/32")	1	1
			Label, Year of Manufacture	1	1
			Label, Warning Bolt Mast	1	1
			Insert, Carton	1	5
			Insert, Carton	1	1
			Carton	1	1
	C	1133691	Package, Emergency Pull Pin	10	1
	C	10369X000-NLA	NLA - Wrench, Allen (3/16")	1	1
	C,D	1083039-NLA	NLA - Cover, Actuator, Padded with Instructions (Electric Lifts Only)	1	1
	C,D	1079656-NLA	NLA - Label, Warning - EUR	1	1

NOTE: A - After 3/99 it has been determined part number 1025704 is no longer required in the Mast to Actuator Assembly.
 B - This item does not include items 16 & 18; these items are not needed in the U.S.
 C - Not Shown. On 3/19/2010, the pull pin was replaced with a pull grip that is not serviceable.
 D - Electric Only.
 E - Includes items 11, 13, 14, and 16.
 F - Excludes item 7 (Electric Mast) and 11 - 18.
 G - After 8/21/06 the quantity for Locknut 1064267 item 4 changed to Qty 1 for the Mast Assembly. Locknut 1028769 Item 28 was added to the Mast Assembly.
 H - Slip over Clip on Handset to provide stable positioning for Handset.
 I - Includes items 2, 3-9, 18, 19, 20, 21, 22, 25, 26, 29, Labels, and Cartons.
 K - Part #1078273 Actuator Motor is No Longer Available and replaced with part #60126449 Actuator Motor that now includes press-fitted Bushings.
 L - Power Cord not included with Charger.

Base Assembly

Model - RPA600-1



Base Assembly

Model - RPA600-1

Item Number	Note	Part Number	Description	Quantity Per	
				Package	Assembly
1	E	1078290-NLA	NLA - Shroud	1	1
1		1156185	Shroud	1	1
2		1023632	Clip, Shroud	1	3
3	A	1070957-NLA	NLA - Caster, Swivel, Front - Adjustable Base (5")	1	2
3		1123545	Caster Assembly, Swivel (5")	1	2
	B	1110422	Kit, Caster Assembly, Swivel (5") (Pair)	1	1
3			Caster Assembly, Swivel (5")	2	1
4	D	1095672	Leg, Adjustable, Low Base, Grey	1	2
	B	1095674	Kit, Legs Adjustable, Low Base, Pair with Covers	1	1
4			Leg, Adjustable, Low Base, Grey	1	2
5			Cover, Front Leg (Long)	1	2
6			Cover, Rear Leg (Short) - Low Base/ Standard Base	1	2
5		1070114	Cover, Front Leg (Long)	1	2
6		1073195-NLA	NLA - Cover, Rear Leg - Standard Base	1	2
6		1079137	Cover, Rear Leg (Short) - Low Base/ Standard Base	1	2
7		1073884	Screw, Hex Head (1/2-13 x 1-1/4")	1	2
8		1014371	Lockwasher (1/2")	1	2
9		1073885-NLA	NLA - Washer (1/2 x 15/16 x 1/8")	1	2
10		1123539	Caster Assembly, Swivel w/ Brake (5")	1	2
	B,F	1110421	Kit, Caster Assembly, Swivel w/ Brake (5") (Pair)	1	1
			Caster Assembly, Swivel w/ Brake (5")	1	2
			Bushing (15/32 x 1-1/16 x 9/32")	1	2
			Instruction Sheet	1	1
11		1065216	Locknut (3/8-16)	1	2
12		1065214	Washer, Flat (3/8 x 11/16 x 1/16")	1	2
13		1062419	Bushing, Flanged	1	4
14		1062424	Screw, Shoulder Hex Socket Head (1/2" x 5", 3/8-16)	1	2
15		1078979	Screw, Hex Head (1/2-13 x 2-1/4")	1	1
16		1026174	Washer (1/2 x 7/8 x 3/64")	1	2
17		1078981	Locknut (1/2-13)	1	1
18		1032246	Grip, Cane	1	1
19		1078287	Handle, Grey	1	1
20		1156176	Handle, Mounting	1	1
21		1065152	Tie Rod Assembly	1	2
22		1155720	Screw, Socket, Button Head w/ Patch (5/16-18 x 13/16")	1	4
23		1029134	Screw, Shoulder Hex Socket Head w/ Patch (1/2" x 1-1/4", 3/8-16)	1	1
24		1064122	Spring, Compression (1 x 1-1/16 x 1/8")	1	1
25	C	1078300	Cross Support	1	1
26		1079112	Label, Attention	1	4

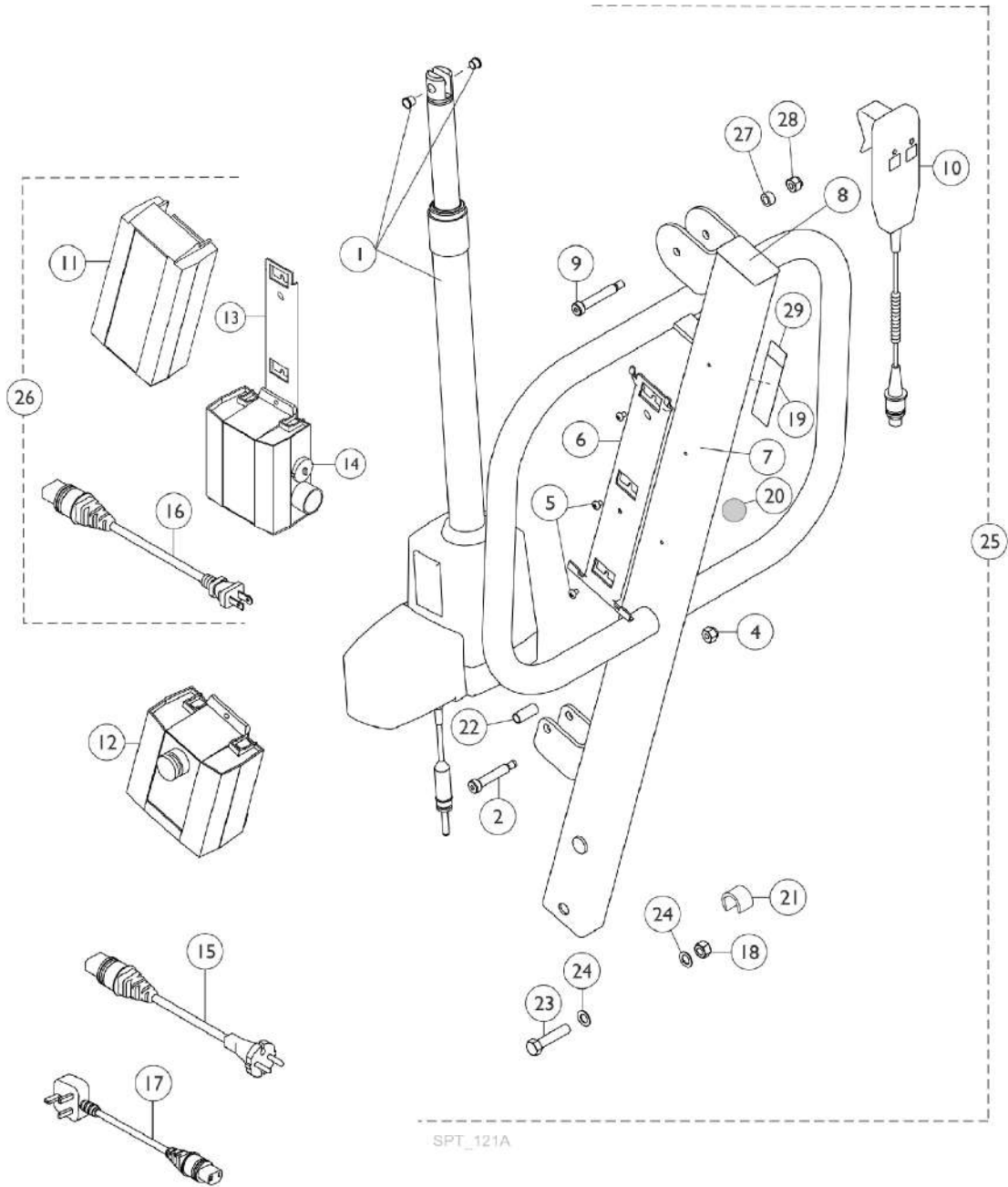
Base Assembly

Model - RPA600-1

NOTE: A - Item no longer available, refer to part #1123545.
B - Not shown.
C - Part is no longer offered as a service part as of 7/1/10, use 1132033 as the replacement. When ordering 1132033, you should also order 1169830 and 1156176.
D - Both Legs must be replaced on Units built before 7/2/10. Order 1095674 as the replacement.
E - Part is no longer available. Order 1156185 as a replacement.
F - Bushings added 7/30/12 and used for 9805/9805P Lifts only to provide clearance for the caster to rotate freely.

Mast Assembly

Model - RPA600-1



Mast Assembly

Model - RPA600-1

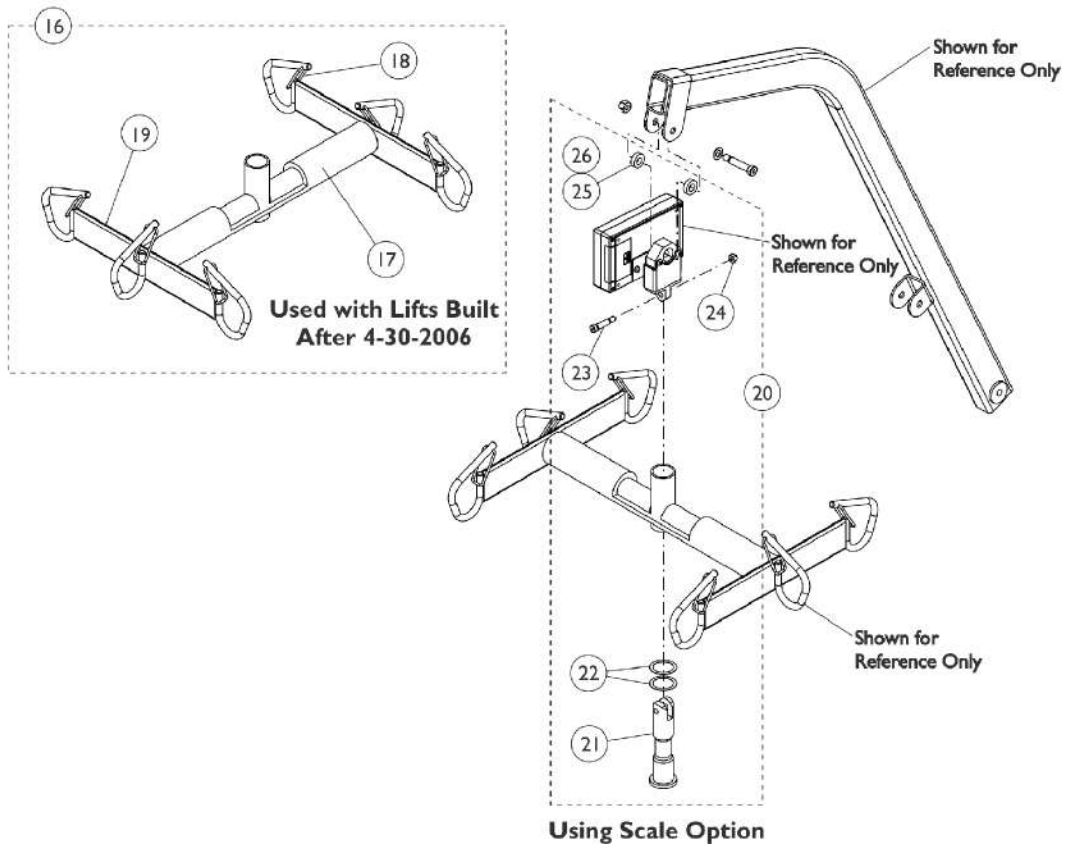
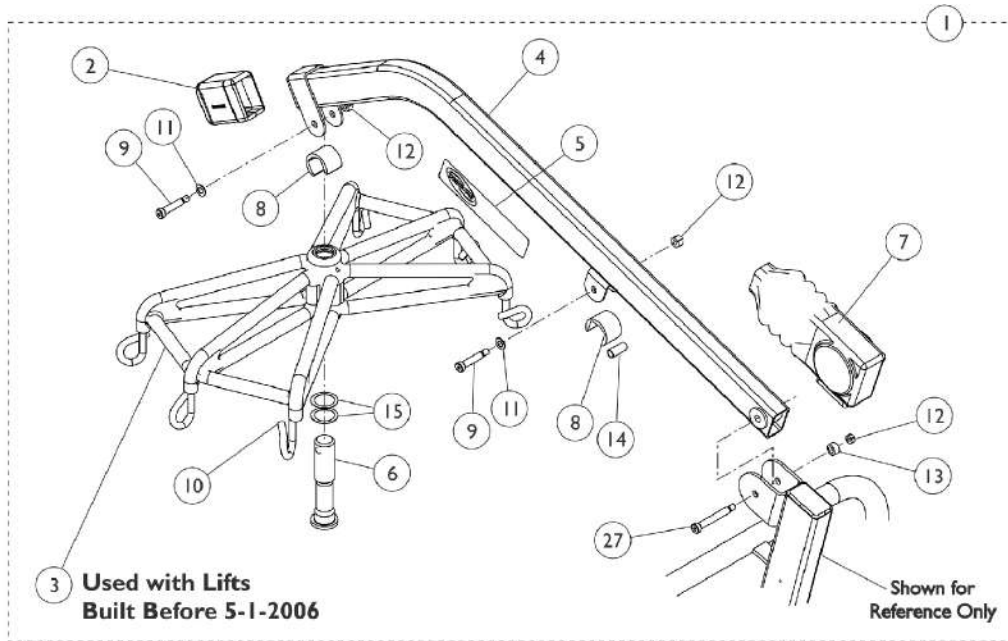
Item Number	Note	Part Number	Description	Quantity Per	
				Package	Assembly
1	G,H	60126449	Actuator Motor w/ Bushings	1	1
	B	1133691	Package, Emergency Pull Pin	10	1
2	A	1031665	Screw, Shoulder Hex Socket Head (3/8 x 1-1/2", 5/16-18)	1	1
3	A	1065214	Washer, Flat (3/8 x 11/16 x 1/16")	1	1
4	E	1064267	Locknut (5/16-18)	1	1
5		1078980	Screw, Phillips Pan Head (#10-24 x 1/4")	1	3
6		1078284	Bracket, Battery - Electric Only	1	1
7		1079045	Mast	1	1
8		1065361	Cap, End, Black (1-1/2 x 2-1/2")	1	1
9		1129465	Screw, Shoulder Hex Socket Head (3/8 x 2-1/4", 5/16-18)	1	1
10	F	1177604	Pendant, Two Channel w/ Hook	1	1
11		1078276	Battery Pack, Linak	1	1
12		1078275	Controller - Electric Only	1	1
13		1078306	Bracket, Wall Mount Charger	1	1
14	J	1078274	Charger, Electric Only w/o Power Cord	1	1
15		1079135-NLA	NLA - Cord, European - Electric Only	1	1
16		1079133	Cord, Power, USA	1	1
17		1079134-NLA	NLA - Cord, UK - Electric Only	1	1
18		1078981	Locknut (1/2-13)	1	1
19		1070965-NLA	NLA - Label, Lift Warning/Operation - USA	1	1
19		1079657-NLA	NLA - Label, Lift Warning/Operation - EUR	1	1
20		1075653	Label, CE Marking	1	1
21		1064269	Guard, Finger	1	1
22		1064443	Bushing (3/8 x 15/32 x 1-3/32")	1	2
23		1078979	Screw, Hex Head (1/2-13 x 2-1/4")	1	1
24		1026174	Washer (1/2 x 7/8 x 3/64")	1	2
25	D	1082596-NLA	NLA - Kit, Mast & Boom	1	1
26	C	1079815	Kit, Charger - USA Only	1	1
11			Battery Pack, Linak	1	1
13			Bracket, Wall Mount Charger	1	1
14			Charger, Electric Only w/o Power Cord	1	1
16			Cord, Power, USA	1	1
27		1129466	Spacer (3/8 x 5/8 x 11/32")	1	1
	B	10369X000-NLA	NLA - Wrench, Allen (3/16")	1	1
	B	1083039-NLA	NLA - Cover, Actuator, Padded with Instructions (Electric Lifts Only)	1	1
28	E	1028769	Locknut (5/16-18)	1	1
29		1130236-NLA	NLA - Kit, Label Warning - Bolt Mast w/Instruction - 600 Lift (Spanish)	1	1
			Sheet, Label 600 Lift (Spanish)	1	1
			Instruction Sheet, Label Kit (Spanish)	1	1

Mast Assembly Model - RPA600-1

Item Number	Note	Part Number	Description	Quantity Per	
				Package	Assembly
29		1130235-NLA	NLA - Kit, Label Warning - Bolt Mast w/Instruction - 600 Lift (French/Canadian)	1	1
			Sheet, Label 600 Lift (French/Canadian)	1	1
			Instruction Sheet, Label Kit (French/Canadian)	1	1
30	F	1161593	Package, Rubber Clip	10	1
	I	1079815	Kit, Charger - USA Only	1	1
11			Battery Pack, Linak	1	1
13			Bracket, Wall Mount Charger	1	1
14			Charger, Electric Only w/o Power Cord	1	1
16			Cord, Power, USA	1	1
<p>NOTE: A - After 3/99 it has been determined that #1065214 is no longer required in order to attach the Mast to Actuator assemblies. B - Not Shown. On 3/19/2010, the pull pin was replaced with a pull grip that is not serviceable. C - Includes items 11, 13, 14 and 16. D - For Boom Assembly see section titled, "Boom Assembly RPA600-1." E - After 8/21/06 the quantity for Locknut 1064267 item 4 changed to Qty 1 for the Mast Assembly. Locknut 1028769 Item 28 was added to the Mast Assembly. F - 1161593 should slip over Clip on Handset to provide stable positioning for Handset. G - As of 3/19/2010, the pull pin changed to a pull grip. H - Part #1078273 Actuator Motor is No Longer Available and replaced with part #60126449 Actuator Motor that now includes press-fitted Bushings. I - Includes items 11,13,14,16 J - Power Cord not included with Charger.</p>					

Boom Assembly

Model - RPA600-1



Boom Assembly Model - RPA600-1

Item Number	Note	Part Number	Description	Quantity Per	
				Package	Assembly
1	B	1082596-NLA	NLA - Kit, Mast & Boom	1	1
2	K	1078983-NLA	NLA - Tube Cover with Internal End Cap Assembly	1	1
2	L	1152114	Tube Cover with Internal End Cap Assembly	1	1
3	G	1070960-NLA	NLA - Bracket, Hanger	1	1
	A	1065360	Cap, End, Black (1-1/4 x 2")	1	1
4	J	1079046	Boom	1	1
5		1070953-NLA	NLA - Decal	1	1
5		1120527	Decal, Lift Reliant 600	1	1
6	C	1064339	Pin, Hanger	1	1
7		1063234	Boot	1	1
8		1069053-NLA	NLA - Guard, Finger, Hydraulic Pump	1	2
9		1031665	Screw, Shoulder Hex Socket Head (3/8 x 1-1/2", 5/16-18)	1	2
10	D,E	1137247-NLA	NLA - Package, Rubber Tip, Beige	6	1
11		1065214	Washer, Flat (3/8 x 11/16 x 1/16")	1	2
12		1064267	Locknut (5/16-18)	1	2
13		1129466	Spacer (3/8 x 5/8 x 11/32")	1	1
14		1064443	Bushing (3/8 x 15/32 x 1-3/32")	1	2
15		1064338	Washer, Nylon (1-9/64 x 1-1/2 x 1/64")	1	2
16		1143630	Kit, Hanger Bar Retrofit - Extra Large	1	1
			Bar, Hanger	1	1
			Bar, Pad	1	1
17	F	1070969	Bar, Pad	1	1
18		1147501	Kit, Latch - Hanger Bar	1	1
			Package, Latch	6	1
19	F	1132034	Bar, Hanger	1	1
20	H	1147502	Kit, Scale Hardware	1	1
21			Pin, Hanger	1	1
22			Washer, Nylon (1-9/64 x 1-1/2 x 1/64")	1	2
23			Screw, Shoulder, Socket (5/16 x 1, 1/4-20 Thread)	1	1
24			Locknut (1/4-20)	1	2
25			Washer, Flat (3/8 x 11/16 x 1/16")	1	2
26			Spacer (3/8 x 5/8 x 11/32")	1	2
27		1129465	Screw, Shoulder Hex Socket Head (3/8 x 2-1/4", 5/16-18)	1	1

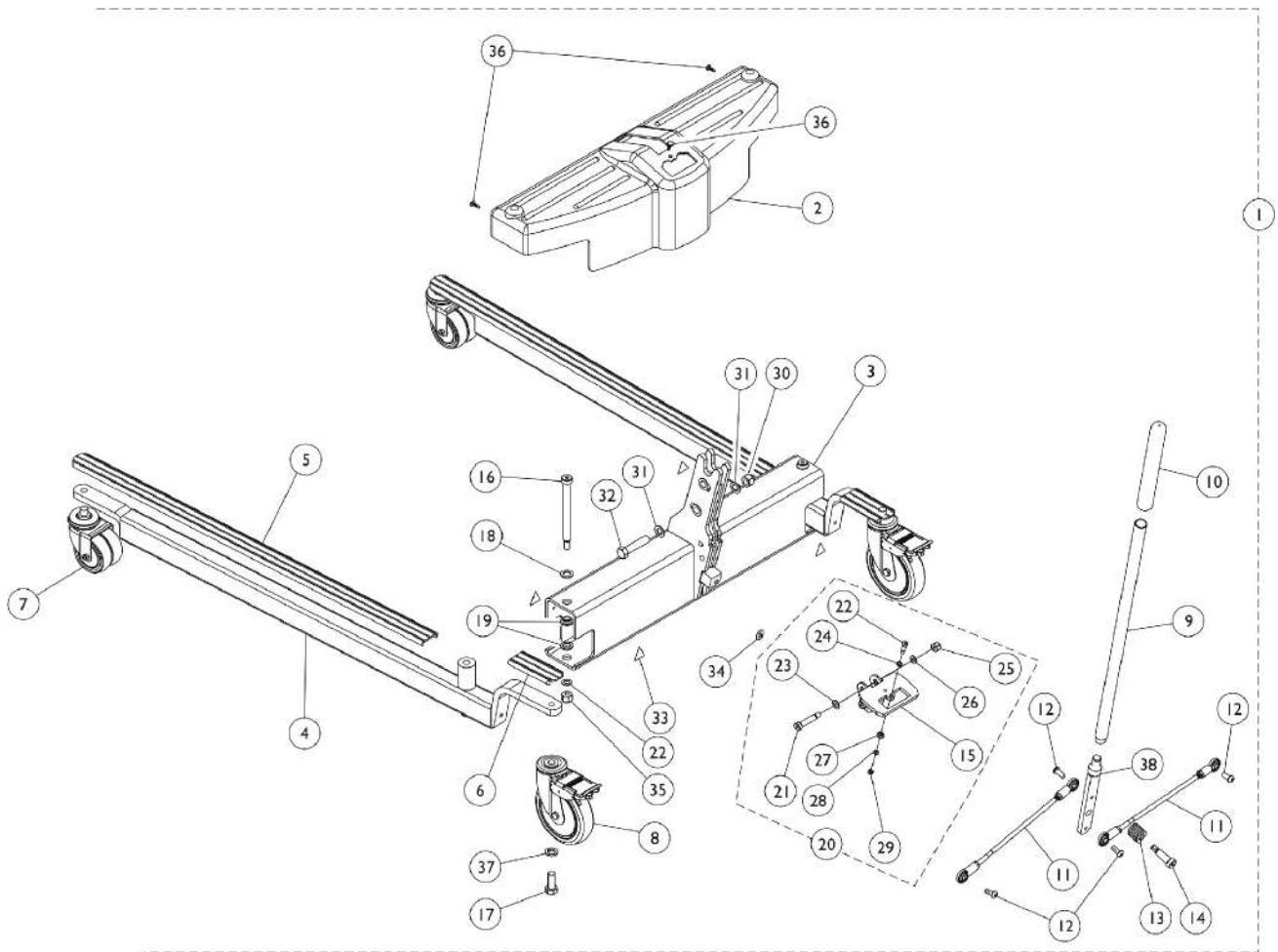
Boom Assembly

Model - RPA600-1

NOTE: A - After 5-13-1999, End Cap is Incorporated into (item 2) Tube Cover with Internal End Cap Assembly.
B - For Mast Assembly see section titled "Mast Assembly RPA600-1."
C - Not Shown.
D - Includes (6) Rubber Tips and Instruction Sheet.
E - Used on Spreader Bar Hooks.
F - Use on Boom Assembly "After 4-30-2006."
G - Use on Boom Assembly "Before 5-1-2006."
H - Used to mount Hanger Bar to Boom when using a Reliant Scale option. Use the Hanger Pin in this kit to mount the Scale and Hanger Bar to Boom.
J - As of 11-17-2008, the U Bracket that supports the hanger bar is now welded around the boom instead of under the boom and is backward compatible to lifts manufactured before 11/17/08.
K - Used on equipment built before 11-17-2008.
L - Used on equipment built after 11-16-2008.

Base Assembly (After 7/1/10) Model RPL600-1

NOTE: After 7/1/10, when using Item 3 (1132033) to replace the previous Cross Support (1078300), Items 20 (1169830) and Item 38 (1156176) should be ordered also.



Base Assembly (After 7/1/10) Model RPL600-1

NOTE: After 7/1/10, when using Item 3 (1132033) to replace the previous Cross Support (1078300), Items 20 (1169830) and Item 38 (1156176) should be ordered also.

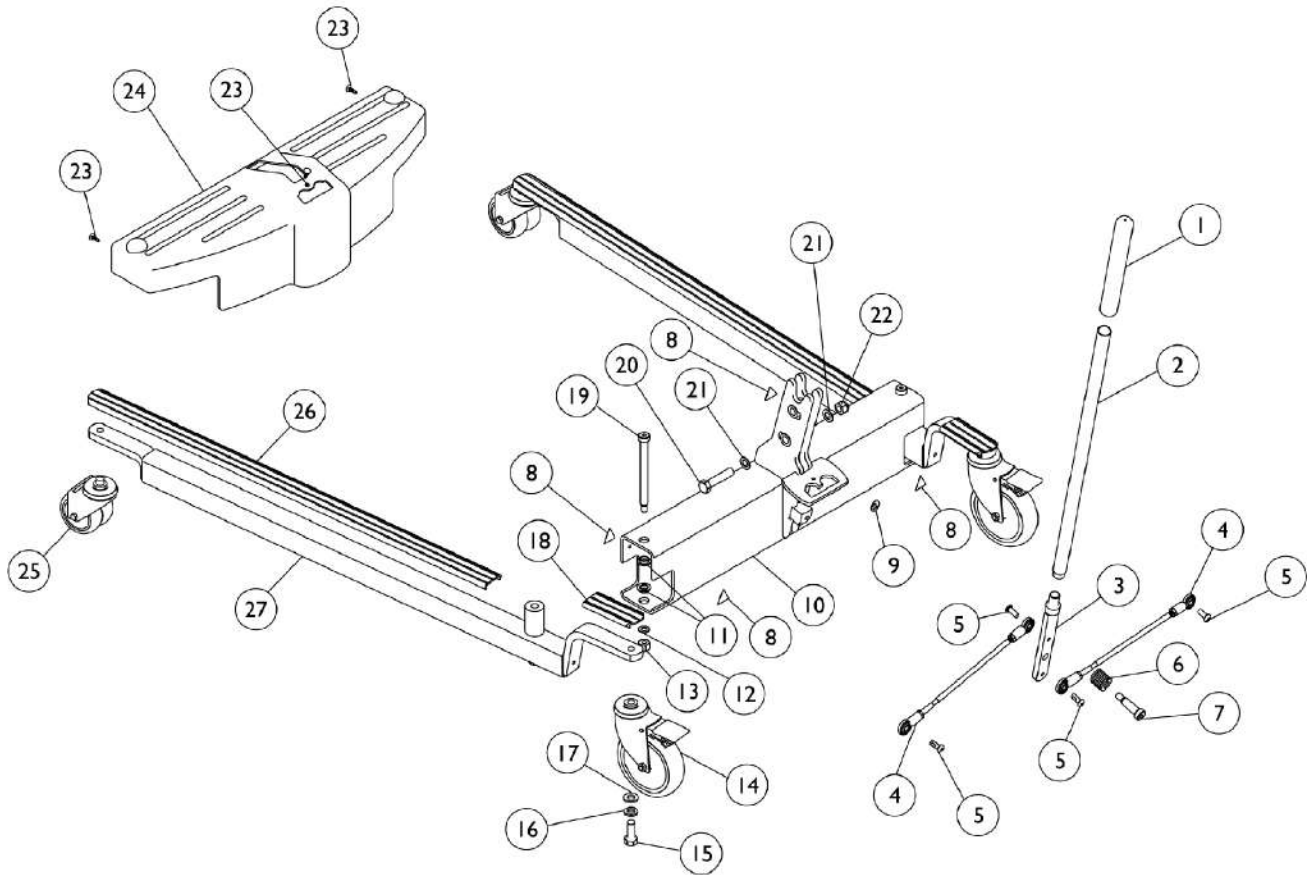
Item Number	Note	Part Number	Description	Quantity Per	
				Package	Assembly
1	A	1079810	Kit, Base - Low, Adjustable	1	1
2		1156185	Shroud	1	1
3	E	1132033	Cross Support	1	1
4		1095672	Leg, Adjustable, Low Base, Grey	1	2
5	G	1070114	Cover, Front Leg (Long)	1	2
6	H	1079137	Cover, Rear Leg (Short) - Low Base/ Standard Base	1	2
7	D	1123560	Caster, Swivel Dual (3")	1	2
8	B	1123539	Caster Assembly, Swivel w/ Brake (5")	1	2
	C,F	1110421	Kit, Caster Assembly, Swivel w/ Brake (5") (Pair)	1	1
			Caster Assembly, Swivel w/ Brake (5")	1	2
			Bushing (15/32 x 1-1/16 x 9/32")	1	2
			Instruction Sheet	1	1
9		1078287	Handle, Grey	1	1
10		1032246	Grip, Cane	1	1
11		1065152	Tie Rod Assembly	1	2
12		1155720	Screw, Socket, Button Head w/ Patch (5/16-18 x 13/16")	1	4
13		1064122	Spring, Compression (1 x 1-1/16 x 1/8")	1	1
14		1029134	Screw, Shoulder Hex Socket Head w/ Patch (1/2" x 1-1/4", 3/8-16)	1	1
16		1062424	Screw, Shoulder Hex Socket Head (1/2" x 5", 3/8-16)	1	2
17		1073884	Screw, Hex Head (1/2-13 x 1-1/4")	1	2
18		1026174	Washer (1/2 x 7/8 x 3/64")	1	2
19		1062419	Bushing, Flanged	1	4
20	E	1169830	Kit, Index Plate w/ Hardware	1	1
15			Bracket, Index Plate	1	1
21			Screw, Shoulder Hex Socket Head (3/8 x 1-1/2", 5/16-18)	1	2
22			Screw, Shoulder, Hex Socket (1/4 x 1/2", 10-32)	1	1
23			Washer, Flat (5/16 x 5/8 x 1/16")	1	2
24			Washer, Flat (1/4 x 3/8 x 1/16)	1	1
25			Locknut (5/16-18)	1	2
26			Roller, Index Plate	1	1
27			Washer, Flat (7/32 x 13/32 x 1/16)	1	1
28			Locknut (#10-32)	1	1
29			Washer, Flat (3/8 x 11/16 x 1/16")	1	2
30		1078981	Locknut (1/2-13)	1	1
31		1026174	Washer (1/2 x 7/8 x 3/64")	1	2
32		1078979	Screw, Hex Head (1/2-13 x 2-1/4")	1	1
33		1079112	Label, Attention	1	4
34		1079113	Label, Year of Manufacture	1	1

Base Assembly (After 7/1/10) Model RPL600-1

NOTE: After 7/1/10, when using Item 3 (1132033) to replace the previous Cross Support (1078300), Items 20 (1169830) and Item 38 (1156176) should be ordered also.

Item Number	Note	Part Number	Description	Quantity Per	
				Package	Assembly
35		1065216	Locknut (3/8-16)	1	2
36		1023632	Clip, Shroud	1	3
37		1014371	Lockwasher (1/2")	1	2
38	E	1156176	Handle, Mounting	1	1
NOTE: A - Includes items 2-14, and 16-37. B - Also available as a pair, see 1110421. C - Not shown in illustration. D - Caster stem is threaded, no additional hardware needed. E - After 7/1/10, when using Item 3 (1132033) to replace the previous Cross Support (1078300), Items 20 (1169830) and Item 38 (1156176) should be ordered also. F - Bushings added 7/30/12 and used for 9805/9805P Lifts only to provide clearance for the caster to rotate freely. G - As of 11/09/21 item 5 part #1070114 Long Leg Cover was replaced w/ item 6 part #1079137 Short Leg Cover. H - As of 11/09/21 item 6 is assembled to both Front and Rear of Base Leg Assembly.					

Base Assembly - RPL600-1 (Before 7/2/10)



Base Assembly - RPL600-1 (Before 7/2/10)

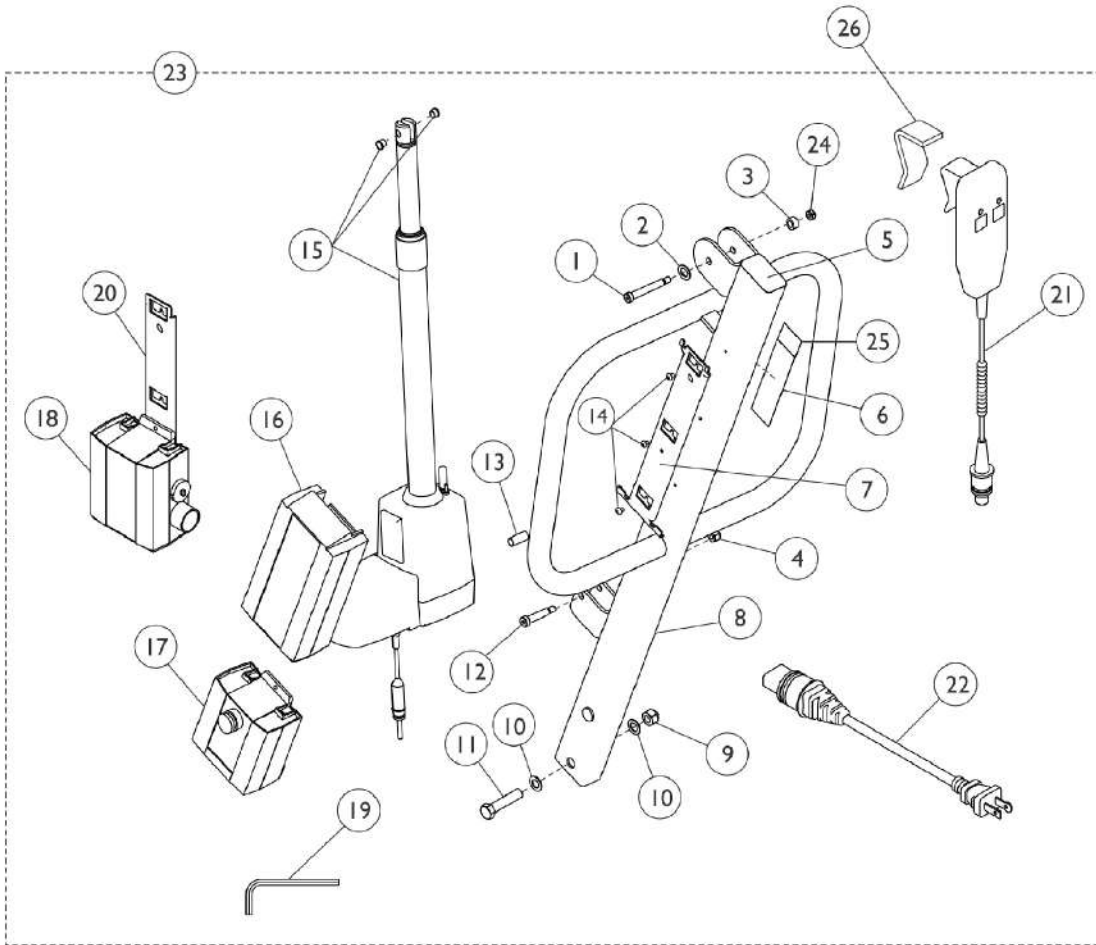
Item Number	Note	Part Number	Description	Quantity Per	
				Package	Assembly
1		1032246	Grip, Cane	1	1
2		1078287	Handle, Grey	1	1
3		1078289-NLA	NLA - Handle, Mount	1	1
4		1065152	Tie Rod Assembly	1	2
5		1065215	Screw, Socket Button Head w/ Patch (5/16-18 x 3/4")	1	2
6		1064122	Spring, Compression (1 x 1-1/16 x 1/8")	1	1
7		1029134	Screw, Shoulder Hex Socket Head w/ Patch (1/2" x 1-1/4", 3/8-16)	1	1
8		1079112	Label, Attention	1	4
9		1079113	Label, Year of Manufacture	1	1
10	F	1078300	Cross Support	1	1
11		1062419	Bushing, Flanged	1	4
12		1065214	Washer, Flat (3/8 x 11/16 x 1/16")	1	2
1		1065216	Locknut (3/8-16)	1	1
14	D	1123539	Caster Assembly, Swivel w/ Brake (5")	1	2
	C,I	1110421	Kit, Caster Assembly, Swivel w/ Brake (5") (Pair)	1	1
			Caster Assembly, Swivel w/ Brake (5")	1	2
			Bushing (15/32 x 1-1/16 x 9/32")	1	2
			Instruction Sheet	1	1
15		1073884	Screw, Hex Head (1/2-13 x 1-1/4")	1	2
16		1014371	Lockwasher (1/2")	1	2
17		1073885-NLA	NLA - Washer (1/2 x 15/16 x 1/8")	1	2
18		1079137	Cover, Rear Leg (Short) - Low Base/ Standard Base	1	2
19		1062424	Screw, Shoulder Hex Socket Head (1/2" x 5", 3/8-16)	1	2
20		1078979	Screw, Hex Head (1/2-13 x 2-1/4")	1	1
21		1026174	Washer (1/2 x 7/8 x 3/64")	1	2
22		1078981	Locknut (1/2-13)	1	1
23		1023632	Clip, Shroud	1	3
24	H	1078290-NLA	NLA - Shroud	1	1
24		1156185	Shroud	1	1
25	E	1123560	Caster, Swivel Dual (3")	1	2
26		1070114	Cover, Front Leg (Long)	1	2
27	A,G	1095672	Leg, Adjustable, Low Base, Grey	1	2
	C	1095674	Kit, Legs Adjustable, Low Base, Pair with Covers	1	1
27			Leg, Adjustable, Low Base, Grey	1	2
26			Cover, Front Leg (Long)	1	2
18			Cover, Rear Leg (Short) - Low Base/ Standard Base	1	2
	B,C	1079810	Kit, Base - Low, Adjustable	1	1

Base Assembly - RPL600-1 (Before 7/2/10)

NOTE: A - For Domestic Models only.
B - Kit includes items 1 - 19, 23 - 27, and Owner's Manual.
C - Not shown.
D - Also available as a pair, refer to part number 1110421.
E - Caster stem is threaded, no additional hardware needed.
F - Part is no longer serviceable in the field as of 7/1/10, use 1132033 as the replacement. When ordering 1132033, you should also order 1169830 and 1156176.
G - Both Legs must be replaced on Units built before 7/2/10. Order 1095674 as the replacement.
H - Part is no longer available. Order 1156185 as a replacement.
I - Bushings added 7/30/12 and used for 9805/9805P Lifts only to provide clearance for the caster to rotate freely.

Mast Assembly

Model - RPL600-1



SPT_117A

Mast Assembly

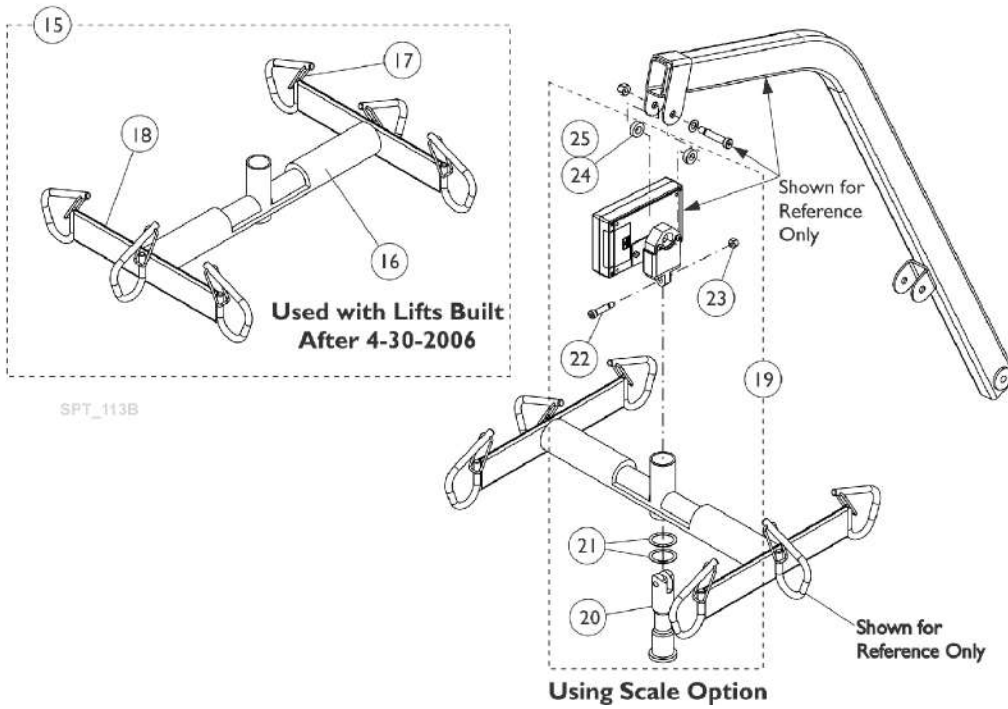
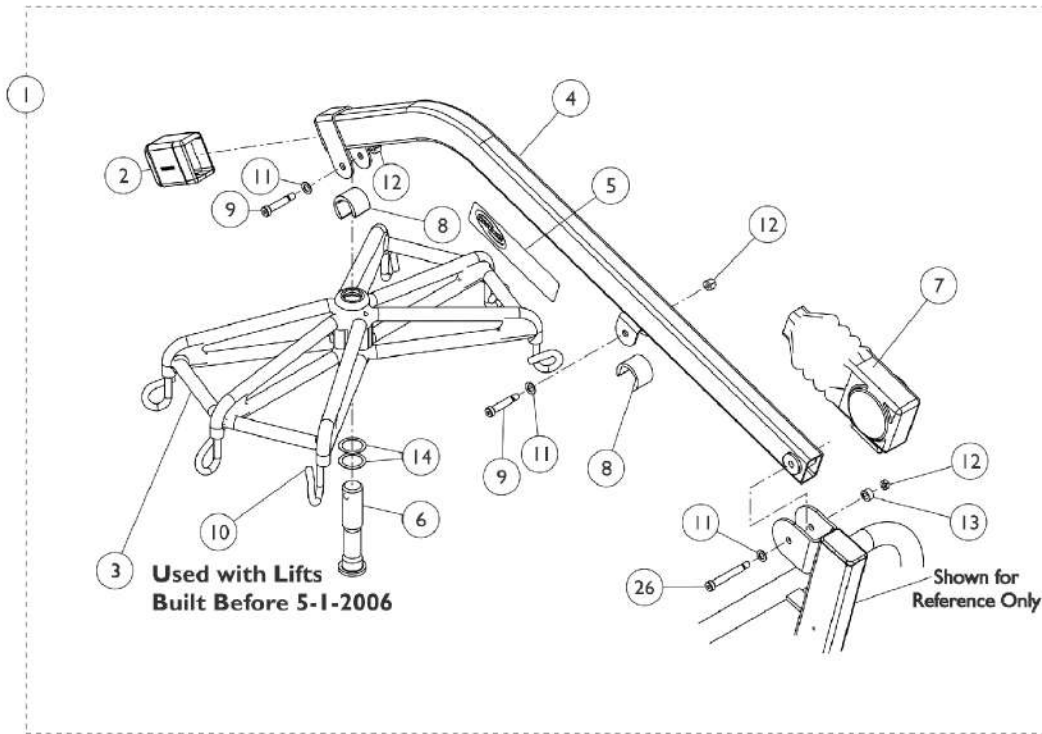
Model - RPL600-1

Item Number	Note	Part Number	Description	Quantity Per	
				Package	Assembly
1		1064454	Screw, Shoulder Hex Socket (3/8 x 2", 5/16-18)	1	1
2		1065214	Washer, Flat (3/8 x 11/16 x 1/16")	1	1
3		1129466	Spacer (3/8 x 5/8 x 11/32")	1	1
4	C	1064267	Locknut (5/16-18)	1	2
5		1065361	Cap, End, Black (1-1/2 x 2-1/2")	1	1
6		1070965-NLA	NLA - Label, Lift Warning/Operation - USA	1	1
7		1078284	Bracket, Battery - Electric Only	1	1
8		1079045	Mast	1	1
9		1078981	Locknut (1/2-13)	1	1
10		1026174	Washer (1/2 x 7/8 x 3/64")	1	2
11		1078979	Screw, Hex Head (1/2-13 x 2-1/4")	1	1
12		1031665	Screw, Shoulder Hex Socket Head (3/8 x 1-1/2", 5/16-18)	1	1
13		1064443	Bushing (3/8 x 15/32 x 1-3/32")	1	1
14		1078980	Screw, Phillips Pan Head (#10-24 x 1/4")	1	3
15	E,F	60126449	Actuator Motor w/ Bushings	1	1
	B	1133691	Package, Emergency Pull Pin	10	1
16		1078276	Battery Pack, Linak	1	1
17		1078275	Controller - Electric Only	1	1
18	G	1078274	Charger, Electric Only w/o Power Cord	1	1
19		10369X000-NLA	NLA - Wrench, Allen (3/16")	1	1
20		1078306	Bracket, Wall Mount Charger	1	1
21	D	1177604	Pendant, Two Channel w/ Hook	1	1
22		1079133	Cord, Power, USA	1	1
23	A	1082596-NLA	NLA - Kit, Mast & Boom	1	1
24	C	1028769	Locknut (5/16-18)	1	1
25		1130236-NLA	NLA - Kit, Label Warning - Bolt Mast w/Instruction - 600 Lift (Spanish)	1	1
			Sheet, Label 600 Lift (Spanish)	1	1
			Instruction Sheet, Label Kit (Spanish)	1	1
25		1130235-NLA	NLA - Kit, Label Warning - Bolt Mast w/Instruction - 600 Lift (French/Canadian)	1	1
			Sheet, Label 600 Lift (French/Canadian)	1	1
			Instruction Sheet, Label Kit (French/Canadian)	1	1
26	D	1161593	Package, Rubber Clip	10	1

NOTE: A - For Boom Assembly see section titled "Boom Assembly RPL600-1."
 B - Not Shown. On 3/19/2010, the pull pin was replaced with a pull grip that is not serviceable.
 C - After 8/21/06 the quantity for Locknut 1064267 item 3 changed to Qty 1 for the Mast Assembly. Locknut 1028769 Item 24 was added to the Mast Assembly.
 D - 1161593 should slip over Clip on Handset to provide stable positioning for Handset.
 E - As of 3/19/2010, the pull pin changed to a pull grip.
 F - Part #1078273 Actuator Motor is No Longer Available and replaced with part #60126449 Actuator Motor that now includes press-fitted Bushings.
 G - Power Cord not included with Charger.

Boom Assembly

Model - RPL600-1



SPT_113B

Boom Assembly Model - RPL600-1

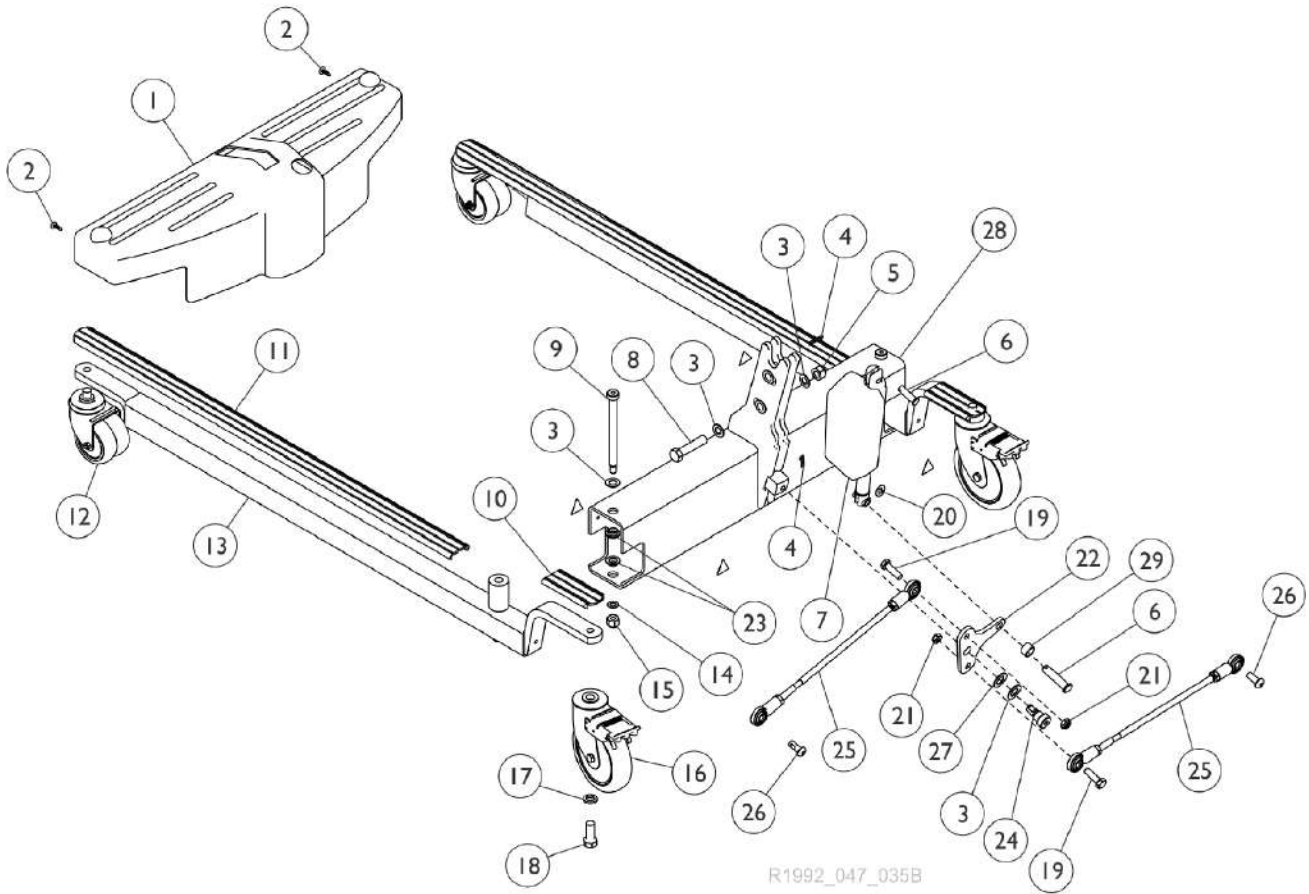
Item Number	Note	Part Number	Description	Quantity Per	
				Package	Assembly
1	B	1082596-NLA	NLA - Kit, Mast & Boom	1	1
2	K	1078983-NLA	NLA - Tube Cover with Internal End Cap Assembly	1	1
2	L	1152114	Tube Cover with Internal End Cap Assembly	1	1
3	G	1070960-NLA	NLA - Bracket, Hanger	1	1
	A	1065360	Cap, End, Black (1-1/4 x 2")	1	1
4	J	1079046	Boom	1	1
5		1070953-NLA	NLA - Decal	1	1
5		1120527	Decal, Lift Reliant 600	1	1
6	C	1064339	Pin, Hanger	1	1
7		1063234	Boot	1	1
8		1069053-NLA	NLA - Guard, Finger, Hydraulic Pump	1	2
9		1031665	Screw, Shoulder Hex Socket Head (3/8 x 1-1/2", 5/16-18)	1	2
10	D,E	1137247-NLA	NLA - Package, Rubber Tip, Beige	6	1
11		1065214	Washer, Flat (3/8 x 11/16 x 1/16")	1	3
12		1064267	Locknut (5/16-18)	1	2
13		1129466	Spacer (3/8 x 5/8 x 11/32")	1	1
		1064443	Bushing (3/8 x 15/32 x 1-3/32")	1	1
14		1064338	Washer, Nylon (1-9/64 x 1-1/2 x 1/64")	1	2
15	F	1143630	Kit, Hanger Bar Retrofit - Extra Large	1	1
			Bar, Hanger	1	1
			Bar, Pad	1	1
16		1070969	Bar, Pad	1	1
17		1147501	Kit, Latch - Hanger Bar	1	1
			Package, Latch	6	1
18		1132034	Bar, Hanger	1	1
19	H	1147502	Kit, Scale Hardware	1	1
20			Pin, Hanger	1	1
21			Washer, Nylon (1-9/64 x 1-1/2 x 1/64")	1	2
22			Screw, Shoulder, Socket (5/16 x 1, 1/4-20 Thread)	1	1
23			Locknut (1/4-20)	1	2
24			Washer, Flat (3/8 x 11/16 x 1/16")	1	2
25			Spacer (3/8 x 5/8 x 11/32")	1	2
26		1129465	Screw, Shoulder Hex Socket Head (3/8 x 2-1/4", 5/16-18)	1	1

Boom Assembly

Model - RPL600-1

NOTE: A - After 5-13-1999, End Cap is Incorporated into (item 2) Tube Cover with Internal End Cap Assembly.
B - For Mast Assembly see section titled "Mast Assembly RPA600-1."
C - Not Shown.
D - Includes (6) Rubber Tips and Instruction Sheet.
E - Used on Spreader Bar Hooks.
F - Use on Boom Assembly "After 4-30-2006."
G - Use on Boom Assembly "Before 5-1-2006."
H - Used to mount Hanger Bar to Boom when using a Reliant Scale option. Use the Hanger Pin in this kit to mount the Scale and Hanger Bar to Boom.
J - As of 11-17-2008, the U Bracket that supports the hanger bar is now welded around the boom instead of under the boom and is backward compatible to lifts manufactured before 11/17/08.
K - Used on equipment built before 11-17-2008.
L - Used on equipment built after 11-16-2008.

Base Assembly - RPL600-2

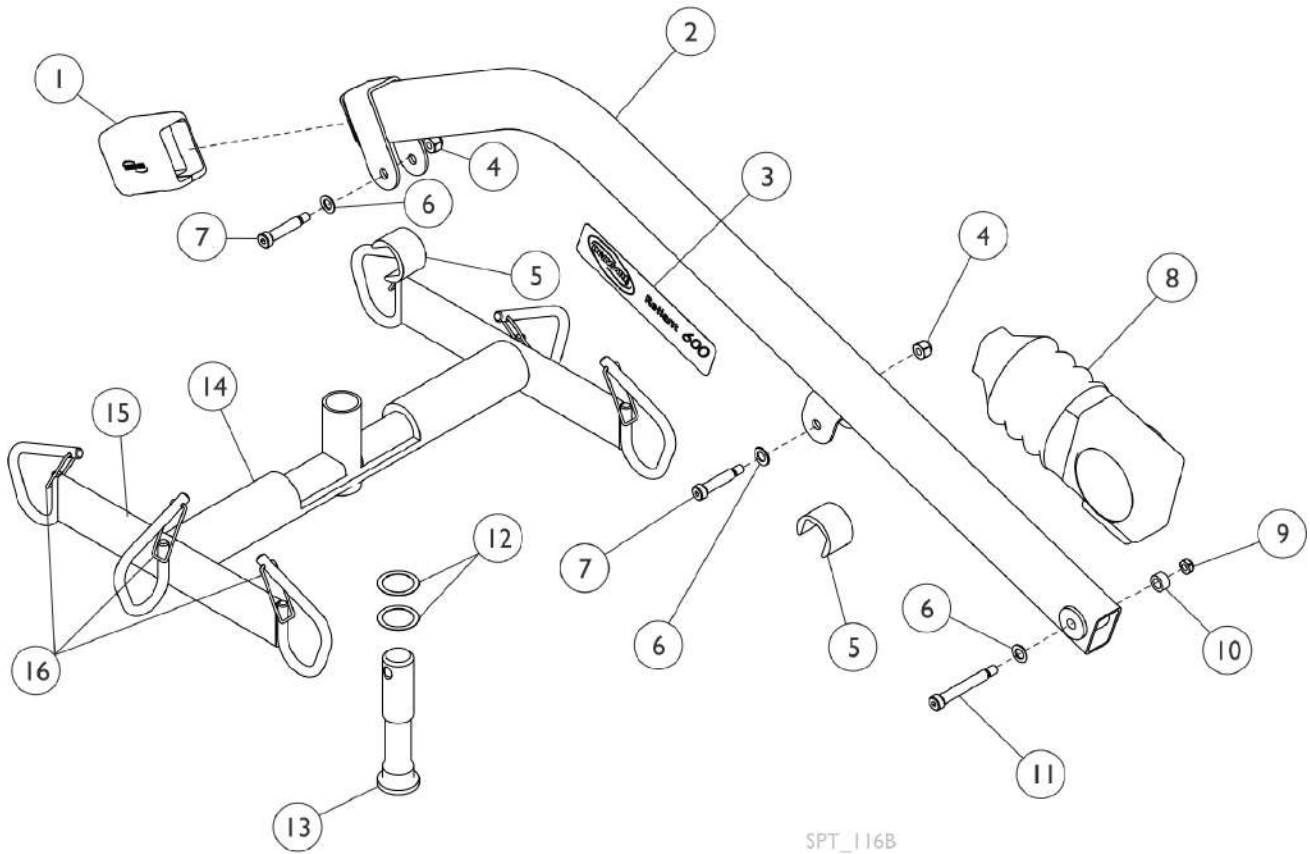


Base Assembly - RPL600-2

Item Number	Note	Part Number	Description	Quantity Per	
				Package	Assembly
1		1132017	Shroud	1	1
2		1023632	Clip, Shroud	1	2
3		1026174	Washer (1/2 x 7/8 x 3/64")	1	5
4	G	51000M743	Pin, Hitch (3/8 x 1-3/16")	1	2
5		1078981	Locknut (1/2-13)	1	1
6	F	1142010	Pin, Clevis (10mm x 44mm)	1	2
7		1132028	Actuator Motor	1	1
8		1078979	Screw, Hex Head (1/2-13 x 2-1/4")	1	1
9		1062424	Screw, Shoulder Hex Socket Head (1/2" x 5", 3/8-16)	1	2
10	I	1079137	Cover, Rear Leg (Short) - Low Base/ Standard Base	1	2
11	H	1070114	Cover, Front Leg (Long)	1	2
12	A	1123560	Caster, Swivel Dual (3")	1	2
13		1095672	Leg, Adjustable, Low Base, Grey	1	2
14		1065214	Washer, Flat (3/8 x 11/16 x 1/16")	1	2
15		1065216	Locknut (3/8-16)	1	2
16	C	1123539	Caster Assembly, Swivel w/ Brake (5")	1	2
	D,E	1110421	Kit, Caster Assembly, Swivel w/ Brake (5") (Pair)	1	1
			Caster Assembly, Swivel w/ Brake (5")	1	2
			Bushing (15/32 x 1-1/16 x 9/32")	1	2
			Instruction Sheet	1	1
17		1014371	Lockwasher (1/2")	1	2
18		1073884	Screw, Hex Head (1/2-13 x 1-1/4")	1	2
19		1003548	Screw, Hex Head (5/16-18 x 1")	1	2
20		1079113	Label, Year of Manufacture	1	2
21		1028769	Locknut (5/16-18)	1	2
22		1132026	Bracket, Pivot	1	1
23		1062419	Bushing, Flanged	1	4
24		1086322	Screw, Shoulder Hex Socket Head (1/2 x 3/8", 3/8-16)	1	1
25		1065152	Tie Rod Assembly	1	2
27		1144639	Washer, Nylon (1/2 x 7/8 x 1/16")	1	1
28	B	1132033	Cross Support	1	1
29		1111931	Spacer (1/2 x 5/8 x 3/8")	1	1

NOTE: A - Caster stem is threaded. No additional hardware needed.
 B - As of 7/2/10, when using Item 28 (1132033) to replace 1078300, Items 1169830 and 1156176 should be ordered also.
 C - Item also available as a pair, refer to Kit Part Number 1110421.
 D - Bushings added 7/30/12 and used for 9805/9805P Lifts only to provide clearance for the caster to rotate freely.
 E - Not Shown
 F - 1142010 is now available from The Aftermarket Group (TAG) under part number TAG1142010.
 G - This item is also a component of Actuator Mounting Hardware Kit (1177625)
 H - As of 11/09/21 item 11 part #1070114 Long Leg Cover was replaced w/ item 10 part #1079137 Short Leg Cover.
 I - As of 11/09/21 item 10 is assembled to both Front and Rear of Base Leg Assembly.

Boom Assembly - RPL600-2

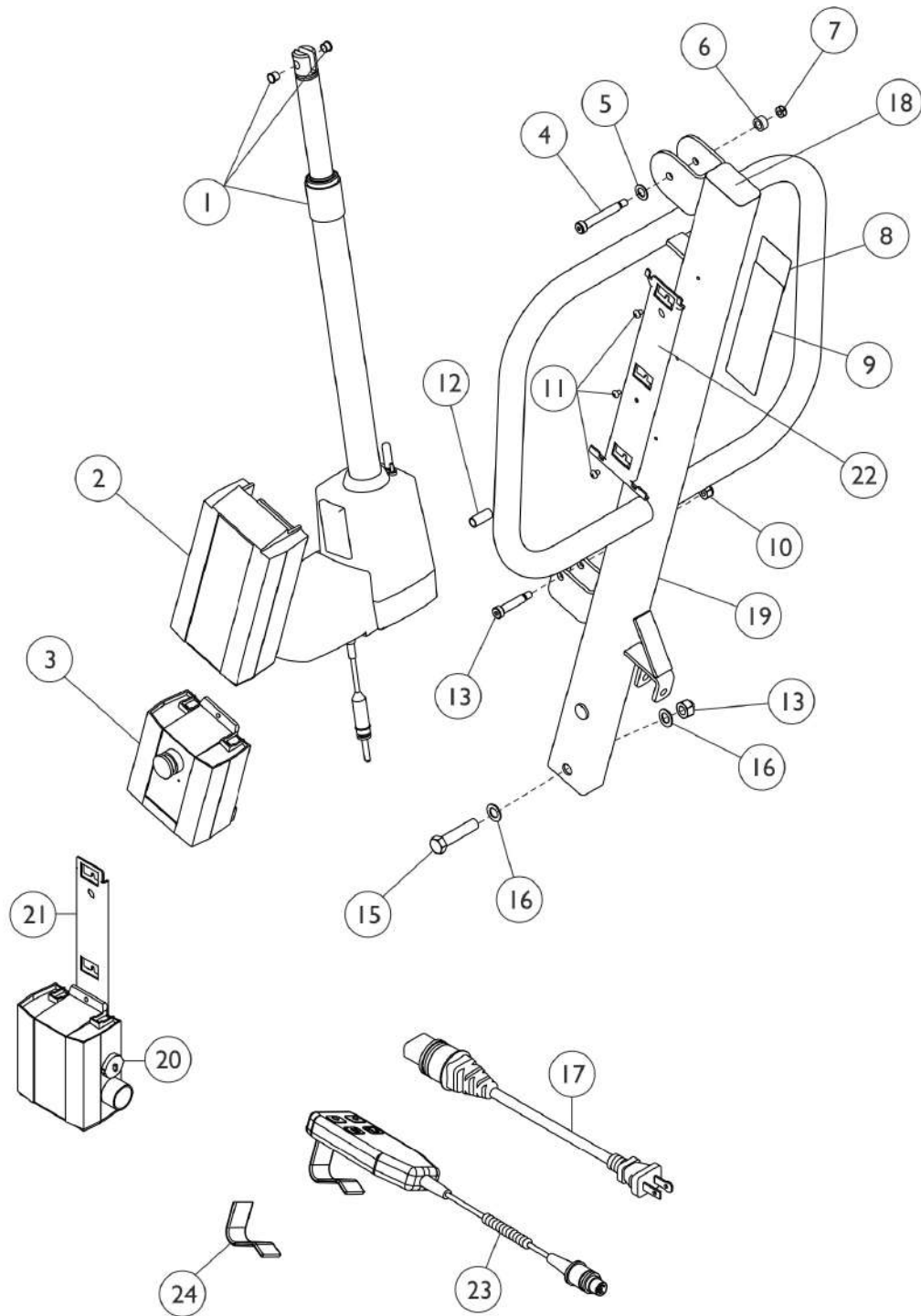


Boom Assembly - RPL600-2

Item Number	Note	Part Number	Description	Quantity Per	
				Package	Assembly
1	B	1078983-NLA	NLA - Tube Cover with Internal End Cap Assembly	1	1
1	C	1152114	Tube Cover with Internal End Cap Assembly	1	1
2	A	1079046	Boom	1	1
3		1120527	Decal, Lift Reliant 600	1	1
4		1064267	Locknut (5/16-18)	1	3
5		1064269	Guard, Finger	1	2
6		1065214	Washer, Flat (3/8 x 11/16 x 1/16")	1	3
7		1031665	Screw, Shoulder Hex Socket Head (3/8 x 1-1/2", 5/16-18)	1	2
8		1063234	Boot	1	1
9		1028769	Locknut (5/16-18)	1	1
10		1129466	Spacer (3/8 x 5/8 x 11/32")	1	1
11		1129465	Screw, Shoulder Hex Socket Head (3/8 x 2-1/4", 5/16-18)	1	1
12		1064338	Washer, Nylon (1-9/64 x 1-1/2 x 1/64")	1	2
13		1064339	Pin, Hanger	1	1
14		1070969	Bar, Pad	1	1
15		1132034	Bar, Hanger	1	1
16		1147501	Kit, Latch - Hanger Bar	1	1
			Package, Latch	6	1

NOTE: A - As of 11/17/08 the U Bracket that supports the hanger bar is now welded around the boom instead of under the boom and is backward compatible to lifts manufactured before 11/17/08.
 B - Used before 11/17/08.
 C - Used after 11/16/08.

Mast Assembly - RPL600-2



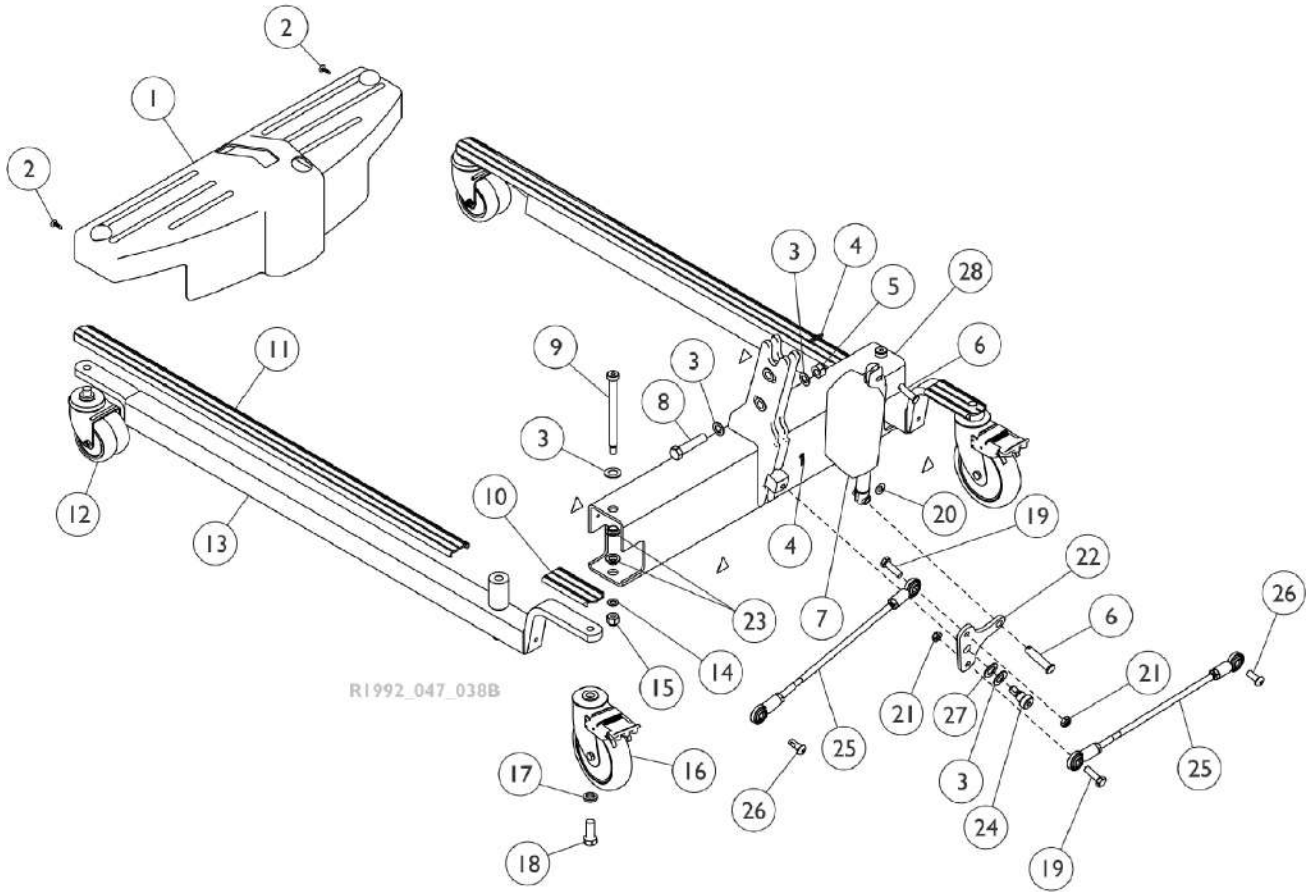
SPT_120B

Mast Assembly - RPL600-2

Item Number	Note	Part Number	Description	Quantity Per	
				Package	Assembly
1	C,E	60126449	Actuator Motor w/ Bushings	1	1
2		1078276	Battery Pack, Linak	1	1
3		1132050	Controller, Linak	1	1
4		1129465	Screw, Shoulder Hex Socket Head (3/8 x 2-1/4", 5/16-18)	1	1
5		1065214	Washer, Flat (3/8 x 11/16 x 1/16")	1	1
6		1129466	Spacer (3/8 x 5/8 x 11/32")	1	1
7		1028769	Locknut (5/16-18)	1	1
8		1130200	Label, Warning Bolt Mast	1	1
9		1070965-NLA	NLA - Label, Lift Warning/Operation - USA	1	1
10		1064267	Locknut (5/16-18)	1	1
11		1078980	Screw, Phillips Pan Head (#10-24 x 1/4")	1	3
12		1064443	Bushing (3/8 x 15/32 x 1-3/32")	1	1
13		1078981	Locknut (1/2-13)	1	1
14		1031665	Screw, Shoulder Hex Socket Head (3/8 x 1-1/2", 5/16-18)	1	1
15		1078979	Screw, Hex Head (1/2-13 x 2-1/4")	1	1
16		1026174	Washer (1/2 x 7/8 x 3/64")	1	2
17		1079133	Cord, Power, USA	1	1
18		1065361	Cap, End, Black (1-1/2 x 2-1/2")	1	1
19		1132027-NLA	NLA - Mast	1	1
20		1078274	Charger, Electric Only w/o Power Cord	1	1
21		1078306	Bracket, Wall Mount Charger	1	1
22		1078284	Bracket, Battery - Electric Only	1	1
23	B,D	1132051-NLA	NLA - Pendant, Four Channel w/ Hook	1	1
23	B	1177605	Pendant, Four Channel w/ Hook	1	1
24	B	1161593	Package, Rubber Clip	10	1
	A	10369X000-NLA	NLA - Wrench, Allen (3/16")	1	1
	F	1079815	Kit, Charger - USA Only	1	1
2			Battery Pack, Linak	1	1
17			Cord, Power, USA	1	1
20			Charger, Electric Only w/o Power Cord	1	1
21			Bracket, Wall Mount Charger	1	1

NOTE: A - Not Shown.
 B - 1161593 should slip over Clip on Handset to provide stable positioning for Handset.
 C - As of 3/19/2010, the pull pin changed to a pull grip.
 D - No Longer Available. See part #1177605 as a replacement.
 E - Part #1078273 Actuator Motor is No Longer Available and replaced with part #60126449 Actuator Motor that now includes press-fitted Bushings.
 F - Includes items 2,17,20,21

Base Assembly - RPL450-2

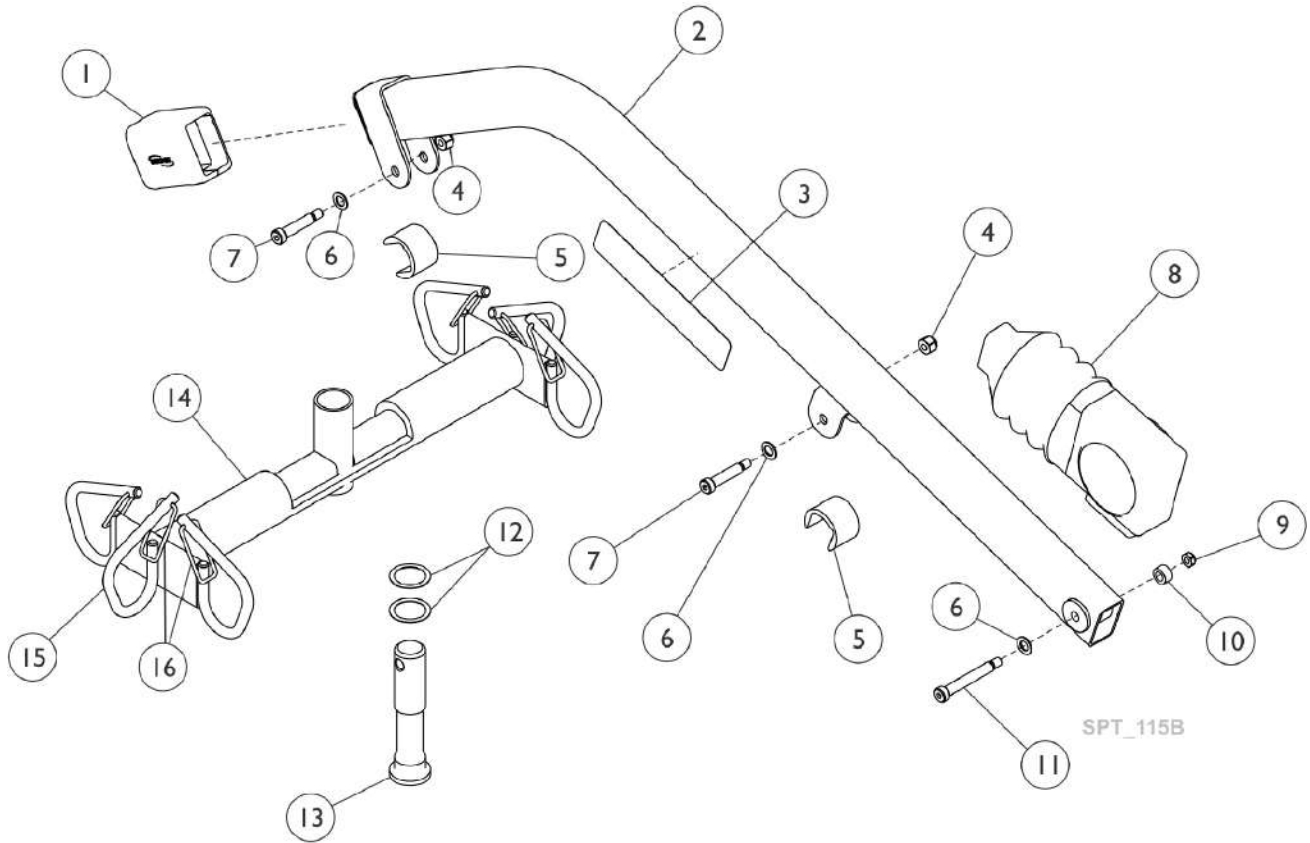


Base Assembly - RPL450-2

Item Number	Note	Part Number	Description	Quantity Per	
				Package	Assembly
1		1132017	Shroud	1	1
2		1023632	Clip, Shroud	1	2
3		1026174	Washer (1/2 x 7/8 x 3/64")	1	5
4	C	51000M743	Pin, Hitch (3/8 x 1-3/16")	1	2
5		1078981	Locknut (1/2-13)	1	1
6	B	1142010	Pin, Clevis (10mm x 44mm)	1	2
7		1132028	Actuator Motor	1	1
8		1078979	Screw, Hex Head (1/2-13 x 2-1/4")	1	1
9		1062424	Screw, Shoulder Hex Socket Head (1/2" x 5", 3/8-16)	1	2
10	E	1079137	Cover, Rear Leg (Short) - Low Base/ Standard Base	1	2
11	D	1070114	Cover, Front Leg (Long)	1	2
12	A	1123560	Caster, Swivel Dual (3")	1	2
13		1095672	Leg, Adjustable, Low Base, Grey	1	2
14		1065214	Washer, Flat (3/8 x 11/16 x 1/16")	1	2
15		1065216	Locknut (3/8-16)	1	2
16		1123539	Caster Assembly, Swivel w/ Brake (5")	1	2
17		1014371	Lockwasher (1/2")	1	2
18		1073884	Screw, Hex Head (1/2-13 x 1-1/4")	1	2
19		1003548	Screw, Hex Head (5/16-18 x 1")	1	2
20		1079113	Label, Year of Manufacture	1	2
21		1028769	Locknut (5/16-18)	1	2
22		1132026	Bracket, Pivot	1	1
23		1062419	Bushing, Flanged	1	4
24		1086322	Screw, Shoulder Hex Socket Head (1/2 x 3/8", 3/8-16)	1	1
25		1065152	Tie Rod Assembly	1	2
26		1155720	Screw, Socket, Button Head w/ Patch (5/16-18 x 13/16")	1	2
27		1144639	Washer, Nylon (1/2 x 7/8 x 1/16")	1	1
28		1132033	Cross Support	1	1

NOTE: A - Caster stem is threaded. No additional hardware needed.
 B - 1142010 is now available from The Aftermarket Group (TAG) under part number TAG1142010.
 C - This item is also a component of Actuator Mounting Hardware Kit (1177625)
 D - As of 11/09/21 item 11 part #1070114 Long Leg Cover was replaced w/ item 10 part #1079137 Short Leg Cover.
 E - As of 11/09/21 item #10 is assembled to both Front and Rear of Base Leg Assembly.

Boom Assembly - RPL450-2

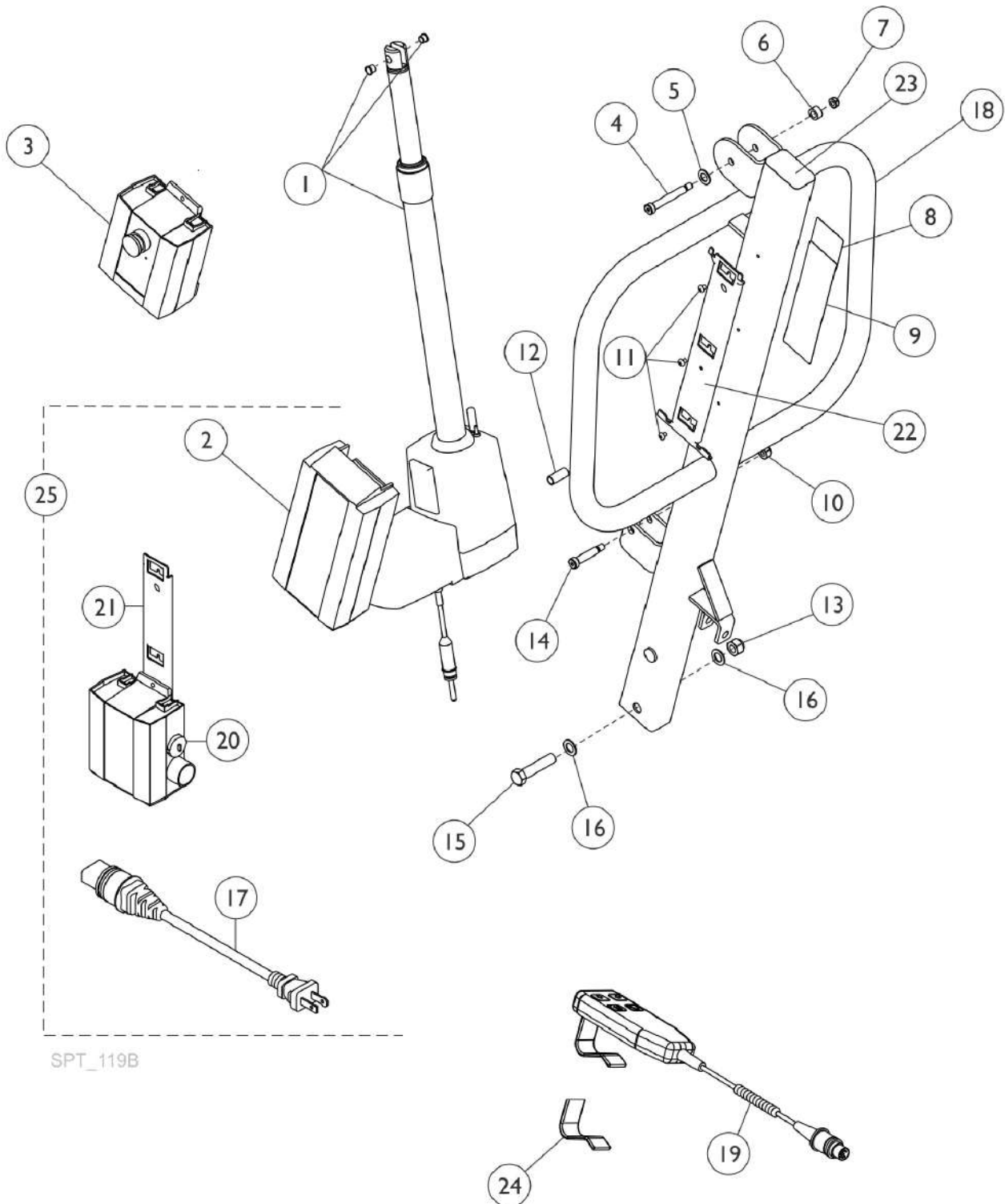


Boom Assembly - RPL450-2

Item Number	Note	Part Number	Description	Quantity Per	
				Package	Assembly
1	B	1078983-NLA	NLA - Tube Cover with Internal End Cap Assembly	1	1
1	C	1152114	Tube Cover with Internal End Cap Assembly	1	1
2	A	1078297	Boom, RPL/ RPA, Electric	1	1
3		1068065	Decal - Reliant 450 Lift	1	1
4		1064267	Locknut (5/16-18)	1	3
5		1064269	Guard, Finger	1	2
6		1065214	Washer, Flat (3/8 x 11/16 x 1/16")	1	3
7		1031665	Screw, Shoulder Hex Socket Head (3/8 x 1-1/2", 5/16-18)	1	2
8		1063234	Boot	1	1
9		1028769	Locknut (5/16-18)	1	1
10		1129466	Spacer (3/8 x 5/8 x 11/32")	1	1
11		1129465	Screw, Shoulder Hex Socket Head (3/8 x 2-1/4", 5/16-18)	1	1
12		1064338	Washer, Nylon (1-9/64 x 1-1/2 x 1/64")	1	2
13		1064339	Pin, Hanger	1	1
14		1070969	Bar, Pad	1	1
15		1132035	Bar, Hanger	1	1
16		1147501	Kit, Latch - Hanger Bar	1	1
			Package, Latch	6	1

NOTE: A - As of 11/17/08 the U Bracket that supports the hanger bar is now welded around the boom instead of under the boom and is backward compatible to lifts manufactured before 11/17/08.
 B - Used before 11/17/08.
 C - Used after 11/16/08.

Mast Assembly - RPL450-2



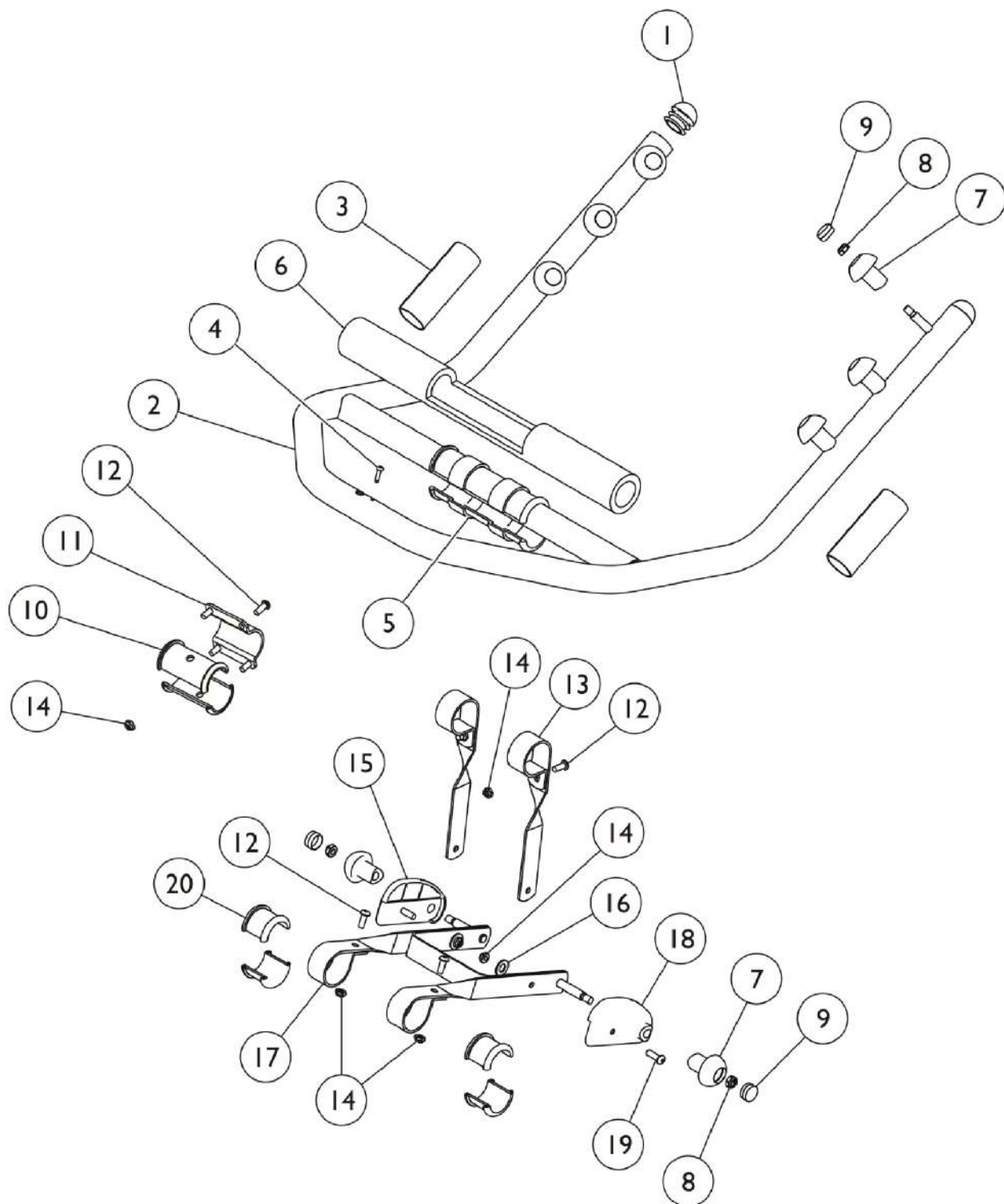
SPT_119B

Mast Assembly - RPL450-2

Item Number	Note	Part Number	Description	Quantity Per	
				Package	Assembly
1	E,G	60126449	Actuator Motor w/ Bushings	1	1
2		1078276	Battery Pack, Linak	1	1
3		1132050	Controller, Linak	1	1
4		1129465	Screw, Shoulder Hex Socket Head (3/8 x 2-1/4", 5/16-18)	1	1
5		1065214	Washer, Flat (3/8 x 11/16 x 1/16")	1	1
6		1129466	Spacer (3/8 x 5/8 x 11/32")	1	1
7		1028769	Locknut (5/16-18)	1	1
8		1130200	Label, Warning Bolt Mast	1	1
9		1070965-NLA	NLA - Label, Lift Warning/Operation - USA	1	1
10		1064267	Locknut (5/16-18)	1	1
11		1078980	Screw, Phillips Pan Head (#10-24 x 1/4")	1	3
12		1064443	Bushing (3/8 x 15/32 x 1-3/32")	1	1
13		1078981	Locknut (1/2-13)	1	1
14		1031665	Screw, Shoulder Hex Socket Head (3/8 x 1-1/2", 5/16-18)	1	1
15		1078979	Screw, Hex Head (1/2-13 x 2-1/4")	1	1
16		1026174	Washer (1/2 x 7/8 x 3/64")	1	2
17		1079133	Cord, Power, USA	1	1
18	D	See Note	See Footnote	1	1
19	B,F	1132051	NLA - Pendant, Four Channel w/ Hook	1	1
19	B	1177605	Pendant, Four Channel w/ Hook	1	1
20	H	1078274	Charger, Electric Only w/o Power Cord	1	1
21		1078306	Bracket, Wall Mount Charger	1	1
22		1078284	Bracket, Battery - Electric Only	1	1
23		1065361	Cap, End, Black (1-1/2 x 2-1/2")	1	1
24	B	1161593	Package, Rubber Clip	10	1
	A	10369X000-NLA	NLA - Wrench, Allen (3/16")	1	1
25	C	1079815	Kit, Charger - USA Only	1	1
2			Battery Pack, Linak	1	1
17			Cord, Power, USA	1	1
20			Charger, Electric Only w/o Power Cord	1	1
21			Bracket, Wall Mount Charger	1	1

NOTE: A - Not Shown.
 B - 1161593 should slip over Clip on Handset to provide stable positioning for Handset.
 C - Includes items 2, 17, 20 and 21.
 D - Mast is no longer serviceable.
 E - As of 3/19/2010, the pull pin changed to a pull grip.
 F - No Longer Available. See part #1177605 as a replacement.
 G - Part #1078273 Actuator Motor is No Longer Available and replaced with part #60126449 Actuator Motor that now includes press-fitted Bushings.
 H - Power Cord not included with Charger.

Arm/Horn Assembly - RPS350-2 (Before 7/2/10)

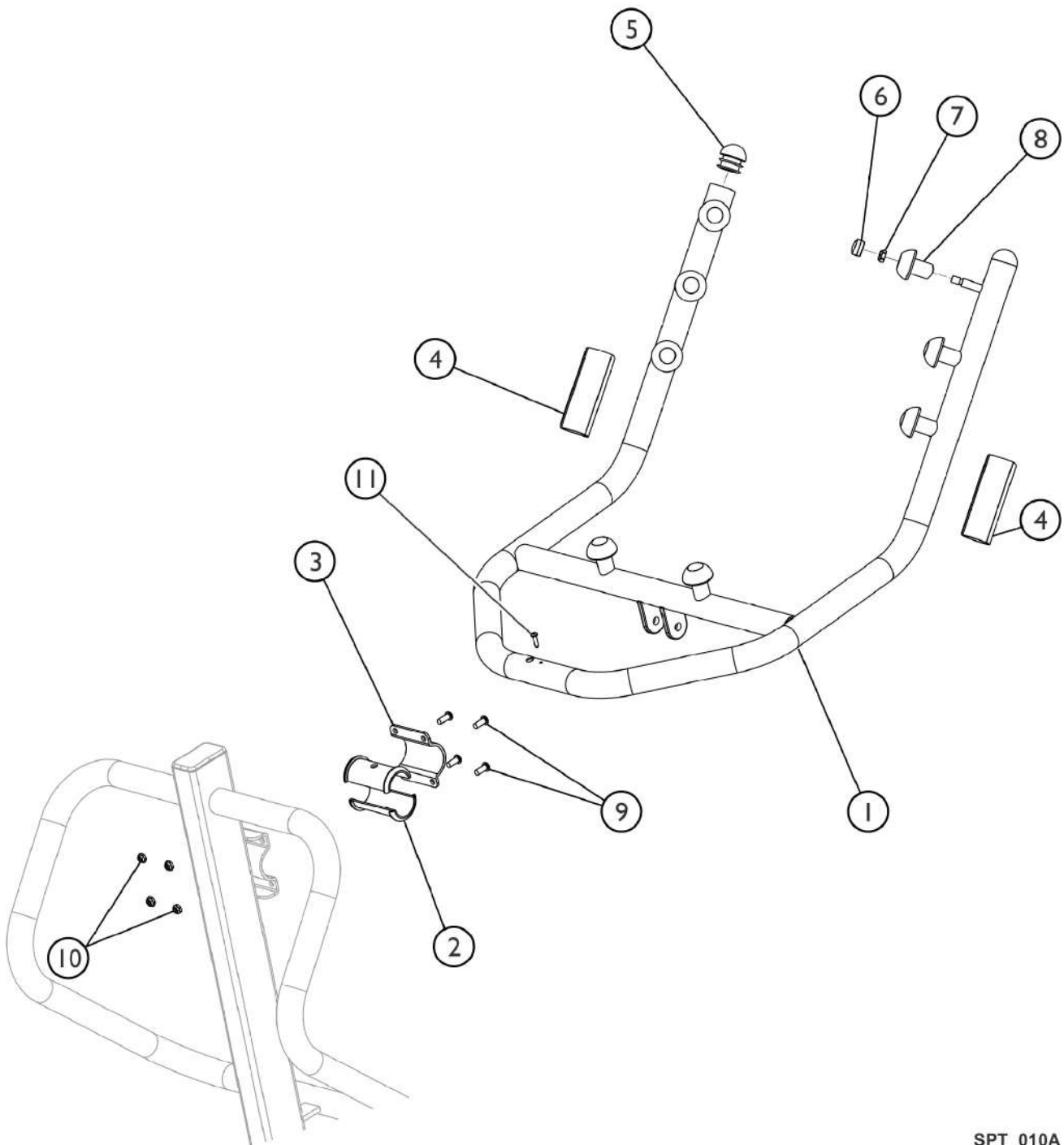


Arm/Horn Assembly - RPS350-2 (Before 7/2/10)

Item Number	Note	Part Number	Description	Quantity Per	
				Package	Assembly
1		1071249	Plug Button, Dome, Black (1-1/4")	1	2
2		1071091-NLA	NLA - Arm/Horn Tube Assembly	1	1
3		1076388	Pad, Grip	1	2
4		12642X000	Screw (#8-18 x 5/8")	1	1
5		1070180-NLA	NLA - Bushing, Drive Lift	1	2
6		1070969	Bar, Pad	1	1
7		1070177	Knob, Hook, Black	1	8
8		1028769	Locknut (5/16-18)	1	8
9		1070902	Cap, Hook	1	8
10		1070175	Bushing, Horn	1	2
11		1071834	Bracket, Horn, Grey	1	1
12		1007269	Screw, Socket Button Head (1/4-20 x 5/8")	1	8
13		1071835-NLA	NLA - Bracket, Linkage, Grey	1	2
14		1025195	Locknut (1/4-20)	1	10
15		1071831-NLA	NLA - Spacer, Guard - Left	1	1
16		1049527	Washer, Nylon (3/8 x 3/4 x 1/16")	1	2
17		1071154-NLA	NLA - Linkage Bracket Assembly	1	1
18		1071830-NLA	NLA - Spacer, Guard - Right	1	1
19		1009838	Screw, Socket Button (1/4-20 x 3/4")	1	2
20		1070176	Bushing, Handle	1	4

Arm/Horn Assembly

Model RPS350-2 (After 7/1/10)

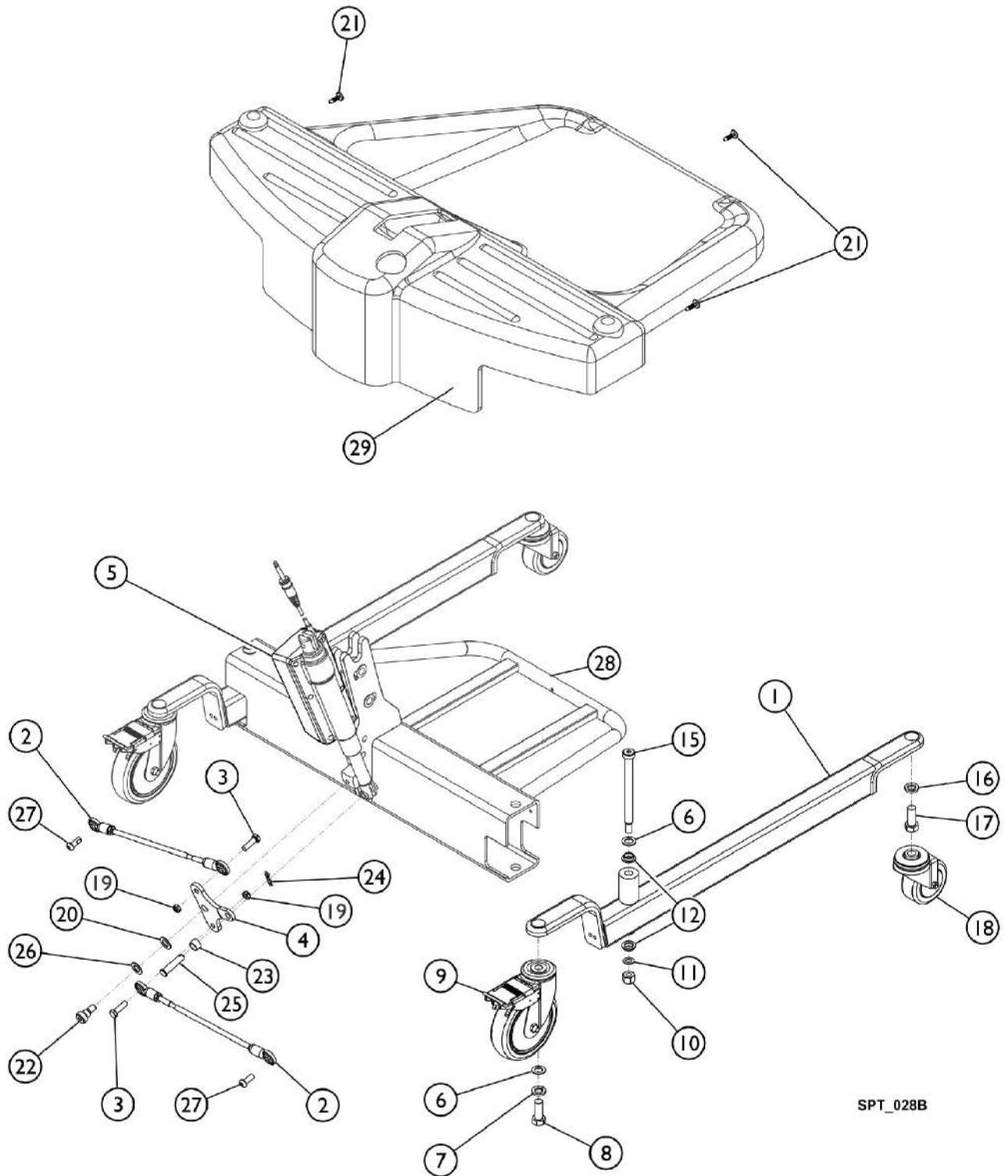


SPT_010A

Arm/Horn Assembly Model RPS350-2 (After 7/1/10)

Item Number	Note	Part Number	Description	Quantity Per	
				Package	Assembly
1		1156174	Arm/Horn Tube Assembly	1	1
2		1156173	Bushing, Horn	1	2
3		1071834	Bracket, Horn, Grey	1	1
4		1076388	Pad, Grip	1	2
5		1071249	Plug Button, Dome, Black (1-1/4")	1	2
6		1070902	Cap, Hook	1	8
7		1028769	Locknut (5/16-18)	1	8
8		1070177	Knob, Hook, Black	1	8
9		1007269	Screw, Socket Button Head (1/4-20 x 5/8")	1	4
10		1025195	Locknut (1/4-20)	1	4
11		12642X000	Screw (#8-18 x 5/8")	1	1

Base Assembly - RPS350-2



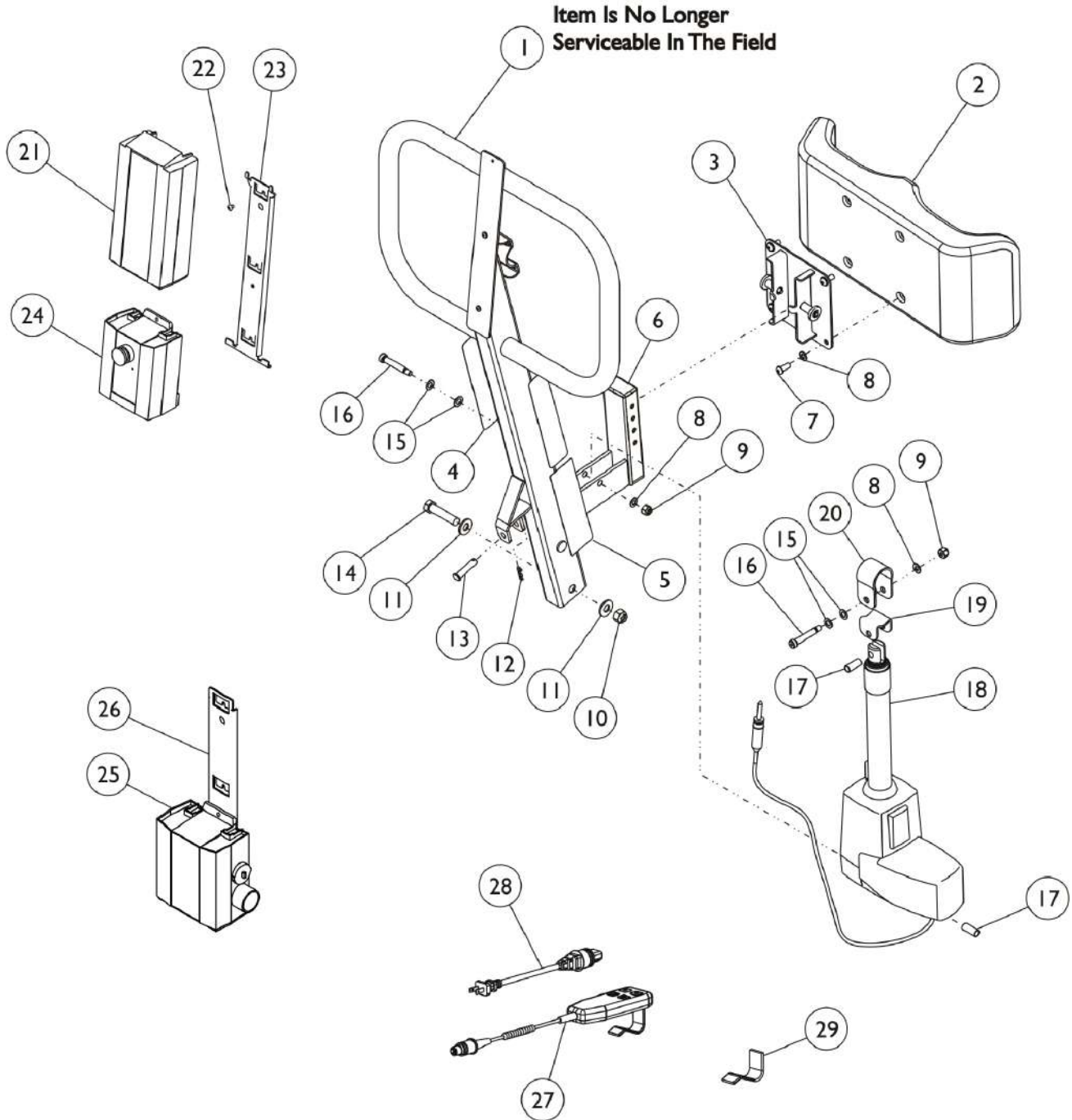
SPT_028B

Base Assembly - RPS350-2

Item Number	Note	Part Number	Description	Quantity Per	
				Package	Assembly
1		1095671	Leg, Single	1	2
2		1065152	Tie Rod Assembly	1	2
3		1003548	Screw, Hex Head (5/16-18 x 1")	1	1
4		1132026	Bracket, Pivot	1	1
5		1132028	Actuator Motor	1	1
6		1026174	Washer (1/2 x 7/8 x 3/64")	1	4
7		1014371	Lockwasher (1/2")	1	2
8		1073884	Screw, Hex Head (1/2-13 x 1-1/4")	1	2
9		1123539	Caster Assembly, Swivel w/ Brake (5")	1	2
10		1065216	Locknut (3/8-16)	1	2
11		1065214	Washer, Flat (3/8 x 11/16 x 1/16")	1	2
12		1062419	Bushing, Flanged	1	4
15		1062424	Screw, Shoulder Hex Socket Head (1/2" x 5", 3/8-16)	1	2
16		1014371	Lockwasher (1/2")	1	2
17		1086322	Screw, Shoulder Hex Socket Head (1/2 x 3/8", 3/8-16)	1	2
18	A	1123560	Caster, Swivel Dual (3")	1	2
19		1028769	Locknut (5/16-18)	1	2
20		1144639	Washer, Nylon (1/2 x 7/8 x 1/16")	1	1
21		1023632	Clip, Shroud	1	3
22		1086322	Screw, Shoulder Hex Socket Head (1/2 x 3/8", 3/8-16)	1	1
23		1111931	Spacer (1/2 x 5/8 x 3/8")	1	1
24	D	51000M743	Pin, Hitch (3/8 x 1-3/16")	1	2
25	B	1142010	Pin, Clevis (10mm x 44mm)	1	1
26		1026174	Washer (1/2 x 7/8 x 3/64")	1	1
27		1065215	Screw, Socket Button Head w/ Patch (5/16-18 x 3/4")	1	2
28		1147175	Cross Support with Footrest	1	1
29		1147176	Shroud, Cross Support	1	1

NOTE: A - Caster stem is threaded. No additional hardware needed.
 B - 1142010 is now available from The Aftermarket Group (TAG) under part number TAG1142010.
 D - This item is also a component of Actuator Mounting Hardware Kit (1177625)

Mast Assembly - RPS350-2 (Before 7/2/10)



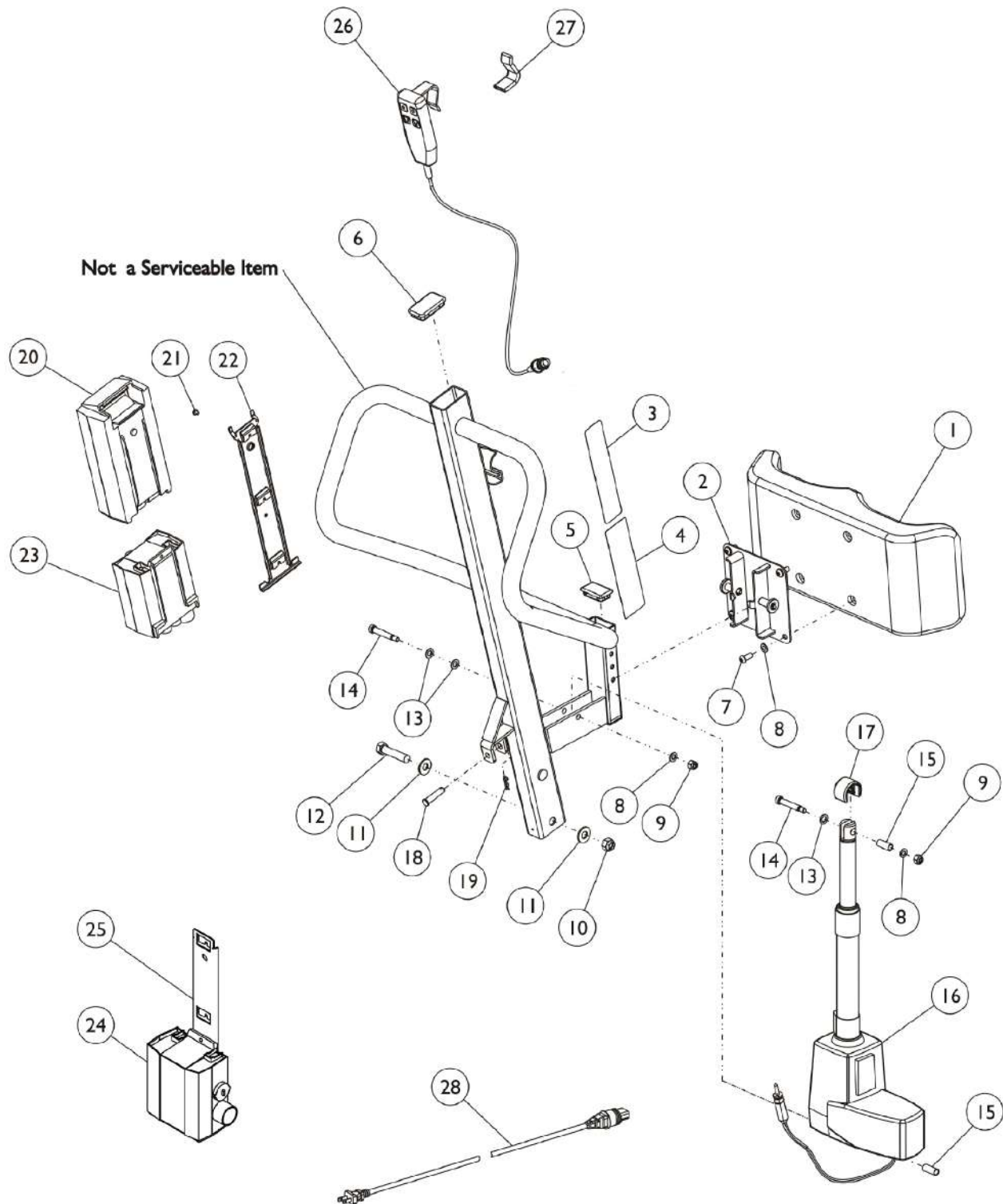
Mast Assembly - RPS350-2 (Before 7/2/10)

Item Number	Note	Part Number	Description	Quantity Per	
				Package	Assembly
1	C	See Note	See Footnote	1	1
2		1070803	Pad, Knee	1	1
3		1097071	Mounting, Pad	1	1
4		1073705-NLA	NLA - Decal, Reliant 350 Logo	1	2
5		1073699-NLA	NLA - Decal, Warning - Reliant 350	1	1
6		1065360	Cap, End, Black (1-1/4 x 2")	1	1
7		1071955	Screw, Socket Button Head (5/16-18 x 3/4")	1	4
8		1025704	Washer, Flat (5/16 x 5/8 x 1/16")	1	6
9		1064267	Locknut (5/16-18)	1	2
10		1078981	Locknut (1/2-13)	1	1
11		1068305	Washer (1/2")	1	2
12	D,F	51000M743	Pin, Hitch (3/8 x 1-3/16")	1	1
13	D,E	1142010	Pin, Clevis (10mm x 44mm)	1	1
14		1078979	Screw, Hex Head (1/2-13 x 2-1/4")	1	1
15		1065214	Washer, Flat (3/8 x 11/16 x 1/16")	1	4
16		1064455	Screw, Shoulder Hex Socket Head (3/8 x 1-3/4", 5/16-18)	1	2
17		1064443	Bushing (3/8 x 15/32 x 1-3/32")	1	2
18	B	1078974	Actuator Motor	1	1
19		1071833-NLA	NLA - Bracket, Drive, Grey - Lower	1	1
20		1071832-NLA	NLA - Bracket, Drive, Grey - Upper	1	1
21		1078276	Battery Pack, Linak	1	1
22		1078980	Screw, Phillips Pan Head (#10-24 x 1/4")	1	3
23		1078284	Bracket, Battery - Electric Only	1	1
24		1132050	Controller, Linak	1	1
25	H	1078274	Charger, Electric Only w/o Power Cord	1	1
26		1078306	Bracket, Wall Mount Charger	1	1
27	G	1132051	NLA - Pendant, Four Channel w/ Hook	1	1
27		1177605	Pendant, Four Channel w/ Hook	1	1
28		1079133	Cord, Power, USA	1	1
29		1161593	Package, Rubber Clip	10	1
30	A	1078982	Strap, Leg	1	1
	I	1079815	Kit, Charger - USA Only	1	1
21			Battery Pack, Linak	1	1
25			Charger, Electric Only w/o Power Cord	1	1
26			Bracket, Wall Mount Charger	1	1
28			Cord, Power, USA	1	1

Mast Assembly - RPS350-2 (Before 7/2/10)

NOTE: A - Not Shown.
B - As of 1-28-2010, the pull ring changed to a pull handle.
C - Item is no longer serviceable in the field.
D - Used to Attach Acuator Motor, Part # 1132028 to Mast. See category titled, "Base Assembly - RPS350-2", for Reference.
E - 1142010 is now available from The Aftermarket Group (TAG) under part number TAG1142010.
F - This item is also a component of Actuator Mounting Hardware Kit (1177625)
G - No Longer Available. See part #1177605 as a replacement.
H - Power Cord not included with Charger.
I - Includes items 21,25,26,28

Mast Assembly - RPS350-2 (After 7/1/10)



Mast Assembly - RPS350-2 (After 7/1/10)

Item Number	Note	Part Number	Description	Quantity Per	
				Package	Assembly
1		1070803	Pad, Knee	1	1
2		1097071	Mounting, Pad	1	1
3		1073705-NLA	NLA - Decal, Reliant 350 Logo	1	1
4		1073699-NLA	NLA - Decal, Warning - Reliant 350	1	1
5		1065360	Cap, End, Black (1-1/4 x 2")	1	1
6		1065361	Cap, End, Black (1-1/2 x 2-1/2")	1	1
7		1071955	Screw, Socket Button Head (5/16-18 x 3/4")	1	4
8		1025704	Washer, Flat (5/16 x 5/8 x 1/16")	1	6
9		1064267	Locknut (5/16-18)	1	2
10		1078981	Locknut (1/2-13)	1	1
11		1068305	Washer (1/2")	1	2
12		1078979	Screw, Hex Head (1/2-13 x 2-1/4")	1	1
13		1065214	Washer, Flat (3/8 x 11/16 x 1/16")	1	3
14		1064455	Screw, Shoulder Hex Socket Head (3/8 x 1-3/4", 5/16-18)	1	2
15		1064443	Bushing (3/8 x 15/32 x 1-3/32")	1	2
16	B	1156180	Actuator, Motor	1	1
17		1155357	Cap, Actuator	1	1
18	C,D	1142010	Pin, Clevis (10mm x 44mm)	1	1
19	C,E	51000M743	Pin, Hitch (3/8 x 1-3/16")	1	1
20		1078276	Battery Pack, Linak	1	1
21		1078980	Screw, Phillips Pan Head (#10-24 x 1/4")	1	3
22		1078284	Bracket, Battery - Electric Only	1	1
23		1132050	Controller, Linak	1	1
24	G	1078274	Charger, Electric Only w/o Power Cord	1	1
25		1078306	Bracket, Wall Mount Charger	1	1
26	F	1132051	NLA - Pendant, Four Channel w/ Hook	1	1
26		1177605	Pendant, Four Channel w/ Hook	1	1
27		1161593	Package, Rubber Clip	10	1
28		1079133	Cord, Power, USA	1	1
29	A	1078982	Strap, Leg	1	1
	H	1079815	Kit, Charger - USA Only	1	1
20			Battery Pack, Linak	1	1
24			Charger, Electric Only w/o Power Cord	1	1
25			Bracket, Wall Mount Charger	1	1
28			Cord, Power, USA	1	1

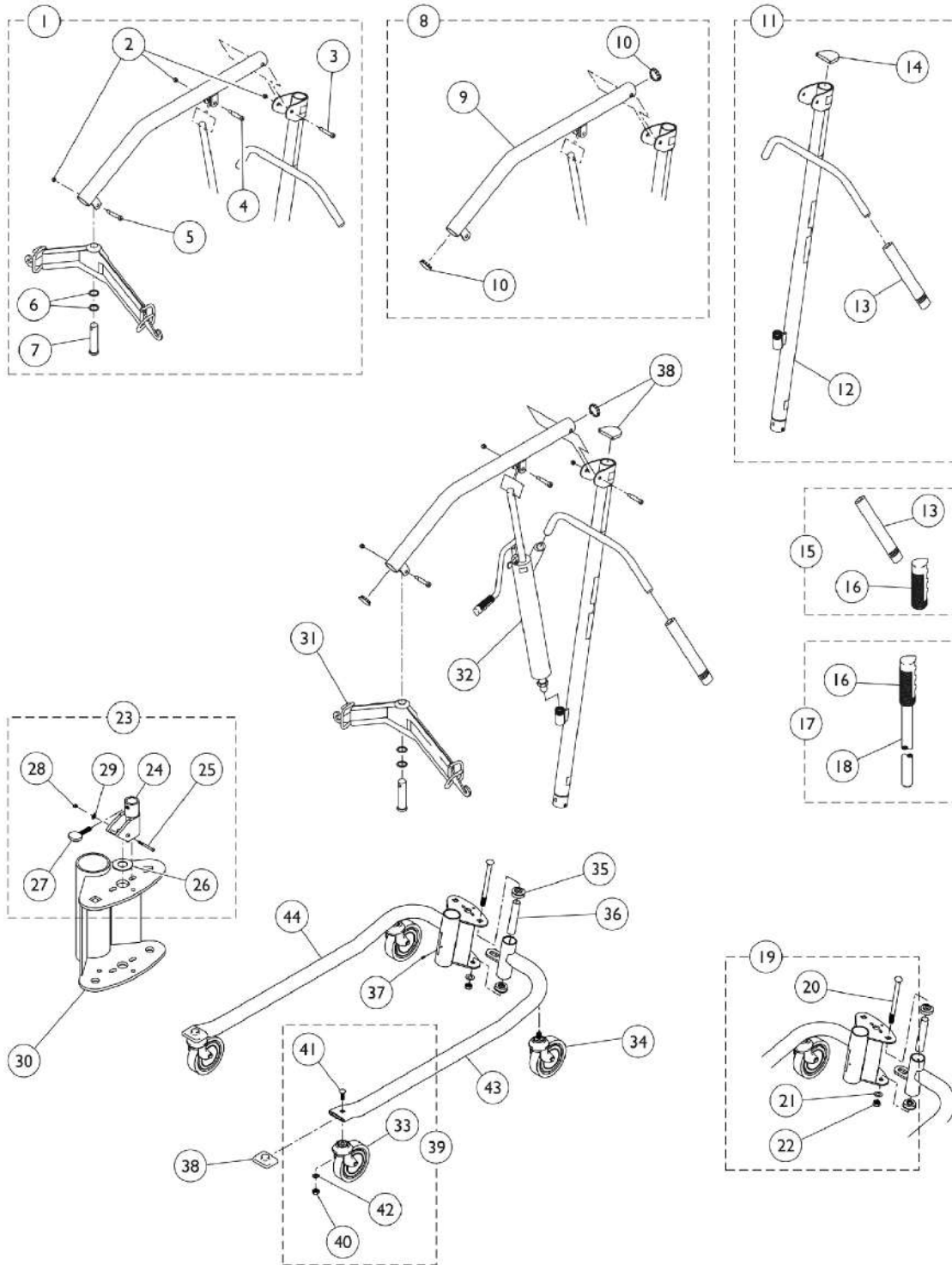
Mast Assembly - RPS350-2 (After 7/1/10)

NOTE: A - Not Shown.
B - This item is for all Lifts manufactured after 7/1/2010 only. Please check for serial number of lift before ordering. Part does not work on lifts manufactured before 7/1/2010.
C - Used to Attach Acuator Motor, Part # 1132028 to Mast. See category titled, "Base Assembly - RPS350-2", for Reference.
D - 1142010 is now available from The Aftermarket Group (TAG) under part number TAG1142010.
E - This item is also a component of Actuator Mounting Hardware Kit (1177625)
F - No Longer Available. See part #1177605 as a replacement.
G - Power Cord not included with Charger.
H - Includes items 20,25,24,28

Hydraulic Patient Lift - 9805

Includes 9800 Mast & 9884 Base

When using a RLS6 Scale on the 9805 Series Lift, a Reliant Hanger Bar Retrofit Kit is required. The correct Hanger Pin is included with the RLS6 Scale. The Reliant Style Hanger Bar may not be used on the 9805 Series Lifts WITHOUT the Scale. The Hanger Pin (1064339) used when the Scale is not attached will not fit the 9805 Series Lift.



Hydraulic Patient Lift - 9805

Includes 9800 Mast & 9884 Base

When using a RLS6 Scale on the 9805 Series Lift, a Reliant Hanger Bar Retrofit Kit is required. The correct Hanger Pin is included with the RLS6 Scale. The Reliant Style Hanger Bar may not be used on the 9805 Series Lifts WITHOUT the Scale. The Hanger Pin (1064339) used when the Scale is not attached will not fit the 9805 Series Lift.

Item Number	Note	Part Number	Description	Quantity Per	
				Package	Assembly
1	G	1123443	Kit, Hardware, Boom	1	1
2			NLA - Locknut (5/16-18)	3	1
3			Screw, Shoulder Hex Socket Head (3/8" x 2-1/4", 5/16-18)	1	1
4			Screw, Shoulder Hex Socket Head (3/8" x 1-1/2", 5/16-18)	1	1
5			NLA - Screw, Shoulder Hex Socket Head (3/8 x 1-1/4", 5/16-18)	1	1
6			Washer, Nylon (1-1/64 x 1-11/32 x 1/16")	2	1
7			Pin (1-1/4" x 4-1/4")	1	1
8		1123450	Kit, Boom	1	1
9			NLA - Boom, Chrome	1	1
10			NLA - Plug Button, Metal, Chrome (1-3/4")	2	1
11		1123451	Kit, Mast	1	1
12			Mast, Chrome	1	1
13			Grip, Hand - 9805	2	1
14			NLA - Cap, Mast	1	1
15		1123444	Kit, Handgrip	1	1
13			Grip, Hand - 9805	2	1
16			NLA - Grip, Handle - 9805	1	1
17	E,G	1123445	Kit, Shifter	1	1
16			NLA - Grip, Handle - 9805	1	1
18			Handle, Shifter, Chrome	1	1
19		1123448	Kit, Base Bolt	1	1
20			NLA - Bolt, Carriage (1/2-13 x 6-3/4")	1	1
21			NLA - Washer, Lock (1/2 x 7/8 x 1/32")	1	1
22			NLA - Nut (1/2-13)	1	1
23	G	1052250	Kit, Cam Lock	1	1
24			Lock, Cam, Chrome	1	1
25			NLA - Screw, Socket Button Head (1/4-20 x 1-7/16")	1	1
26			NLA - Bushing (5/8 x 1-1/8 x 5/16")	1	1
27			NLA - Screw, Thumb (1/4-20 x 1")	1	1
28			Locknut (1/4-20)	1	1
29			NLA - Washer, Flat (1/4 x 1/2 x 1/16")	1	1
			NLA - Instruction Sheet	1	1
30		90200X000-NLA	NLA - Socket - Chrome	1	1
31		1095642	Bar, Swivel with Pad, Chrome	1	1
32		9099-NLA	NLA - Pump	1	1
34	G	1123447	Kit, Caster, Rear (Pair)	1	1

Hydraulic Patient Lift - 9805

Includes 9800 Mast & 9884 Base

When using a RLS6 Scale on the 9805 Series Lift, a Reliant Hanger Bar Retrofit Kit is required. The correct Hanger Pin is included with the RLS6 Scale. The Reliant Style Hanger Bar may not be used on the 9805 Series Lifts WITHOUT the Scale. The Hanger Pin (1064339) used when the Scale is not attached will not fit the 9805 Series Lift.

Item Number	Note	Part Number	Description	Quantity Per	
				Package	Assembly
			Fork, Swivel	1	2
			Screw, Hex Head Cap w/ Patch (7/16-14 x 1-1/2")	1	2
			NLA - Washer, Lock (7/16 x 25/32 x 1/64")	1	2
			Wheel (5")	1	2
			Screw, Hex Head Cap (3/8-16 x 2-1/4")	1	2
			Locknut (3/8-16)	1	2
			Instruction Sheet, Installation	1	1
35		90068X000	Bearing, Flange	1	4
36		90071X000-NLA	NLA - Spacing, Bearing	1	2
37		60284X001	Screw, Socket Head (1/4-20 x 1/2")	1	1
38		1123442-NLA	NLA - Kit, Plugs and Caps	1	1
			NLA - Plug Button, Metal, Chrome (1-3/4")	2	1
			NLA - Cap, Mast	1	1
			Cap, End, Grey (2 x 2-1/2")	2	1
39	G	1123449	Kit, Caster, Swivel (Pair)	1	2
			Fork, Swivel	1	2
			Locknut (3/8-16)	1	2
			Screw, Hex Head Cap (3/8-16 x 2-1/4")	1	2
			Wheel (5")	1	2
			Bolt, Round Head Square Neck (7/16-14 x 1-1/2")	1	2
			Locknut (7/16-14)	1	2
			NLA - Washer, Lock (7/16 x 25/32 x 1/64")	1	2
			Instruction Sheet, Installation	1	1
39	A,F	1110421	Kit, Caster Assembly, Swivel w/ Brake (5") (Pair)	1	1
			Caster Assembly, Swivel w/ Brake (5")	1	2
			Bushing (15/32 x 1-1/16 x 9/32")	1	2
			Instruction Sheet	1	1
43	B	1024283	Leg, Chrome - Left	1	1
44	B	1024282	Leg, Chrome - Right	1	1
	A,G,I	1060539-NLA	NLA - Kit, Boom Retro Fit	1	1
			Pin (1-1/4" x 4-1/4")	1	1
			Bar, Swivel with Pad, Chrome	1	1
			Washer, Nylon (1-1/64 x 1-11/32 x 1/16")	1	2
			NLA - Plug Button, Metal, Chrome (1-3/4")	1	2
			NLA - Locknut (5/16-18)	1	3
			Screw, Shoulder Hex Socket Head (3/8" x 1-1/2", 5/16-18)	1	1
			NLA - Screw, Shoulder Hex Socket Head (3/8 x 1-1/4", 5/16-18)	1	1

Hydraulic Patient Lift - 9805

Includes 9800 Mast & 9884 Base

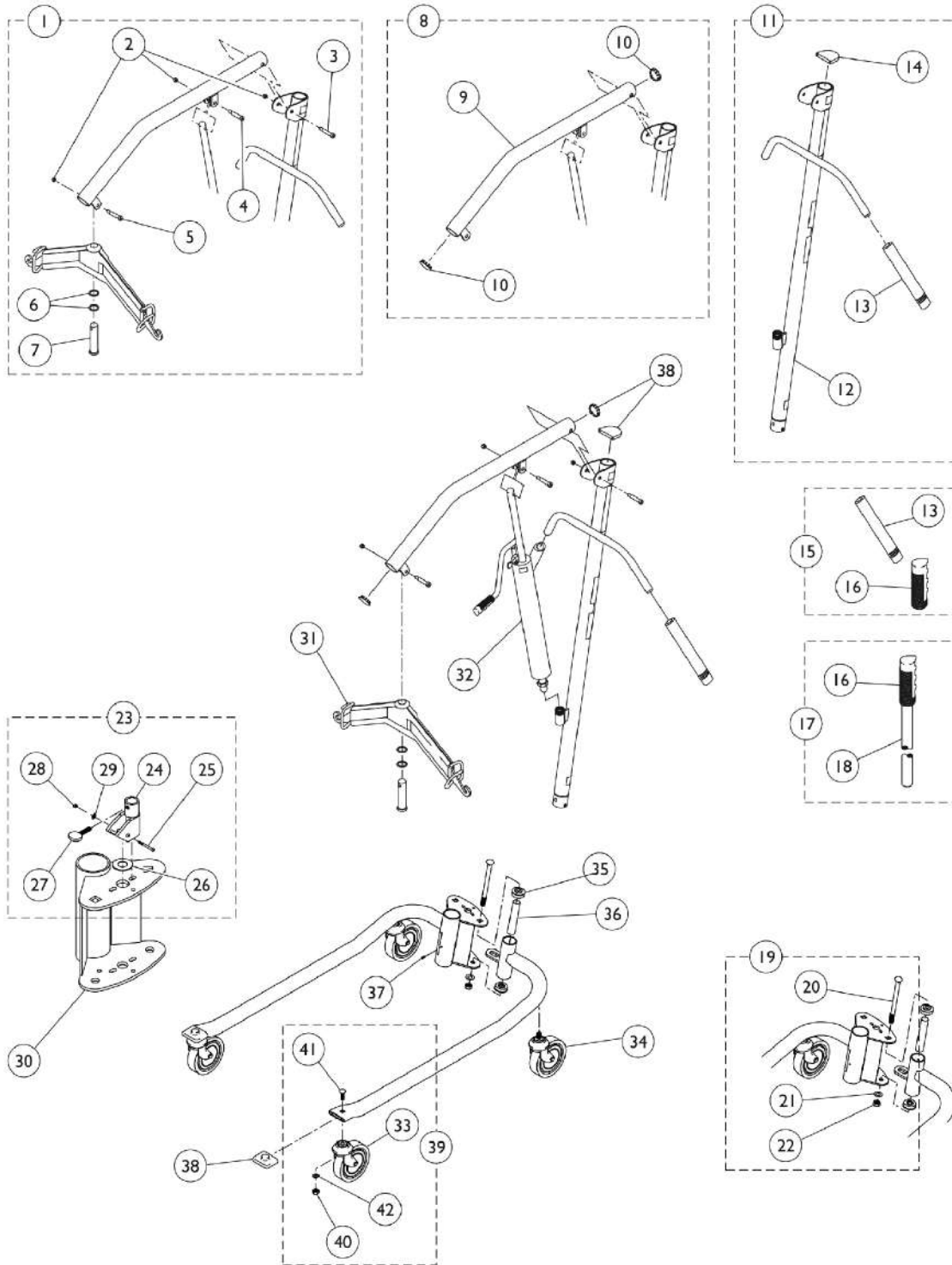
When using a RLS6 Scale on the 9805 Series Lift, a Reliant Hanger Bar Retrofit Kit is required. The correct Hanger Pin is included with the RLS6 Scale. The Reliant Style Hanger Bar may not be used on the 9805 Series Lifts WITHOUT the Scale. The Hanger Pin (1064339) used when the Scale is not attached will not fit the 9805 Series Lift.

Item Number	Note	Part Number	Description	Quantity Per	
				Package	Assembly
			Screw, Shoulder Hex Socket Head (3/8" x 2-1/4", 5/16-18)	1	1
			NLA - Boom, Chrome	1	1
			NLA - Instruction Sheet	1	1
	A,C,D	1143629	Kit, Hanger Bar w/ Latches - Retrofit	1	1
			Bar, Hanger	1	1
			Bar, Pad	1	1
	A	1110421	Kit, Caster Assembly, Swivel w/ Brake (5") (Pair)	1	1
			Caster Assembly, Swivel w/ Brake (5")	1	2
			Bushing (15/32 x 1-1/16 x 9/32")	1	2
			Instruction Sheet	1	1
	A	9884	Base Assembly Only, Adjustable, Chrome (For 9805 Hydraulic Lift)	1	1

NOTE: A - Not Shown.
 B - When determining the right side from the left side, you must stand in front of the operating controls and face the lift.
 C - When using the RLS6 Scale Kit with the 9805 Lift, Hanger Bar Kit Part Number 1143629 is also required.
 D - When using Hanger Bar Kit to retrofit with the 9805 lift, Part Number 1064339 is also required.
 E - The tubing diameter for the grip is 7/8 of an inch.
 F - For Illustration of locking casters, see category titled "Locking Casters - 9935". Bushings added 7/30/12 to provide clearance to rotate Casters freely.
 G - Sold Complete
 I - Part number 1060540 is no longer available from the Invacare Service Parts Department. Refer to the Invacare Website under "Product Literature Search". Enter the part number in the "Keywords" field and download a free PDF version copy.

Hydraulic Patient Lift - 9805P

When using a RLS6 Scale on the 9805 Series Lift, a Reliant Hanger Bar Retrofit Kit is required. The correct Hanger Pin is included with the RLS6 Scale. The Reliant Style Hanger Bar may not be used on the 9805 Series Lifts **WITHOUT** the Scale. The Hanger Pin (1064339) used when the Scale is not attached will not fit the 9805 Series Lift.



Hydraulic Patient Lift - 9805P

When using a RLS6 Scale on the 9805 Series Lift, a Reliant Hanger Bar Retrofit Kit is required. The correct Hanger Pin is included with the RLS6 Scale. The Reliant Style Hanger Bar may not be used on the 9805 Series Lifts WITHOUT the Scale. The Hanger Pin (1064339) used when the Scale is not attached will not fit the 9805 Series Lift.

Item Number	Note	Part Number	Description	Quantity Per	
				Package	Assembly
1	E	1123443	Kit, Hardware, Boom	1	1
2			NLA - Locknut (5/16-18)	3	1
3			Screw, Shoulder Hex Socket Head (3/8" x 2-1/4", 5/16-18)	1	1
4			Screw, Shoulder Hex Socket Head (3/8" x 1-1/2", 5/16-18)	1	1
5			NLA - Screw, Shoulder Hex Socket Head (3/8 x 1-1/4", 5/16-18)	1	1
6			Washer, Nylon (1-1/64 x 1-11/32 x 1/16")	2	1
7			Pin (1-1/4" x 4-1/4")	1	1
8		1140728	Kit, Boom - 9805P	1	1
9			Bar, Boom - 9805P	1	1
10			Button - 9805P (1-3/4")	2	1
11		1140729	Kit, Mast - 9805P	1	1
12			Mast - 9805P	1	1
13			Grip, Hand - 9805	2	1
14			Cap, Mast	1	1
15		1123444	Kit, Handgrip	1	1
13			Grip, Hand - 9805	2	1
16			NLA - Grip, Handle - 9805	1	1
17		1140730	Kit, Shifter	1	1
16			NLA - Grip, Handle - 9805	1	1
18			Handle, Shifter - 9805	1	1
19	E,F	1123448	Kit, Base Bolt	1	1
20			NLA - Bolt, Carriage (1/2-13 x 6-3/4")	1	1
21			NLA - Washer, Lock (1/2 x 7/8 x 1/32")	1	1
22			NLA - Nut (1/2-13)	1	1
23	E	1140731	Kit, Camlock w/ Hardware	1	1
24			Cam, Lock	1	1
25			NLA - Screw, Socket Button Head (1/4-20 x 1-7/16")	1	1
26			NLA - Bushing (5/8 x 1-1/8 x 5/16")	1	1
27			NLA - Screw, Thumb (1/4-20 x 1")	1	1
28			Locknut (1/4-20)	1	1
29			NLA - Washer, Flat (1/4 x 1/2 x 1/16")	1	1
			NLA - Instruction Sheet	1	1
30		1140721-NLA	NLA - Socket - Beige	1	1
31	A	1140717	Bar, Hanger - 9805P	1	1
32		9099P	Pump, Hydraulic	1	1
34	H	1123447	Kit, Caster, Rear (Pair)	1	2
			Fork, Swivel	1	2
			Screw, Hex Head Cap w/ Patch (7/16-14 x 1-1/2")	1	2

Hydraulic Patient Lift - 9805P

When using a RLS6 Scale on the 9805 Series Lift, a Reliant Hanger Bar Retrofit Kit is required. The correct Hanger Pin is included with the RLS6 Scale. The Reliant Style Hanger Bar may not be used on the 9805 Series Lifts WITHOUT the Scale. The Hanger Pin (1064339) used when the Scale is not attached will not fit the 9805 Series Lift.

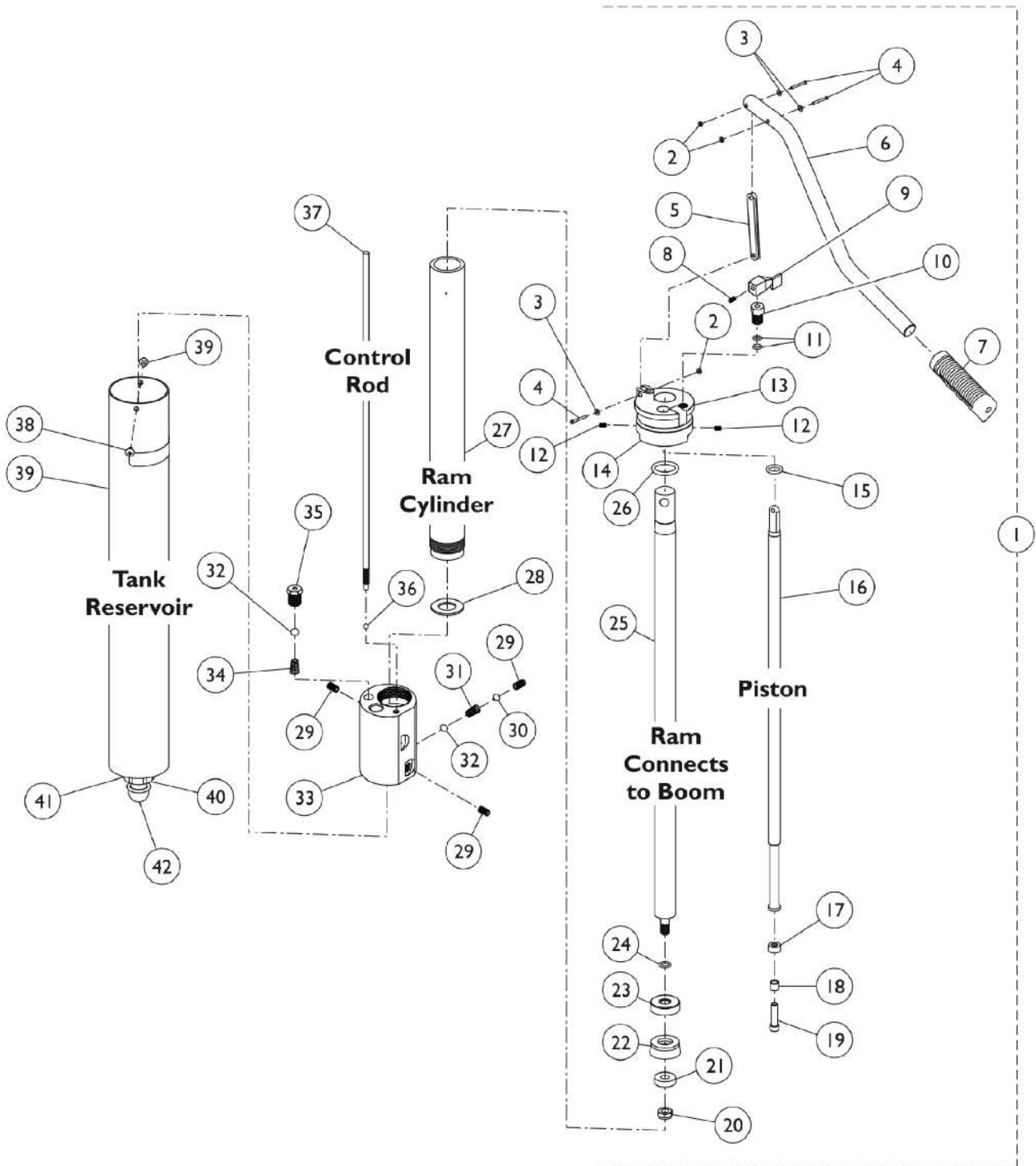
Item Number	Note	Part Number	Description	Quantity Per				
				Package	Assembly			
35		90068X000	NLA - Washer, Lock (7/16 x 25/32 x 1/64")	1	2			
			Wheel (5")	1	2			
			Screw, Hex Head Cap (3/8-16 x 2-1/4")	1	2			
			Locknut (3/8-16)	1	2			
			Instruction Sheet, Installation	1	1			
			Bearing, Flange	1	1			
			36		90071X000-NLA	NLA - Spacing, Bearing	1	1
						Screw, Socket Head (1/4-20 x 1/2")	1	1
			37		60284X001	NLA - Kit, Plugs and Caps	1	1
						NLA - Plug Button, Metal, Chrome (1-3/4")	2	1
38		1123442-NLA	NLA - Cap, Mast	1	1			
			Cap, End, Grey (2 x 2-1/2")	2	1			
39		1123449	Kit, Caster, Swivel (Pair)	1	1			
			Fork, Swivel	1	2			
			Locknut (3/8-16)	1	2			
			Screw, Hex Head Cap (3/8-16 x 2-1/4")	1	2			
			Wheel (5")	1	2			
			Bolt, Round Head Square Neck (7/16-14 x 1-1/2")	1	2			
			Locknut (7/16-14)	1	2			
			NLA - Washer, Lock (7/16 x 25/32 x 1/64")	1	2			
			Instruction Sheet, Installation	1	1			
			39	B,G	1110421	Kit, Caster Assembly, Swivel w/ Brake (5") (Pair)	1	1
Caster Assembly, Swivel w/ Brake (5")	1	2						
Bushing (15/32 x 1-1/16 x 9/32")	1	2						
Instruction Sheet	1	1						
Kit, Hanger Bar w/ Latches - Retrofit	1	1						
B,C,D	1143629	Bar, Hanger		1	1			
		Bar, Pad		1	1			
		Kit, Caster Assembly, Swivel w/ Brake (5") (Pair)		1	1			
B	1110421	Caster Assembly, Swivel w/ Brake (5")		1	2			
		Bushing (15/32 x 1-1/16 x 9/32")		1	2			
		Instruction Sheet	1	1				
B		9884P	Base Assembly Only, Adjustable, Painted (For 9805P Hydraulic Lift)	1	1			

Hydraulic Patient Lift - 9805P

When using a RLS6 Scale on the 9805 Series Lift, a Reliant Hanger Bar Retrofit Kit is required. The correct Hanger Pin is included with the RLS6 Scale. The Reliant Style Hanger Bar may not be used on the 9805 Series Lifts WITHOUT the Scale. The Hanger Pin (1064339) used when the Scale is not attached will not fit the 9805 Series Lift.

NOTE: A - When determining the right side from left side for this product, you must stand in front of the operating controls and face the lift.
B - Not Shown.
C - When using the RLS6 Scale Kit with the 9805 Series Lift, Hanger Bar Kit Part Number 1143629 is required.
D - When using the Hanger Bar Kit to retrofit with the 9805 Series Lift, Part Number 1064339 is required.
E - Parts marked "NLA" within this Kit are not available for individual sale. The complete kit must be ordered to receive all individual parts listed.
F - Includes items 20 - 22.
G - For Illustration of locking casters, see category titled "Locking Casters - 9935". Bushings added 7/30/12 to provide clearance to rotate Casters freely.
H - Sold complete.

Hydraulic Pump Model - 9099 and 9099P



Hydraulic Pump Model - 9099 and 9099P

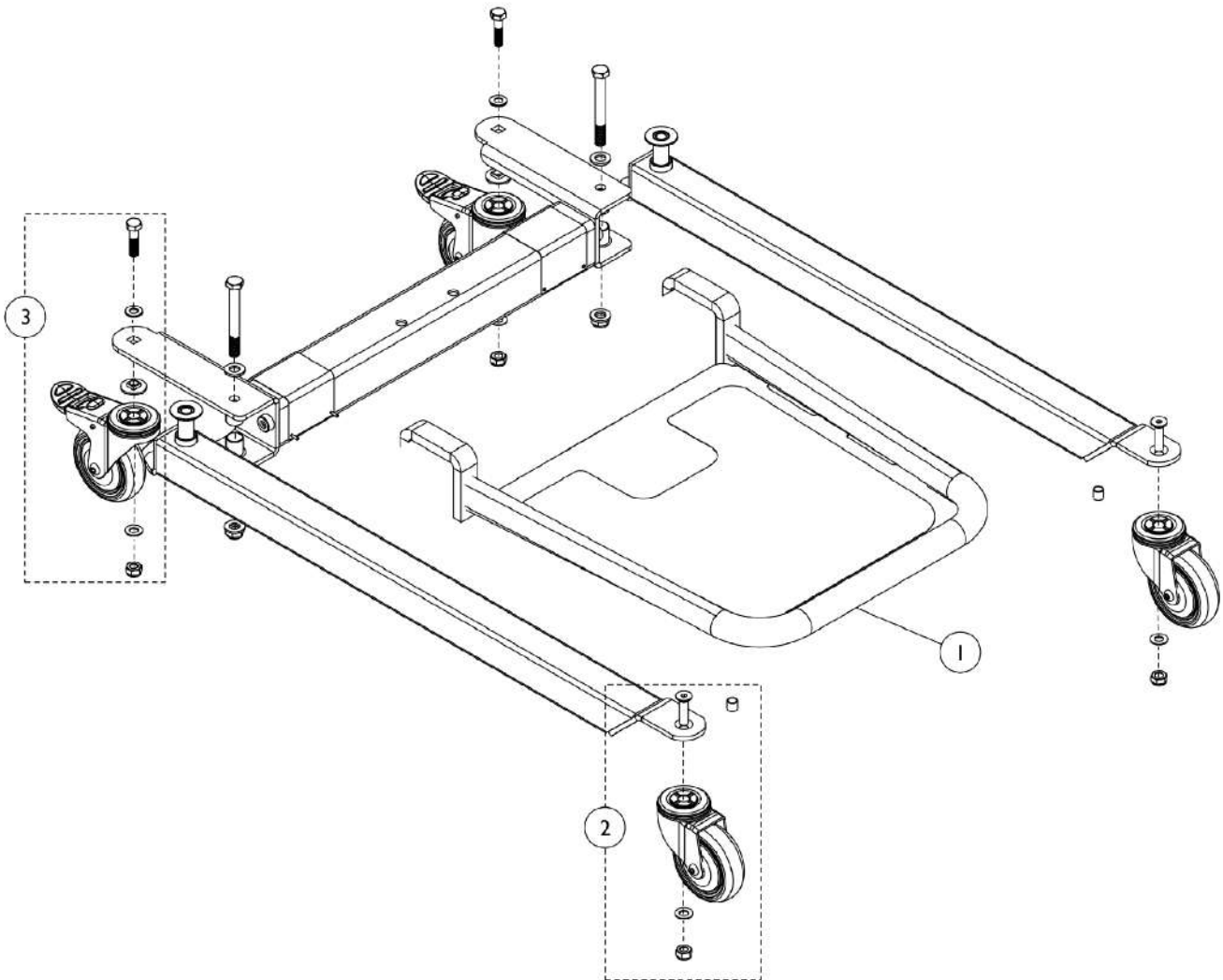
Item Number	Note	Part Number	Description	Quantity Per	
				Package	Assembly
1	A	9099-NLA	NLA - Pump	1	1
1	A	9099P	Pump, Hydraulic	1	1
1	A	9099E-NLA	NLA - Pump, Reconditioned, Chrome	1	1
1	A	9099R-NLA	NLA - Pump, Hydraulic	1	1
1	A	9099RE-NLA	NLA - Pump, Reconditioned, Reliant, Isolet Grey	1	1
	B,D	1011941-NLA	NLA - Kit, Pump Handle Hardware Upgrade	1	1
2			Nut, Hex (#6-32)	1	3
3			Washer, Flat (11/64 x 3/8 x 1/32")	1	3
4			T-Bolt, Threaded End (6-32 x 25/32)	1	3
			Instruction Sheet	1	1
5		90013X000-NLA	NLA - Link	1	1
6		90012X000-NLA	NLA - Handle, Pump, Chrome	1	1
7		90007X000	NLA - Grip, Handle - 9805	1	1
7		1065926-NLA	NLA - Grip, Hand, Black	1	1
8		60284X007	Screw, Socket Set Flat Point (1/4-20 x 3/8")	1	1
9		90015X000-NLA	NLA - Handle, Control, Chrome	1	1
10	C	See Note	See Footnote	1	1
11	C	See Note	See Footnote	1	2
12		90032X000	Screw, Set Socket Cup Point (#8-32 x 1/4")	1	2
13	C	See Note	See Footnote	1	1
14		90024X000-NLA	NLA - O-Ring, Tank (2-7/64 x 2-3/8 x 1/8")	1	1
15		90023X000-NLA	NLA - O-Ring, Piston (1/2 x 11/16 x 7/64")	1	1
16		90033X000-NLA	NLA - Piston	1	1
17		90034X000-NLA	NLA - Cup, Piston	1	1
18	C	See Note	See Footnote	1	1
19		90036X000-NLA	NLA - Screw, Allen Head (1/4-28 x 1")	1	1
20		40363X000	Hex Nut (3/8"-16)	1	1
21		90028X000-NLA	NLA - Washer, Inside Ram (3/8" x 57/64" x 1/4")	1	1
22		90026X000-NLA	NLA - Cup, Ram	1	1
23		90029X001-NLA	NLA - Washer, Outside Ram (3/8" x 1-1/4" x 11/32")	1	1
24	C	See Note	See Footnote	1	1
25		90052X000-NLA	NLA - Ram	1	1
26		90022X000-NLA	NLA - O-Ring, Ram (7/8 x 1-1/8 x 1/8")	1	1
27		90031X000-NLA	NLA - Cylinder, Ram	1	1
28		90135X000-NLA	NLA - Washer, Nylon (3/4" x 1/34/65" x 1/16")	1	1
29		90043X000	NLA - Plug, Pressure (1/8")	1	3
30		90053X000	NLA - Tube, Bonnet	1	1
31		90045X000-NLA	NLA - Spring, Helical Compression	1	1
32		90040X000	NLA - Ball, Steel (5/16")	1	2
33		90037X000-NLA	NLA - Body, Pump	1	1
34		90041X000	NLA - Spring, Helical Compression	1	1
35		90039X000-NLA	NLA - Inlet Fitting	1	1
36		90042X000-NLA	NLA - Ball, Steel (3/16")	1	1

Hydraulic Pump Model - 9099 and 9099P

Item Number	Note	Part Number	Description	Quantity Per	
				Package	Assembly
37	C	See Note	See Footnote	1	1
38		90017X000-NLA	NLA - Screw, Phillips Pan Head (#10-32 x 5/16")	1	2
39		90008X000-NLA	NLA - Reservoir, Tank - Chrome	1	1
39		1065927-NLA	NLA - Reservoir, Tank, Isolet Grey	1	1
40		90009X000-NLA	NLA - Nut, EMT (1-1/8-18 x 5/16")	1	1
41		90011X000-NLA	NLA - Screw, 9099 Pump Only (#8-32 x 1/8")	1	1
42		91100X238-NLA	NLA - Ring, Retaining	1	1
	D	90046X000	NLA - Oil, Hydraulic (16 oz)	1	1
NOTE: A - Includes items 2 - 41. B - Kit Includes Items 2, 3, and 4 and Instruction Sheet C - Items is no longer serviceable in the field. D - Not shown.					

Base Assembly

RPS440 Power Stand-Up Lift

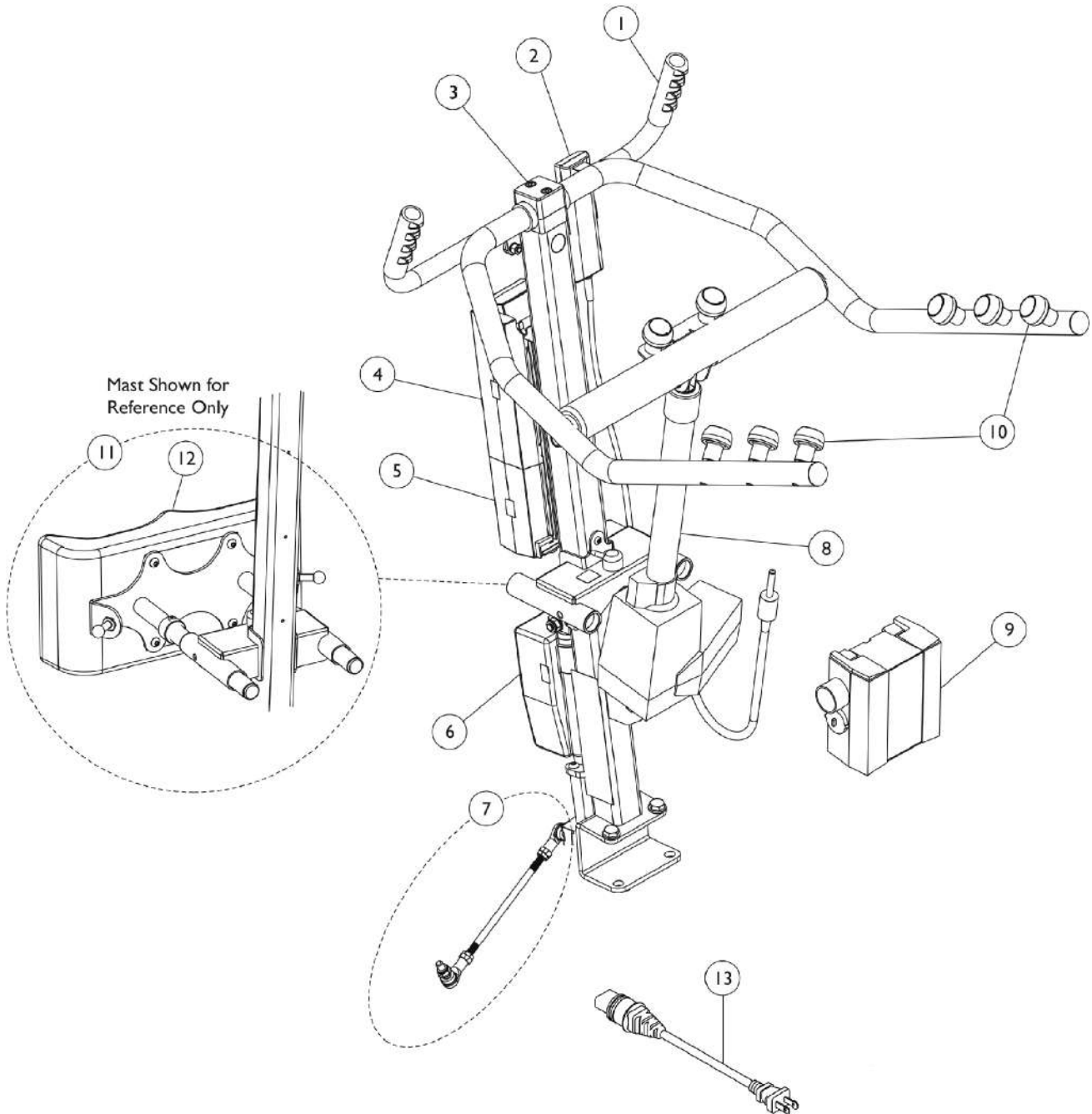


Base Assembly RPS440 Power Stand-Up Lift

Item Number	Note	Part Number	Description	Quantity Per	
				Package	Assembly
1		1143814-NLA	NLA - Footplate, Removable	1	1
2	A	1143812-NLA	NLA - Kit, Front Caster with Hardware	1	2
3	B	1143813-NLA	NLA - Kit, Rear Caster with Hardware	1	2
NOTE: A - Includes (1) Caster, (1) Screw, (1) Washer, (1) Spacer and (1) Nut. B - Includes (1) Caster with Brake, (1) Bolt, (1) Bushing, (2) Washers and (1) Nut.					

Mast Assembly

RPS440 Power Stand-Up Lift

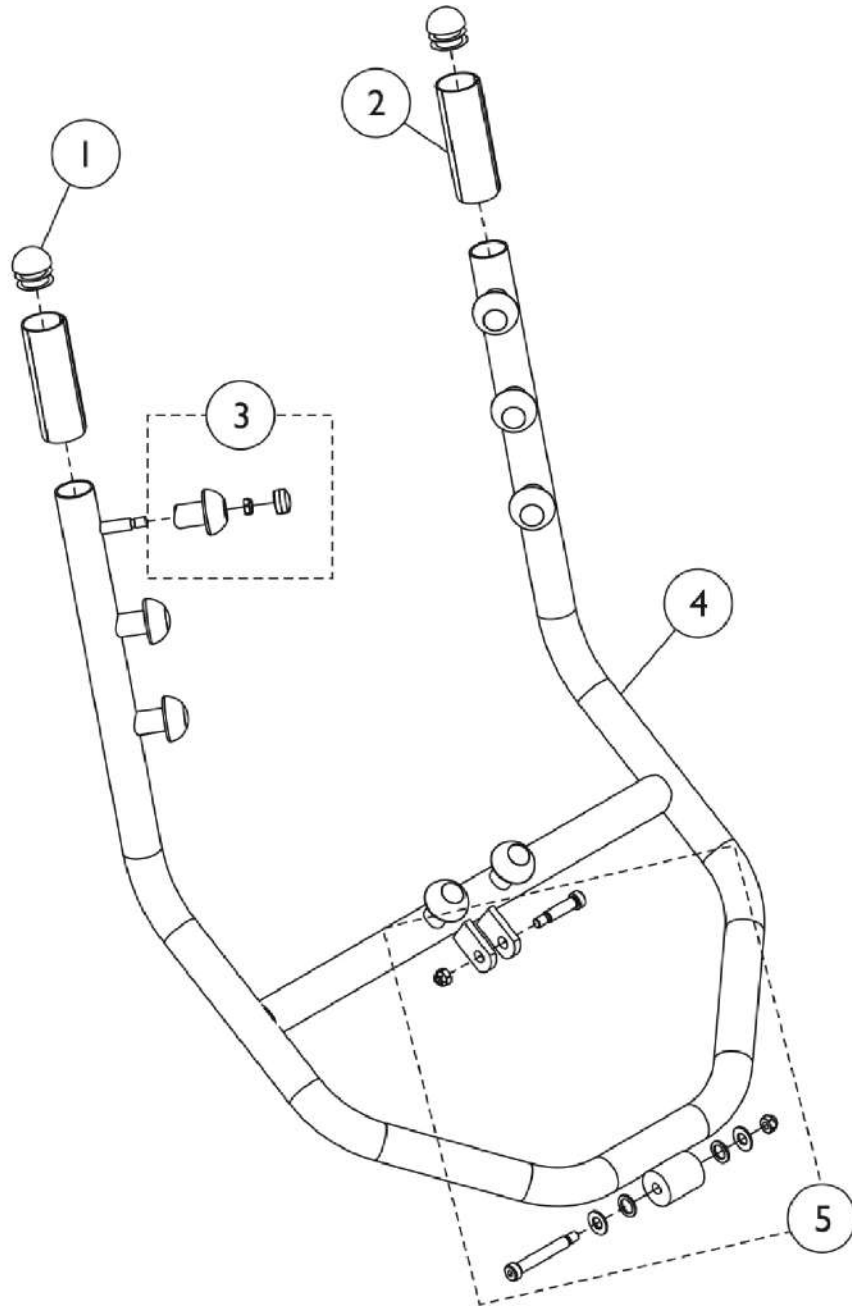


Mast Assembly RPS440 Power Stand-Up Lift

Item Number	Note	Part Number	Description	Quantity Per	
				Package	Assembly
1		1143818-NLA	NLA - Kit, Hand Grip	1	1
2	E	1132051-NLA	NLA - Pendant, Four Channel w/ Hook	1	1
2		1177605	Pendant, Four Channel w/ Hook	1	1
3		1165873-NLA	NLA - Block, Bearing w/ Hardware	1	1
4		1078276	Battery Pack, Linak	1	1
5		1143817-NLA	NLA - Control Box	1	1
6		1143815-NLA	NLA - Actuator, Leg Spreader	1	1
7		1143819-NLA	NLA - Kit, Link Adjuster	1	1
8		1143816-NLA	NLA - Actuator, Espline 300 Stroke	1	1
9	F	1078274	Charger, Electric Only w/o Power Cord	1	1
10	A	1143811-NLA	NLA - Kit, Sling Knobs with Hardware	1	1
11	B,D	1144543-NLA	NLA - Kit, Knee Pad with Release Mechanism	1	1
12	C	1146393-NLA	NLA - Pad, Knee	1	1
13		1079133	Cord, Power, USA	1	1

NOTE: A - Includes (8) Washers, (8) Nyloc Nuts, (2) Bolts, (8) Caps and (8) Knobs.
 B - Includes Knee Pad Assembly and Release Mechanism.
 C - Includes Pad Only.
 D - A Leg Strap that can attach to the Knee Pad Assembly and Release Mechanism is a non-serviceable part.
 E - No Longer Available. See part #1177605 as a replacement.
 F - Power Cord not included with Charger.

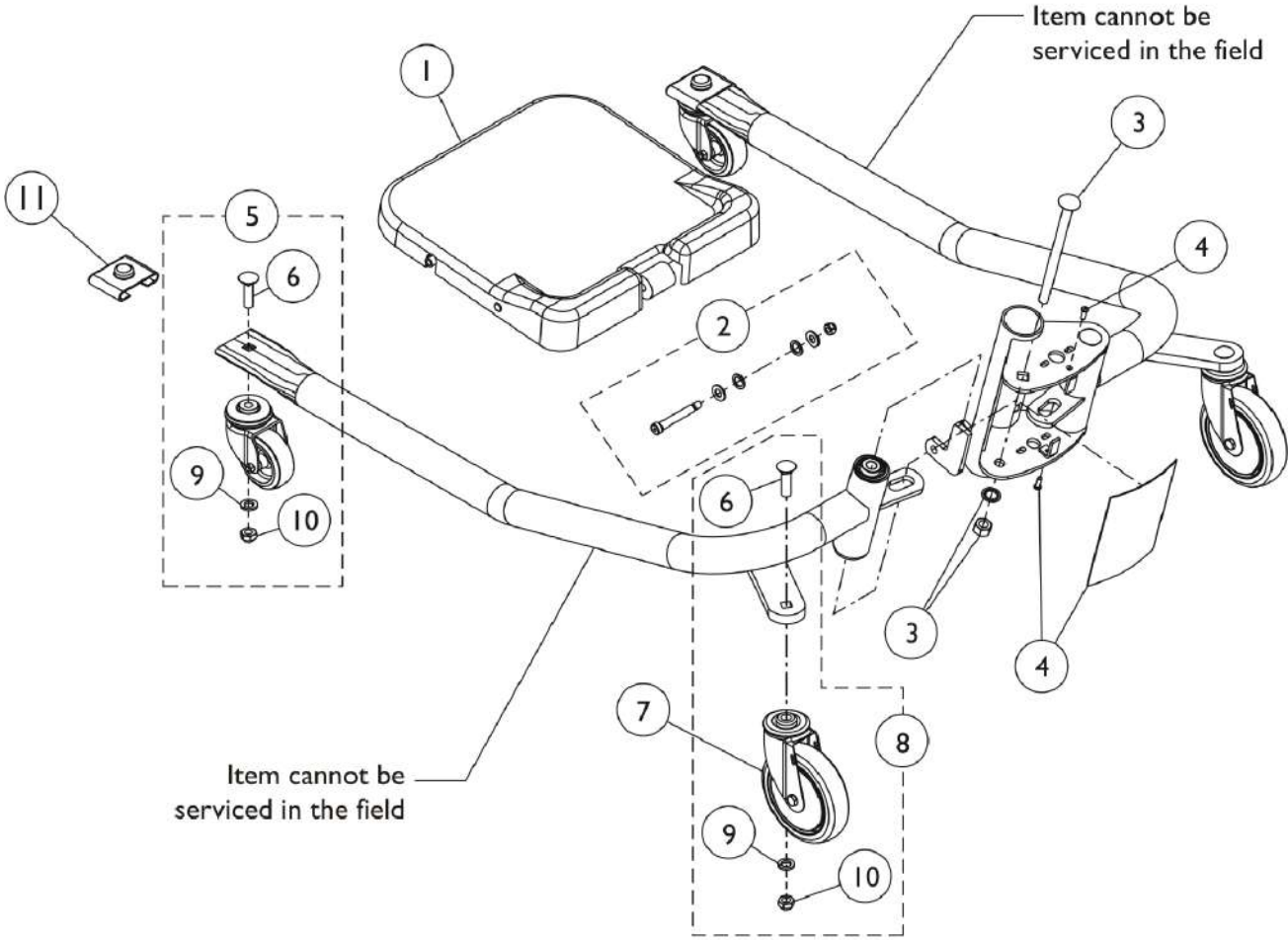
Arm & Horn Assembly - Get-U-Up - GHS350



Arm & Horn Assembly - Get-U-Up - GHS350

Item Number	Note	Part Number	Description	Quantity Per	
				Package	Assembly
1		1071249	Plug Button, Dome, Black (1-1/4")	1	2
2		1076388	Pad, Grip	1	2
3		1152592	Kit, Sling Knobs with Hardware	1	1
			Knob, Hook, Black	1	8
			Cap, Hook	1	8
			Locknut (5/16-18)	1	8
4		1148202	Horn	1	1
5	A	1152594	Kit, Boom Hardware	1	1
			NLA - Screw, Shoulder Hex Socket Head (3/8 x 1-1/4", 5/16-18)	1	1
			NLA - Locknut (5/16-18)	1	3
			Screw, Shoulder Hex Socket Head (3/8" x 2-1/4", 5/16-18)	1	2
			Washer, Nylon (3/4 x 1/2 x 1/16")	1	4
			NLA - Washer (3/8 x 13/16 x 1/16")	1	4
NOTE: A - One Shoulder Screw (3/8 x 2 1/4, 5/16-18) is used to mount the footplate to the base. See category titled, "Base Assembly - Get-U-Up - GHS350".					

Base Assembly - Get-U-Up - GHS350

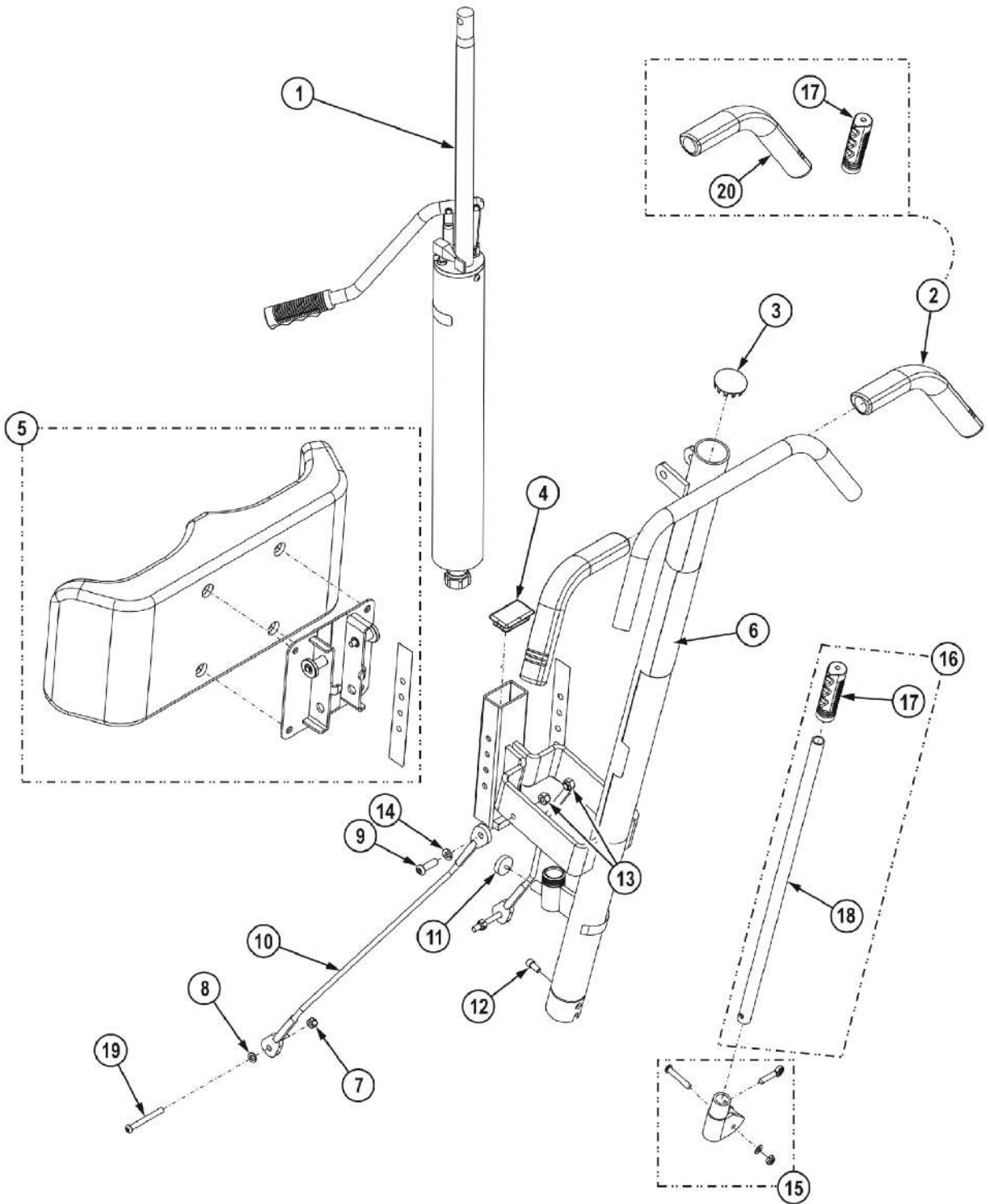


Base Assembly - Get-U-Up - GHS350

Item Number	Note	Part Number	Description	Quantity Per	
				Package	Assembly
1		1148212	Footplate Assembly, Beige	1	1
2	A	1152594	Kit, Boom Hardware	1	1
			NLA - Screw, Shoulder Hex Socket Head (3/8 x 1-1/4", 5/16-18)	1	1
			NLA - Locknut (5/16-18)	1	3
			Screw, Shoulder Hex Socket Head (3/8" x 2-1/4", 5/16-18)	1	2
			Washer, Nylon (3/4 x 1/2 x 1/16")	1	4
			NLA - Washer (3/8 x 13/16 x 1/16")	1	4
3		1123448	Kit, Base Bolt	1	1
			NLA - Washer, Lock (1/2 x 7/8 x 1/32")	1	1
			NLA - Nut (1/2-13)	1	1
			NLA - Bolt, Carriage (1/2-13 x 6-3/4")	1	1
4		1152596-NLA	NLA - Kit, Plate Cover with Screws	1	1
			Cover, Plate	1	1
			Screw (#8-18 x 5/8")	1	2
5		1152591	Kit, 3" Caster with Hardware	1	1
			Caster Assembly, Swivel (3")	1	1
			NLA - Bolt, Carriage (7/16-14 x 1-3/4")	1	1
			NLA - Washer, Lock (7/16 x 25/32 x 1/64")	1	1
			NLA - Locknut (7/16-14)	1	1
6		1026474-NLA	NLA - Bolt, Carriage (7/16-14 x 1-3/4")	1	4
7	B	1123536-NLA	NLA - Caster Assembly, Swivel (5")	1	2
8		1123449	Kit, Caster, Swivel (Pair)	1	1
			Fork, Swivel	1	2
			Locknut (3/8-16)	1	2
			Screw, Hex Head Cap (3/8-16 x 2-1/4")	1	2
			Wheel (5")	1	2
			Bolt, Round Head Square Neck (7/16-14 x 1-1/2")	1	2
			Locknut (7/16-14)	1	2
			NLA - Washer, Lock (7/16 x 25/32 x 1/64")	1	2
			Instruction Sheet, Installation	1	1
9		1014808-NLA	NLA - Washer, Lock (7/16 x 25/32 x 1/64")	1	4
10		1024297-NLA	NLA - Locknut (7/16-14)	1	4
11	C	1123442-NLA	NLA - Kit, Plugs and Caps	1	1
			NLA - Plug Button, Metal, Chrome (1-3/4")	2	1
			NLA - Cap, Mast	1	1
			Cap, End, Grey (2 x 2-1/2")	2	1

NOTE: A - The Shoulder Screw (3/8 x 1 1/4, 5/16-18) that is included in this kit is used for the Arm and Horn Assembly. See category titled, "Arm & Horn Assembly - Get-U-Up - GHS350". Use (1) Shoulder Screw (3/8-14 x 2 1/4) to mount the footplate.
 B - No longer available. See 1123449 for replacement.
 C - Includes (2) Plug Buttons, (2) leg end caps and (1) Mast Cap. See category titled, "Mast Assembly - Get - U - Up - GHS350" for Plug Button. Single mast cap not used on this model and may be discarded.

Mast Assembly - Get-U-Up - GHS350



Mast Assembly - Get-U-Up - GHS350

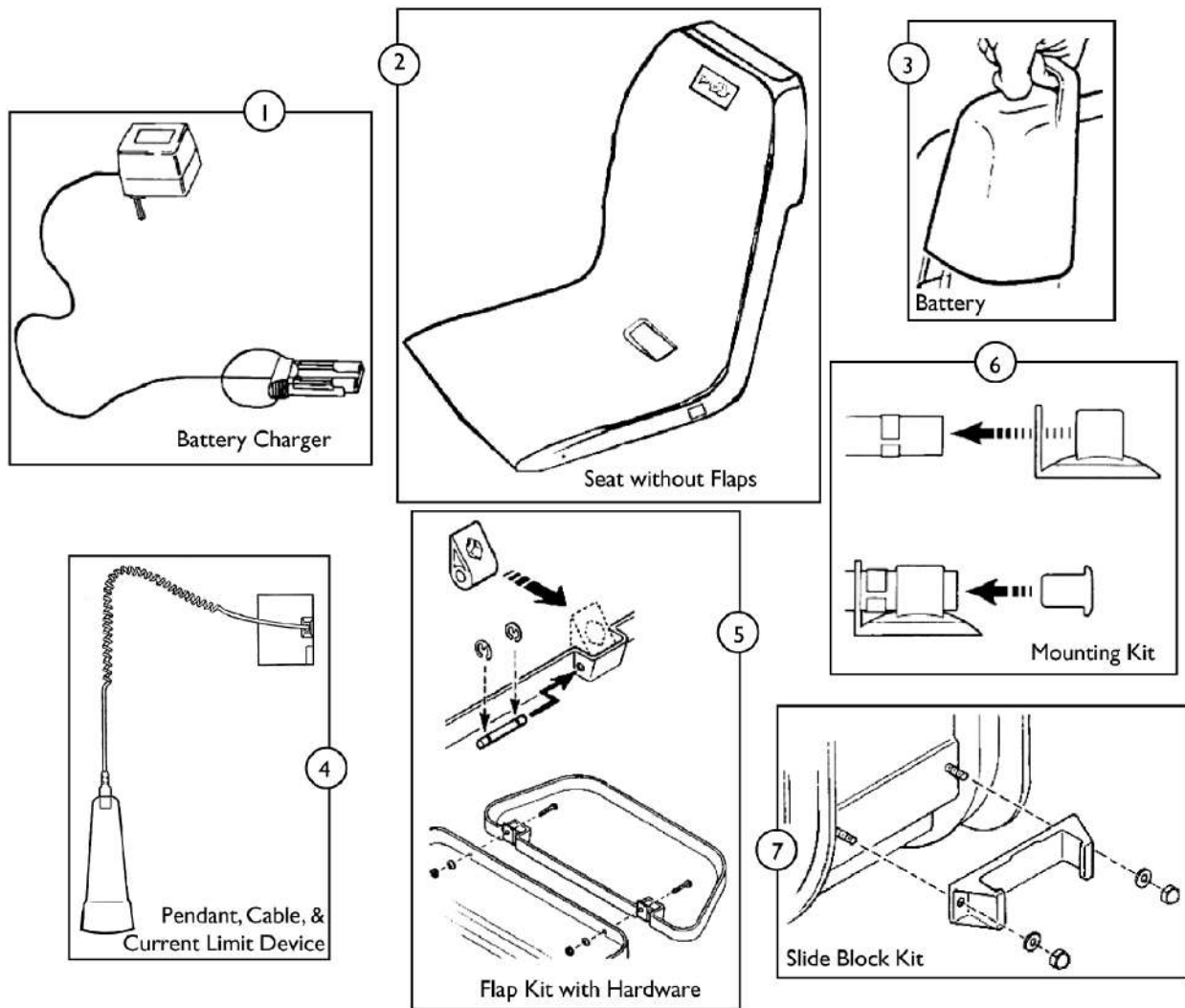
Item Number	Note	Part Number	Description	Quantity Per	
				Package	Assembly
1		9099P	Pump, Hydraulic	1	1
2	A	1123444	Kit, Handgrip	1	1
17			NLA - Grip, Handle - 9805	1	1
20			Grip, Hand - 9805	2	1
3	B	1123442-NLA	NLA - Kit, Plugs and Caps	1	1
			NLA - Plug Button, Metal, Chrome (1-3/4")	1	2
			NLA - Cap, Mast	1	1
			Cap, End, Grey (2 x 2-1/2")	1	2
4		1065360	Cap, End, Black (1-1/4 x 2")	1	1
5		1152593	Kit, Knee Pad with Mounting Assembly	1	1
			Mounting Assembly	1	1
			Pad, Knee	1	1
			Tape	1	2
6		1152595	Kit, Mast	1	1
			Mast	1	1
			Decal, Warning	1	1
			Label, Lift Patient Operation	1	1
			Decal, Get-U-Up	1	1
7		0054906	Locknut, High Profile (5/16-18)	1	2
8		1072692-NLA	NLA - Lockwasher, Split (5/16")	1	2
9		1163423	Screw, Socket Button Head (5/16-18 x 1")	1	2
10		1148210	Cable, Eyelet	1	2
11		1148213	Stopper, Rubber	1	1
12		60284X001	Screw, Socket Head (1/4-20 x 1/2")	1	1
13		0054906	Locknut, High Profile (5/16-18)	1	2
14		1072692-NLA	NLA - Lockwasher, Split (5/16")	1	2
15	C	1140731	Kit, Camlock w/ Hardware	1	1
			Cam, Lock	1	1
			NLA - Bushing (5/8 x 1-1/8 x 5/16")	1	1
			NLA - Screw, Socket Button Head (1/4-20 x 1-7/16")	1	1
			NLA - Washer, Flat (1/4 x 1/2 x 1/16")	1	1
			Locknut (1/4-20)	1	1
			NLA - Screw, Thumb (1/4-20 x 1")	1	1
			NLA - Instruction Sheet	1	1
16		1140730	Kit, Shifter	1	1
17			NLA - Grip, Handle - 9805	1	1
18			Handle, Shifter - 9805	1	1
19		1036840	Screw, Socket Button Head (1/4-20X2-1/4")	1	2
	D	10369X000-NLA	NLA - Wrench, Allen (3/16")	1	1

Mast Assembly - Get-U-Up - GHS350

NOTE: A - Kit includes item 17 and 20.
B - Includes (2) Plug Buttons, (2) leg end caps and (1) Mast Cap. See category titled, "Base Assembly - Get - U - Up - GHS350" for Leg end caps. Only (1) Plug Button is used for this model. Single mast cap not used on this model and may be discarded.
C - Parts marked "NLA" within this Kit are not available for individual sale. The complete kit must be ordered to receive all individual parts listed.
D - Not Shown.

Reliant Bath Lift

Model - RBL250 (Discontinued 9/15/00)



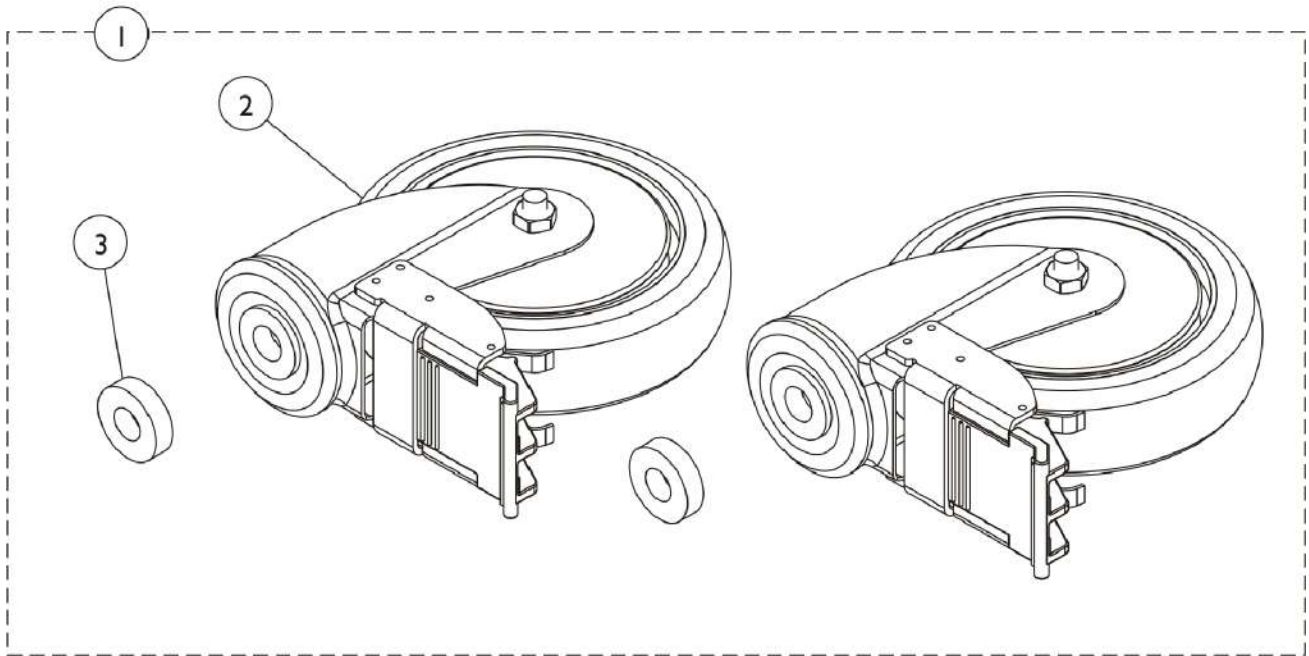
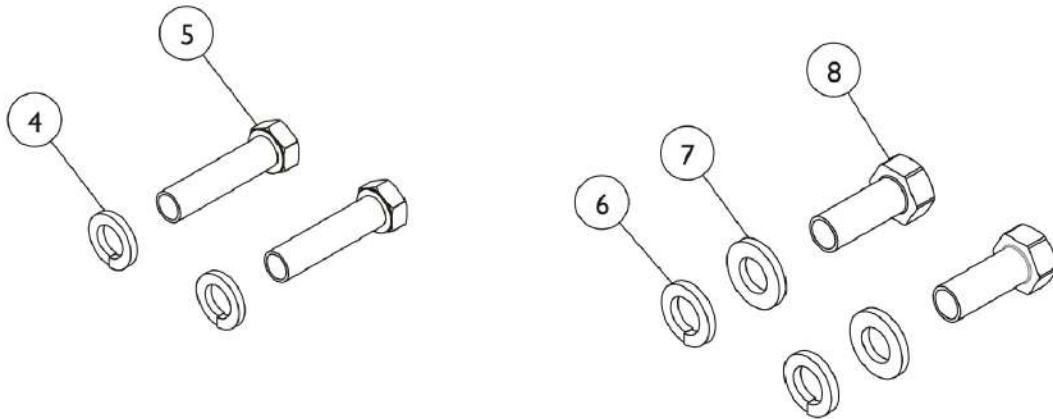
Reliant Bath Lift

Model - RBL250 (Discontinued 9/15/00)

Item Number	Note	Part Number	Description	Quantity Per	
				Package	Assembly
1		1085139-NLA	NLA - Charger, Battery	1	1
2		1085141-NLA	NLA - Seat (without Flaps)	1	1
3		1085142-NLA	NLA - Battery	1	1
4		1085144-NLA	NLA - Pendant, Cable, and Current Limiting Device (w/ Instruction Sheet)	1	1
5		1085140-NLA	NLA - Kit, Flap with Hardware (Includes: 2 Flaps, 4 Pins, 4 Screws, 4 Washers, 4 Self-locking Nuts, 4 Hnges, 8 Retaining Clips, & Instruction Sheet)	1	1
6		1085143-NLA	NLA - Kit, Mounting (Includes: 2 Suction Cups, 4 End Plugs, 2 Locking Clips, 2 Buffers & Instruction Sheet)	1	1
7		1085145-NLA	NLA - Kit, Slide Block (Includes: 1 Slide Block, 2 Domed Nuts, & Instruction Sheet)	1	1

Locking Caster Kit (1110421 Pair)

For Reliant, 9805/9805P and GHS350 Lifts

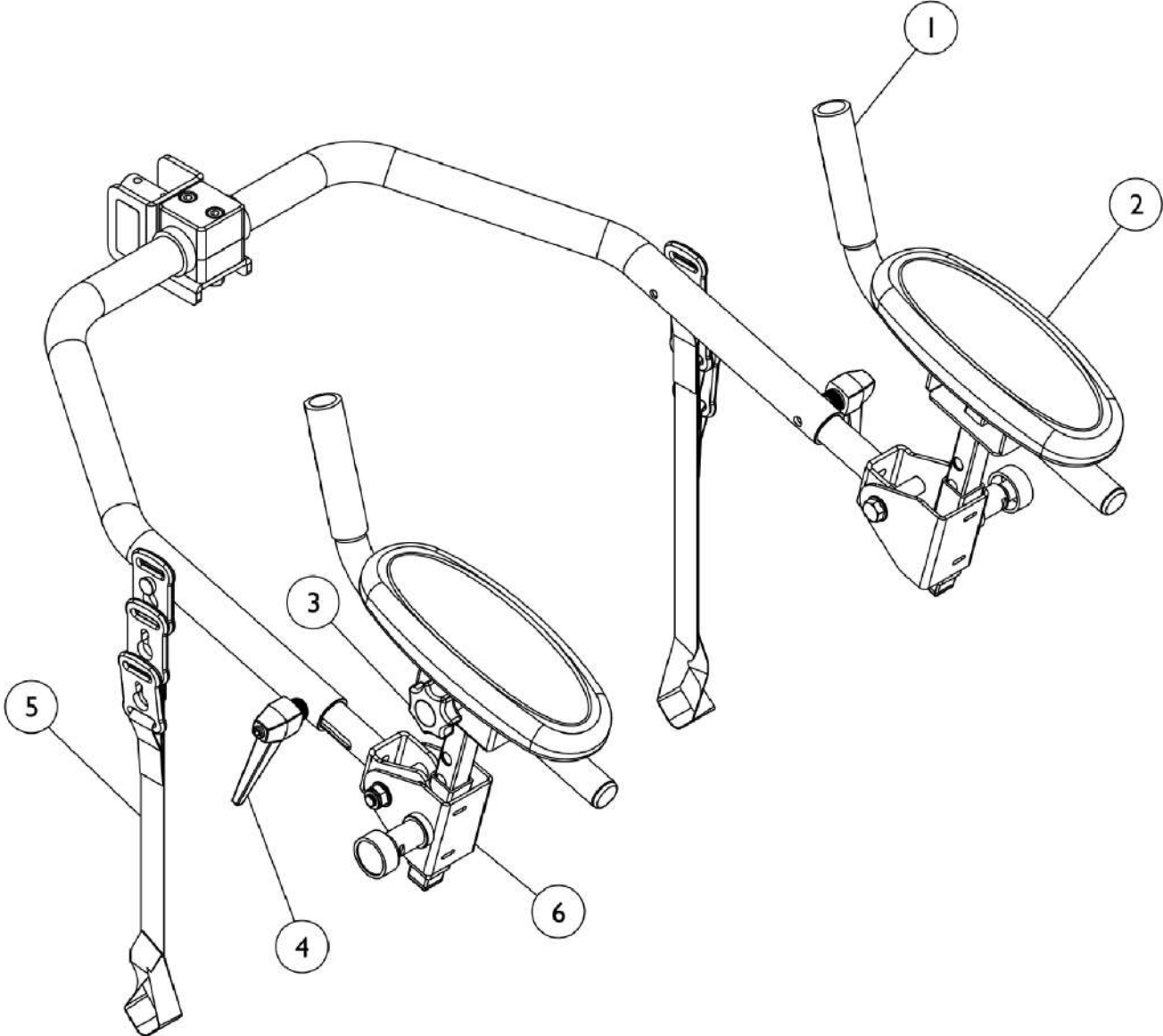


Locking Caster Kit (1110421 Pair) For Reliant, 9805/9805P and GHS350 Lifts

Item Number	Note	Part Number	Description	Quantity Per	
				Package	Assembly
1	A	1110421	Kit, Caster Assembly, Swivel w/ Brake (5") (Pair)	1	1
2			Caster Assembly, Swivel w/ Brake (5")	1	2
3			Bushing (15/32 x 1-1/16 x 9/32")	1	2
			Instruction Sheet	1	1
2	B,C	1123539	Caster Assembly, Swivel w/ Brake (5")	1	2
4		1014808-NLA	NLA - Washer, Lock (7/16 x 25/32 x 1/64")	1	2
5		1015981-NLA	NLA - Screw, Hex Head (7/16-14 x 1-3/4")	1	2
6		1014371	Lockwasher (1/2")	1	2
7		1073885-NLA	NLA - Washer (1/2 x 15/16 x 1/8")	1	2
8		1073884	Screw, Hex Head (1/2-13 x 1-1/4")	1	2
	D	1024415-NLA	NLA - Instruction Sheet	1	1

NOTE: A - Instruction sheet for this kit not shown. Bushings added 7/30/12 to be used for 9805/9805P Lifts only. The Bushings provide clearance to rotate casters freely. Kit 1110421 replaced Model 9935 that is No Longer Available.
 B - Also available as a pair, refer to Part #1110421. It is recommended to order the Caster Assembly Kit for 9805/9805P Lifts that includes Bushings to provide caster rotation clearance.
 C - This item includes a Wheel, Thread Guards, Axle and Nut which is "Not Assembled."
 D - Not Shown.

WT200 Walking Tutor Attachment - Reliant 440



WT200 Walking Tutor Attachment - Reliant 440

Item Number	Note	Part Number	Description	Quantity Per	
				Package	Assembly
1		1143818-NLA	NLA - Kit, Hand Grip	1	1
2		1143821-NLA	NLA - Kit, Arm Rests	1	1
3	A	1143825-NLA	NLA - Knob with Hardware	1	2
4	B	1143824-NLA	NLA - Kit, Lever with Hardware	1	2
5	C	1143822-NLA	NLA - Kit, Strap Assembly	1	1
6		1143823-NLA	NLA - Arm Rest Adjuster Assembly	1	2
NOTE: A - Includes (1) Knob and (2) Washers. B - Includes (1) Lever and (1) Washer. C - Includes (2) Strap Assemblies.					

Packaging & Literature

RBL250 Lift

Model	Instructions
Flap Kit with Hardware	1085313-NLA
Owner's Manual	N/A
Mounting Kit	1085311-NLA
Pendant Kit	1085312-NLA
Slide Block Kit	1085314-NLA

NOTE: When adjusting or replacing parts, please refer to your owner's manual for assistance.

RPS350-1 Stand-Up Lift

Cartons	Inserts	Instructions/Manual
60108593	1073537	1078984-NLA
60108594	N/A	N/A
N/A	1088272-NLA	N/A
N/A	1088273-NLA	N/A
N/A	1088278-NLA	N/A
N/A	1088279-NLA	N/A
N/A	1088280-NLA	N/A

NOTE: When adjusting or replacing parts, please refer to your owner's manual for assistance.

Packaging & Literature

RPS350-2

Cartons	Inserts	Instructions/Manual
40131X044	1088279-NLA NLA - Insert, Carton	1145811
60108593 Carton, Shipper, Top	1088278-NLA NLA - Insert, Carton	
60108594 Carton, Shipper, Bottom	1088279-NLA NLA - Insert, Carton	
	1088272-NLA NLA - Insert, Carton	
	1088273-NLA NLA - Insert, Carton	

RHA/RHL/RPA/RPL450-1

Cartons	Inserts	Instructions/Manual
60108593	1073537	1078987 See Note(s) A
60108594	1073538	1078988-NLA See Note(s) B
N/A	1088275-NLA	N/A
N/A	1088276	N/A
N/A	1088277	N/A

NOTE: A - American Manual.
B - European Manual.

NOTE: When adjusting or replacing parts, please refer to your owner's manual for assistance.

Packaging & Literature

RPA600-1

Cartons	Inserts	Instructions/Manual
60108593 Carton, Shipper, Top	1073537 Insert, Lift, Carton	1078987 Owner's Manual Reliant Lift, English See Note(s) A
60108594 Carton, Shipper, Bottom	1073538 Insert, Lift, Carton	1078988-NLA NLA - Owner's Manual Reliant Lift - Europe See Note(s) A
1079691-NLA NLA - Carton, Charger	1088275-NLA NLA - Insert, Carton	N/A
40131X044 Carton, Shipper	1088276 Insert, Carton	N/A
N/A	1088277 Insert, Carton	N/A

NOTE: A - Both Languages use same Cartons and Inserts.

NOTE: When adjusting or replacing parts, please refer to your Owner's Manual for assistance.

RPL600-1

Cartons	Inserts	Instructions/Manual
60108593 Carton, Shipper, Top	1073537	1078987
60108594 Carton, Shipper, Bottom	1073538	N/A
1079691-NLA NLA - Carton, Charger	1088275-NLA	N/A
40131X044 Carton, Shipper	1088276	N/A
N/A	1088277	N/A
N/A	1079682-NLA NLA - Insert, Carton Lift	N/A

NOTE: When adjusting or replacing parts, please refer to your Owner's Manual for assistance.

Packaging & Literature

RPL600-2

Cartons	Inserts	Instructions/Manual
60108593 Carton, Shipper, Top	1073537	1145810-NLA NLA - Owners, Manual - RPL600-2/RPL450-2
60108594 Carton, Shipper, Bottom	N/A	N/A
1079691-NLA NLA - Carton, Charger	1088275-NLA	N/A
40131X044 Carton, Shipper	1088276	N/A
N/A	1088277	N/A

NOTE: When adjusting or replacing parts, please refer to your Owner's Manual for assistance.

9805 and 9805P Hydraulic Lifts

Cartons	Inserts	Instructions/Manual
1060005-NLA	1060007-NLA	1024492-NLA
1060006-NLA	1060008	N/A
1060009-NLA	1060010	N/A
N/A	1060011	N/A

NOTE: When adjusting or replacing parts, please refer to your Owner's Manual for assistance.

9800A and 9800AP Mast Only

Cartons	Inserts	Instructions/Manual
1060009-NLA	1060008	1024492-NLA
N/A	1060007-NLA	N/A

NOTE: When adjusting or replacing parts, please refer to your Owner's Manual for assistance.

Packaging & Literature

9884 and 9884P Base Only

Cartons	Inserts	Instructions/Manual
1043369-NLA	1043366-NLA	1024492-NLA
N/A	1043367-NLA	N/A
N/A	1043368-NLA	N/A

NOTE: When adjusting or replacing parts, please refer to your Owner's Manual for assistance.

9099 Pump

Model	Cartons	Instructions/Manual
9099 - Hydraulic Pump	40131X081-NLA	1049388-NLA

NOTE: When adjusting or replacing parts, please refer to your Owner's Manual for assistance.

9935 Casters

Model	Cartons	Instructions/Manual
9935 - 5" Locking	40131X011-NLA	1024415-NLA

NOTE: When adjusting or replacing parts, please refer to your Owner's Manual for assistance.

Scales

Model	Instructions/Manual
RSC600 Digital Scale	1080982-NLA
9833 Digital Scale	270179-NLA
9833A Digital Scale	270179-NLA

NOTE: When adjusting or replacing parts, please refer to your Owner's Manual for assistance.

Packaging & Literature

Slings (9000 Series)

Model	Cartons	Instructions/Manual
9040, 9742 Mesh Wrap Around, 9042 Canvas, 9043 Canvas with Commode, 9046, 9746 Mesh, 9047, 9747 Mesh with Commode	40131X011-NLA	1023891
9044 Canvas with Headrest, 9045 Canvas with Headrest and Commode, 9048 Mesh with Headrest, 9049 Mesh with Headrest and Commode	40131X158-NLA	1023891

NOTE: When adjusting or replacing parts, please refer to your Owner's Manual for assistance.

Slings (R Series)

Model	Cartons	Instructions/Manual
Full Body Slings R110, R111, R112, R113, R114, R117	1023167-NLA	1023891
Toileting Slings R114, R115, R116, R121	1023167-NLA	1023891
Divided Leg Slings R100, R101, R102	1023167-NLA	1023891
Standing Sling (RPS350 only) R130	1023167-NLA	1023891
Standing Sling (RPS350 only) R134	40131X158-NLA	1023891
Heavy Duty Sling R140, R141	1023167-NLA	1023891

NOTE: When adjusting or replacing parts, please refer to your Owner's Manual for assistance.

Instructional Material

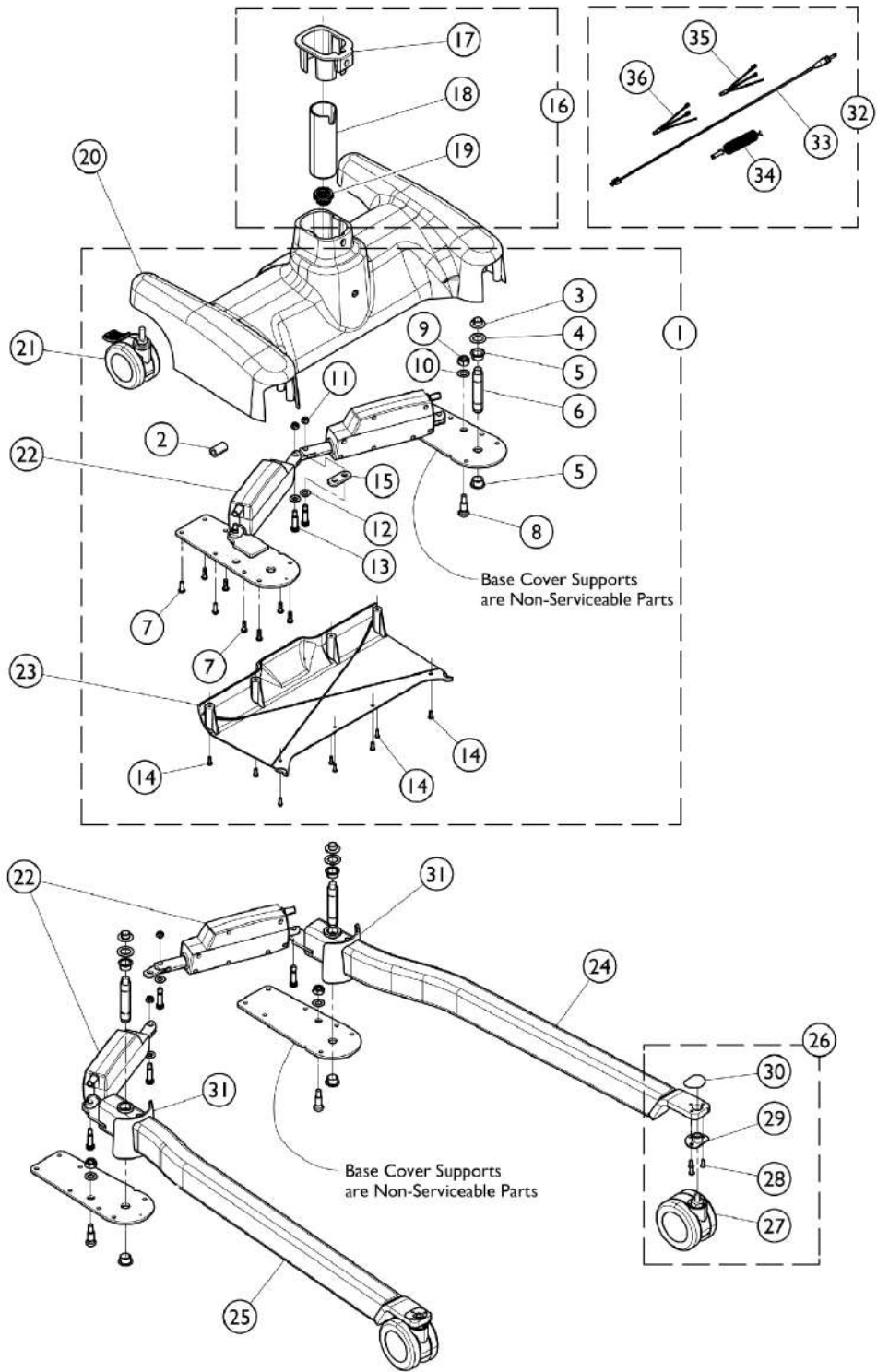
Part Number	Description
1090514-NLA	NLA - Book/ Video, Injury Prevention Program
1090824-NLA	NLA - Video, Standing w/ Ease

Packaging & Literature

Touch-Up Paint

Part Number	Description
1075222-NLA See Note(s) A	NLA - Paint, Touch-Up, Reliant, Isolet Gray
NOTE: A - For use on reliant 9805P and GHS350 Lifts.	

Jasmine Full Body Lift - Base Assembly (After 9/1/2011)



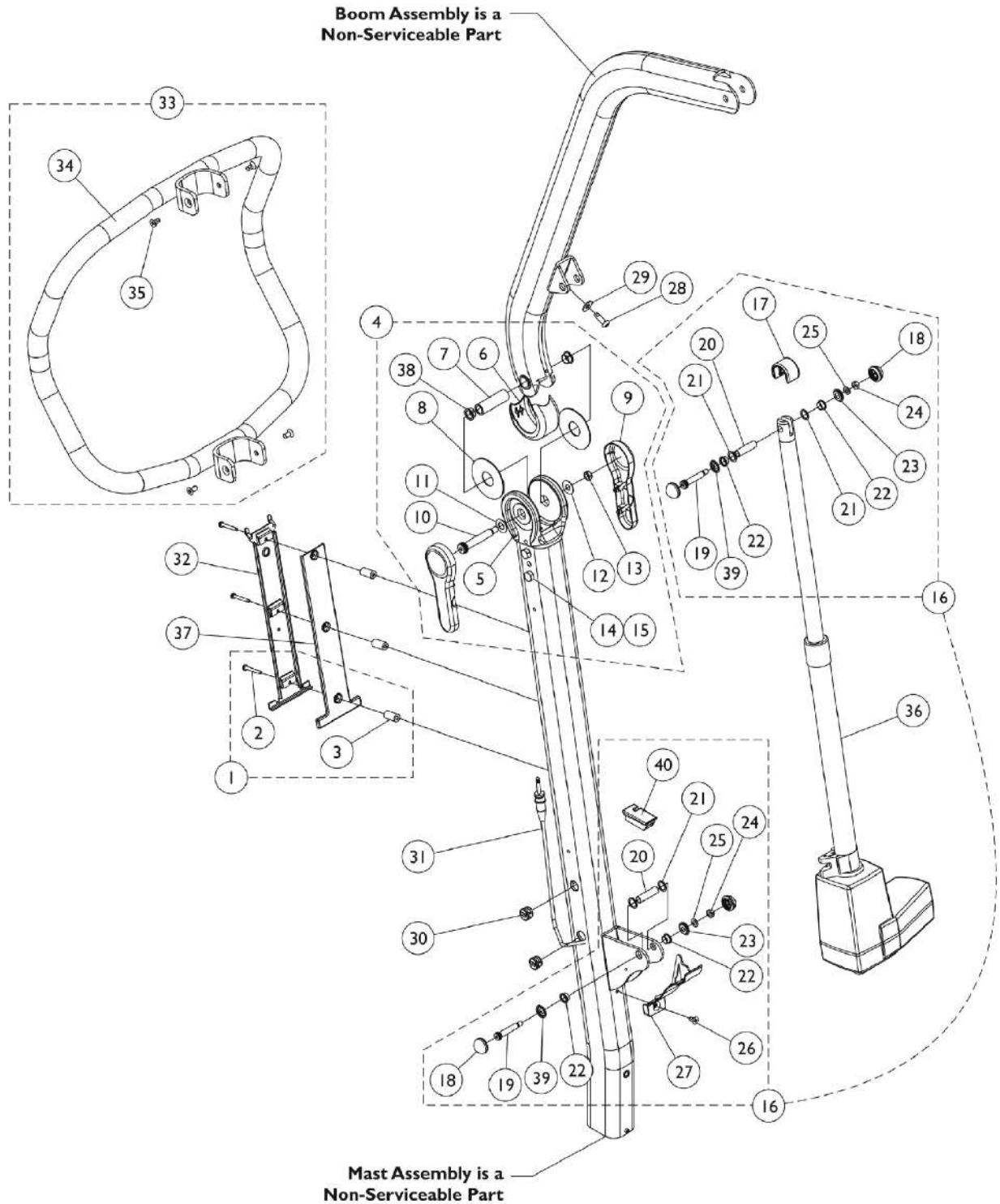
Jasmine Full Body Lift - Base Assembly (After 9/1/2011)

Item Number	Note	Part Number	Description	Quantity Per	
				Package	Assembly
1	A	1171361-NLA	NLA - Kit, Base Hardware	1	1
2			EMI Core	1	1
3			Bushing, Flanged (1/2 x 5/8 x 3/8)	1	2
4			Washer (3/4 x 1-3/16 x 1/32")	1	2
5			Bearing, Teflon, Flanged	1	4
6			Pin (3/4 x 3-3/4")	1	2
7			Screw, Socket Head (1/4-20 x 3/4")	1	16
8			Bolt, Kick Prevent	1	2
9			Nut, Lock, Hex (M12 x 1.75)	1	2
10			Washer (1/2 x 7/8 x 3/64")	1	2
11			Nut, Lock, Hex (5/16-18)	1	2
12			Washer, Nylon (3/8 x 3/4 x 1/16")	1	2
13			Screw, Shoulder, Socket Head (3/8 x 1", 5/16-18)	1	4
14			Screw, Phillips, Pan Head (8-32 x 1/2")	1	8
15			Plate, Actuator	1	1
16	C,D	1171481	Kit, Mast to Base Socket	1	1
17			Shroud, Base	1	1
18			Rubber Tube, Base	1	1
19			Junction Box Assembly	1	1
20		1171524-NLA	NLA - Base, Aluminum	1	1
21		1148605	Caster, Rear w/ M12 Bolt	1	2
22		1171363	Motor, Actuator	1	2
23		1148607	Cover, Base, Plastic - Blue	1	1
24		1146885	Leg Assembly, Full Body, Jasmine, White - Left	1	1
25		1146886	Leg Assembly, Full Body, Jasmine, White - Right	1	1
26	B	1161582	Kit, Front Caster and Hardware (Pair)	1	1
27			Caster, Front w/ M12 Bolt	1	2
28			Screw, Phillips, Flat Head (M5 x 11mm)	1	6
29			Bushing, Plate Leg	1	2
30			Mylar, Bracket Leg	1	2
31		1161591	Kit, Toe Protection (Pair)	1	1
			Protection, Toe	1	2
32	E	1171360-NLA	NLA - Kit, Controller Wire	1	1
33			Cable, Base Controller	1	1
34			Cable, Base Coil	1	1
35			Wire, Brown, Motor Actuator	1	1
36			Wire, Blue, Motor Actuator	1	1
32	F	1161583	Kit, Controller Wire	1	1
33			Cable, Base to Controller	1	1
35			Wire, Brown, Motor Actuator	1	1
36			Wire, Blue, Motor Actuator	1	1

Jasmine Full Body Lift - Base Assembly (After 9/1/2011)

NOTE: A - Includes Items 2 - 15.
B - Includes Items 27 - 30.
C - Includes Items 17 - 19. Special Note: Item 17 mounts inside Jasmine Mast Assembly.
D - For all Jasmine Lifts manufactured after 9/1/2011.
E - Includes items 33 - 36. Part #1171360 is no longer available. Use part #1161583 as a replacement.
F - Includes items 33, 35 and 36. Replaces part #1171360.

Jasmine Full Body Lift - Mast/Boom Assembly



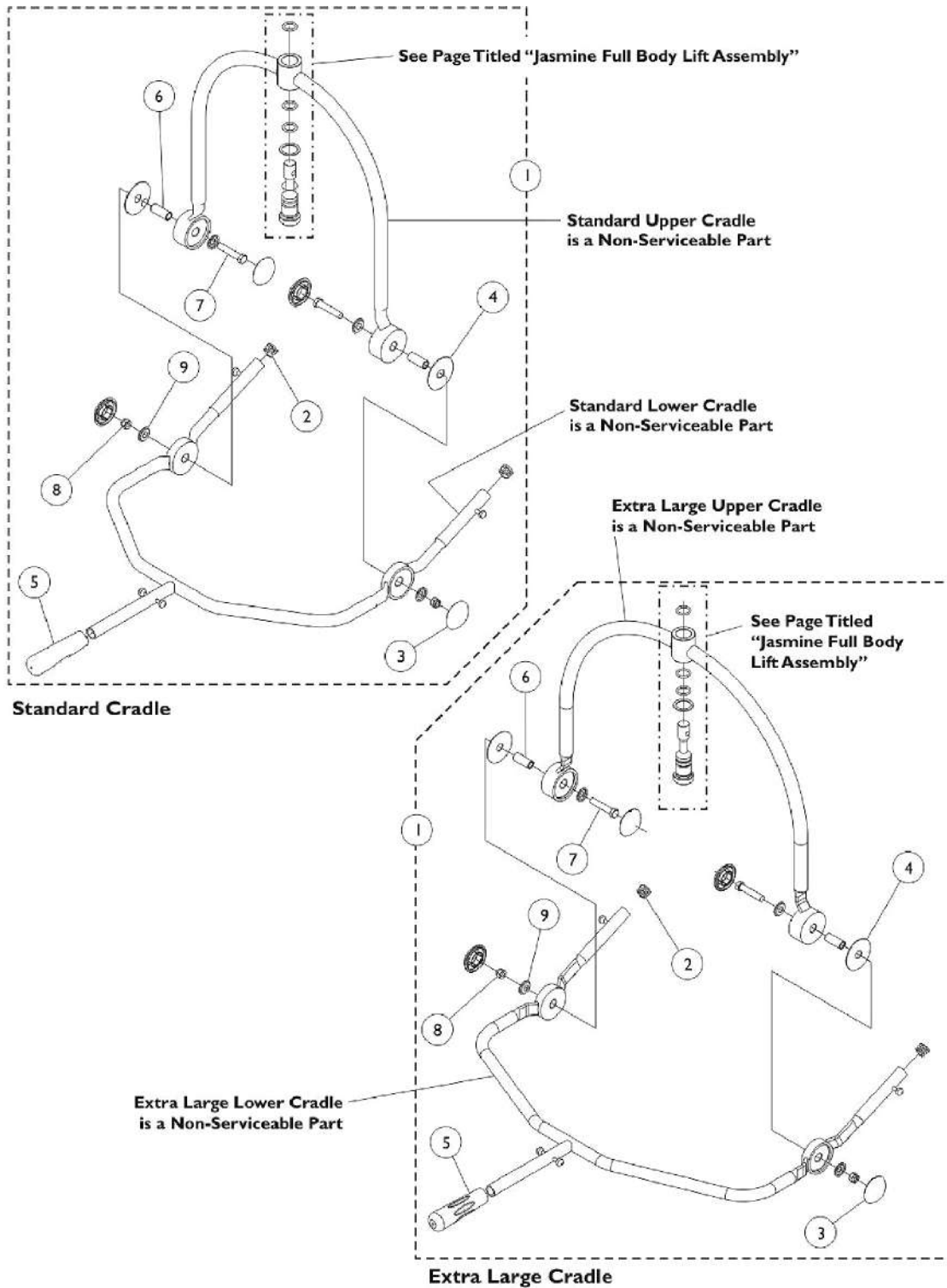
Jasmine Full Body Lift - Mast/Boom Assembly

Item Number	Note	Part Number	Description	Quantity Per	
				Package	Assembly
1	A	1161590	Kit, Battery Bracket Hardware	1	1
2			Screw, Phillips, Pan Head (10-32 x 1 1/2")	1	3
3			Spacer, Battery	1	3
4	B	1161579	Kit, Mast Connector	1	1
5			Mast Connector	1	1
6			Cover, Boom	1	1
7			Bushing (33/64 x 25/32 x 2-17/32")	1	1
8			Washer, Nylon, Boom and Mast	1	2
9			Cover, Mast	1	2
10			Screw, Hex Head (7/16-20 x 2 7/8")	1	2
11			Washer, Plain (1/2 x 1 x 1/32")	1	1
12			Washer, Plain (13/32 x 1 x 1/32")	1	1
13			Nut, Lock, Hex, Thin (3/8-16)	1	1
14			Locknut (7/16-20)	1	2
15			Screw, Shoulder Hex Socket Head (1/2 x 2-1/2", 3/8-16)	1	1
38			Bearing, Teflon	1	2
			Instruction Sheet, Jasmine Full Body Lift Mast	1	1
16	C	1169843-NLA	NLA - Kit, Mast/Boom Actuator Hardware	1	1
17			Cap, Actuator	1	1
18			Cap, Nut, Actuator, Rubber	1	4
19			Screw, Shoulder Hex Socket Head (3/8 x 1-11/16", 5/16-18)	1	2
20			Bushing (3/8 x 1/2 x 1-23/32")	1	2
21			Washer, Nylon (9/16 x 25/32 x 1/32")	1	4
22			Bearing, Flanged (1/2 x 9/16 x 9/32")	1	4
23			Washer, Screw, Actuator	1	2
24			Nut, Lock, Hex (5/16-18)	1	2
25			Washer, Flat (21/64 x 37/64 x 1/2")	1	2
26			Screw, Phillips, Flat Head (1/4-20 X 1/2")	1	1
27			Cover, Bottom, Actuator Plate	1	1
39			Washer, Nut, Actuator	1	2
40			Cover, Pinch Prevent	1	1
			Instruction Sheet, Jasmine Full Body Lift Mast	1	1
28		1155292	Screw, Socket, Button Head w/ Patch (M8 x 25mm)	1	1
29		1152387	Washer (11/32 x 7/8 x 5/64)	1	1
30		1161587-NLA	NLA - Package, Wire Lock	10	1
31	D	1161583	Kit, Controller Wire	1	1
			Cable, Base to Controller	1	1
			Wire, Brown, Motor Actuator	1	1
			Wire, Blue, Motor Actuator	1	1
32		1078284	Bracket, Battery - Electric Only	1	1
33	E	1161580	Kit, Push Handle, Blue	1	1
34			Push Handle Assembly, Blue	1	1
35			Screw, Phillips, Flat Head (1/4-20 X 1/2")	1	4

Jasmine Full Body Lift - Mast/Boom Assembly

Item Number	Note	Part Number	Description	Quantity Per	
				Package	Assembly
36		1148483	Motor, Actuator	1	1
37		1155348	Cover, Battery, Bracket	1	1
NOTE: A - Includes Items 2 and 3. B - Includes Items 5 thru 15 and 38. Instruction Sheet Not Shown on Illustration. C - Includes Items 17 thru 27, 39, and 40. D - Motor Actuator Wires not shown here. See Page titled "Jasmine Full Body Lift Base Assembly". E - Includes Items 34 and 35.					

Jasmine Full Body Lift - Cradle / Cradle XL Assembly



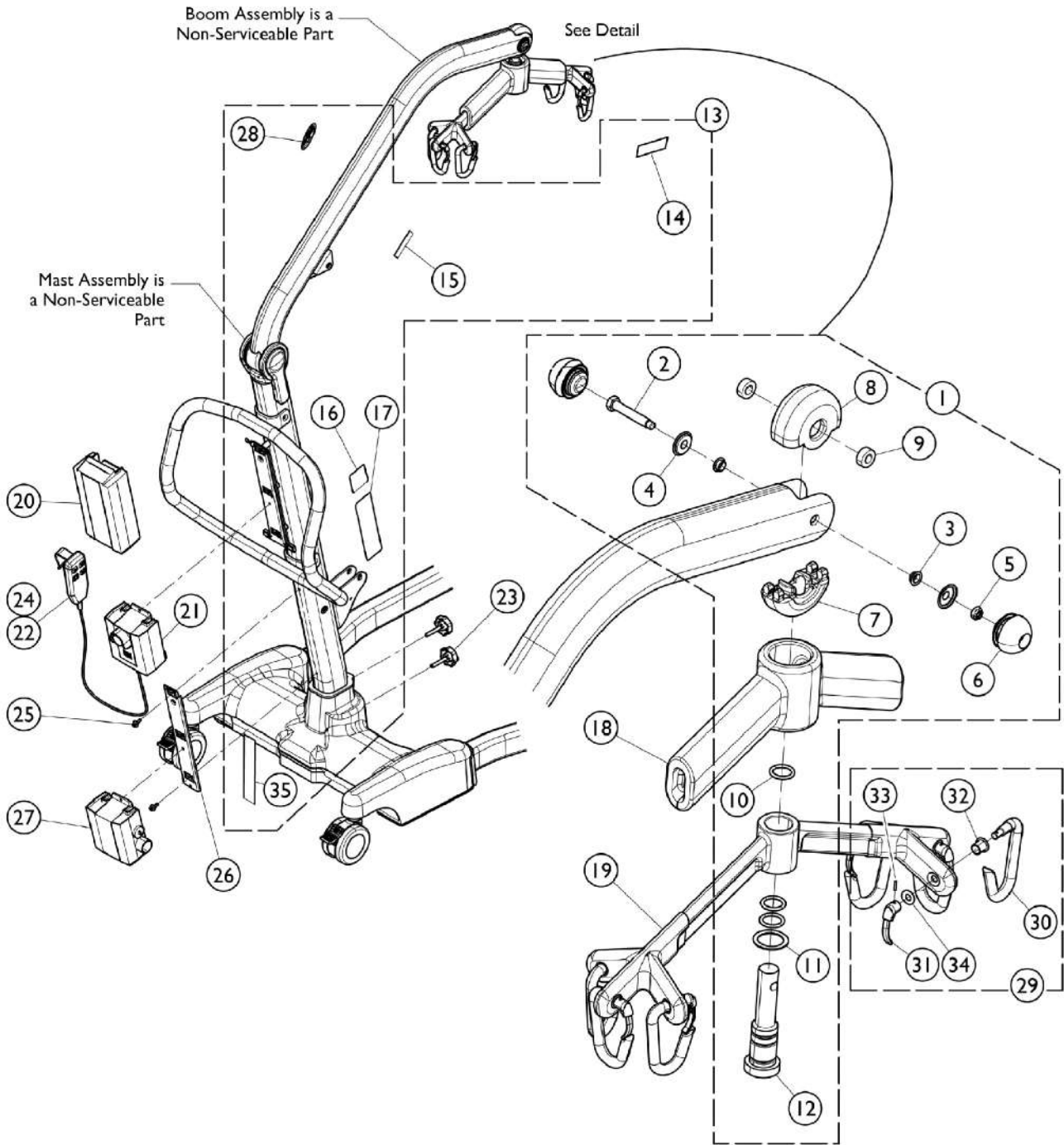
Jasmine Full Body Lift - Cradle / Cradle XL Assembly

Item Number	Note	Part Number	Description	Quantity Per	
				Package	Assembly
1	A	1161585-NLA	NLA - Kit, Cradle / XL Cradle Hardware	1	1
2			Plug Button, Black (7/8")	2	1
3			Plug, Plastic	4	1
4			Washer, Nylon (5/8 x 2-9/16 x 1/16")	2	1
5			Grip, Hand, PVC	1	1
6			Bushing (7/16 x 5/8 x 1-5/8")	2	1
7			Screw, Hex Head (7/16-20 x 2 3/16")	2	1
8			Locknut (7/16-20)	2	1
9			Washer, Caplugs	4	1

NOTE: A - Includes Items 2 thru 9.

Jasmine Full Body Lift

Labels, Hanger Bar, Battery Pack, Controller and Hand Control (After 9/1/2011)



Jasmine Full Body Lift

Labels, Hanger Bar, Battery Pack, Controller and Hand Control (After 9/1/2011)

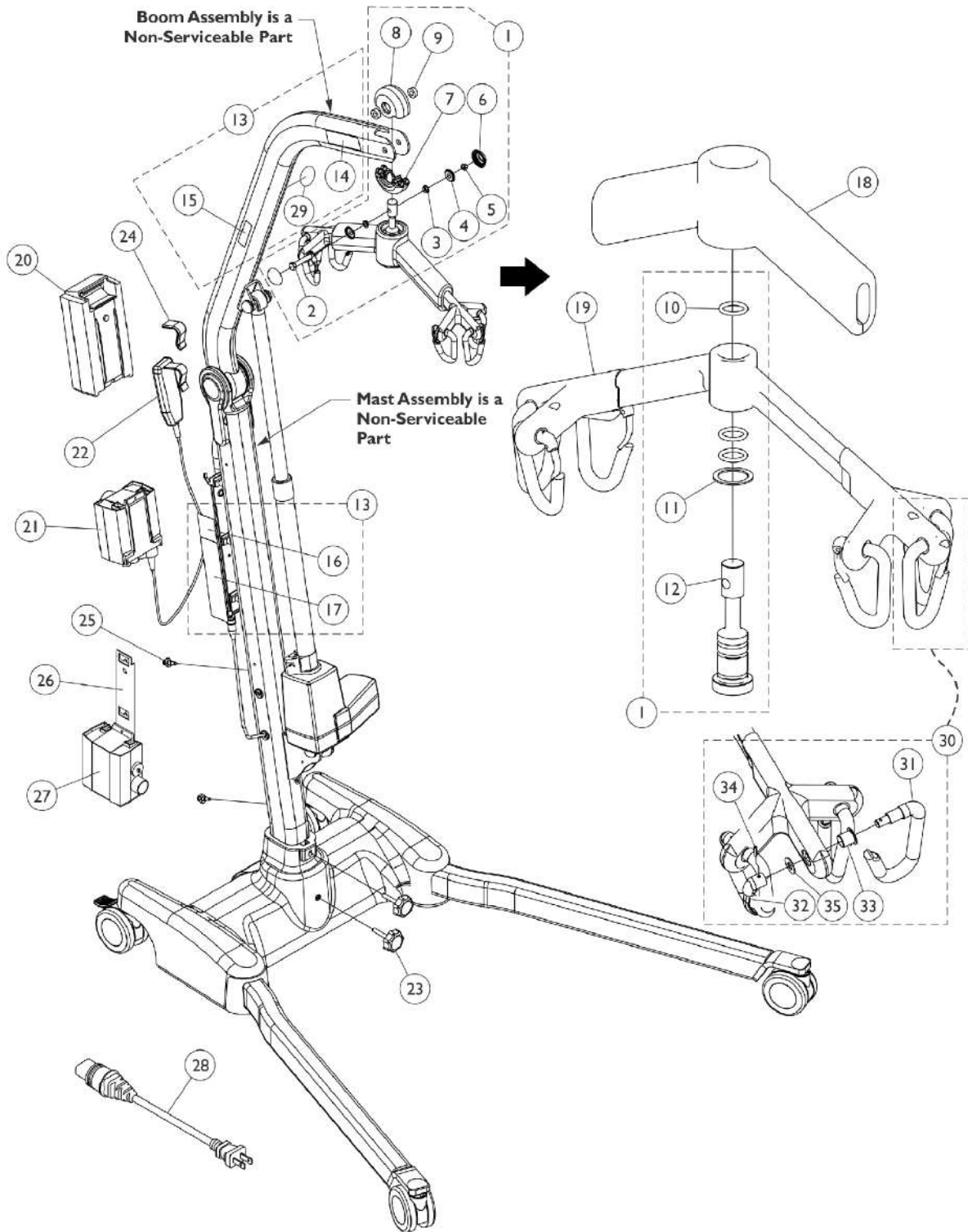
Item Number	Note	Part Number	Description	Quantity Per	
				Package	Assembly
1	A	1161581	Kit, Hanger Bar Hardware	1	1
2			Screw, Shoulder Hex Head (3/8-24 x 2", 5/8-16)	1	1
3			Bearing, Flanged (21/32 x 29/32 x 3/16")	1	2
4			Washer, Caplugs, Boom	1	2
5			Nut, Lock, Hex (5/16-18)	1	1
6			Rubber Cover, Screw Cap, Hanger	1	3
7			Rubber Cover, Boom and Hanger, Bottom	1	1
8			Rubber Cover, Boom and Hanger, Top	1	1
9			Spacer, Nylon (13/32 x 13/16 x 5/16")	1	2
10			O-Ring	1	3
11			Washer, Nylon (1-1/8 x 1-1/2 x 1/16")	1	1
12			Pin, Hanger	1	1
13	B	1169842-NLA	NLA - Kit, Label and Decal, Jasmine	1	1
14			Label, Sling	1	1
15			Decal, Jasmine	1	1
16			Label, Warning Bolt Mast	1	1
17			Label, Warning, Jasmine, 500 Pound	1	1
28			NLA - Decal, Invacare Logo (3.1)	1	1
35			Label, Warning, Mast Installation, Jasmine	1	1
18		1148566-NLA	NLA - Pad, Hanger, Bar	1	1
19		1152392	Hanger Bar Assembly	1	1
20		1152383	Battery Pack	1	1
21	D	1156004	Controller (Linak Number: CBJ1-C001-01) Analog Elec.	1	1
21	E	1156100	Controller (Linak Number: CBJC006-00) Digital Elec.	1	1
22	D	1177606	Pendant, Four Channel w/ Hook (Linak Number: HB30006-XX) Analog Elec.	1	1
22	E	1177596	Pendant, Four Channel w/ Hook (Linak Number: HB30002-XX) Digital Elec.	1	1
23		1148489	Knob, M8	1	2
24		1161593	Package, Rubber Clip	10	1
25		1161589-NLA	NLA - Package, Screw, Charger Bracket and Mast	10	1
26		1078306	Bracket, Wall Mount Charger	1	1
27		1152391	Charger, Wall	1	1
29	C	1155346	Kit, Clips and Hooks - Jasmine Hanger Bar	1	1
30			Hook, Bar Hanger	6	1
31			Bar Hanger Cover Assembly	6	1
32			Bushing, Bar Hanger	6	1
33			Pin, Hook Bar Hanger	6	1
34			Washer	6	1

Jasmine Full Body Lift

Labels, Hanger Bar, Battery Pack, Controller and Hand Control (After 9/1/2011)

Item Number	Note	Part Number	Description	Quantity Per	
				Package	Assembly
		1079133	Cord, Power, USA	1	1
NOTE: A - Includes items 2 - 12. B - Includes items 14 - 17, 28, and 35. C - Includes items 30 - 34. D - Before 11/17/16 E - After 11/16/16					

Jasmine Full Body Lift - Labels, Hanger Bar, Battery Pack, Controller and Hand Control (Before 9/2/11)

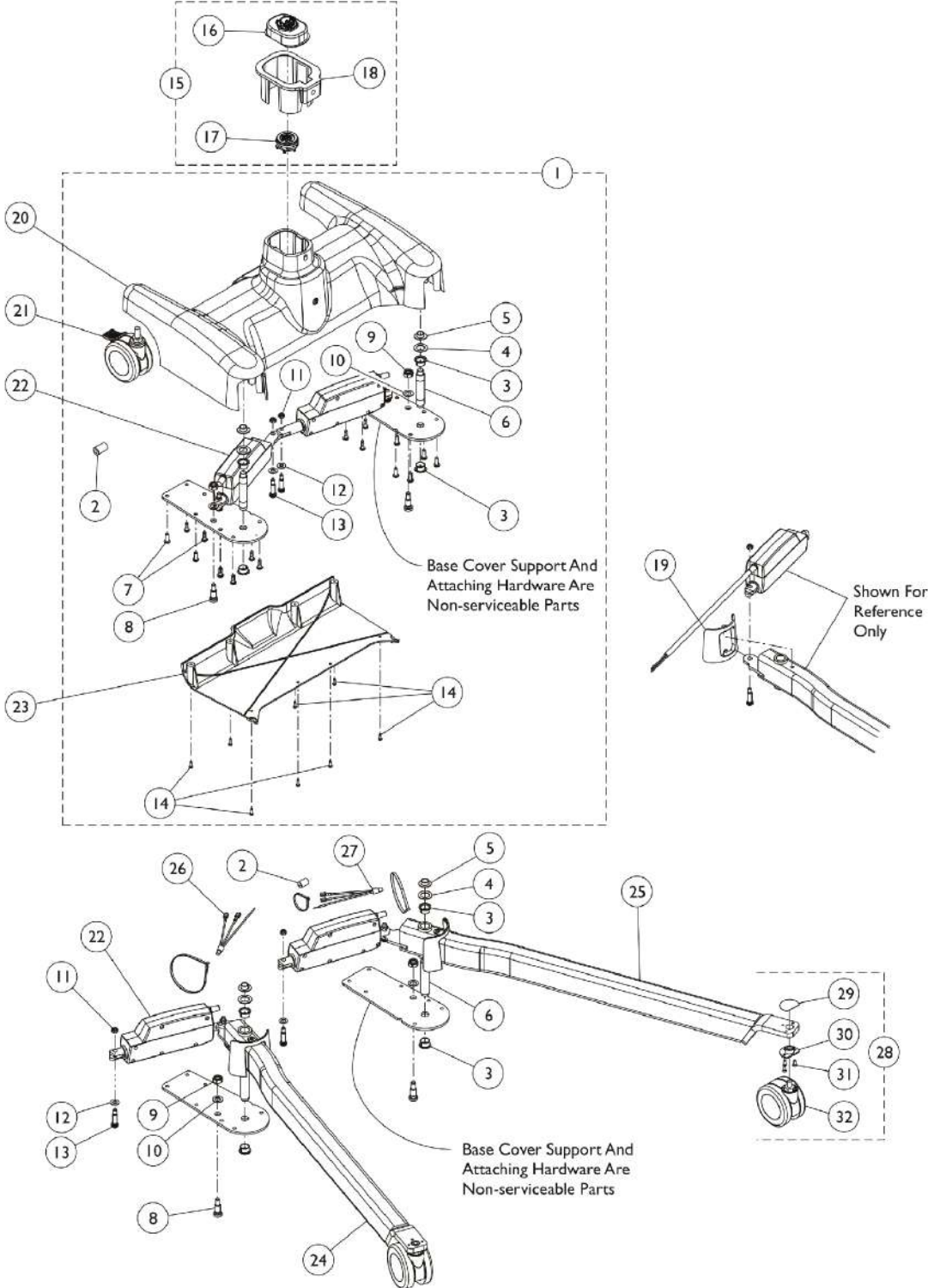


Jasmine Full Body Lift - Labels, Hanger Bar, Battery Pack, Controller and Hand Control (Before 9/2/11)

Item Number	Note	Part Number	Description	Quantity Per	
				Package	Assembly
1		1161581	Kit, Hanger Bar Hardware	1	1
2			Screw, Shoulder Hex Head (3/8-24 x 2", 5/8-16)	1	1
3			Bearing, Flanged (21/32 x 29/32 x 3/16")	1	2
4			Washer, Caplugs, Boom	1	2
5			Nut, Lock, Hex (5/16-18)	1	1
6			Rubber Cover, Screw Cap, Hanger	1	3
7			Rubber Cover, Boom and Hanger, Bottom	1	1
8			Rubber Cover, Boom and Hanger, Top	1	1
9			Spacer, Nylon (13/32 x 13/16 x 5/16")	1	2
10			O-Ring	1	3
11			Washer, Nylon (1-1/8 x 1-1/2 x 1/16")	1	1
12			Pin, Hanger	1	1
13		1161592-NLA	NLA - Kit, Label and Decal	1	1
14			Label, Sling	1	1
15			Decal, Jasmine	1	1
16			Label, Warning Bolt Mast	1	1
17			Label, Warning, Jasmine, 500 Pound	1	1
29			Decal, Invacare Logo	1	1
18		1148566-NLA	NLA - Pad, Hanger, Bar	1	1
19		1152392	Hanger Bar Assembly	1	1
20		1152383	Battery Pack	1	1
21		1156004	Controller (Linak Number: CBJ1-C001-01) Analog Elec.	1	1
22		1177606	Pendant, Four Channel w/ Hook (Linak Number: HB30006-XX) Analog Elec.	1	1
23		1148489	Knob, M8	1	2
24		1161593	Package, Rubber Clip	10	1
25		1161589-NLA	NLA - Package, Screw, Charger Bracket and Mast	10	1
26		1078306	Bracket, Wall Mount Charger	1	1
27		1152391	Charger, Wall	1	1
28		1079133	Cord, Power, USA	1	1
30	C	1155346	Kit, Clips and Hooks - Jasmine Hanger Bar	1	1
31			Hook, Bar Hanger	6	1
32			Bar Hanger Cover Assembly	6	1
33			Bushing, Bar Hanger	6	1
34			Pin, Hook Bar Hanger	6	1
35			Washer	6	1

NOTE: C - Includes items 31 - 35.

Roze Stand Up Lift - Base Assembly (Before 8/30/11)

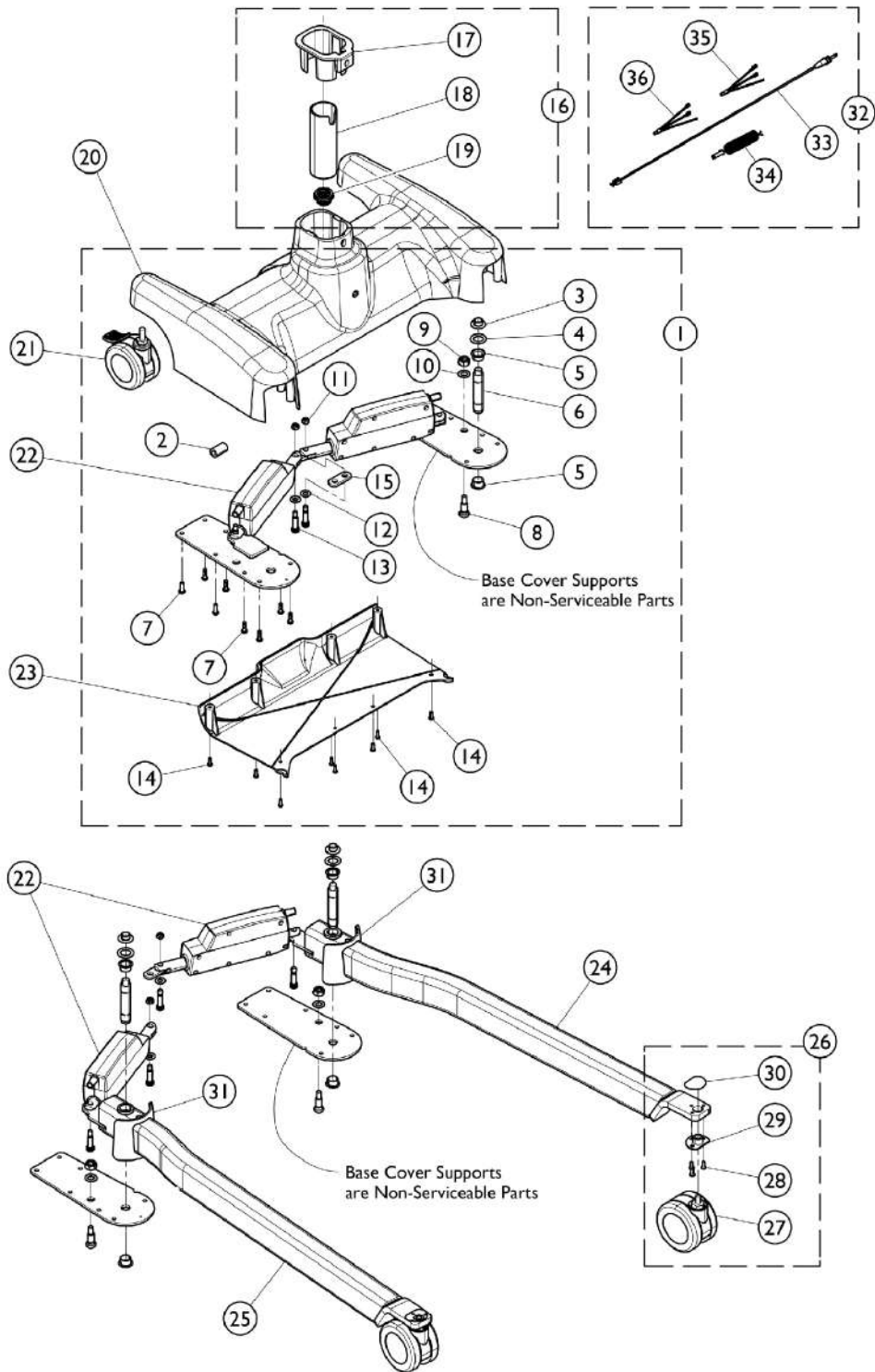


Roze Stand Up Lift - Base Assembly (Before 8/30/11)

Item Number	Note	Part Number	Description	Quantity Per	
				Package	Assembly
1	A	1169844-NLA	NLA - Kit, Base Hardware	1	1
2			EMI Core	1	1
3			Bearing, Teflon, Flanged	1	4
4			Washer (3/4 x 1-3/16 x 1/32")	1	2
5			Bushing, Flanged (1/2 x 5/8 x 3/8)	1	2
6			Pin (3/4 x 3-3/4")	1	2
7			Screw, Socket Head (1/4-20 x 3/4")	1	16
8			Bolt, Kick Prevent	1	2
9			Nut, Lock, Hex (M12 x 1.75)	1	2
10			Washer (1/2 x 7/8 x 3/64")	1	2
11			Nut, Lock, Hex (5/16-18)	1	2
12			Washer, Nylon (3/8 x 3/4 x 1/16")	1	2
13			Screw, Shoulder, Socket Head (3/8 x 1", 5/16-18)	1	4
14			Screw, Phillips, Pan Head (8-32 x 1/2")	1	8
15	C	1161588-NLA	NLA - Kit, Mast / Base Socket	1	1
16			Conduct Cover Mast Assembly	1	1
17			Electric Jointer Assembly	1	1
18			Shroud, Base	1	1
19		1161591	Kit, Toe Protection (Pair)	1	1
			Protection, Toe	1	2
20	E	1148593-NLA	NLA - Base, Aluminum	1	1
20		1171524-NLA	NLA - Base, Aluminum	1	1
21		1148605	Caster, Rear w/ M12 Bolt	1	2
22		1148482	Motor, Actuator	1	2
23		1148607	Cover, Base, Plastic - Blue	1	1
24		1146888	Leg Assembly, Stand Up, Roze, White - Right	1	1
25		1146887	Leg Assembly, Stand Up, Roze, White - Left	1	1
	D	1161583	Kit, Controller Wire	1	1
			Cable, Base to Controller	1	1
26			Wire, Brown, Motor Actuator	1	1
27			Wire, Blue, Motor Actuator	1	1
28	B	1161582	Kit, Front Caster and Hardware (Pair)	1	1
29			Mylar, Bracket Leg	1	2
30			Bushing, Plate Leg	1	2
31			Screw, Phillips, Flat Head (M5 x 11mm)	1	6
32			Caster, Front w/ M12 Bolt	1	2

NOTE: A - Includes Items 2-14.
 B - Includes Items 29-32.
 C - Includes Items 16-18. Special Note: Item 16 mounts inside Roze Mast Assembly.
 D - Cable, Base to Controller is not shown on illustration. See Page titled "Roze Full Body Lift Mast/Boom Assembly".
 E - No Longer Available, please use 1171524 as its replacement.

Roze Stand Up Lift - Base Assembly (After 9/1/2011)



Roze Stand Up Lift - Base Assembly (After 9/1/2011)

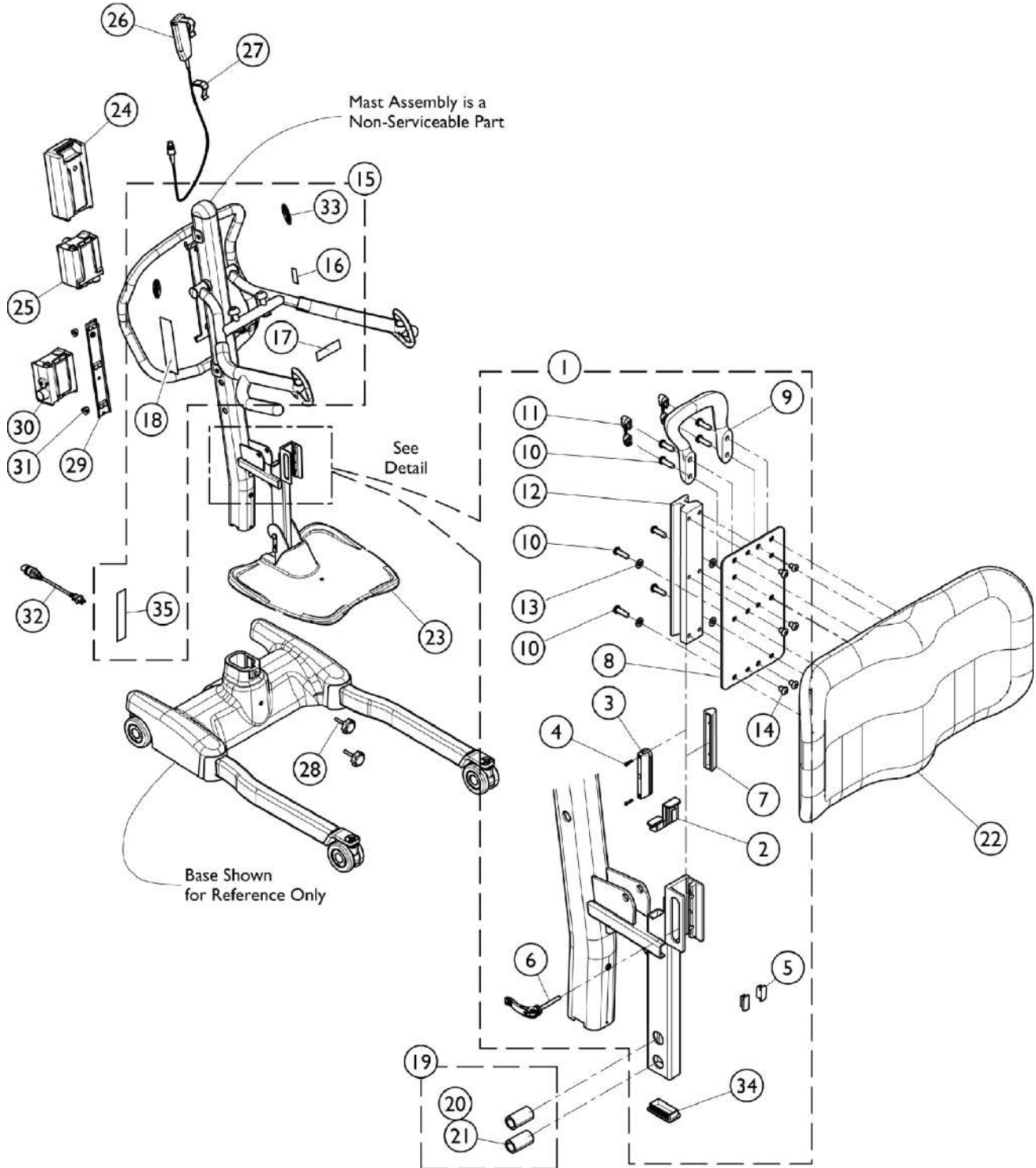
Item Number	Note	Part Number	Description	Quantity Per	
				Package	Assembly
1	A	1171361-NLA	NLA - Kit, Base Hardware	1	1
2			EMI Core	1	1
3			Bushing, Flanged (1/2 x 5/8 x 3/8)	1	2
4			Washer (3/4 x 1-3/16 x 1/32")	1	2
5			Bearing, Teflon, Flanged	1	4
6			Pin (3/4 x 3-3/4")	1	2
7			Screw, Socket Head (1/4-20 x 3/4")	1	16
8			Bolt, Kick Prevent	1	2
9			Nut, Lock, Hex (M12 x 1.75)	1	2
10			Washer (1/2 x 7/8 x 3/64")	1	2
11			Nut, Lock, Hex (5/16-18)	1	2
12			Washer, Nylon (3/8 x 3/4 x 1/16")	1	2
13			Screw, Shoulder, Socket Head (3/8 x 1", 5/16-18)	1	4
14			Screw, Phillips, Pan Head (8-32 x 1/2")	1	8
15			Plate, Actuator	1	1
16	C,E	1171481	Kit, Mast to Base Socket	1	1
17			Shroud, Base	1	1
18			Rubber Tube, Base	1	1
19			Junction Box Assembly	1	1
20		1171524-NLA	NLA - Base, Aluminum	1	1
21		1148605	Caster, Rear w/ M12 Bolt	1	2
22		1171363	Motor, Actuator	1	2
23		1148607	Cover, Base, Plastic - Blue	1	1
24		1146888	Leg Assembly, Stand Up, Roze, White - Right	1	1
25		1146887	Leg Assembly, Stand Up, Roze, White - Left	1	1
26	B	1161582	Kit, Front Caster and Hardware (Pair)	1	1
27			Caster, Front w/ M12 Bolt	1	2
28			Screw, Phillips, Flat Head (M5 x 11mm)	1	6
29			Bushing, Plate Leg	1	2
30			Mylar, Bracket Leg	1	2
31		1161591	Kit, Toe Protection (Pair)	1	1
			Protection, Toe	1	2
32	D	1171360-NLA	NLA - Kit, Controller Wire	1	1
33			Cable, Base Controller	1	1
34			Cable, Base Coil	1	1
35			Wire, Brown, Motor Actuator	1	1
36			Wire, Blue, Motor Actuator	1	1
32	F	1161583	Kit, Controller Wire	1	1
33			Cable, Base to Controller	1	1
35			Wire, Brown, Motor Actuator	1	1
36			Wire, Blue, Motor Actuator	1	1

Roze Stand Up Lift - Base Assembly (After 9/1/2011)

NOTE: A - Includes Items 2 - 15.
B - Includes Items 26 - 29.
C - Includes Items 17 - 19. Special Note: Item 17 mounts inside Jasmine Mast Assembly.
D - Includes items 33 - 36. Part #1171360 is no longer available. Use part #1161583 as a replacement.
E - For use on all Roze Lifts manufactured after 9/1/2011.
F - Includes items 33, 35 and 36. Replaces part #1171360.

Roze Stand Up Lift

Labels, Hanger Hardware, Battery Pack, Controller and Hand Control (After 9/1/2011)



Roze Stand Up Lift

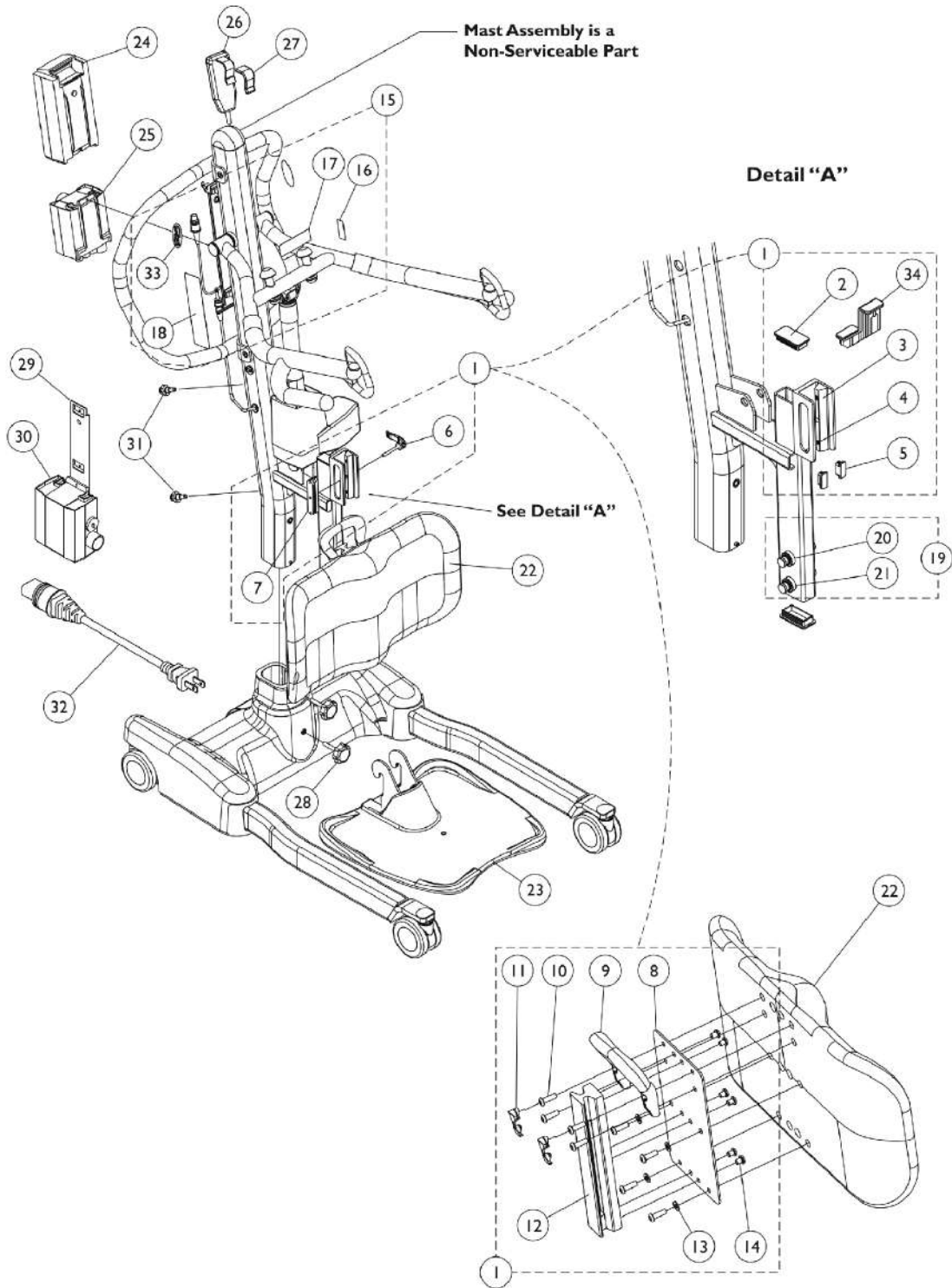
Labels, Hanger Hardware, Battery Pack, Controller and Hand Control (After 9/1/2011)

Item Number	Note	Part Number	Description	Quantity Per		
				Package	Assembly	
1	A	1161594	Kit, Knee Pad Mounting Hardware	1	1	
2			Cover, Tube, Knee Pad	1	1	
3			Rubber, Knee Pad Fixed	1	1	
4			Screw, Phillips, Pan Head, Machine (M3 x 14mm)	1	4	
5			Cover, Tube Support Knee Pad	1	2	
6			Knob, Quick Release	1	1	
7			Knee Flex Pad Adjustment Assembly	1	1	
8			Plate, Knee Rest, Front	1	1	
9			Handle, Knee Pad	1	1	
10			Screw, Socket Button Head (5/16-18 x 1")	1	8	
11			Rubber, Knee Pad Handle	1	2	
12			Guide Plate, Knee Pad	1	1	
13			Washer, Plain (21/64 x 5/8 x 3/64")	1	4	
14			Screw, Socket Button Head (5/16-18 x 3/8")	1	6	
34	B	1169845	Plug, Tube (1-3/16 x 2-1/4")	1	1	
15			NLA - Kit, Label and Decals, Roze	1	1	
16			Decal, Roze Lift	1	1	
17			Label, Sling	1	1	
18			Label, Warning, Roze 450 Lbs.	1	1	
33	C	1161595	NLA - Decal, Invacare Logo (3.1)	1	1	
35			Label, Warning, Mast Installation	1	1	
19			Kit, Footplate Hanger Hardware	1	1	
20			Retaining Ring	1	4	
21			Pin, Foot Plate	1	2	
22			1148516	Knee Pad Assembly, Blue	1	1
23			1148520	Footplate Assembly w/ Cover, Blue	1	1
24			1152383	Battery Pack	1	1
25			1156004	Controller (Linak Number: CBJ1-C001-01) Analog Elec.	1	1
26			1177606	Pendant, Four Channel w/ Hook (Linak Number: HB30006-XX) Analog Elec.	1	1
27			1161593	Package, Rubber Clip	10	1
28			1148489	Knob, M8	1	2
29			1078306	Bracket, Wall Mount Charger	1	1
30			1152391	Charger, Wall	1	1
31			1161589-NLA	NLA - Package, Screw, Charger Bracket and Mast	10	1
32			1079133	Cord, Power, USA	1	1

NOTE: A - Includes Items 2 - 14 and 34.
B - Includes Items 16, 17, 18, 33, and 35.
C - Includes Items 20 and 21.

Roze Stand Up Lift

Labels, Hanger Hardware, Battery Pack, Controller and Hand Control (Before 8/30/11)



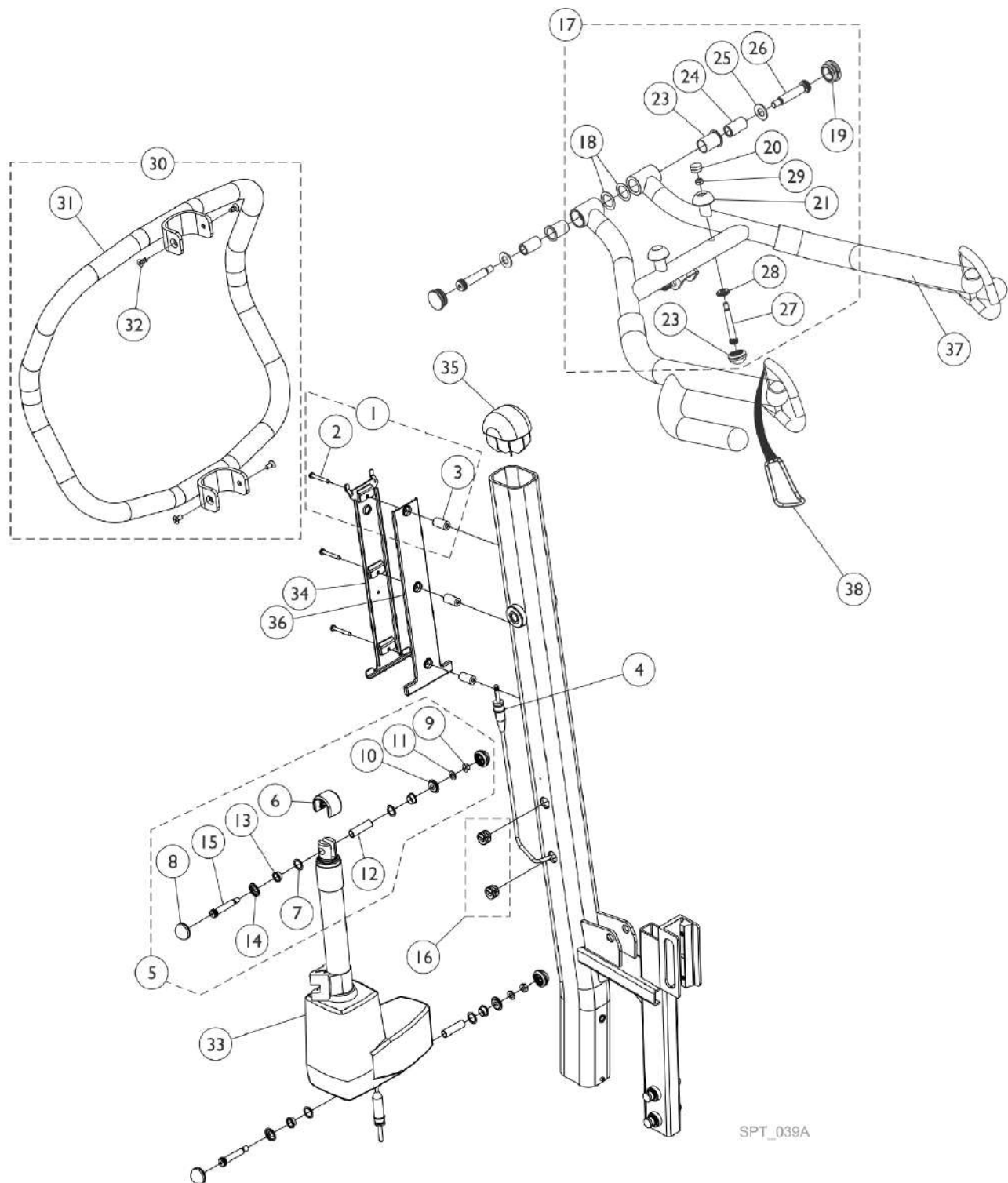
Roze Stand Up Lift

Labels, Hanger Hardware, Battery Pack, Controller and Hand Control (Before 8/30/11)

Item Number	Note	Part Number	Description	Quantity Per		
				Package	Assembly	
1	A	1161594	Kit, Knee Pad Mounting Hardware	1	1	
2			Plug, Tube (1-3/16 x 2-1/4")	1	2	
3			Rubber, Knee Pad Fixed	1	1	
4			Screw, Phillips, Pan Head, Machine (M3 x 14mm)	1	4	
5			Cover, Tube Support Knee Pad	1	2	
6			Knob, Quick Release	1	1	
7			Knee Flex Pad Adjustment Assembly	1	1	
8			Plate, Knee Rest, Front	1	1	
9			Handle, Knee Pad	1	1	
10			Screw, Socket Button Head (5/16-18 x 1")	1	8	
11			Rubber, Knee Pad Handle	1	2	
12			Guide Plate, Knee Pad	1	1	
13			Washer, Plain (21/64 x 5/8 x 3/64")	1	4	
14			Screw, Socket Button Head (5/16-18 x 3/8")	1	6	
34	B	1169845	Cover, Tube, Knee Pad	1	1	
15			NLA - Kit, Label and Decals, Roze	1	1	
16			Decal, Roze Lift	1	1	
17			Label, Sling	1	1	
18			Label, Warning, Roze 450 Lbs.	1	1	
29	C	1161595	Decal, Invacare Logo	1	2	
19			Kit, Footplate Hanger Hardware	1	1	
20			Retaining Ring	1	4	
21			Pin, Foot Plate	1	2	
22			1148516	Knee Pad Assembly, Blue	1	1
23			1148520	Footplate Assembly w/ Cover, Blue	1	1
24			1152383	Battery Pack	1	1
25			1156004	Controller (Linak Number: CBJ1-C001-01) Analog Elec.	1	1
26			1177606	Pendant, Four Channel w/ Hook (Linak Number: HB30006-XX) Analog Elec.	1	1
27			1161593	Package, Rubber Clip	10	1
28			1148489	Knob, M8	1	2
29			1078306	Bracket, Wall Mount Charger	1	1
30	1152391	Charger, Wall	1	1		
31	1161589-NLA	NLA - Package, Screw, Charger Bracket and Mast	10	1		
32	1079133	Cord, Power, USA	1	1		

NOTE: A - Includes Items 2 - 14 and 34.
B - Includes Items 16 - 18 and 33.
C - Includes Items 20 and 21.

Roze Stand Up Lift - Mast and Boom Assembly



SPT_039A

Roze Stand Up Lift - Mast and Boom Assembly

Item Number	Note	Part Number	Description	Quantity Per	
				Package	Assembly
1	A	1161590	Kit, Battery Bracket Hardware	1	1
2			Screw, Phillips, Pan Head (10-32 x 1 1/2")	1	3
3			Spacer, Battery	1	3
4	B	1161583	Kit, Controller Wire	1	1
			Cable, Base to Controller	1	1
			Wire, Brown, Motor Actuator	1	1
			Wire, Blue, Motor Actuator	1	1
5	C	1161598	Kit, Mast Actuator Mounting Hardware	1	1
6			Cap, Actuator	1	1
7			Washer, Nylon (9/16 x 25/32 x 1/32")	1	4
8			Cap, Nut, Actuator, Rubber	1	4
9			Nut, Lock, Hex (5/16-18)	1	2
10			Washer, Nut, Actuator	1	2
11			Washer, Flat (21/64 x 37/64 x 1/2")	1	2
12			Bushing (3/8 x 1/2 x 1-23/32")	1	2
13			Bearing, Flanged (1/2 x 9/16 x 9/32")	1	4
14			Washer, Screw, Actuator	1	2
15			Screw, Shoulder Hex Socket Head (3/8 x 1-11/16", 5/16-18)	1	2
16		1161587-NLA	NLA - Package, Wire Lock	10	1
17	D	1161597	Kit, Lifting Arm Mounting Hardware	1	1
18			Washer, Nylon (55/64" x 1 1/4" x 1/32")	1	2
19			Plug, Tube (1 1/4")	1	2
20			Cap, Hook	1	2
21			Knob, Hook, Black	1	2
22			Cap, Nut, Actuator, Rubber	1	2
23			Bushing, Mast, Bronze	1	2
24			Bushing (1/2" x 3/4" x 1 3/8")	1	2
25			Washer, Plain (1/2" x 1" x 5/64")	1	2
26			Screw, Shoulder Hex Socket Head (1/2 x 2", 3/8-16)	1	2
27			Screw, Shoulder Hex Socket Head (3/8 x 2 1/4", 5/16-18)	1	2
28			Washer, Nut, Actuator	1	2
29			Nut, Lock, Hex (5/16-18)	1	2
			Instruction Sheet, Lifting Arm	1	1
30	E	1161580	Kit, Push Handle, Blue	1	1
31			Push Handle Assembly, Blue	1	1
32			Screw, Phillips, Flat Head (1/4-20 X 1/2")	1	4
33		1148550	Motor, Actuator	1	1
34		1078284	Bracket, Battery - Electric Only	1	1
35		1148545-NLA	NLA - Plug, Cover	1	1
36		1155348	Cover, Battery, Bracket	1	1
37	F	1148554	Boom, Roze Stand Up, White	1	1
38		1155290	Ring, Boom, Roze	1	1

Roze Stand Up Lift - Mast and Boom Assembly

NOTE: A - Includes Item 2 and 3.
B - Motor Actuator wires are not shown, see page titled "Roze Stand Up Lift Base Assembly"
C - Includes Items 6 thru 15.
D - Includes Items 18 thru 29. Instruction Sheet not shown on illustration.
E - Includes Items 32 and 33.
F - Item 38 Boom Ring is not included with Item 37 Boom.

Sling Type and Fabric

NOTE : All Slings are sold as individual units unless otherwise stated.

Model Number	Description	Fabric Type
9040NLA	Wrap Around with out Headrest and with Commode Opening	Navy Blue Mesh
❖⊕ 9042	One Piece without Headrest and Commode Opening	Blue Polyester
9042PNLA	One Piece without Headrest and Commode Opening	Blue Polyester
⊕ 9042XWNLA	One Piece without Headrest and Commode Opening	White Polyester
❖⊕ 9043	One Piece without Headrest and with Commode Opening	Blue Polyester
9043PNLA	One Piece without Headrest and with Commode Opening	Blue Polyester
⊕ 9043XWNLA	One Piece without Headrest and with Commode Opening	Blue Polyester
⊕ 9044NLA	One Piece with Headrest and with out Commode Opening	Blue Polyester
⊕ 9045NLA	One Piece with Headrest and Commode Opening	Blue Polyester
❖⊕ 9046	One Piece without Headrest and Commode Opening	Navy Blue Mesh
⊕ 9046PNLA	One Piece without Headrest and Commode Opening	Navy Blue Mesh
9046XWNLA	One Piece without Headrest and Commode Opening	White Mesh
❖⊕ 9047	One Piece without Headrest and with Commode Opening	Nylon Mesh
⊕ 9047PNLA	One Piece without Headrest and with Commode Opening	Navy Blue Mesh
⊕ 9047XWNLA	One Piece without Headrest and with Commode Opening	Blue Polyester
⊕ 9048NLA	One Piece with Headrest and with out Commode Opening	Blue Polyester
⊕ 9049NLA	One Piece with Headrest and Commode Opening	Blue Polyester
9742NLA	Wrap Around with out Headrest and Commode Opening	Teal Mesh
9746NLA	One Piece with Headrest and with out Commode Opening	Teal Mesh
9747NLA	One Piece with Headrest and Commode Opening	Teal Mesh
R100P	Divided Leg Sling - Petite	Navy Blue Polyester
R100	Divided Leg Sling - Medium	Navy Blue Polyester
R101	Divided Leg Sling - Large	Navy Blue Polyester
R102	Divided Leg Sling - X-Large	Navy Blue Polyester
R110	Full Body Sling without Commode Opening - Medium	Navy Blue Mesh Poly.
R111	Full Body Sling without Commode Opening - Large	Navy Blue Mesh Poly.
R112	Full Body Sling without Commode Opening - Medium	Navy Blue Polyester
R113	Full Body Sling without Commode Opening - Large	Navy Blue Polyester
R114	Full Body Sling with Commode Opening - Medium	Navy Blue Mesh Poly.
R115	Full Body Sling with Commode Opening - Large	Navy Blue Mesh Poly.
R116	Full Body Sling with Commode Opening - X-Large	Navy Blue Mesh Poly.
R117	Full Body Sling without Commode Opening - X-Large	Navy Blue Mesh Poly.
R120 NLA	Toileting Sling - Medium	Navy Blue Polyester
R121	Toileting Sling - Large	Navy Blue Polyester
R122NLA	Toileting Sling - X-Large	Navy Blue Polyester
R130	Stand-up Sling (RPS350 Stand-up Lift Only)	Navy Blue Polyester
R134	Transport Sling (RPS350 Stand-up Lift Only)	Navy Blue Polyester
R140	Full Body Heavy Duty Sling with out Commode Opening	Navy Blue Mesh Poly.
R141	Full Body Heavy Duty Sling with Commode Opening	Navy Blue Mesh Poly.

❖ These products are used in connection with CareGuard™ by Invacare®.

⊕ Sling manufactured before 8/25/97 have been made from a different sling material.

Sling Measurements

NOTE : All Slings are sold as individual units unless otherwise stated.

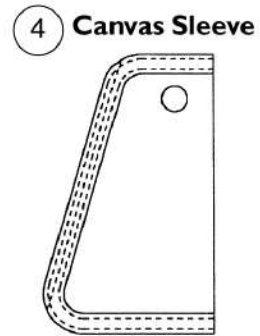
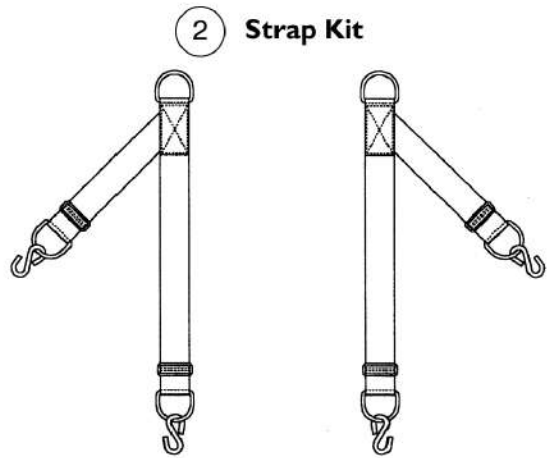
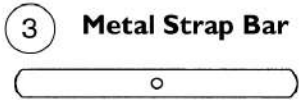
❖ Model Number	Overall Length	Overall Width	Headrest	Commode Opening To Top of Back	Commode Opening To Front of Seat	Commode Opening	
						Width	Depth
❖ 9040NLA	36"	31-1/2"	—	23-1/4"	—	7"	8"
❖❖ 9042	40-1/2"	29"	—	—	—	—	—
9042PNLA	32-1/2"	26-1/2"	—	—	—	—	—
❖❖❖ 9042XWNLA	46-1/2"	41"	—	—	—	—	—
❖❖ 9043	40-1/2"	29"	—	25-1/2"	4-1/2"	6-1/2"	11"
9043PNLA	32-1/2"	26-1/2"	—	17"	4-1/2"	6-1/2"	11"
❖ 9043XWNLA	46-1/2"	41-1/2"	—	29"	6-1/2"	6-1/2"	11"
❖ 9044NLA	54-1/2"	29"	14"	—	—	—	—
❖ 9045NLA	54-1/2"	29"	14"	25-1/2"	4-1/2"	6-1/2"	11"
❖❖ 9046	40-1/2"	29"	—	—	—	—	—
❖ 9046PNLA	32-1/2"	26-1/2"	—	—	—	—	—
9046XWNLA	46-1/2"	41"	—	—	—	—	—
❖❖❖ 9047	40-1/2"	29"	—	25-1/2"	4-1/2"	6-1/2"	11"
❖❖ 9047PNLA	32-1/2"	26-1/2"	—	17"	4-1/2"	5-1/2"	10"
❖❖ 9047XWNLA	46-1/2"	41-1/2"	—	29"	6-1/2"	6-1/2"	11"
❖ 9048NLA	54-1/2"	29"	14"	—	—	—	—
❖ 9049NLA	54-1/2"	29"	14"	25-1/2"	4-1/2"	6-1/2"	11"
9742NLA	52"	41"	—	—	—	—	—
9746NLA	50"	40"	—	—	—	—	—
9747NLA	50"	40"	—	—	—	6"	12"
R100P	50"	33"	—	—	—	—	—
R100	53-1/2"	37-1/2"	—	—	—	—	—
R101	58-1/2"	41"	—	—	—	—	—
R102	63-1/2"	44-1/2"	—	—	—	—	—
R110	53-1/4"	43-3/4"	—	—	—	—	—
R111	58-1/4"	47-3/4"	—	—	—	—	—
R112	53-1/4"	43-3/4"	—	—	—	—	—
R113	58-1/4"	47-3/4"	—	—	—	—	—
R114	53-1/4"	43-3/4"	—	34-3/4"	8"	6"	11"
R115	58-1/4"	47-3/4"	—	38"	7"	8"	13-1/2"
R116	63-1/4"	47-3/4"	—	43"	7"	7"	13"
R117	63-1/2"	47-3/4"	—	—	—	—	—
R120NLA	33"	41-1/4"	—	—	—	—	—
R121	37"	44-3/4"	—	—	—	—	—
R122NLA	42"	48-1/4"	—	—	—	—	—
R130	15"	39"	—	—	—	—	—
R134	39"	29"	—	—	—	—	—
R140	55"	45"	—	—	—	—	—
R141	55"	45"	—	41-1/2"	13-1/2"	7"	13"

❖ Sling manufactured before 8/25/97 have been made from a different sling material.

❖❖ These products are used in connection with CareGuard™ by Invacare®.

❖❖❖ Commode Opening may vary in width and/or depth 1/2" to 1" in size.

Miscellaneous Sling Components



Miscellaneous Sling Components

Item Number	Note	Part Number	Description	Quantity Per	
				Package	Assembly
1		9071	Kit, Chain	1	1
2		9070	Kit, Strap	1	1
			Strap, Right Hand Assembly	1	1
			Strap, Left Hand Assembly	1	1
3		1023762-NLA	NLA - Bar, Metal Strap	1	4
4		1023892-NLA	NLA - Sleeve, Canvas	1	2
5		97600X000-NLA	NLA - Rod, Headrest Frame	1	1
6		1088911-NLA	NLA - Sling Bag Assembly	4	1

Invacare Corporation

www.invacare.com



Yes, you can.

One Invacare Way
Elyria, Oh USA
44036-2125
800-333-6900

Technical Support
800-832-4707
Florida Technical Support
407-321-5630

Customer Service
800-333-6900

© 2022 Invacare Corporation. All rights reserved. Republication, duplication or modification in whole or in part is prohibited without prior written permission from Invacare. Trademarks are identified by TM and ©. All trademarks are owned by or licensed to Invacare Corporation or its subsidiaries unless otherwise noted. (Revised 10/17/22)

Form No. 92-47