

**Tracer® DLX**  
**Tracer® EX**  
**Invacare® MG**  
**Tracer® SX**  
**Tracer® SX Recliner**  
**Tracer® Titan™ (After 1/98)**  
**CareGuard™ by Invacare®**  
**CareGuard™ Titan™ by Invacare®**

**Invacare® MGI (After 10/00)**  
**(MGI International Accounts Only)**



*Yes, you can.*

# Parts Catalog Usage Guide

The information contained in this document is subject to change without notice. This catalog contains service parts for Form No. 97-198. If you have any questions regarding this catalog, please contact one of our Customer Service Representatives.

**For Customer Service Support Call:**

**1-800-333-6900**

**For Faxed In Orders Call:**

**1-800-678-4682 or**

**1-440-366-0709**

**For Technical Service Call:**

**1-800-832-4707**

**Literature Can Be Found at:**

**www.invacare.com or**

**1-800-828-6272**

## SYMBOL DEFINITION

Throughout this catalog you will notice letters to draw your attention to specific footnotes which are located at the bottom of the page or below specified charts.

Examples:

A,B,C etc. = Special Comments

NOTE: = General information pertaining to that specific page

NLA = No Longer Available

## HARDWARE MEASUREMENTS

The measurements for the hardware will be listed as follows:

Screws, Bolts Diameter X Thread Count/Pitch X Length

Washers Inside Diameter X Outside Diameter X Thickness

Spacers Inside Diameter X Outside Diameter X Length

For your convenience, we have supplied an area for you to list your Invacare Representatives.

Name	Phone Numbers

© 2022 Invacare Corporation, Elyria, Ohio. Invacare, the Medallion Design and Yes, you can. are registered trademarks; Tracer, Titan, and CareGuard are trademarks of the Invacare Corporation.

# TABLE of CONTENTS

<b>Description</b>	<b>Page Number</b>
Accessories - Amputee Attachment - 9357L .....	120
Accessories - Amputee Attachment - T9357L .....	121
Accessories - Anti-Tipper .....	122
Accessories - Headrest Extension - Non Recliner .....	127
Accessories - I.V. Rod - Telescoping - 1322 .....	126
Accessories - I.V. Rod and Bracket - 1318 .....	130
Accessories - I.V. Rod and Bracket - 1322SXR .....	131
Accessories - I.V./Oxygen Holder - 1496 SX, Oxygen Holder - 1497 SX .....	132
Accessories - Miscellaneous .....	145
Accessories - One Arm Drive - EX .....	140
Accessories - One Arm Drive - SX & DLX .....	136
Accessories - Quick Release Axle .....	135
Accessories - Seat Extension Kit .....	134
Arms - Conventional & Flip Back - Adjustable Height .....	9
Arms - Conventional & Flip-Back - Fixed Height .....	14
Casters - Front and Mounting Hardware .....	57
Crossbraces and Hardware - DLX (After 3/13/00) /SX/SX Recliner/Titan/CareGuard Titan ....	20
Crossbraces and Hardware - EX/DLX (Before 3/12/00) /MG/MGI/CareGuard .....	23
Forks and Hardware .....	55
Frame Hardware - Recliner Back .....	38
Frames, Side Frame Hardware .....	35

# TABLE of CONTENTS

Description	Page Number
Frames, Side without Hardware - CareGuard Models .....	28
Frames, Side without Hardware - Invacare Models .....	29
Frames, Side without Hardware - Tracer Models .....	32
Front Riggings - Adjustable Angle Footplates - AT5543 .....	93
Front Riggings - Calf Pads .....	88
Front Riggings - Footrest and Legrest Accessories .....	96
Front Riggings - Footrest Support Assembly - CG15 .....	70
Front Riggings - Footrest Support Assembly - CGH15 .....	72
Front Riggings - Footrest Support Assembly - T93H .....	73
Front Riggings - Footrest Support Assembly - TLXH3A/C, T943A/C, TLXH3S, T943S, TRH13, CGH13	66
Front Riggings - Footrest Support Assembly - TR13, CG13, T933A/C, TLX3A/C .....	68
Front Riggings - Legrest Support Assembly - AHL4A, AHL4C, AHS4 .....	83
Front Riggings - Legrest Support Assembly - T944A/C, T944S, TRH14, TRPH14, CGH14 ...	78
Front Riggings - Legrest Support Assembly - T94H/TLXH4 Series .....	75
Front Riggings - Legrest Support Assembly - TR12 .....	86
Front Riggings - Legrest Support Assembly - TR14, TRP14, CG14, TLX4A/C, T934A/C .....	81
Front Riggings - Pivot Slide Tube with Footplate .....	89
Front Riggings - Quick Reference - Footrest .....	60
Front Riggings - Quick Reference - Legrest .....	63
Packaging and Literature .....	5
Solid Folding Seat Permanent & Removable Arm .....	118



# TABLE of CONTENTS

<b>Description</b>	<b>Page Number</b>
Upholstery - Back .....	41
Upholstery - Back and Headrest - Tracer SX Recliner ONLY .....	45
Upholstery - Colors .....	8
Upholstery - Seat .....	48
Wheel Locks - Clamp-On Style - Tracer SX Recliner .....	116
Wheel Locks - Disk Style (After 8/15/03) .....	114
Wheel Locks - Link-Pivot Style - CareGuard, Invacare MGI, & Invacare MG .....	112
Wheel Locks - Link-Pivot Style - Adult - Permanent Arms .....	106
Wheel Locks - Link-Pivot Style - Adult and Hemi - Removable Arms .....	109
Wheels - Non-Projection Handrims - Attaching Hardware .....	99
Wheels - Non-Projection Handrims and Attaching Hardware .....	97
Wheels - Rear Wheel & Hardware .....	101

# Packaging and Literature

**NOTE: Owner's Manuals that are shown NLA (no longer available) are currently available and can be accessed from the Invacare Website. Please contact an Invacare Service Parts Specialist at 1-800-333-6000 if further assistance is needed.**

## CareGuard

Description	Part Number
Packaging Group	1080053-NLA
Carton	1048862
Insert	40131X039-NLA
Insert, Top	40131X041
Owner's Manual, Careguard	1080046-NLA

NOTE: When adjusting or replacing parts, please refer to the Owner's Manual for assistance.

## CareGuard Titan

Description	Part Number
NLA - CareGuard Titan Packaging Group	1080096-NLA
Carton	1048862
Insert, Top Carton	40131X041
NLA - CareGuard Owner's Manual	1080046-NLA

NOTE: When adjusting or replacing parts, please refer to the Owner's Manual for assistance.

## Invacare MG

Description	Part Number
Carton, Fixed Frame	1085555
NLA - Carton, Swingaway Front Frames	1091235-NLA
Carton, Adult, Fixed Arm Frame, Box Frame Style	1101033
Carton	1048862
NLA - Carton, Adult, Removable Arm Frame (Box Frame Style)	1085557-NLA
NLA - Owner's Manual - Tracer	1063854-NLA

NOTE: When adjusting or replacing parts, please refer to the Owner's Manual for assistance.

# Packaging and Literature

**NOTE: Owner's Manuals that are shown NLA (no longer available) are currently available and can be accessed from the Invacare Website. Please contact an Invacare Service Parts Specialist at 1-800-333-6000 if further assistance is needed.**

## Invacare MGI (International Accounts Only)

Description	Part Number
NLA - Fixed Frame	1099603-NLA
NLA - Frame, Fixed (20" with Footrest)	1101120-NLA
NLA - Frame, Fixed (20" with Legrest)	1101045-NLA
NLA - Permanent Arm	1099602-NLA
NLA - Removable Arm	1099601-NLA
NLA - Owner's Manual, Invacare MGI	1099600-NLA

NOTE: When adjusting or replacing parts, please refer to the Owner's Manual for assistance.

## Tracer DLX

Description	Part Number
Carton	1048862
NLA - Owner's Manual	1065497-NLA

NOTE: When adjusting or replacing parts, please refer to the Owner's Manual for assistance.

## Tracer EX

Description	Part Number
NLA - Carton, Swingaway Front Frames	1091235-NLA
NLA - Carton, Permanent Arm Frame (Box Frame Style)	1085559-NLA
Carton	1048862
NLA - Carton, Adult, Removable Arm Frame (Box Frame Style)	1085557-NLA
NLA - Owner's Manual - Tracer	1063854-NLA

NOTE: When adjusting or replacing parts, please refer to the Owner's Manual for assistance.

# Packaging and Literature

**NOTE: Owner's Manuals that are shown NLA (no longer available) are currently available and can be accessed from the Invacare Website. Please contact an Invacare Service Parts Specialist at 1-800-333-6000 if further assistance is needed.**

## Tracer SX and Tracer Titan

Description	Part Number
Carton	1048862
NLA - Owner's Manual	1065497-NLA

NOTE: When adjusting or replacing parts, please refer to the Owner's Manual for assistance.

## Tracer SX Recliner

Description	Part Number
Carton	1086809
Insert, Carton	40131X039-NLA
Owner's Manual	1065497-NLA

NOTE: When adjusting or replacing parts, please refer to the Owner's Manual for assistance.

## Upholstery Colors

### CareGuard and Invacare Models

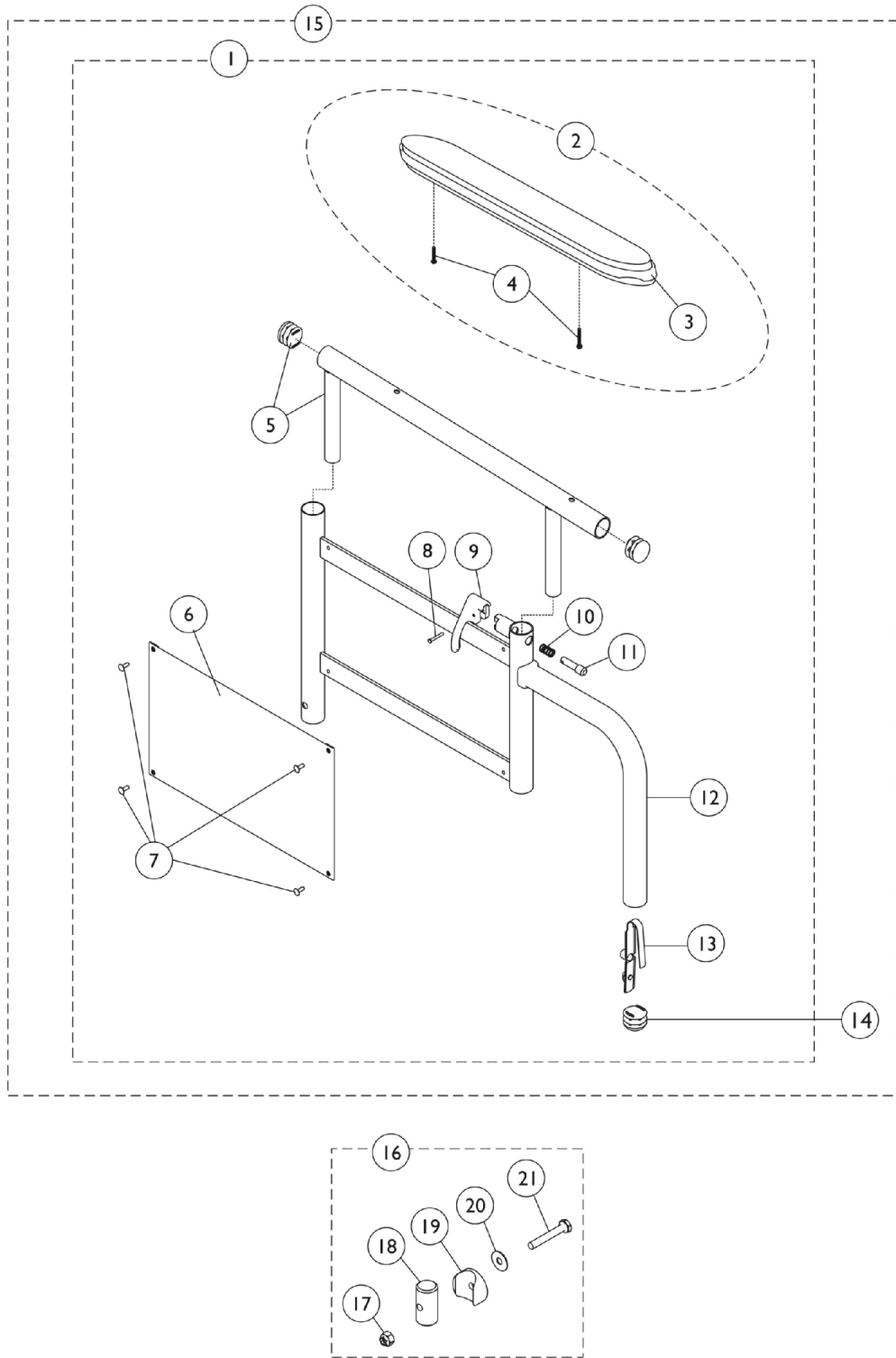
Upholstery Colors	CareGuard	CareGuard Titan	Invacare MG	Invacare MG (International Accounts Only)
U05 Black Lightweight, Vinyl			X	X
U568 Silver Blue Lightweight, Vinyl			X	X
U240 Black, Nylon		X		

### Tracer Models

Upholstery Colors	Tracer DLX	Tracer EX	Tracer SX	Tracer SX Recliner	Tracer Titan
U60 Marina Blue, Vinyl			X		
U67 Black, Vinyl			X	X	X
U75 Dove Grey, Vinyl			X	X	
U85 Dark Blue, Vinyl			X	X	
U86 Ruby, Vinyl	X	X	X	X	
U88 Camel, Vinyl			X		
U92 Space/Sky Blue, Vinyl			X		
U550 Midnight Blue, Vinyl	X	X	X	X	
U240 Black, Nylon	X		X		X

# Arms, Conventional & Flip Back - Adjustable Height

## Model #s 19, 19FB, 29, 29FB



## Arms, Conventional & Flip Back - Adjustable Height Model #s 19, 19FB, 29, 29FB

Item Number	Note	Part Number	Description	Quantity Per	
				Package	Assembly
1	A,F	8881133410-NL A	NLA - Kit, Armrest, Full Length, Chrome - Right (19 Style)	1	2
3			NLA - Pad, Arm, Full Length w/ Law Label	1	1
4			Package, Screw Phillips Pan Head (#10-32 x 1-1/8")	1	2
5			NLA - Tube, Arm, Upper with Plug Buttons, Chrome, Full Length	1	1
6			Guard, Clothing	1	1
7			NLA - Rivet	1	4
8			Rivet, Tubular	1	1
9			Handle, Lock, Black - Right	1	1
10			Spring, Arm Lock	1	1
11			Pin, Locking	1	1
12			NLA - Arm Base Assembly, Chrome - Right/Left	1	1
13			Lock, Spring and Button	1	1
1	A,F	8881133411-NL A	NLA - Kit, Armrest, Full Length, Chrome - Left (19 Style)	1	1
3			NLA - Pad, Arm, Full Length w/ Law Label	1	1
4			Package, Screw Phillips Pan Head (#10-32 x 1-1/8")	1	1
5			NLA - Tube, Arm, Upper with Plug Buttons, Chrome, Full Length	1	1
6			Guard, Clothing	1	1
7			NLA - Rivet	1	4
8			Rivet, Tubular	1	1
9			Handle, Lock, Black - Left	1	1
10			Spring, Arm Lock	1	1
11			Pin, Locking	1	1
12			NLA - Arm Base Assembly, Chrome - Right/Left	1	1
13			Lock, Spring and Button	1	1
1	A,F	8881133412-NL A	NLA - Kit, Armrest, Desk Length, Chrome - Right (29 Style)	1	1
3			NLA - Arm Pad, Desk Length w/ Law Label	1	1
4			Package, Screw Phillips Pan Head (#10-32 x 1-1/8")	1	2
5			Tube, Arm, Upper with Plug Buttons, Black, Desk Length	1	1
6			Guard, Clothing	1	1
7			NLA - Rivet	1	4
8			Rivet, Tubular	1	1
9			Handle, Lock, Black - Right	1	1
10			Spring, Arm Lock	1	1
11			Pin, Locking	1	1
12			NLA - Arm Base Assembly, Chrome - Right/Left	1	1
13			Lock, Spring and Button	1	1
1	A,F	8881133413-NL A	NLA - Kit, Armrest, Desk Length, Chrome - Left (29 Style)	1	1

## Arms, Conventional & Flip Back - Adjustable Height Model #s 19, 19FB, 29, 29FB

Item Number	Note	Part Number	Description	Quantity Per	
				Package	Assembly
3			NLA - Arm Pad, Desk Length w/ Law Label	1	1
4			Package, Screw Phillips Pan Head (#10-32 x 1-1/8")	1	2
5			Tube, Arm, Upper with Plug Buttons, Black, Desk Length	1	1
6			Guard, Clothing	1	1
7			NLA - Rivet	1	4
8			Rivet, Tubular	1	1
9			Handle, Lock, Black - Left	1	1
10			Spring, Arm Lock	1	1
11			Pin, Locking	1	1
12			NLA - Arm Base Assembly, Chrome - Right/Left	1	1
13			Lock, Spring and Button	1	1
15	B,D,F	8881133414-NL A	NLA - Kit, Armrest, Full Length, Chrome - Right (19FB Style)	1	1
3			NLA - Pad, Arm, Full Length w/ Law Label	1	1
4			Package, Screw Phillips Pan Head (#10-32 x 1-1/8")	1	2
5			NLA - Tube, Arm, Upper with Plug Buttons, Chrome, Full Length	1	1
6			Guard, Clothing	1	1
7			NLA - Rivet	1	4
8			Rivet, Tubular	1	1
9			Handle, Lock, Black - Right	1	1
10			Spring, Arm Lock	1	1
11			Pin, Locking	1	1
12			Base, Arm, Black - Right/Left	1	1
13			Lock, Spring and Button	1	1
14			Plug Button, Black (5/8")	1	1
15	B,D,F	8881133415-NL A	NLA - Kit, Armrest, Full Length, Chrome - Left (19FB Style)	1	1
3			NLA - Pad, Arm, Full Length w/ Law Label	1	1
4			Package, Screw Phillips Pan Head (#10-32 x 1-1/8")	1	2
5			NLA - Tube, Arm, Upper with Plug Buttons, Chrome, Full Length	1	1
6			Guard, Clothing	1	1
7			NLA - Rivet	1	4
8			Rivet, Tubular	1	1
9			Handle, Lock, Black - Left	1	1
10			Spring, Arm Lock	1	1
11			Pin, Locking	1	1
12			Base, Arm, Black - Right/Left	1	1
13			Lock, Spring and Button	1	1
14			Plug Button, Black (5/8")	1	1
15	B,D,F	8881133416-NL A	NLA - Kit, Armrest, Desk Length, Chrome - Right (29FB Style)	1	1



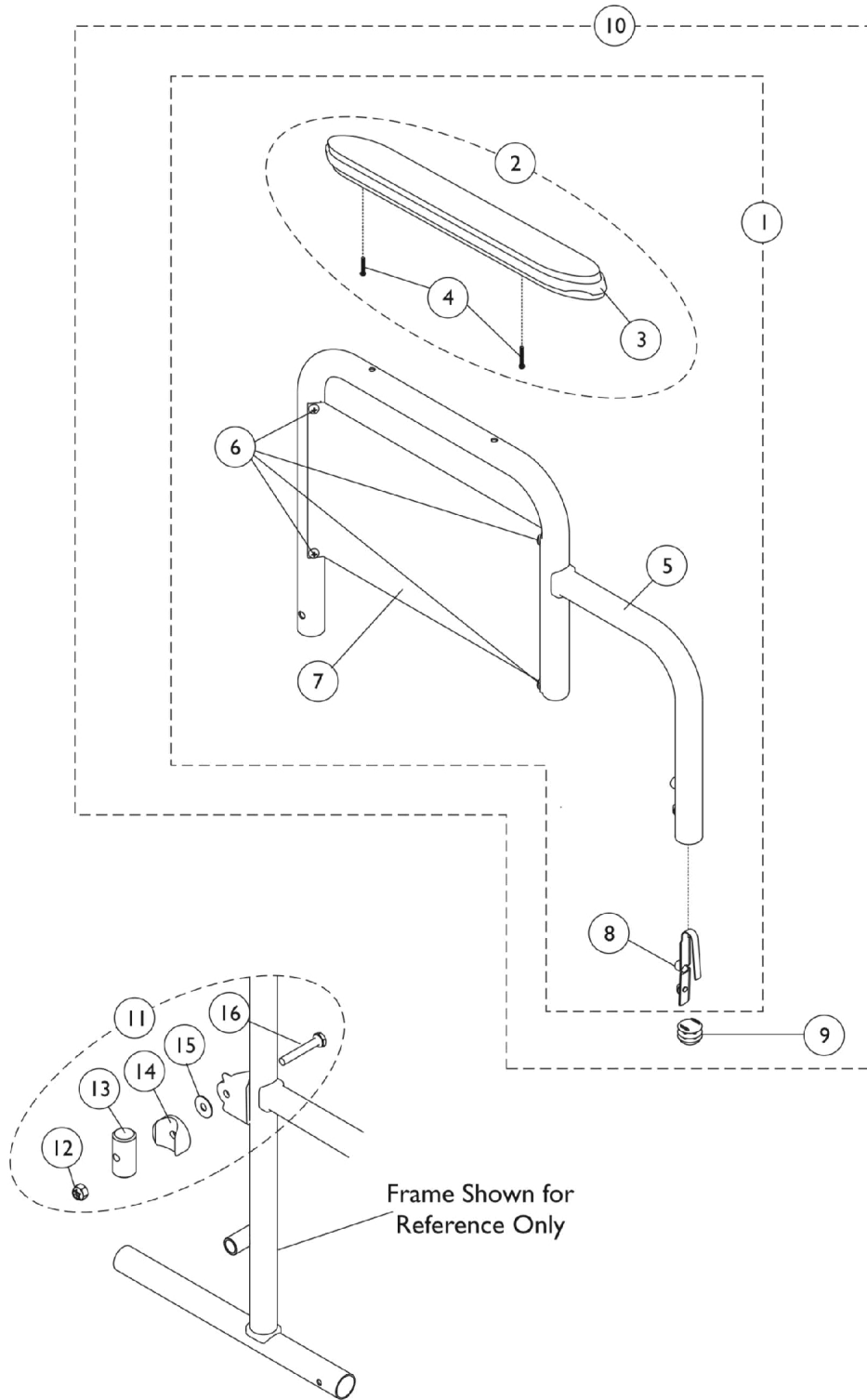
## Arms, Conventional & Flip Back - Adjustable Height Model #s 19, 19FB, 29, 29FB

Item Number	Note	Part Number	Description	Quantity Per	
				Package	Assembly
3			NLA - Arm Pad, Desk Length w/ Law Label	1	1
4			Package, Screw Phillips Pan Head (#10-32 x 1-1/8")	1	1
5			Tube, Arm, Upper with Plug Buttons, Black, Desk Length	1	2
6			Guard, Clothing	1	1
7			NLA - Rivet	1	4
8			Rivet, Tubular	1	1
9			Handle, Lock, Black - Right	1	1
10			Spring, Arm Lock	1	1
11			Pin, Locking	1	1
12			Base, Arm, Black - Right/Left	1	1
13			Lock, Spring and Button	1	1
14			Plug Button, Black (5/8")	1	1
15	B,D	8881133417	Kit, Armrest, Desk Length, Chrome - Left (29FB Style)	1	1
3			NLA - Arm Pad, Desk Length w/ Law Label	1	1
4			Package, Screw Phillips Pan Head (#10-32 x 1-1/8")	1	2
5			Tube, Arm, Upper with Plug Buttons, Black, Desk Length	1	1
6			Guard, Clothing	1	1
7			NLA - Rivet	1	4
8			Rivet, Tubular	1	1
9			Handle, Lock, Black - Left	1	1
10			Spring, Arm Lock	1	1
11			Pin, Locking	1	1
12			Base, Arm, Black - Right/Left	1	1
13			Lock, Spring and Button	1	1
14			Plug Button, Black (5/8")	1	1
2	E,F	8881127509	Kit, Arm Pad w/Screws - Full Length	1	1
3			NLA - Pad, Arm, Full Length w/ Law Label	1	1
4			Package, Screw Phillips Pan Head (#10-32 x 1-1/8")	1	2
2	E,F	8881127510	Kit, Arm Pad w/Screws - Desk Length	1	1
3			NLA - Arm Pad, Desk Length w/ Law Label	1	1
4			Package, Screw Phillips Pan Head (#10-32 x 1-1/8")	1	2
16	C	1093396-NLA	NLA - Hardware, Arm, Flip-Back - Right	2	1
17			Locknut (1/4-20)	1	1
18			NLA - Tube, Insert	1	1
19			Spacer, Coved - Right	1	1
20			Washer, Nylon (3/4 x 1/4 x 1/32")	1	1
21			Screw, Hex Head (1/4-20 x 1-5/8")	1	1
16	C	1093397-NLA	NLA - Hardware, Arm, Flip-Back - Left	2	1
17			Locknut (1/4-20)	1	1
18			NLA - Tube, Insert	1	1
19			Spacer, Coved - Left	1	1

## Arms, Conventional & Flip Back - Adjustable Height Model #s 19, 19FB, 29, 29FB

Item Number	Note	Part Number	Description	Quantity Per			
				Package	Assembly		
20	G	7100053	Washer, Nylon (3/4 x 1/4 x 1/32")	1	1		
21			Screw, Hex Head (1/4-20 x 1-5/8")	1	1		
			Arm Lock Assembly, Black - Right	1	1		
			Handle, Lock, Black - Right	1	1		
			Rivet, Tubular	1	2		
			Pin, Locking	1	2		
			Spring, Arm Lock	1	2		
			G	7100054	Arm Lock Assembly, Black - Left	1	1
					Handle, Lock, Black - Left	1	1
					Rivet, Tubular	1	2
	Pin, Locking	1			2		
			Spring, Arm Lock	1	2		
NOTE: A - Includes items 2-13. B - Includes items 2-14. C - Includes items 17-21. D - For use on Tracer SX Flip Back arm style only. E - Includes items 3 and 4. F - Specify color when ordering. See category titled, "Upholstery Colors." G - Not shown. Includes items 8-11.							

# Arms, Conventional & Flip-Back - Fixed Height Model #s 08, 18, 18FB, 28 & 28FB



## Arms, Conventional & Flip-Back - Fixed Height Model #s 08, 18, 18FB, 28 & 28FB

Item Number	Note	Part Number	Description	Quantity Per	
				Package	Assembly
1	A	See Chart	Desk Length Arm Kits, Conventional - Fixed Height	1	1
1	A	See Chart	Full Length Arm Kits, Conventional - Fixed Height	1	1
2	B,G	8881127510	Kit, Arm Pad w/Screws - Desk Length	1	1
3			NLA - Arm Pad, Desk Length w/ Law Label	1	1
4			Package, Screw Phillips Pan Head (#10-32 x 1-1/8")	1	2
2	B,G	8881127509	Kit, Arm Pad w/Screws - Full Length	1	1
3			NLA - Pad, Arm, Full Length w/ Law Label	1	1
4			Package, Screw Phillips Pan Head (#10-32 x 1-1/8")	1	2
3	F	1099973-NLA	NLA - Pad, Arm, Full Length	1	1
3	F	1099975-NLA	NLA - Pad, Arm, Desk Length	1	1
4		1111714	Package, Screw Phillips Pan Head (#10-32 x 1-1/8")	1	2
6		40120X001	Screw, Phillips Pan Head (#8-32 x 3/8")	1	4
7	C	1042967	Guard, Clothing, Desk Length, Stainless Steel - Right/ Left	1	1
7	C	1042966	Guard, Clothing, Full Length, Stainless Steel - Right/ Left	1	1
7	D	1078414	Guard, Clothing, Desk Length, Black	1	1
7	D	1078417	Guard, Clothing, Full Length, Black	1	1
8		40188X006	Lock, Spring and Button	1	1
9		1067734	Plug Button, Black (5/8")	1	1
10	A	See Chart	Desk Length Arm Kits, Flip-Back - Fixed Height	1	1
10	A	See Chart	Full Length Arm Kits, Flip-Back - Fixed Height	1	1
11	E	1093241	Kit, Hardware, Arm, Flip-Back - Right	1	1
12			Locknut (1/4-20)	1	1
13			Tube, Insert	1	1
14			Spacer, Coved - Right	1	1
15			Washer, Nylon (3/4 x 1/4 x 1/32")	1	1
16			Screw, Hex Head (1/4-20 x 1-5/8")	1	1
11	E	1093242	Kit, Hardware, Arm, Flip-Back - Left	1	1
12			Locknut (1/4-20)	1	1
13			Tube, Insert	1	1
14			Spacer, Coved - Left	1	1
15			Washer, Nylon (3/4 x 1/4 x 1/32")	1	1
16			Screw, Hex Head (1/4-20 x 1-5/8")	1	1

NOTE: A - Removable assemblies include items 2-9. Non-removable assemblies include items 2-8.  
 B - Includes items 3 and 4.  
 C - For use on Tracer SX, Titan, SX Recliner, DLX, EX, MGI with stainless steel clothing guard and CareGuard Titan.  
 D - For use on MGI with black clothing guard, MG, CareGuard.  
 E - Includes items 12-16.  
 F - For use on CareGuard models only.  
 G - Specify color when ordering. See category titled, "Upholstery Colors."

### Desk Length Arm Kits - Conventional

**Arms, Conventional & Flip-Back - Fixed Height**  
**Model #s 08, 18, 18FB, 28 & 28FB**  
**Desk Length Arm Kits - Conventional**

Chair	Conventional - Right	Conventional - Left
Tracer SX	8881133398	8881133399
	See Note(s) B, C	See Note(s) B, C
Tracer Titan	8881133398	8881133399
	See Note(s) B, C	See Note(s) B, C
Tracer SX Recliner	8881133398	8881133399
	See Note(s) C, B	See Note(s) C, B
Tracer DLX or Tracer EX	8881133398	8881133399
	See Note(s) C	See Note(s) C, B
Invacare MGI with Stainless Steel Clothing Guard	8881133398	8881133399
	See Note(s) C	See Note(s) C, B
Invacare MGI with Black Painted Clothing Guard	8881133402	8881133403
	See Note(s) B, C	See Note(s) C, B
Invacare MG	8881133402	8881133403
	See Note(s) C, B	See Note(s) C, B
CareGuard	8881133402	8881133403
	See Note(s) B, C	See Note(s) B, C
CareGuard Titan (Chrome)	1065746	1065747
	See Note(s) A	See Note(s) A

NOTE: A - Does not include arm pad. Includes items 5-8.  
B - Includes arm pad. Removable assemblies include items 2-9. Non-removable assemblies include items 2-8.  
C - Specify color when ordering. See category titled, "Upholstery Colors."

**Arms, Conventional & Flip-Back - Fixed Height**  
**Model #s 08, 18, 18FB, 28 & 28FB**  
**Desk Length Arm Kits - Flip Back**

Chair	Flip Back Right	Flip Back Left
Tracer SX	8881133400 See Note(s) A, B	8881133401 See Note(s) B, A
Tracer Titan	N/A	N/A
Tracer SX Recliner	N/A	N/A
Tracer DLX or Tracer EX	N/A	N/A
Invacare MGI with Stainless Steel Clothing Guard	N/A	N/A
Invacare MGI with Black Painted Clothing Guard	N/A	N/A
Invacare MG	N/A	N/A
CareGuard	N/A	N/A
CareGuard Titan (Chrome)	N/A	N/A
NOTE: A - Specify color when ordering. See category titled, "Upholstery Colors." B - Includes arm pad. Removable assemblies include items 2-9. Non-removable assemblies include items 2-8.		

# Arms, Conventional & Flip-Back - Fixed Height

## Model #s 08, 18, 18FB, 28 & 28FB

### Full Length Arm Kits - Conventional

Chair	Conventional - Right	Conventional - Left
Tracer SX	8881133404 See Note(s) B, C	8881133405 See Note(s) B, C
Tracer Titan	8881133404 See Note(s) B, C	8881133405 See Note(s) C, B
Tracer SX Recliner	8881133404 See Note(s) C, B	8881133405 See Note(s) C, B
Tracer DLX or Tracer EX	8881133404 See Note(s) B, C	8881133405 See Note(s) B, C
Invacare MGI with Stainless Steel Clothing Guard	8881133404 See Note(s) C, B	8881133405 See Note(s) C, B
Invacare MGI with Black Painted Clothing Guard	8881133406 See Note(s) B, C	8881133407 See Note(s) B, C
Invacare MG	8881133406 See Note(s) C, B	8881133407 See Note(s) B, C
CareGuard	8881133406 See Note(s) B, C	8881133407 See Note(s) C, B
CareGuard Titan (Chrome)	1065756 See Note(s) A	1065757 See Note(s) A
NOTE: A - Does not include arm pad. Includes items 5-8. B - Specify color when ordering. See category titled, "Upholstery Colors." C - Includes arm pad. Removable assemblies include items 2-9. Non-removable assemblies include items 2-8.		

**Arms, Conventional & Flip-Back - Fixed Height**  
**Model #s 08, 18, 18FB, 28 & 28FB**  
**Full Length Arm Kits - Flip-Back**

Chair	Flip-Back - Right	Flip-Back - Left
Tracer SX	1093403 See Note(s) B, A	1093404 See Note(s) A, B
Tracer Titan	N/A	N/A
Tracer SX Recliner	N/A	N/A
Tracer DLX or Tracer EX	N/A	N/A
Invacare MGI with Stainless Steel Clothing Guard	N/A	N/A
Invacare MGI with Black Painted Clothing Guard	N/A	N/A
Invacare MG	N/A	N/A
CareGuard	N/A	N/A
CareGuard Titan (Chrome)	N/A	N/A

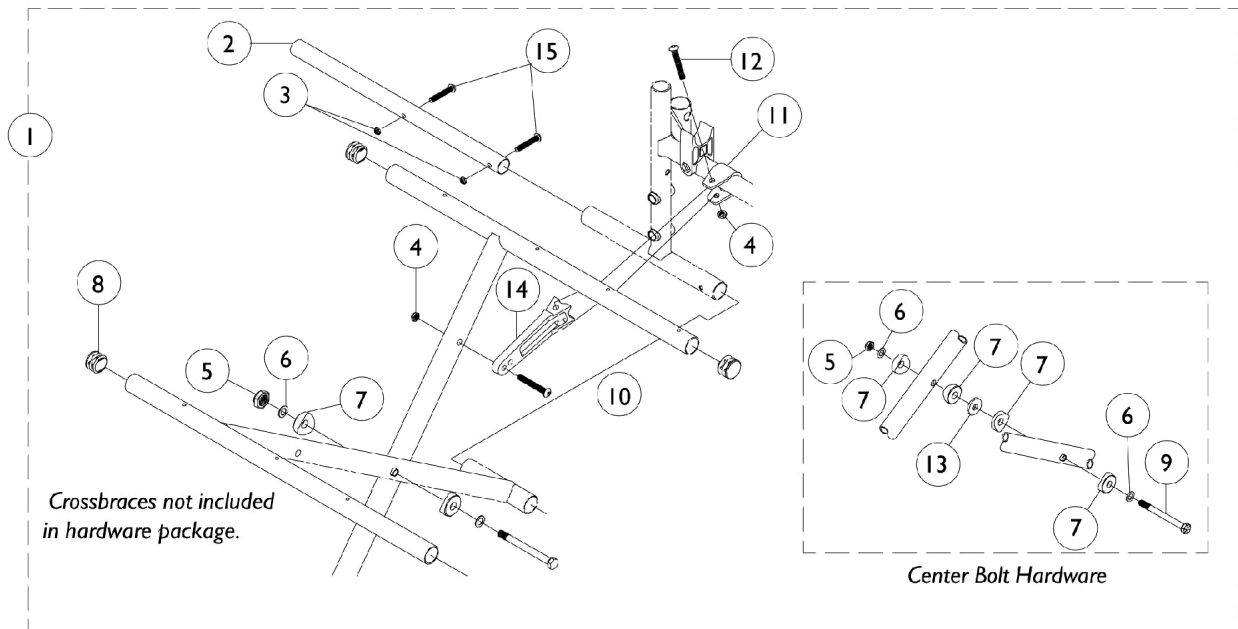
NOTE: A - Does not include arm pad. Includes items 5-9.  
B - Specify color when ordering. See category titled, "Upholstery Colors."



# Crossbraces and Hardware

Tracer DLX (After 3/13/00), Tracer SX and SX Recliner, Tracer and CareGuard Titan

## Crossbrace Hardware



# Crossbraces and Hardware

## Tracer DLX (After 3/13/00), Tracer SX and SX Recliner, Tracer and CareGuard Titan

### Crossbrace Hardware

Item Number	Note	Part Number	Description	Quantity Per	
				Package	Assembly
1	A,B,C,G	1073465-NLA	NLA - Package, Hardware	2	1
1	B,C,H	1070067-NLA	NLA - Package, Hardware	2	1
1	B,C,I	1073466-NLA	NLA - Hardware, Crossbrace	2	1
1	B,D,G	1091735	Package, Hardware	2	1
1	B,D,H	1091736	Package, Hardware	2	1
1	B,D,I	1091737	Package, Hardware	2	1
2	C	1082544	Tube, Insert	1	2
2	D	1078405	Tube, Insert	1	2
3		60279X003	Locknut (#10-32)	1	4
4		60275X000	Locknut (1/4-20)	1	4
5		1107321	Nut, Low Cap (5/16"-24)	1	1
6		1016652	Washer (5/16 x 9/16 x 1/32")	1	2
7		1016263	Spacer, Coved (3/4 x 1 x 1/2")	1	4
8		1029501	Plug Button, Black (1")	1	4
9		1016261	Screw, Hex Head (5/16-24 x 3-1/4")	1	1
10		1001762	Screw, Socket Button Head (1/4-20 x 1-3/4")	1	2
11		1012180	Bracket, Pivot, Black	1	2
12		1008495	Screw, Socket Button Head (1/4-20 x 1-1/2")	1	2
13		1016301	Washer, Nylon (5/16 x 7/8 x 1/8")	1	1
14	A,E,F	1046501	Link, Pivot, Black (14 - 15" W)	1	2
14		1012173	Link, Pivot, Black (16 - 18" W)	1	2
14	E	1018238	Link, Pivot, Black (20 - 22" W)	1	2
15		40183X002	Screw, Phillips Pan Head (#10-32 x 1-1/8")	1	4
		See Chart	Crossbraces and Hardware DLX (After 3/13/00)/SX/SX Recliner/Titan/CareGuard Titan	1	1

NOTE: A - Not Available for Tracer Titan.  
 B - Includes Items 1-14.  
 C - Used on Tracer Titan and CareGuard Titan.  
 D - Used on Tracer DLX (after 3/13/00), Tracer SX, and Tracer SX Recliner.  
 E - Not Available for CareGuard Titan.  
 F - Not Available for Tracer DLX (After 3/13/00).  
 G - 14-15" Wide Chair  
 H - 16-18" Wide Chair  
 I - 20-22" Wide Chair

### Crossbraces without Hardware

Chair Width	Right	Left
14"	1073457-NLA See Note(s) B, A	1073458-NLA See Note(s) A, B
16"	1073460-NLA	1073461-NLA

# Crossbraces and Hardware

## Tracer DLX (After 3/13/00), Tracer SX and SX Recliner, Tracer and CareGuard Titan

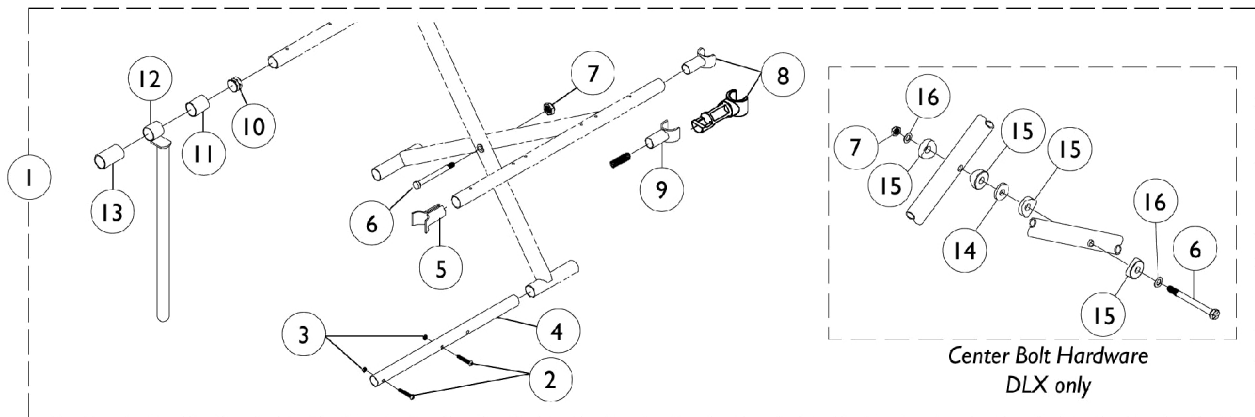
### Crossbraces without Hardware

Chair Width	Right	Left
18"	1070065-NLA	1070066-NLA
20"	1073463 See Note(s) A	1073464 See Note(s) A
22"	1073501 See Note(s) B, A	1073502 See Note(s) A, B
NOTE: A - Not available for CareGuard Titan. B - Not available for DLX Manufactured after 3/13/00 or the Tracer Titan.		

# Crossbraces without Hardware

Tracer EX, Tracer DLX (Before 3/12/00), Invacare MG, Invacare MGI, and CareGuard

## Crossbrace Hardware



## Crossbraces without Hardware

### Tracer EX, Tracer DLX (Before 3/12/00), Invacare MG, Invacare MGI, and CareGuard

#### Crossbrace Hardware

Item Number	Note	Part Number	Description	Quantity Per	
				Package	Assembly
1		See Chart	Hardware Packages	1	1
2		40183X002	Screw, Phillips Pan Head (#10-32 x 1-1/8")	1	4
3		1025732-NLA	NLA - Locknut (#10-24)	1	4
4	D,F,J,K	1017985	Tube, Insert	1	2
4	E,G,I,L	1086351	Tube, Insert	1	2
4	B,C	1078405	Tube, Insert	1	2
5	C,I,J	1058416	Guide, Seat, Front, Black	1	2
6	M	40317X001	Screw, Hex Head (5/16-24 x 2-3/4")	1	1
6	B	1016261	Screw, Hex Head (5/16-24 x 3-1/4")	1	1
7		1107321	Nut, Low Cap (5/16"-24)	1	1
8	M,N	1023617	Guide, Seat, Rear, Black	1	2
8	B	1076127	Guide, Seat	1	2
9	F	04723X003-NLA	NLA - Guide, Seat, Chrome	1	2
9	F	47236X001	Spring, Tension	1	2
10	D,E,F, G	1027095	Plug Button, Black (7/8")	1	2
10	B	1029501	Plug Button, Black (1")	1	2
11	D,E,F, G	47397X019	Spacer (7/8 x 1 x 1")	1	2
12	D,F	1041931-NLA	NLA - Tube, Seat Guide, Chrome (9-1/2" L)	1	2
12	E	1035659-NLA	NLA - Tube, Seat Guide, Chrome (11" L)	1	2
12	G	1085039-NLA	NLA - Tube, Seat Guide, Chrome	1	2
13	D,E,F, G	47397X020	Spacer (7/8 x 1 x 1-3/8")	1	2
14	B	1016301	Washer, Nylon (5/16 x 7/8 x 1/8")	1	1
15	B	1016263	Spacer, Coved (3/4 x 1 x 1/2")	1	4
16	B	1016652	Washer (5/16 x 9/16 x 1/32")	1	2
	A	See Chart	Crossbraces without Hardware	1	1

NOTE: A - Not Shown.  
 B - Used on Tracer DLX Before 3/12/00. (Hardware group #1075870)  
 C - Used on CareGuard Removable Arm and Invacare MG & MGI Fixed Front Frames. (Hardware group #1080050)  
 D - Used on Tracer EX 16-18" Wide Chairs with Removable Arms and "S" Frames or Invacare MG with Removable Arms and "S" Frames. (Hardware group #1064237)  
 E - Used on Tracer EX 16-18" Wide Chairs w/Removable Arms and "Box" Frames or Invacare MG & MGI 14-18" Wide w/Removable Arms and "Box" Frames. (Hardware group #1086353) Chairs need quantity 4 of part number 1086351.  
 F - Used on Tracer EX 20" Wide Chairs w/Removable Arms and "S" Frames or Tracer EX Permanent Arms with "S" Frames. (Hardware group #1078420)  
 G - Used on Tracer EX or Invacare MGI 20" Wide Removable Arms and "Box" Frames. (Hardware group #1085051)  
 I - Used on Tracer EX, Invacare MG, or Invacare MGI Permanent Arms and "Box" Frames. (Hardware group #1086352)  
 J - Used on Invacare MG with Permanent Arms and "S" Frames. (Hardware group #1064169)  
 K - Used on "S" Frame Styles.  
 L - Used on "Box" Frame Styles.  
 M - NOT Used on Tracer DLX Before 3/12/00. (Hardware group #1075870)  
 N - NOT Used on Tracer EX 20" Wide Chairs w/Removable Arms and "S" Frames or Tracer EX Permanent Arms with "S" Frames. (Hardware group #1078420)

## Crossbraces without Hardware

### Tracer EX, Tracer DLX (Before 3/12/00), Invacare MG, Invacare MGI, and CareGuard

#### #1 - Hardware Packages

Chair Model	Chair Width	Arm Type	Frame Style	Hardware Group Part Number
Tracer DLX (Before 3/12/00)	All	All	All	1075870-NLA
CareGuard	All	Removable Arm	All	1080050
Tracer EX	16-18"	Removable Arm	"S" Frame	1064237-NLA
Tracer EX	16-18"	Removable Arm	"Box" Frame	1086353-NLA
Tracer EX	20"	Removable Arm	"S" Frame	1078420-NLA
Tracer EX & Invacare MGI	20"	Removable Arm	"Box" Frame	1085051-NLA
Tracer EX	All	Permanent Arm	"S" Frame	1064169-NLA
Tracer EX	All	Permanent Arm	"Box" Frame	1086352
Invacare MG	All	Removable Arm	"S" Frame	1064237-NLA
Invacare MG & Invacare MGI	14-18"	Removable Arm	"Box" Frame	1086353-NLA
Invacare MG	All	Permanent Arm	"S" Frame	1064169-NLA
Invacare MG & Invacare MGI	All	Permanent Arm	"Box" Frame	1086352
Invacare MG & Invacare MGI	All	Fixed Front Frame	Fixed Front Frame	1080050

# Crossbraces without Hardware

## Tracer EX, Tracer DLX (Before 3/12/00), Invacare MG, Invacare MGI, and CareGuard

### Crossbraces without Hardware

Chair Model	14" Wide Chair	16" Wide Chair	18" Wide Chair	20" Wide Chair
Tracer DLX (Before 3/12/00) Right Crossbrace	N/A	1073460-NLA	1070065-NLA	N/A
Tracer DLX (Before 3/12/00) Left Crossbrace	N/A	1073461-NLA	1070066-NLA	N/A
Tracer EX (Before 3/99) "S" Frame Right Crossbrace	N/A	1075879-NLA	1069719	1075883-NLA
Tracer EX (Before 3/99) "S" Frame Left Crossbrace	N/A	1075880-NLA	1069720	1075884-NLA
Invacare MG (Before 3/99) "S" Frame Right Crossbrace	N/A	1075879-NLA	1069719	N/A
Invacare MG (Before 3/99) "S" Frame Left Crossbrace	N/A	1075880-NLA	1069720	N/A
CareGuard and Invacare MG Fixed Frame (Before 3/99), Axle Lug Inside Right Crossbrace	N/A	1085071	1076604-NLA	N/A
CareGuard and Invacare MG (Before 3/99), Axle Lug Inside Left Crossbrace	N/A	1085072	1076605-NLA	N/A
Invacare MG and MGI  Fixed Frame (After 2/99) Axle Lug Outside Tracer EX and Invacare MG (After 2/99) "Box" Frame Right Crossbrace	1091796-NLA          See Note(s) A	1085071	1082479	1082482

## Crossbraces without Hardware

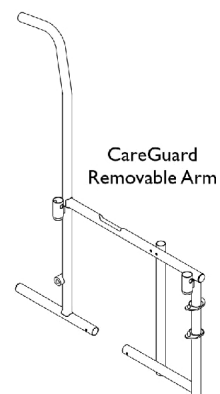
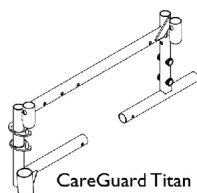
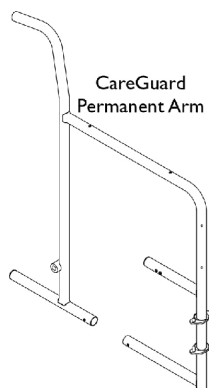
**Tracer EX, Tracer DLX (Before 3/12/00), Invacare MG, Invacare MGI, and CareGuard**

### Crossbraces without Hardware

Chair Model	14" Wide Chair	16" Wide Chair	18" Wide Chair	20" Wide Chair
Invacare MG and MGI  Fixed Frame (After 2/99) Axle Lug Outside Tracer EX and Invacare MG (After 2/99) "Box" Frame Left Crossbrace	1091797-NLA    See Note(s) A	1085072	1082480	1082483
NOTE: A - Used on Invacare MGI Only.				



# Side Frames without Hardware - CareGuard Models



## CareGuard

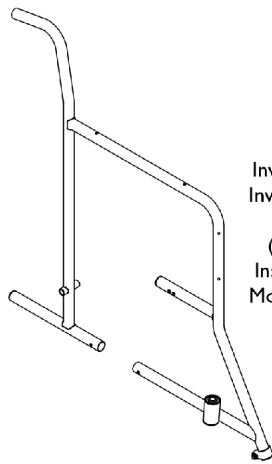
Part Number	Description
1080014-NLA	NLA - Frame, Permanent Arm - Right
1080015-NLA	NLA - Frame, Permanent Arm - Left
1080024-NLA	NLA - Frame, Removable Arm - Right
1080025-NLA	NLA - Frame, Removable Arm - Left

## CareGuard Titan

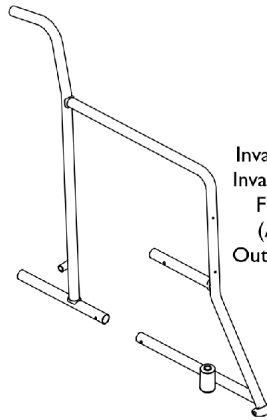
Part Number	Description
1078403-NLA See Note(s) A	NLA - Frame, Removable Arm - Right
1078404-NLA See Note(s) A	NLA - Frame, Removable Arm - Left

NOTE: A - Frames include head tube bearings.

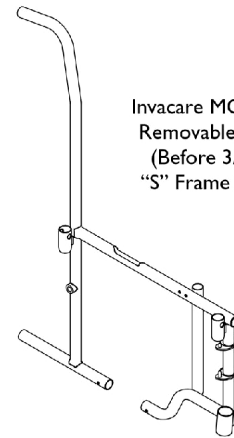
# Side Frames without Hardware - Invacare Models



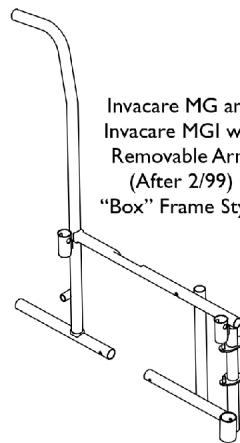
Invacare MG and  
Invacare MGI with  
Fixed Frame  
(Before 3/99)  
Inside Back Tube  
Mounted Axle Lug



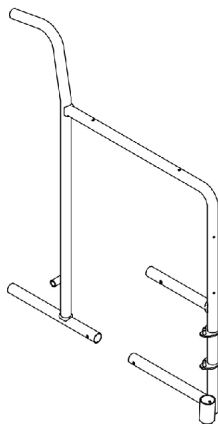
Invacare MG and  
Invacare MGI with  
Fixed Frame  
(After 2/99)  
Outside Mounted  
Axle Lug



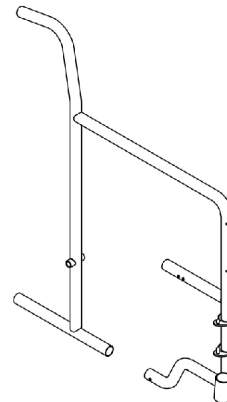
Invacare MG with  
Removable Arm  
(Before 3/99)  
"S" Frame Style



Invacare MG and  
Invacare MGI with  
Removable Arm  
(After 2/99)  
"Box" Frame Style



Invacare MG and  
Invacare MGI with  
Permanent Arm  
(After 2/99)  
"Box" Frame Style



Invacare MG with  
Permanent Arm  
(Before 3/99)  
"S" Frame Style

# Side Frames without Hardware - Invacare Models

## Invacare MGI (International Accounts Only)

Part Number	Description
1086145-NLA See Note(s) A	NLA - Frame, Box Style with Hardware, Permanent Arm, Chrome - Right
1086146-NLA See Note(s) A	NLA - Frame, Box Style with Hardware, Permanent Arm, Chrome - Left
1086149-NLA See Note(s) A	NLA - Frame, Box Style with Hardware, Removable Arm, Chrome - Right
1086150-NLA See Note(s) A	NLA - Frame, Box Style with Hardware, Removable Arm, Chrome - Left
1086147-NLA See Note(s) A	NLA - Frame with Hardware, Outside Mounted Lug, Fixed Frame - Right
1086148-NLA See Note(s) A	NLA - Frame with Hardware, Outside Mounted Lug, Fixed Frame - Left

NOTE: A - Frames include head tube bearings.

## Invacare MG (After 2/99)

Part Number	Description
1086145-NLA See Note(s) A	NLA - Frame, Box Style with Hardware, Permanent Arm, Chrome - Right
1086146-NLA See Note(s) A	NLA - Frame, Box Style with Hardware, Permanent Arm, Chrome - Left
1086149-NLA See Note(s) A	NLA - Frame, Box Style with Hardware, Removable Arm, Chrome - Right
1086150-NLA See Note(s) A	NLA - Frame, Box Style with Hardware, Removable Arm, Chrome - Left
1086147-NLA See Note(s) A	NLA - Frame with Hardware, Outside Mounted Lug, Fixed Frame - Right
1086148-NLA See Note(s) A	NLA - Frame with Hardware, Outside Mounted Lug, Fixed Frame - Left

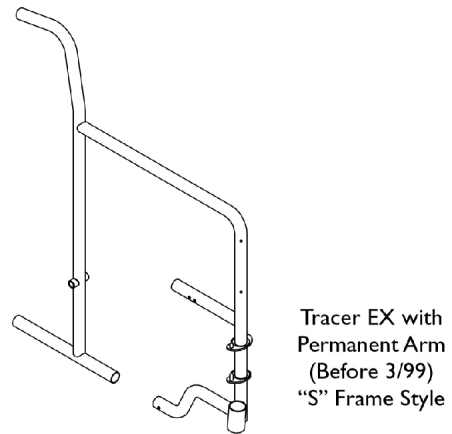
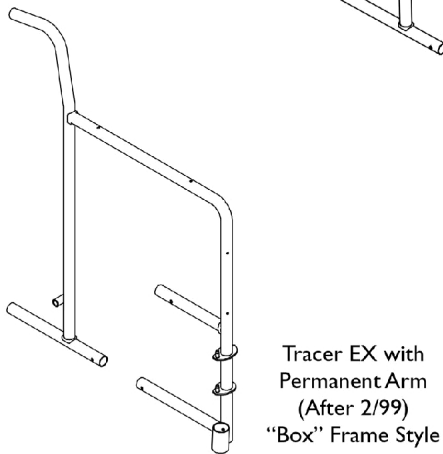
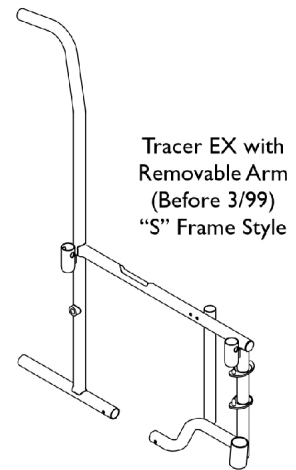
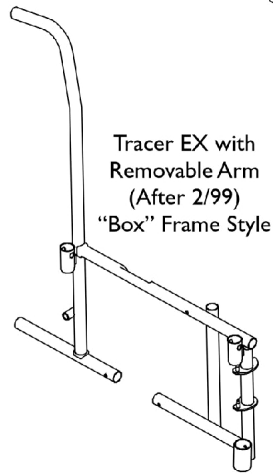
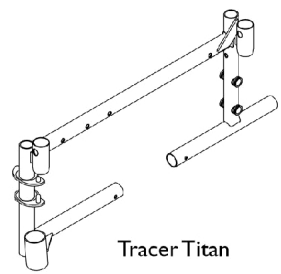
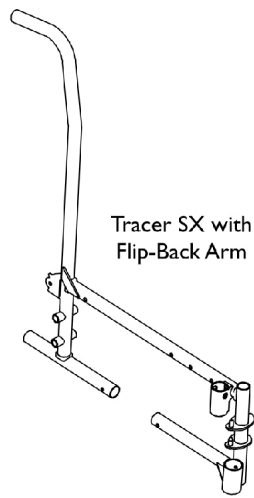
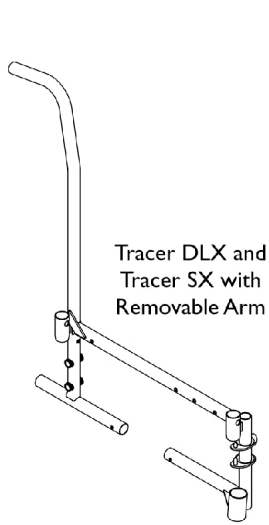
NOTE: A - Frames include head tube bearings.

# Side Frames without Hardware - Invacare Models

## Invacare MG (Before 3/99)

Part Number	Description
1092382-NLA See Note(s) A	NLA - Frame, "S" Style with Hardware, Permanent Arm, Chrome - Right
1092383-NLA See Note(s) A	NLA - Frame, "S" Style with Hardware, Permanent Arm, Chrome - Left
1092384-NLA See Note(s) A	NLA - Frame, "S" Style with Hardware, Removable Arm, Chrome - Right
1092385-NLA See Note(s) A	NLA - Frame, "S" Style with Hardware, Removable Arm, Chrome - Left
1092386-NLA See Note(s) A	NLA - Frame with Hardware, Inside Back Tube Mounted Lug Fixed Frame, Chrome - Right
1092387-NLA See Note(s) A	NLA - Frame with Hardware, Inside Back Tube Mounted Lug Fixed Frame, Chrome - Left
NOTE: A - Frames include head tube bearings.	

# Side Frames without Hardware - Tracer Models



# Side Frames without Hardware - Tracer Models

## Tracer SX

Part Number	Description
1078401-NLA See Note(s) A	NLA - Frame, Removable Arm - Right
1078402-NLA See Note(s) A	NLA - Frame, Removable Arm - Left
1093426-NLA See Note(s) A	NLA - Frame, Side, Flip-Back Arm, Chrome - Right
1093427-NLA See Note(s) A	NLA - Frame, Side, Flip-Back Arm, Chrome - Left

NOTE: A - Frames include head tube bearings.

## Tracer SX Recliner

Part Number	Description
1078403-NLA See Note(s) A	NLA - Frame, Removable Arm - Right
1078404-NLA See Note(s) A	NLA - Frame, Removable Arm - Left

NOTE: A - Frames include head tube bearings.

## Tracer Titan

Part Number	Description
1078403-NLA See Note(s) A	NLA - Frame, Removable Arm - Right
1078404-NLA See Note(s) A	NLA - Frame, Removable Arm - Left

NOTE: A - Frames include head tube bearings.

# Side Frames without Hardware - Tracer Models

## Tracer DLX

Part Number	Description
1075875-NLA See Note(s) A	NLA - Frame, Removable Arm, Chrome - Right
1075876-NLA See Note(s) A	NLA - Frame, Removable Arm, Chrome - Left
NOTE: A - Frames include head tube bearings.	

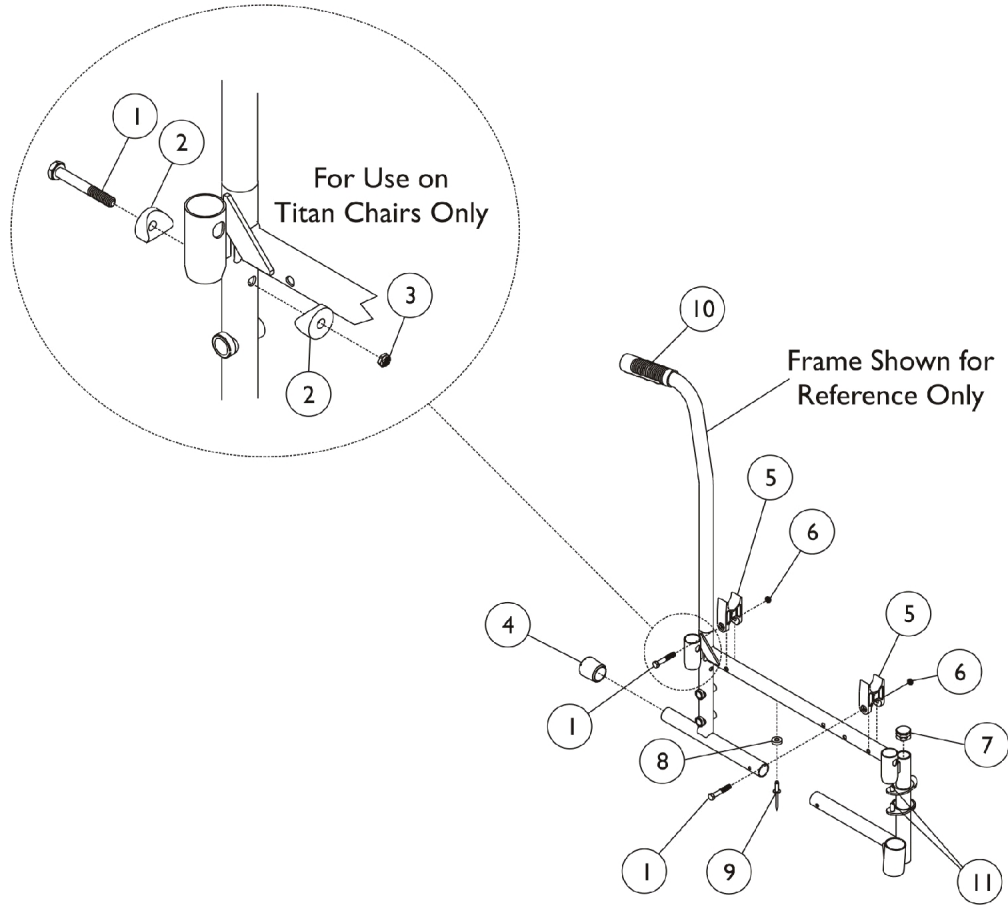
## Tracer EX (After 3/99)

Part Number	Description
1086145-NLA See Note(s) A	NLA - Frame, Box Style with Hardware, Permanent Arm, Chrome - Right
1086146-NLA See Note(s) A	NLA - Frame, Box Style with Hardware, Permanent Arm, Chrome - Left
1086149-NLA See Note(s) A	NLA - Frame, Box Style with Hardware, Removable Arm, Chrome - Right
1086150-NLA See Note(s) A	NLA - Frame, Box Style with Hardware, Removable Arm, Chrome - Left
NOTE: A - Frames include head tube bearings.	

## Tracer EX (Before 2/99)

Part Number	Description
1092382-NLA See Note(s) A	NLA - Frame, "S" Style with Hardware, Permanent Arm, Chrome - Right
1092383-NLA See Note(s) A	NLA - Frame, "S" Style with Hardware, Permanent Arm, Chrome - Left
1092384-NLA See Note(s) A	NLA - Frame, "S" Style with Hardware, Removable Arm, Chrome - Right
1092385-NLA See Note(s) A	NLA - Frame, "S" Style with Hardware, Removable Arm, Chrome - Left
NOTE: A - Frames include head tube bearings.	

# Side Frame Hardware





## Side Frame Hardware

Item Number	Note	Part Number	Description	Quantity Per	
				Package	Assembly
1		7930350-NLA	NLA - Package, Hex Head Screw (1/4-20 x 1-1/2")	25	2
2		1026099	Spacer, Coved (1/4 x 11/16 x 1/2")	1	2
3		7930364-NLA	NLA - Package, Locknut (1/4-20)	25	2
4		1016346	Cap, End, Tube, Black (7/8")	1	1
5	A	1107805	H-Block	1	2
6		7930307-NLA	NLA - Locknut (1/4-20")	25	1
7		1027095	Plug Button, Black (7/8")	1	1
8		16347X000-NLA	NLA - Washer, Nylon (3/16 x 7/16 x 1/8")	1	1
9		16348X000-NLA	NLA - Rivet (3/16 x 7/16")	1	1
11		1096781	Kit, Hinge Pin Replacement Hardware (Pair)	1	1
			NLA - Wrench, Allen (3/32")	1	1
			Cap, Threaded	1	4
			Washer, Locking Split (#10)	1	4
			Screw, Socket Button Head Cap, Regulator (8-32 x 3/8")	1	4
	C,J,K	1074067	Hardware, Frame, Side	2	1
	D,J,K	1074599	Hardware, Frame, Side	2	1
	E,J,K	1041812	Hardware, Frame, Side	2	1
	F,J,K	1041814	Hardware, Frame, Side	2	1
	G,J,K	1074615-NLA	NLA - Hardware, Frame, Side	2	1
	H,J,K	1193616	Kit, Side Frame Hardware, Fixed Frame (Pair)	1	1
10			Grip, Hand (6")	1	2
			NLA - Bag, Poly Zip-Lip (8-3/4" L x 6" W)	1	1
			Instruction Sheet, Hand Grip Service	1	1
	I,J,K	1062227	Hardware, Frame, Side	2	1
		See Chart	Back Canes - Titan and CareGuard Titan Only	1	2

NOTE: A - Used on Tracer Series only - See Crossbrace Hardware for MG Seat guides.  
 C - Used for Tracer DLX (After 3/13/00) and Tracer SX. Includes Items 1, 3, 4, 5, 7, 8, and 9.  
 D - Used for Tracer and CareGuard Titan, and Tracer SX Recliner. Includes Items 1-9.  
 E - Used for Tracer EX with Removable Arms. Includes Items 4, 7 and 10.  
 F - Used for Tracer EX with Permanent Arms. Includes Items 4 and 10.  
 G - Used for Tracer DLX (Before 3/12/00). Includes Items 1, 3, 4, 5 and 7.  
 H - Used for Invacare MG and MGI, and for CareGuard Fixed Frame and Permanent Arm Chairs. Includes Item 10.  
 I - Used for Invacare MG and MGI, and for CareGuard Removable Arm Chairs. Includes Items 7 and 10.  
 J - Includes hardware for both right and left sides.  
 K - Not Shown

### Back Canes - Titan and CareGuard Titan Only

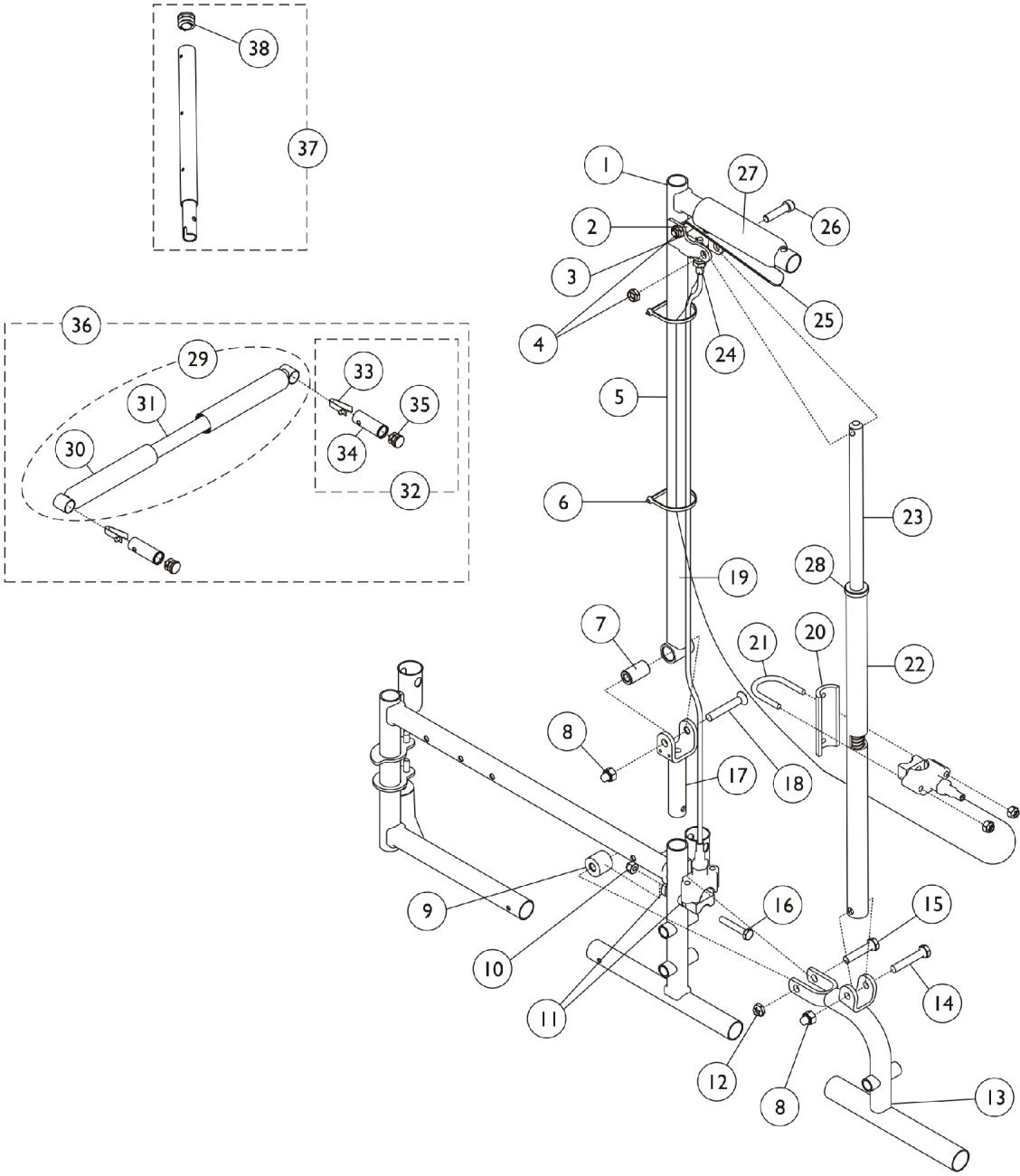
Part Number	Back Height
1076624-NLA	15"
1076627-NLA	16"
1076630-NLA	17"
1076633-NLA	18"
See Note(s) A	

# Side Frame Hardware

## Back Canes - Titan and CareGuard Titan Only

Part Number	Back Height
1076636-NLA See Note(s) A	19"
NOTE: A - Titan Only	

# Frame Hardware - Recliner Back



## Frame Hardware - Recliner Back

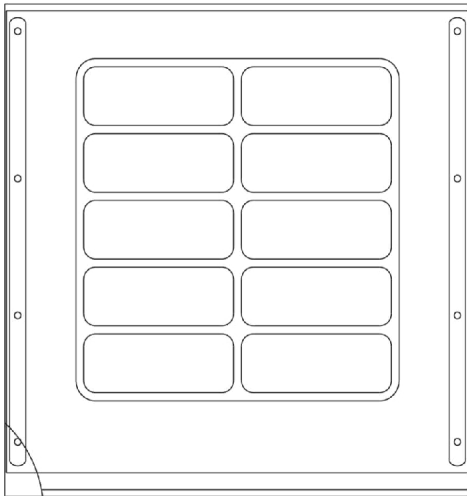
Item Number	Note	Part Number	Description	Quantity Per	
				Package	Assembly
1	A	1074497	Cane Tube Assembly, Rear, Recliner, Black - Right	1	1
1	A	1074498	Cane Tube Assembly, Rear, Recliner, Black - Left	1	1
2		1071676	Fastener, Spring Grip	1	1
3		1021344	Screw, Socket Head (5/16-18 x 1-1/2")	1	1
4		60290X002	Locknut (5/16-18)	1	2
5		1073495	Tube, Back, Black	1	1
6		1021260	Tie Wrap (5-5/8" L)	1	2
7		1058938	Bushing, Pivot (5/16 x 5/8 x 1-1/8")	1	1
8		1060057	Nut, Cap (5/16-24)	1	2
9		47324X011	Bushing, Pivot (5/16 x 7/8 x 3/4")	1	1
10		1008882	Locknut (1/4-20)	1	3
11		1026099	Spacer, Coved (1/4 x 11/16 x 1/2")	1	1
12		1107321	Nut, Low Cap (5/16"-24)	1	1
13		1081095-NLA	NLA - Bracket, Recliner Adapter, Chrome - Right	1	1
13		1081096-NLA	NLA - Bracket, Recliner Adapter, Chrome - Left	1	1
14		11239X000-NLA	NLA - Screw, Hex Head (5/16-24 x 1-3/4")	1	1
15		11239X001	Screw, Hex Head (5/16-24 x 1-1/2")	1	1
16		16720X004	Screw, Hex Head (1/4-20 x 1-1/2")	1	1
17		1073494-NLA	NLA - Bracket, U, Chrome	1	1
18		1058920	Screw, Socket Flat Head (5/16-24 x 2")	1	1
19		1074471	Cable and Housing Assembly	1	1
			Cable Assembly	1	1
			Nut, Hex (5/16"-18)	1	2
			Housing, Support	1	1
			NLA - Spring, Compression (27/64 x 1 x 3/64")	1	1
			NLA - Sector, Threaded	1	1
			Tubing, Heatshrink Adhesive (1-1/2")	1	1
			NLA - Nut, Swivel (5/16-18 x 21/32")	1	1
20		1023329-NLA	NLA - Plate Support	1	1
21		1023328	U-Bolt (1/4-20 x 1-13/16")	1	1
22	J	1086366-NLA	NLA - Tube, Locking, Chrome	1	1
22		1142777	Tube, Locking, Black	1	1
23		1042736	Rod, Locking	1	1
24		1070840-NLA	NLA - Nut, Swivel (5/16-18 x 21/32")	1	1
25		1021085	Lever, Brake Release, Black	1	1
26		1021343	Screw, Socket Head (5/16-18 x 1-1/4")	1	1
27		1061484	Grip, Handle, Foam, Black (5")	1	1
28		1024221	Anti-Rattle, Black	1	1
30	B	1061484	Grip, Handle, Foam, Black (5")	1	2
30	C	1032245	Grip, Foam Hand (6-7/8" L)	1	2
29	D	1088377	Bar Spreader with Grips, Chrome (14" W)	1	1
29	D	1062638-NLA	NLA - Bar, Spreader with Grips, Chrome (16" W)	1	1
29	D,K	1062639-NLA	NLA - Bar, Spreader with Grips, Chrome (18" W)	1	1
29	D,K	1088382-NLA	NLA - Bar Spreader with Grips, Chrome (20" W)	1	1

## Frame Hardware - Recliner Back

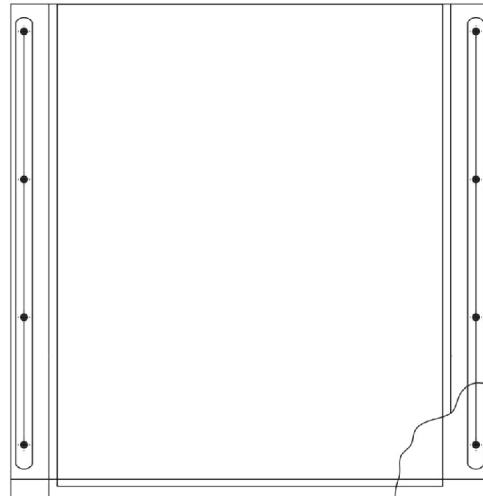
Item Number	Note	Part Number	Description	Quantity Per	
				Package	Assembly
29	D	1088377	Bar Spreader with Grips, Chrome (14" W)	1	1
32	E	1071120	Lock Handle	1	1
33			Button, Single Snap	1	1
34			Insert, Seat Rail	1	1
35			Plug Button, Black (3/4")	1	1
36	F,K	1088378-NLA	NLA - Bar Spreader with Locking Pins, Chrome (14" W)	1	1
36	F,K	1071121-NLA	NLA - Bar, Spreader with Locking Pins, Chrome (16" W)	1	1
36	F,K	1071122-NLA	NLA - Bar, Spreader with Locking Pins, Chrome (18" W)	1	1
36	F,K	1088383-NLA	NLA - Bar, Spreader with Locking Pins, Chrome (20" W)	1	1
36	F,K	1088388-NLA	NLA - Bar, Spreader with Locking Pins, Chrome (22" W)	1	1
36		1182040	Bar, Spreader with Locking Pins, Black (14" W)	1	1
36		1182041	Bar, Spreader with Locking Pins, Black (16" W)	1	1
36		1182042	Bar, Spreader with Locking Pins, Black (18" W)	1	1
36		1182043	Bar, Spreader with Locking Pins, Black (20" W)	1	1
36		1182044	Bar, Spreader with Locking Pins, Black (22" W)	1	1
37	I	1054595-NLA	NLA - Headrest Extension Tube Assembly, Black	1	2
38		1027095	Plug Button, Black (7/8")	1	1
	G,H	1086368-NLA	NLA - Tube Assembly, Locking, Chrome - Right	1	1
	G,H	1086369-NLA	NLA - Tube Assembly, Locking, Chrome - Left	1	1
<p>NOTE: A - Includes Items 2, 5-6, 19, 24, and 27.            B - Used on 14" Wide Chairs.            C - Used on 16 - 22" Wide Chairs.            D - Includes items 30 and 31.            E - Includes items 33-35.            F - Includes items 30-35.            G - Not Shown.            H - Includes Items 1, 4, 7-18, 20-23, 26, and 28.            I - Includes item 38            J - Use 1142777 as a replacement for chrome that is no longer available..            K - Chrome is No Longer Available. Select Item #36 Spreader Bar in Black as a replacement.</p>					

# Back Upholstery

SX / DLX / EX / Titan / CG Titan / CG/MG and MGI



Vinyl-Embossed



Nylon

**Back Upholstery**  
**SX / DLX / EX / Titan / CG Titan / CG/MG and MGI**  
**Back Upholstery Hardware**

Part Number	Description
1041541	Back Hardware, Includes: 12 - Zinc Oval Screws with Washers

**CareGuard**

Width x Height	Vinyl
16 x 15-17"	1090852-NLA
18 x 15-17"	1080039-NLA

**Tracer Titan and CareGuard Titan**

Width x Height	Nylon
16 x 15-19"	1074593 See Note(s) C
18 x 15-19"	1074594 See Note(s) C
20 x 15-19"	1133424 See Note(s) C, B, A
NOTE: A - Used on Tracer Titan Only. B - Kit includes back and upholstery and (12) each screws and washers. C - Specify color when ordering. See category titled, "Upholstery Colors."	

# Back Upholstery

## SX / DLX / EX / Titan / CG Titan / CG/MG and MGI

### Tracer SX

Width x Height	Vinyl	Nylon
14 x 16"	8881133425 See Note(s) B, A	8881133427 See Note(s) A
16 x 16"	8881127475 See Note(s) A, B	8881133428 See Note(s) A
18 x 16"	8881127476 See Note(s) A, B	8881133429 See Note(s) A
20 x 16"	8881127477 See Note(s) A, B	8881133430 See Note(s) A
22 x 16"	8881133426 See Note(s) B, A	8881133431 See Note(s) A
NOTE: A - Kit includes back upholstery and (12) each screws and washers. B - Specify color when ordering. See category titled, "Upholstery Colors."		

### Tracer DLX

Width x Height	Vinyl	Nylon
16 x 16"	8881127475 See Note(s) B, A	8881133428 See Note(s) B
18 x 16"	8881127476 See Note(s) B, A	8881133429 See Note(s) B
20 x 16"	8881127477 See Note(s) B, A	8881133430 See Note(s) B
NOTE: A - Specify color when ordering. See category titled, "Upholstery Colors." B - Kit includes back upholstery and (12) each screws and washers.		



**Back Upholstery**  
**SX / DLX / EX / Titan / CG Titan / CG/MG and MGI**  
**Tracer EX**

Width x Height	Vinyl
16 x 16"	8881133432 See Note(s) B, A
18 x 16" ("S" Style Frame) Before 3/99	8881133433 See Note(s) A, B
18 x 16" ("Box" Style Frame) After 2/99	8881133434 See Note(s) A, B
20 x 16" ("S" Style Frame) Before 3/99	8881133435 See Note(s) B, A
20 x 16" ("Box" Style Frame) After 2/99	8881133436 See Note(s) B, A
NOTE: A - Specify color when ordering. See category titled, "Upholstery Colors." B - Kit includes back upholstery and (12) each screws and washers.	

**Invacare MG and Invacare MGI**

Width x Height	Vinyl
14 x 16"	8881110917 See Note(s) B, A
14 x 16"	1091781-NLA See Note(s) A
16 x 16"	8881091782 See Note(s) B
18 x 16" (Axle Lug Insided)	8881091664 See Note(s) B
18 x 16" (Axle Lug Insided) Before 3/99	1099605-NLA
18 x 16" (Axle Lug Outside) After 2/99	8881091783 See Note(s) B
20 x 16"	8881091784 See Note(s) B, A
NOTE: A - This item is available for the Invacare MGI only. B - Specify color when ordering. See category titled, "Upholstery Colors."	

**Back and Headrest Upholstery**  
**Tracer SX Recliner Only**  
**Back Upholstery Hardware**

Part Number	Description
1035975-NLA	Back Hardware Includes: Quantity of 18-Screw, Oval with Washer (10-16 x 7/8")

**Back Upholstery**

Width	Vinyl
14" W	8881127493 See Note(s) A, B
16" W	8881127494 See Note(s) A, B
18" W	8881127495 See Note(s) A, B
20" W	8881127496 See Note(s) B, A
22" W	8881127497 See Note(s) A, B

NOTE: A - Specify color when ordering. See category titled, "Upholstery Colors, Frame Finishes and Packaging and Literature."  
B - Kit includes back upholstery and (12) each screws and washers.

# Back and Headrest Upholstery

## Tracer SX Recliner Only

### Headrest Upholstery

Width	Vinyl
14" W	8881127518 See Note(s) B, A
16" W	8881127519 See Note(s) A, B
18" W	8881127520 See Note(s) A, B
20" W	8881127521 See Note(s) A, B
22" W	8881127522 See Note(s) B, A
NOTE: A - Specify color when ordering. See category titled, "Upholstery Colors." B - Kit includes back upholstery and (12) each screws and washers.	

### Headrest Pillow

Width	Vinyl
14" W	8881091676 See Note(s) A
16-18" W	8881091677 See Note(s) A
20" W	8881091678 See Note(s) A
22" W	8881091679 See Note(s) A
NOTE: A - Specify color when ordering. See category titled, "Upholstery Colors."	

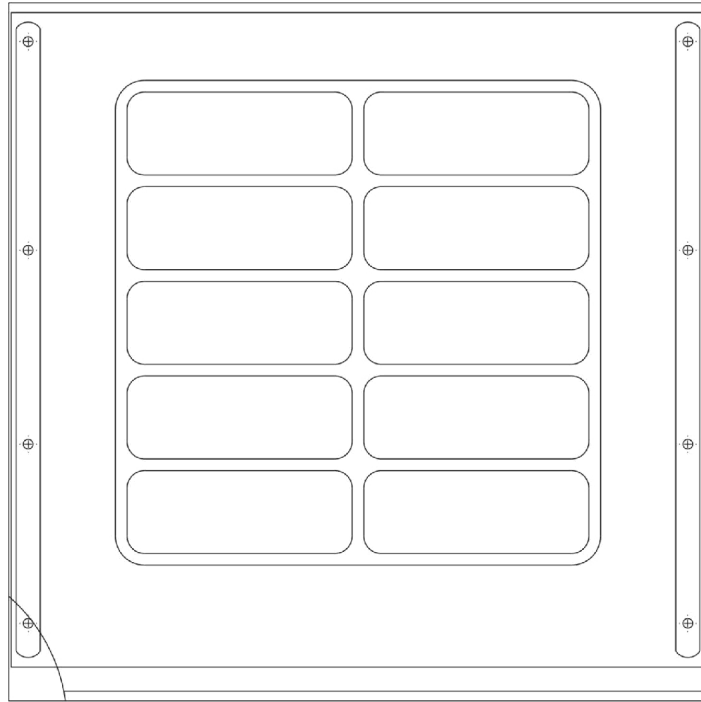
# Back and Headrest Upholstery

## Tracer SX Recliner Only

### Headrest Extension Kit

Width	Vinyl
14" W	8881133384 See Note(s) A
16" W	8881133385 See Note(s) A
18" W	8881133386 See Note(s) A
20" W	8881133387 See Note(s) A
22" W	8881133388 See Note(s) A
NOTE: A - Specify color when ordering, see category titled, "Upholstery Colors."	
NOTE: Includes headrest extension tube, headrest upholstery, recliner pillow and hardware.	

# Seat Upholstery



Vinyl

## Seat Upholstery

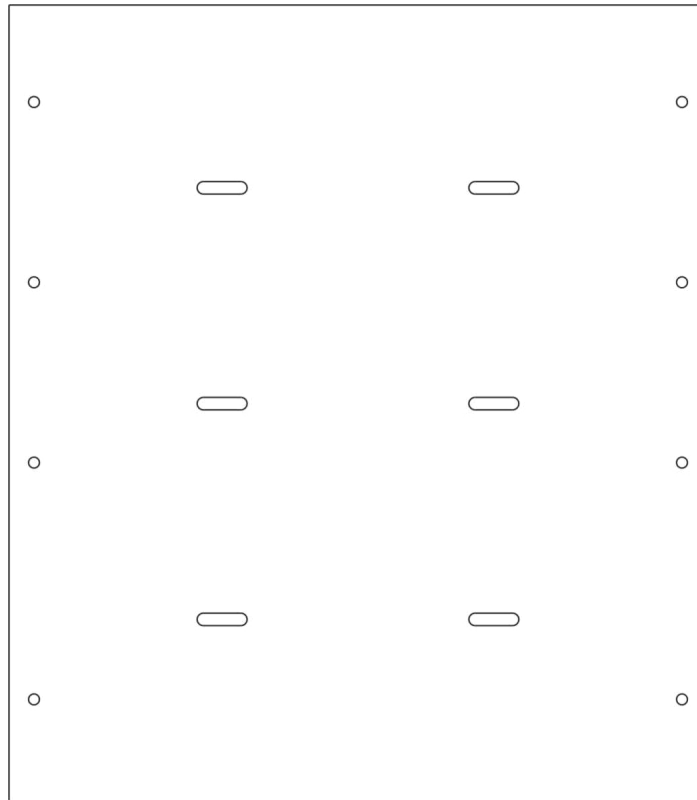
### Tracer DLX (Before 3/12/00)

Width x Depth	Vinyl
16 x 16"	8881127523 See Note(s) A, B
18 x 16"	8881127525 See Note(s) B, A
20 x 16"	8881127527 See Note(s) A, B
NOTE: A - Specify upholstery color when ordering, see category titled, "Upholstery Colors." B - Kit includes seat upholstery and (12) each screws and washers.	

### Tracer EX

Width x Depth	Vinyl
16 x 16"	8881091653 See Note(s) A
18 x 16"	8881091654 See Note(s) A
20 x 16"	8881091655 See Note(s) A
NOTE: A - Specify upholstery color when ordering, see category titled, "Upholstery Colors."	

# Seat Upholstery



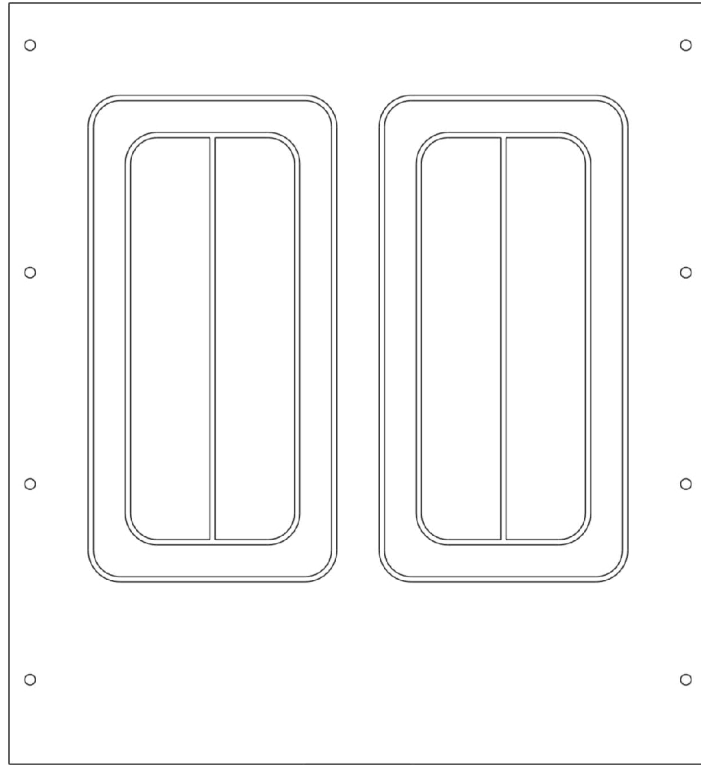
Nylon

**CareGuard Titan and Tracer Titan**

Width x Depth	Nylon
16 x 16"	1127531 See Note(s) A
18 x 16"	1127533 See Note(s) A
20 x 16"	1127535 See Note(s) A

NOTE: A - Kit includes seat upholstery and (12) each screws and washers.

# Seat Upholstery



Vinyl

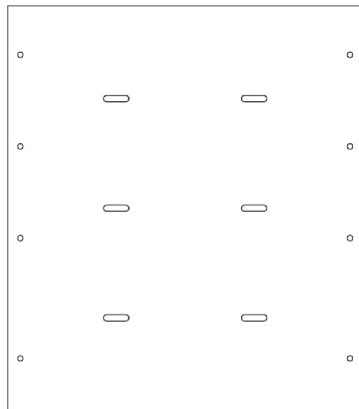


# Seat Upholstery

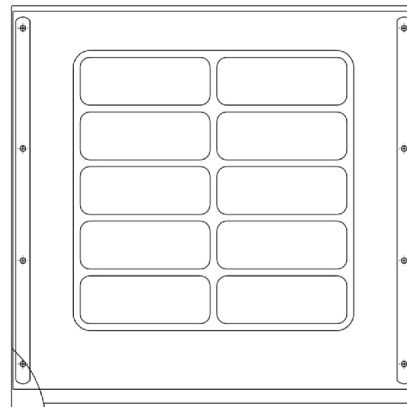
## Invacare MG, Invacare MGI and CareGuard

Width x Depth	Vinyl
14 x 16"	8881110923 See Note(s) A
16 x 16"	8881091786
18 x 16"	8881091787
20 x 16"	8881091655 See Note(s) A

NOTE: A - These items are available for the Invacare MGI only.



Nylon



Vinyl

## Seat Upholstery

**Tracer DLX (After 3/13/00),  
Tracer SX, and Tracer SX Recliner**

Chair W x D	Vinyl	Nylon
14 x 16"	8881127539 See Note(s) C, B	1127529 See Note(s) C
14 x 18"	8881127540 See Note(s) C, A, B	1127530 See Note(s) C
16 x 16"	8881127523 See Note(s) B, C	1127531 See Note(s) C
16 x 18"	8881127524 See Note(s) B, A, C	1127532 See Note(s) C
18 x 16"	8881127525 See Note(s) C, B	1127533 See Note(s) C
18 x 18"	8881127512 See Note(s) A, B, C	1127534 See Note(s) C
20 x 16"	8881127527 See Note(s) C, B	1127535 See Note(s) C
20 x 18"	8881127528 See Note(s) A, B, C	1127536 See Note(s) C
22 x 16"	8881127547 See Note(s) B, C	1127537 See Note(s) C
22 x 18"	8881127548 See Note(s) B, A, C	1127538 See Note(s) C

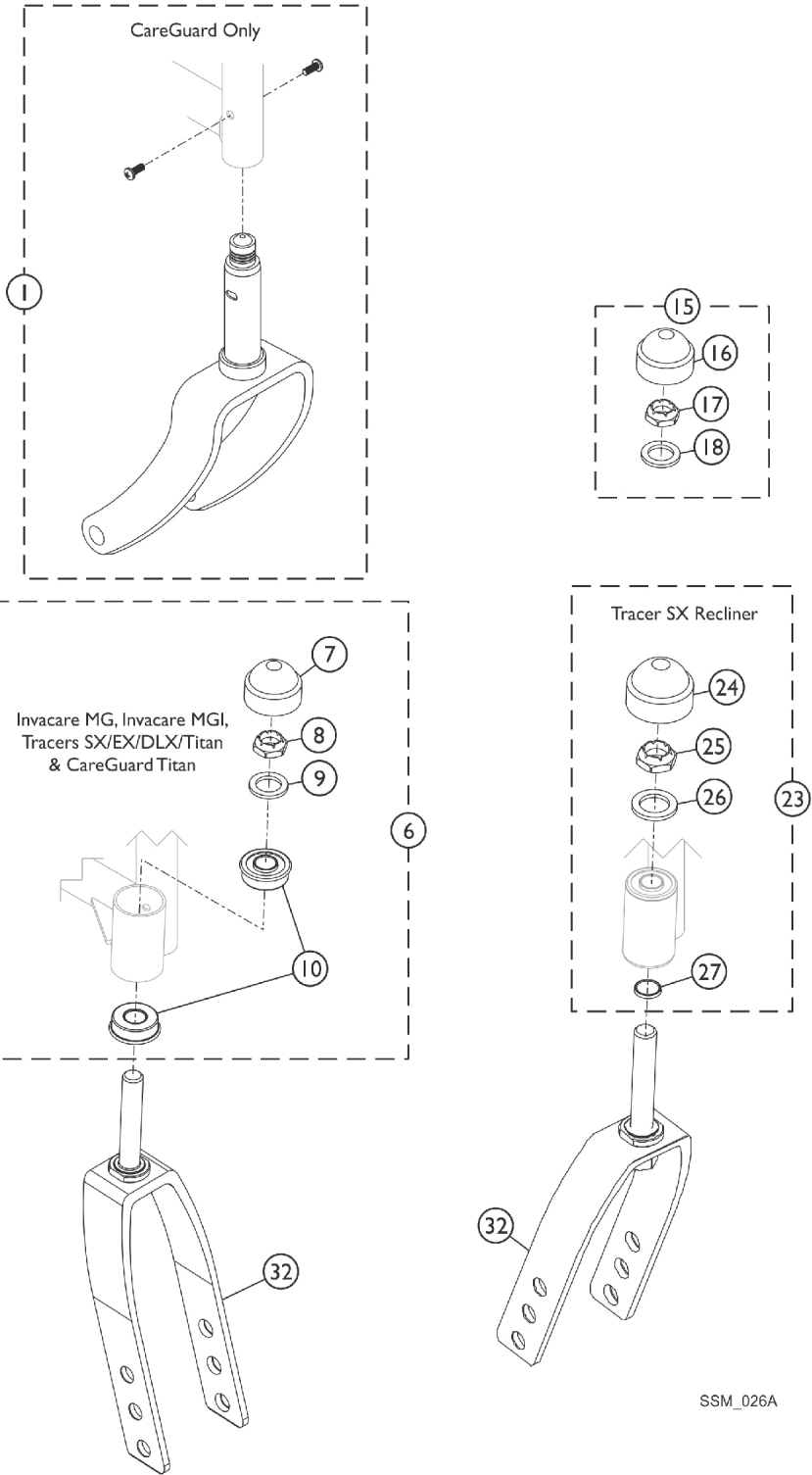
NOTE: A - To achieve 18" seat depth, a 2" seat ext. kit needs to also be ordered.  
 B - Specify upholstery color when ordering, see category titled, "Upholstery Colors."  
 C - Kit includes seat upholstery and (12) each screws and washers.

# Seat Upholstery

## Seat Upholstery Hardware

Part Number	Description
1041541	Seat Hardware, Includes: 12 - Zinc Oval Screws with Washers

# Forks and Hardware

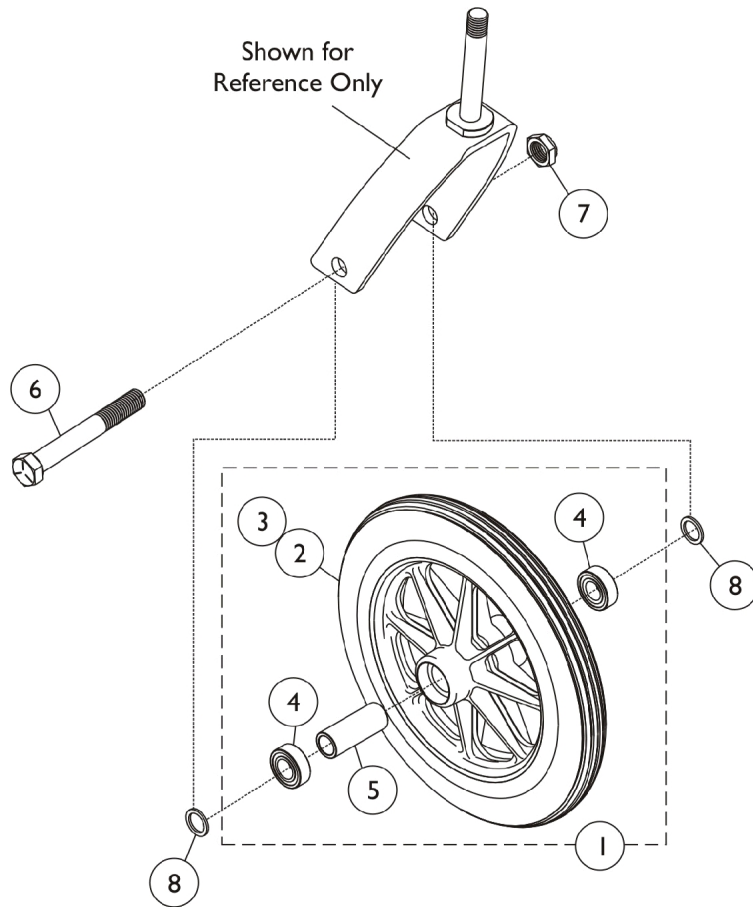


SSM\_026A

## Forks and Hardware

Item Number	Note	Part Number	Description	Quantity Per	
				Package	Assembly
1	A	1080098-NLA	NLA - Fork Assembly	1	1
6	B	1074612	Kit, Fork Hardware (Pair)	1	1
7			Cap, Head Tube, Black	2	1
8			Locknut (1/2-20)	2	1
9			Washer, Nylon (5/8 x 1 x 3/32")	2	1
10			Bearing, Flange (1/2")	4	1
15		1033202	Kit, Fork Hardware (Pair)	1	1
16			Cap, Head Tube, Black	1	2
17			Locknut (1/2-20)	1	2
18			Washer, Nylon (5/8 x 1 x 3/32")	1	2
23		1089104	Kit, Fork Hardware (Pair)	1	1
24			Cap, Head Tube, Black	2	1
25			Locknut (1/2-20)	2	1
26			Washer, Nylon (5/8 x 1 x 3/32")	2	1
27			Washer, Steel (17/32 x 3/4 x 1/32")	2	1
10		1001801	Bearing, Flange (1/2")	2	1
32	E	1037420	Fork and Stem Assembly, Black (6 x 1" Caster)	1	1
32	F	1070817-NLA	NLA - Fork and Stem Assembly (8")	1	1
32	G	1075529	Fork and Stem, Steel, Black (8" Caster)	1	1
32	H	1089103	Fork and Stem, Aluminum, Black (8" Caster)	1	1
	I	1131189	Package, Head Tube Cap	10	1
NOTE: A - Used on CareGuard. B - Includes items 7-10. E - Used on Tracer DLX, EX, SX and Invacare MGI. F - Used on Tracer DLX, SX and Titan. G - Used on Invacare MG, MGI and Tracer EX. H - Used on Tracer SX Recliner. I - Not Shown.					

# Front Casters and Mounting Hardware



# Front Casters and Mounting Hardware

AT902, AT903, 1686, and 1251

Wheel Description	AT902 Dark Grey, Composite, Urethane 3 spoke (6 x 1")	1686 Light Grey, Composite, Urethane (6 x 1")	1251 Light Grey Composite Pneumatic (8 x 2")	AT903 Composite, Urethane (8 x 1-1/4")
1. Wheel Assembly	1034352 See Note(s) C, A	1026956 See Note(s) A	1002002 See Note(s) A	1045813-NLA See Note(s) A
2. Tire	N/A	N/A	40176X034	1038157
3. Tube/ Insert	N/A	N/A	N/A	N/A
4. Bearing	N/A	40117X026	1006049	1010810
5. Hub Spacer	N/A	1026172	1020592	1020592
6. Axle	40317X002	40317X002	57667P007	57667P007
7. Locknut	1107321	1107321	20225X000	20225X000
8. Spacer/ Washer	1053202	1053202	1016032	1016032
Caster Hardware Kits	1061319 See Note(s) B	1034103 See Note(s) B	1034168 See Note(s) B	1055179-NLA See Note(s) B
NOTE: A - Includes items 2-5. B - Includes items 6-8. C - Consists of (2) Casters.				

# Front Casters and Mounting Hardware

1250, 1228, 1255, 1252, and 4252

Wheel Description	1250 Composite Solid Rubber (8 x 1")	1228 Composite Semi-Pneumatic (8 x 1-3/4")	1255 Dark Grey Composite Solid Rubber (8 x 1-1/4")	1252 Composite Pneumatic (8 x 1-1/14")	4252 Composite Pneumatic with Flat Free (3 x 1-1/4")
1. Wheel Assembly	1041591 See Note(s) A	1070811 See Note(s) A	1144243 See Note(s) A	1041692 See Note(s) A	1041688 See Note(s) A
2. Tire	1040144 See Note(s) B	N/A	Available thru kit only.	40176X040	40176X040
3. Tube/ Insert	N/A	N/A	N/A	40176X041	1010904-NLA
4. Bearing	1010810	1006049	Available thru kit only.	1010810	1010810
5. Hub Spacer	1017828	1020592	Available thru kit only.	1020592	1020592
6. Axle	57667P007	57667P007	57667P007	57667P007	57667P007
7. Locknut	20225X000	20225X000	20225X000	20225X000	20225X000
8. Spacer Washer	1016032	1016032	1016032	1016032	1016032
Caster Hardware Kits	1034168 See Note(s) D	1034168 See Note(s) D	1034168 See Note(s) D	1034168 See Note(s) D	1034168 See Note(s) D
NOTE:	A - Includes items 1-5. B - Effective 1/14/05, tire color changed from grey to light grey. Due to change, it is recommended tires be ordered in pairs. D - Includes items 6-8.				



# Front Riggings Quick Reference - Footrest

## Upper Support Assembly

Model Numbers	Chair Width	Support Assembly, Chrome - Right	Support Assembly, Chrome - Left
CG13, TR13	14-20"	1053174-NLA See Note(s) B	1053175-NLA See Note(s) B
CGH13, TRH13	16-18"	1030706-NLA	1030707-NLA
CG15	16-18"	1080035-NLA	1080036-NLA
CGH15	16-18"	1080094-NLA	1080095-NLA
T93AA, T93AC, TLX3A, TLX3C	16-22"	1110340 See Note(s) C	1110341 See Note(s) C
T943A, T943C, T943S TLXH3A, 5LXH3C, TLXH3S	14-18"	1030706-NLA	1030707-NLA
T934A, T94AA, T94AC	16-22"	1110328 See Note(s) C	1110329 See Note(s) C
T93HA/S/C	14-20"	1111274 See Note(s) A	1111275 See Note(s) A
T93HAB, T93HCB, T93HC, T93HA	16-20"	1111272	1111273
NOTE: A - After 10/14/14 color changed from Chrome to Black. It is recommended to order both the right and left side to match. B - TR13 available for MGI International Accounts only. C - Changed from Chrome to Black. It is recommended to order both the right and left side to match.			

### Pivot Slide Tube - CareGuard Series

Model	Chrome w/Composite Footplate - Right	Chrome w/Composite Footplate - Left
CG13	1017233-NLA	1017234-NLA
CGH13	1017224-NLA	1017225-NLA
CG15	N/A See Note(s) A	N/A See Note(s) A
CGH15	N/A See Note(s) A	N/A See Note(s) A
NOTE: A - Footplate and pivot slide tube are included with the upper support assembly.		

# Front Riggings Quick Reference - Footrest

## Pivot Slide Tube - Tracer Series

Footplate Type	TR13 14"	TR13 16-20"	TRH13 16-18"	T943A, T943C, TLXH3A, TLXH3C, T933A, T933C, TLX3A, TLX3C, 16-22"	T93AA, T93AA1350, T933A, T943C, TLXH3A, TLXH3C 16-18"	T943A, T943C, TLXH3A, TLXH3C 20-22"	T943S, TLXH3S
Aluminum -Right	1020232-NLA See Note(s) A	1017243-NLA See Note(s) A	N/A	1017243-NLA	1111287	1017243-NLA	1020232-NLA
Aluminum -Left	1020233-NLA See Note(s) A	1017244-NLA See Note(s) A	N/A	1017244-NLA	1111288	1017244-NLA	1020233-NLA
Composite -Right	N/A	1017224-NLA	1017224-NLA	1017224-NLA	1111291	1017224-NLA	N/A
Composite -Left	N/A	1017225-NLA	1017225-NLA	1017225-NLA	1111292	1017225-NLA	N/A
Extra Large Aluminum -Right	N/A	1031926-NLA See Note(s) A	N/A	1031926-NLA	1110346	1031926-NLA	N/A
Extra Large Aluminum -Left	N/A	1031927-NLA See Note(s) A	N/A	1031927-NLA	1110347	1031927-NLA	N/A
Adjustable Angle -Right	N/A	N/A	N/A	N/A	1062756	1091789-NLA	1060444
Adjustable Angle -Left	N/A	N/A	N/A	N/A	1062757	1091790-NLA	1060445

NOTE: A - These are available for the Invacare MGI ONLY.

## Pivot Slide Tube - Fixed Front Frame

Description	Chrome w/Composite Footplate - Right	Chrome w/Composite Footplate - Left
TR13 - 16-20" / TRH13 - 16-18" T943A / T943C / TLXH3A / TLXH3C / T933A / T933C / TLX3A / TLX3C - 16-22"	1017224-NLA	1017225-NLA
T93AA / T93AA1350 / T933A / T943C / TLXH3A / TLXH3C - 16-18"	1111291	1111292
T943A / T943C / TLXH3A / TLXH3C - 20-22"	1017224-NLA	1017225-NLA

NOTE: Additional support assembly is not needed with fixed front frames.

# Front Riggings Quick Reference - Footrest

## Attaching Hardware

Style	Part Number	Quantity per Package	Quantity Per Footrest (pr)	Quantity Per Legrest (pr)
Spring Button Hardware Kit	1121272 See Note(s) A	2	2	4
Bolt Through Hardware Kit	1101776 See Note(s) A	2	2	2
Tool Kit	1058407 See Note(s) B	1	N/A	N/A
NOTE: A - Kit includes hardware and instruction sheet. B - Kit includes allen wrench, key, and open end wrench.				

# Front Riggings Quick Reference Legrest

## Upper Support Assembly

### Legrest

Prior Model Numbers	Chair Width	Support Assembly Right	Support Assembly Left
AHL4A, AHL4C, AHS4A	14-18"	1041799 See Note(s) A	1041800 See Note(s) A
CG14, TR14	14-18"	1041824 See Note(s) A, B	1041825 See Note(s) A, B
CGH14, TRH14	16-18"	1041822 See Note(s) A	1041823 See Note(s) A
TR12	16-18"	1041820-NLA See Note(s) A, C	1041821-NLA See Note(s) A, C
T94HA/C/S, TLXH4A, TLXH4C	14-22"	1110336 See Note(s) A, E	1110337 See Note(s) A, E
T94HA/C/S, TLXH4S	14-22"	1110338 See Note(s) D, A	1110339 See Note(s) D, A
T934A, T934C, TLX4A, TLX4C, TRP14	16-22"	1041824 See Note(s) A	1041825 See Note(s) A
T94HAB, T94HCB, T94HC, T94HA	14-22"	1110338 See Note(s) A, D	1110339 See Note(s) A, D
T93HAB, T93HCB, T94HA, T94HC	14-22"	1111274 See Note(s) D	1111275 See Note(s) D
NOTE: A - Without Calf Pads. B - TR14 available for MGI International Accounts only. Chrome No longer Available. C - Fixed Frame Only. D - After 10/14/14 color changed from Chrome to Black. It is recommended to order both the right and left side to match. E - Black			

### Pivot Slide Tube - CareGuard

Chrome w/Composite Footplate	CG14, CGH14 16-18"
Right	1017233-NLA
Left	1017234-NLA

# Front Riggings Quick Reference Legrest

## Pivot Slide Tube - Fixed Frame

Footplate Type	TR12
Chrome Pivot Slide Tube w/Aluminium Footplate - Right	1017237-NLA See Note(s) A
Chrome Pivot Slide Tube w/Aluminium Footplate - Left	1017238-NLA See Note(s) A
Chrome Pivot Slide Tube w/Composite Footplate - Right	1017233-NLA
Chrome Pivot Slide Tube w/Composite Footplate - Left	1017234-NLA

NOTE: A - Available for Invacare MGI Accounts ONLY.

## Pivot Slide Tube - Articulating Legrest

Footplate Type	AHL4A, AHL4C 16-18"	AHL4A, AHL4C 20-22"	AHS4A 14"
Aluminum - Right	1023907	1023907	1023905-NLA
Aluminum - Left	1023908	1023908	1023906-NLA
Composite - Right	1023909-NLA	1023909-NLA	N/A
Composite - Left	1023910-NLA	1023910-NLA	N/A
Extra Large Aluminum - Right	1035456	1035456	N/A
Extra Large Aluminum - Left	1035457	1035457	N/A
Adjustable Angle - Right	1091777-NLA	1091779-NLA	1091775-NLA
Adjustable Angle - Left	1091778-NLA	1091780-NLA	1091776-NLA

# Front Riggings Quick Reference Legrest

## Pivot Slide Tube - "T" Series

Footplate Type	TR14 14"	TR14 16-20"	TRH14 16-18" TRP14, T934C 16-20"	T934A, T934C, TLX4A, TLX4C, T944A, T944C, TLXH4A, TLXH4C 16-18"	T934A, T934C, TLX4A, TLX4C, T944A, T944C, TLXH4A, TLXH4C 20-22"	T944C, TRPH14 16-18"	T944S, TLXH4S 14"
Aluminum Right	1020234-NLA See Note(s) A	1017237-NLA See Note(s) A	N/A	1017237-NLA	1017237-NLA	N/A	1020234-NLA
Aluminum Left	1020235-NLA See Note(s) A	1017238-NLA See Note(s) A	N/A	1017238-NLA	1017238-NLA	N/A	1020235-NLA
Composite Right	N/A	1017233-NLA	1017233-NLA	1017233-NLA	1017233-NLA	1017233-NLA	N/A
Composite Left	N/A	1017234-NLA	1017234-NLA	1017234-NLA	1017234-NLA	1017234-NLA	N/A
Extra Large Aluminum Right	N/A	1031934-NLA See Note(s) A	N/A	1031934-NLA	1031934-NLA	N/A	N/A
Extra Large Aluminum Left	N/A	1031935-NLA See Note(s) A	N/A	1031935-NLA	1031935-NLA	N/A	N/A
Adjustable Angle Right	N/A	N/A	N/A	1062756	1091789-NLA	N/A	1060444
Adjustable Angle Left	N/A	N/A	N/A	1062757	1091790-NLA	N/A	1060445

NOTE: A - Available for Invacare MGI Accounts ONLY.

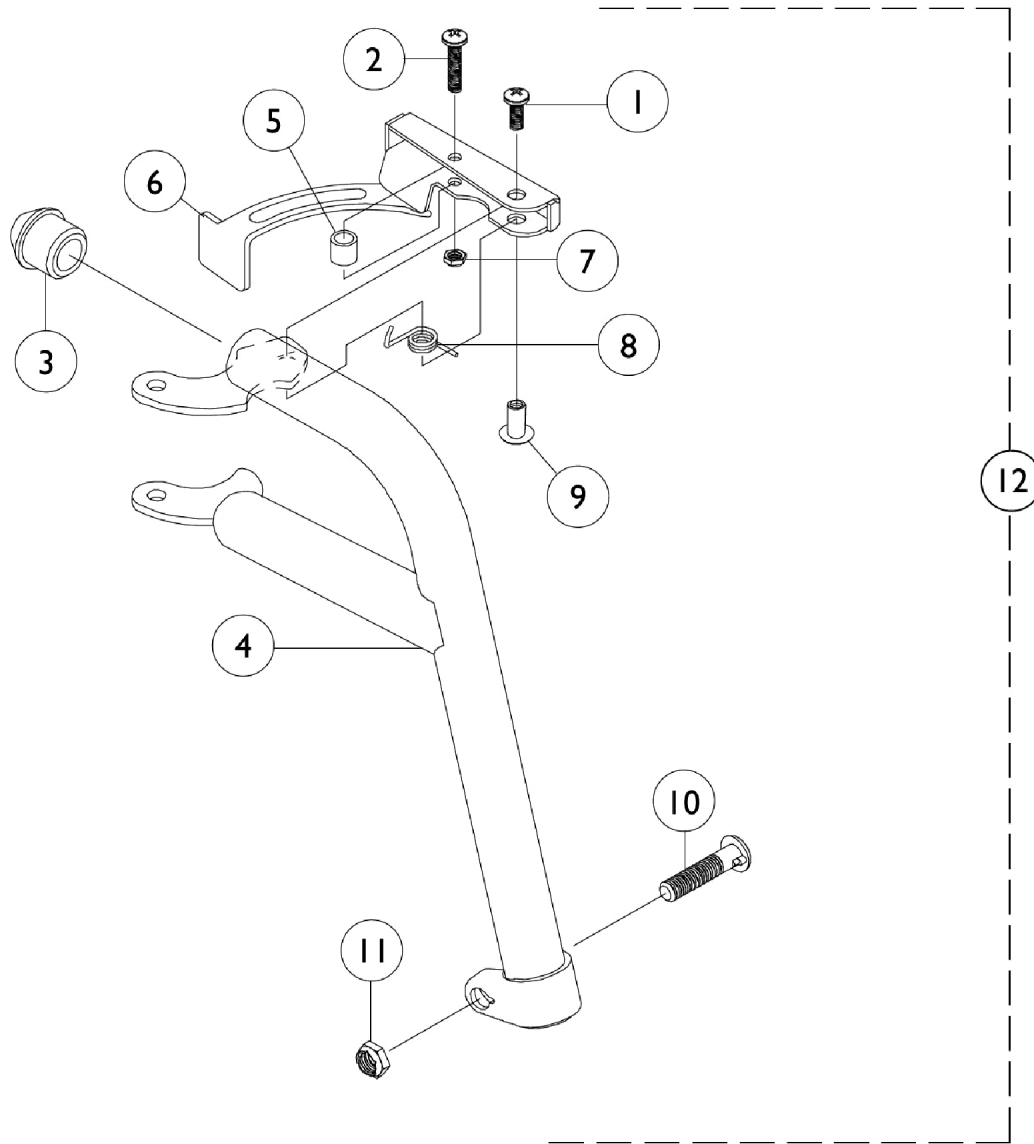
## Attaching Hardware

Style	Part Number	Quantity per Package	Quantity Per Footrest (pr)	Quantity Per Legrest (pr)
Spring Button Hardware Kit	1121272 See Note(s) A	2	2	4
Bolt Through Hardware Kit	1101776 See Note(s) A	2	2	2
Tool Kit	1058407 See Note(s) B	1	N/A	N/A

NOTE: A - Kit includes hardware and instruction sheet  
B - Kit includes allen wrench, key, and open end wrench.

# Footrest Support Assembly

TLXH3A/C, T943A/C, TLXH3S, T943S, TRH13, CGH13



## Footrest Support Assembly

### TLXH3A/C, T943A/C, TLXH3S, T943S, TRH13, CGH13

Item Number	Note	Part Number	Description	Quantity Per	
				Package	Assembly
1		40163X002	Screw, Phillips Round Head (#10-32 x 1/2")	1	1
2		40163X008	Screw, Phillips Pan Head (#10-32 x 11/16")	1	1
3		1020719	Anti-Rattle, Black	1	1
4		1020416-NLA	NLA - Tube, Support, Footrest, Chrome - Right	1	1
4		1020417-NLA	NLA - Tube, Support, Footrest, Chrome - Left	1	1
5		47565X057	Bushing (7/32 x 3/8 x 11/32")	1	1
6		1023428-NLA	NLA - Handle, Release, Black- Right	1	1
6		1023431-NLA	NLA - Handle, Release, Black- Left	1	1
7		60279X003	Locknut (#10-32)	1	1
8		1008935	Spring, Release - Right	1	1
8		1008936	Spring, Release - Left	1	1
9		67005X000	Rivnut (#10-32)	1	1
10		11232X009	Bolt, Lug (5/16-24 x 1-3/8")	1	1
11		1107321	Nut, Low Cap (5/16"-24)	1	1
12	A	See Chart	Item #12 Upper Support Assembly	1	1

NOTE: A - Includes items 1-11.

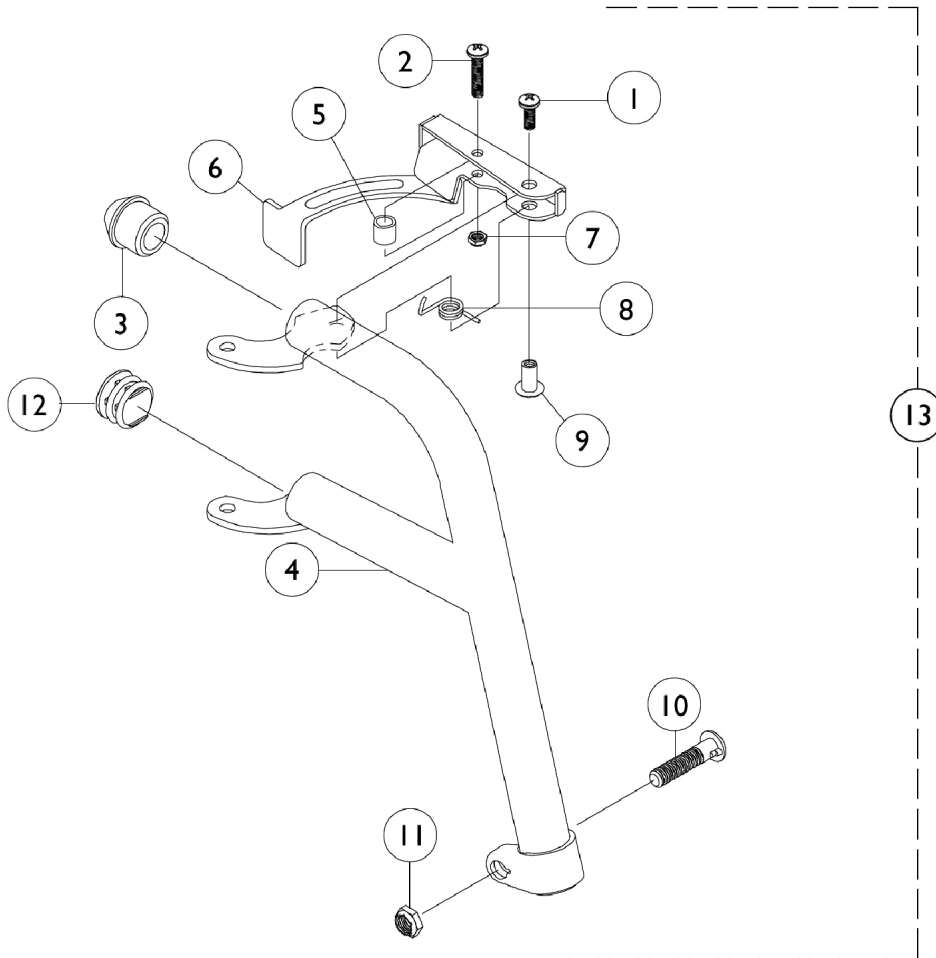
### Item #12 Upper Support Assembly

Model Numbers	Chair Width	Support Assembly Right	Support Assembly Left
T943A, T943C, T943S TLXH3A, 5LXH3C, TLXH3S	14-18"	1030706-NLA	1030707-NLA
CGH13, TRH13	16-18"	1030706-NLA	1030707-NLA



# Footrest Support Assembly

TR13, CG13, T933A/C, TLX3A/C



## Footrest Support Assembly TR13, CG13, T933A/C, TLX3A/C

Item Number	Note	Part Number	Description	Quantity Per	
				Package	Assembly
1		40163X002	Screw, Phillips Round Head (#10-32 x 1/2")	1	1
2		40163X008	Screw, Phillips Pan Head (#10-32 x 11/16")	1	1
3		1020719	Anti-Rattle, Black	1	1
4		1053170-NLA	NLA - Tube, Footrest Support, Adult, Chrome - Right	1	1
4		1053171-NLA	NLA - Tube, Footrest Support, Adult, Chrome - Left	1	1
5		47565X057	Bushing (7/32 x 3/8 x 11/32")	1	1
6		1035539	Handle, Release, Black - Right	1	1
6		1035540	Handle, Release, Black - Left	1	1
7		60279X003	Locknut (#10-32)	1	1
8		1008935	Spring, Release - Right	1	1
8		1008936	Spring, Release - Left	1	1
9		67005X000	Rivnut (#10-32)	1	1
10		11232X009	Bolt, Lug (5/16-24 x 1-3/8")	1	1
11		1107321	Nut, Low Cap (5/16"-24)	1	1
12		1027095	Plug Button, Black (7/8")	1	1
13	A	See Chart	Item #13 Upper Support Assembly	1	1

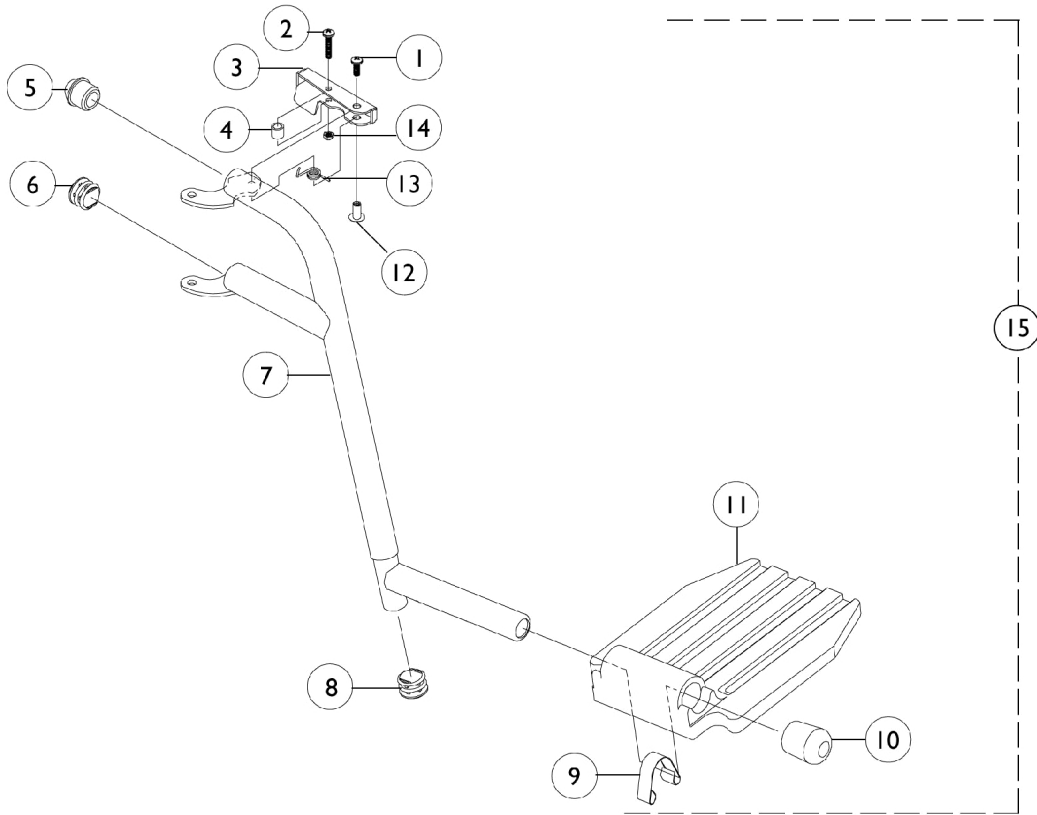
NOTE: A - Includes items 1-12.

### Item #13 Upper Support Assembly

Model Numbers	Chair Width	Support Assembly Right	Support Assembly Left
CG13, TR13	14-20"	1053174-NLA	1053175-NLA
T93AA, T93AC,	16-22"	1110340	1110341
TLX3A, TLX3C	16-22"	See Note(s) B 1053174-NLA	See Note(s) B 1053175-NLA

NOTE: B - Color changed from Chrome to Black.

# Footrest Support Assembly - CG15

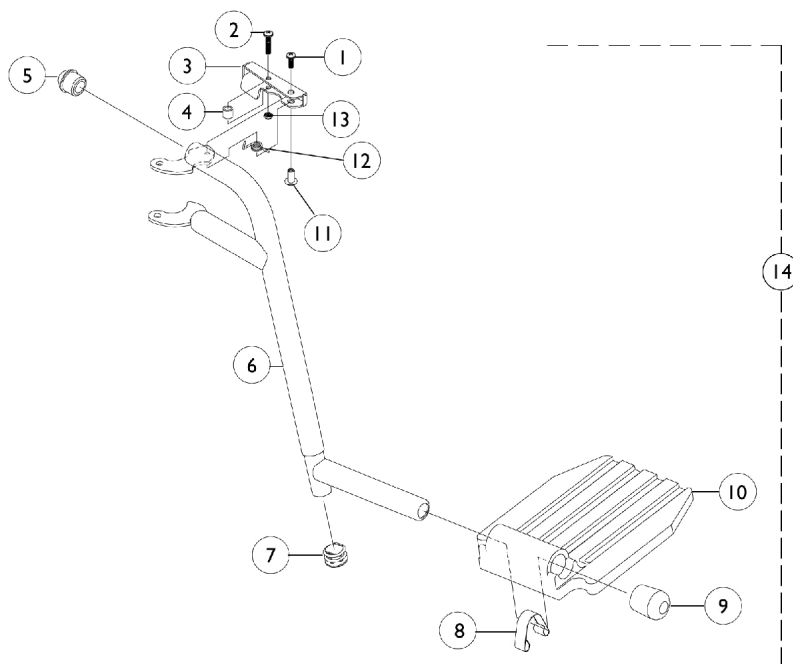


## Footrest Support Assembly - CG15

Item Number	Note	Part Number	Description	Quantity Per	
				Package	Assembly
1		40163X002	Screw, Phillips Round Head (#10-32 x 1/2")	1	1
2		40163X008	Screw, Phillips Pan Head (#10-32 x 11/16")	1	1
3		1033305-NLA	NLA - Handle, Release, Chrome - Right	1	1
3		1033306-NLA	NLA - Handle, Release, Chrome - Left	1	1
4		47565X057	Bushing (7/32 x 3/8 x 11/32")	1	1
5		1020719	Anti-Rattle, Black	1	1
6		1027095	Plug Button, Black (7/8")	1	1
7		1080033	Tube, Footrest Support, Adult, Chrome - Right	1	1
7		1080034-NLA	NLA - Tube, Footrest Support, Adult, Chrome - Left	1	1
8		1027097	Plug Button, Black (3/4")	1	1
9		1006981	Spring, Tension	1	1
10		1016346	Cap, End, Tube, Black (7/8")	1	1
11		1015178	Footplate, Composite, Black (6" W x 7-53/64" L)	1	1
12		67005X000	Rivnut (#10-32)	1	1
13		1008935	Spring, Release - Right	1	1
13		1008936	Spring, Release - Left	1	1
14		60279X003	Locknut (#10-32)	1	1
15	A	1080035-NLA	NLA - Footrest Support Assembly, Adult, Chrome - Right	1	1
15	A	1080036-NLA	NLA - Footrest Support Assembly, Adult, Chrome - Left	1	1

NOTE: A - Includes items 1-14.

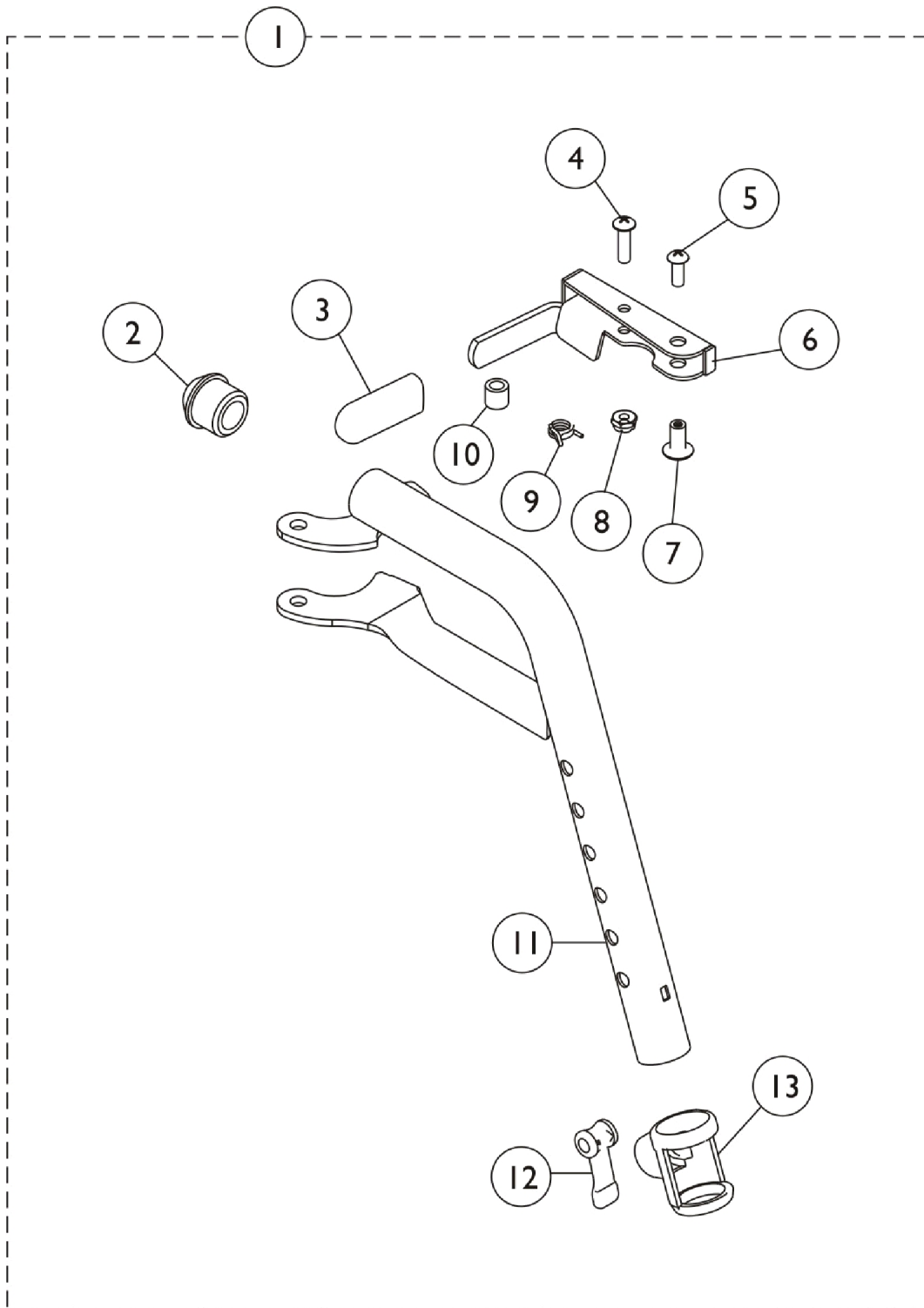
## Footrest Support Assembly - CGH15



Item Number	Note	Part Number	Description	Quantity Per	
				Package	Assembly
1		40163X002	Screw, Phillips Round Head (#10-32 x 1/2")	1	1
2		40163X008	Screw, Phillips Pan Head (#10-32 x 11/16")	1	1
3		1033305-NLA	NLA - Handle, Release, Chrome - Right	1	1
3		1033306-NLA	NLA - Handle, Release, Chrome - Left	1	1
4		47565X057	Bushing (7/32 x 3/8 x 11/32")	1	1
5		1020719	Anti-Rattle, Black	1	1
6		1080092-NLA	NLA - Tube, Footrest Support, Hemi, Chrome - Right	1	1
6		1080093-NLA	NLA - Tube, Footrest Support, Hemi, Chrome - Left	1	1
7		1027097	Plug Button, Black (3/4")	1	1
8		1006981	Spring, Tension	1	1
9		1016346	Cap, End, Tube, Black (7/8")	1	1
10		1015178	Footplate, Composite, Black (6" W x 7-53/64" L)	1	1
11		67005X000	Rivnut (#10-32)	1	1
12		1008935	Spring, Release - Right	1	1
12		1008936	Spring, Release - Left	1	1
13		60279X003	Locknut (#10-32)	1	1
14	A	1080094-NLA	NLA - Footrest Support Assembly, Hemi, Chrome - Right	1	1
14	A	1080095-NLA	NLA - Footrest Support Assembly, Hemi, Chrome - Left	1	1

NOTE: A - Includes items 1-13.

# Footrest Support Assembly - T93H Series



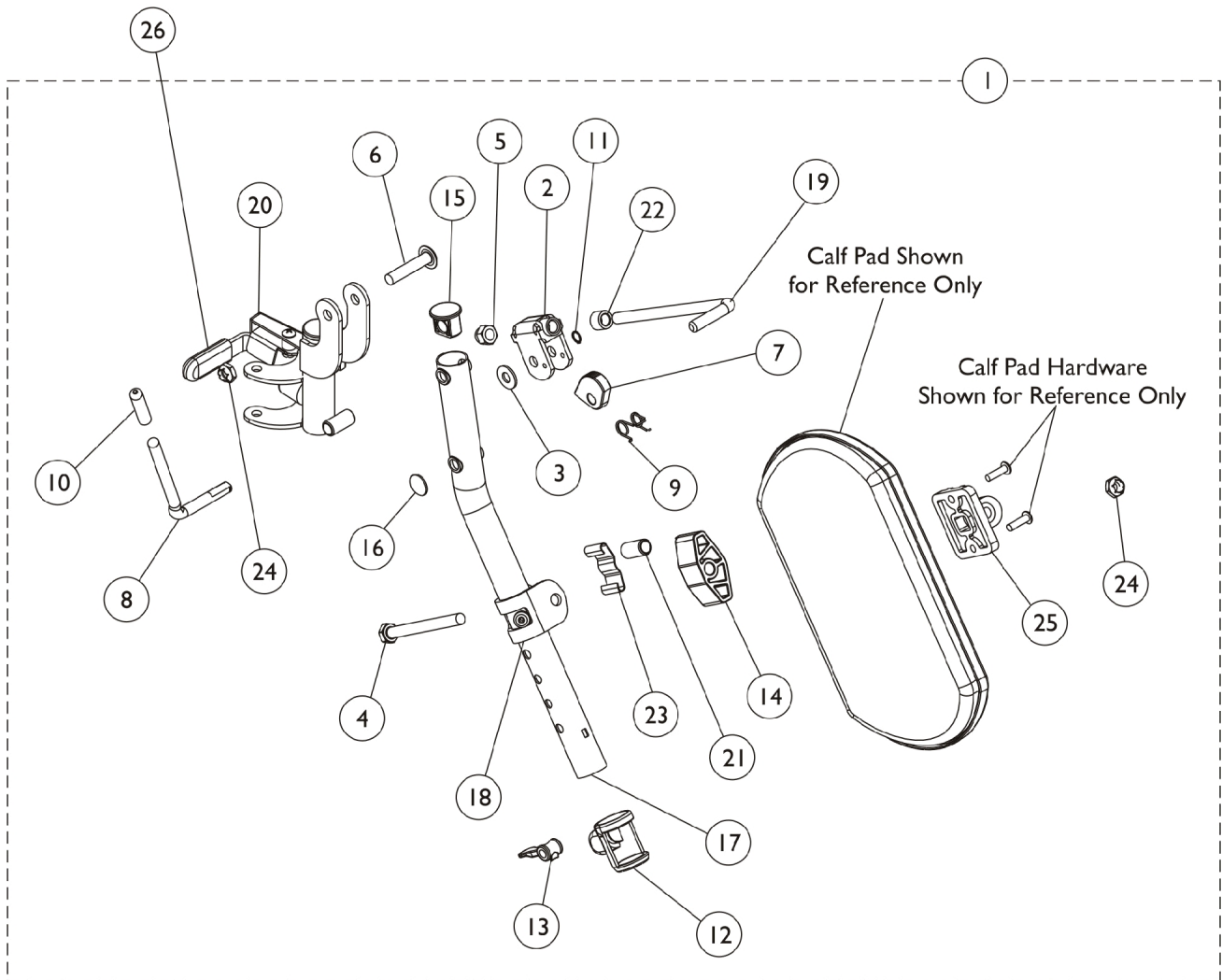
## Footrest Support Assembly - T93H Series

Item Number	Note	Part Number	Description	Quantity Per	
				Package	Assembly
1	A	1111274	Footrest Support Assembly, Hemi, Black - Right	1	1
1	A	1111275	Footrest Support Assembly, Hemi, Black - Left	1	1
2		1020719	Anti-Rattle, Black	1	1
3		1006490	Tip, Plastic, Black	1	1
4		40163X008	Screw, Phillips Pan Head (#10-32 x 11/16")	1	1
5		40163X002	Screw, Phillips Round Head (#10-32 x 1/2")	1	1
6	B	1110176-NLA	NLA - Handle, Release, Chrome - Right	1	1
6	B	1110177-NLA	NLA - Handle, Release, Chrome - Left	1	1
6	C	1110178	Handle, Release, Black - Right	1	1
6	C	1110179	Handle, Release, Black - Left	1	1
7		67005X000	Rivnut (#10-32)	1	1
8		60279X003	Locknut (#10-32)	1	1
9		1008935	Spring, Release - Right	1	1
9		1008936	Spring, Release - Left	1	1
10		47565X057	Bushing (7/32 x 3/8 x 11/32")	1	1
11	B	1111270-NLA	NLA - Tube, Footrest Support, Hemi, Chrome - Right	1	1
11	B	1111271-NLA	NLA - Tube, Footrest Support, Hemi, Chrome - Left	1	1
11	C	1111268	Tube, Footrest, Support, Hemi, Black - Right	1	1
11	C	1111269	NLA - Tube, Footrest, Support, Hemi, Black - Left	1	1
12		1048086	Lever, Cam, Black	1	1
13		1048085	Housing, Cam	1	1

NOTE: A - Includes Items 2-13. After 10/14/14 color changed from Chrome to Black. It is recommended to order both the right and left side to match.  
 B - Before 10/15/14 color was Chrome  
 C - After 10/14/14 color is Black

# Legrest Support Assembly

## T94H/TLXH4 Series





## Legrest Support Assembly T94H/TLXH4 Series

Item Number	Note	Part Number	Description	Quantity Per	
				Package	Assembly
1	A	See Chart	Item #1 Upper Support Assembly	1	1
2		1110308	Bracket, Release, Black	1	1
3		1013519	Washer, Nylon (5/16 x 11/16 x 1/16")	1	1
4		1014807	Screw, Hex Head (5/16-24 x 3-1/4")	1	1
5		10261X000	Nut, Acorn (5/16-24)	1	1
6		1030948	Screw, Slotted Truss Head (5/16-24 x 1-1/2")	1	1
7		1037125	Cam, Legrest	1	1
8		1037126	Handle, Release	1	1
9		1037485	Spring, Release	1	1
10		1040060	Tip, Plastic, Black	1	1
11		1040831	Ring, Snap	1	1
12		1048085	Housing, Cam	1	1
13		1048086	Lever, Cam, Black	1	1
14		1091220	Spacer, Legrest	1	1
15		1095433	Plug Button, Black (7/8")	1	1
16		1096773	Nut, Push Dome (5/16")	1	1
17	C	1110165-NLA	NLA - Tube, Elevating Support, Chrome - Right	1	1
17		1110166-NLA	NLA - Tube, Elevating Support, Chrome - Left	1	1
17		1110163	Tube, Elevating Support, Black - Right	1	1
17	C	1110164-NLA	NLA - Tube, Elevating Support, Black - Left	1	1
18		1110208-NLA	NLA - Bracket, Calf Pad Mounting, Chrome	1	1
18		1110207	Bracket, Calf Pad Mounting, Black	1	1
19		42326X001	Bar, Ratchet	1	1
20	B	1110334-NLA	NLA - Legrest Support Tube Assembly, Hemi, Black - Right	1	1
20	B	1110335	Legrest Support Tube Assembly, Hemi, Black - Left	1	1
20	B,C	1110332-NLA	NLA - Legrest Support Tube Assembly, Hemi, Black - Right	1	1
20	B	1110333	Legrest Support Tube Assembly, Hemi, Black - Left	1	1
21		47328X003	Bushing, Pivot (5/16 x 7/16 x 7/8")	1	1
22		47330X003	Spacer (5/16 x 1/2 x 3/8")	1	1
23		48823X008	Spring, Leaf	1	1
24		60264X001	Locknut (5/16-24)	1	2
25		04526X019	Plate, Legrest Pad	1	1
26		1006490	Tip, Plastic, Black	1	1
26		1127688	Package, Plastic Tip, Black	10	1

NOTE: A - Includes items 2-25.  
 B - Assembly includes: tip, bumper, screws, plug, spring, nuts, handle release, legrest support and bushing.  
 C - No longer available as a service part individually. Order item #1 as a replacement.

# Legrest Support Assembly

## T94H/TLXH4 Series

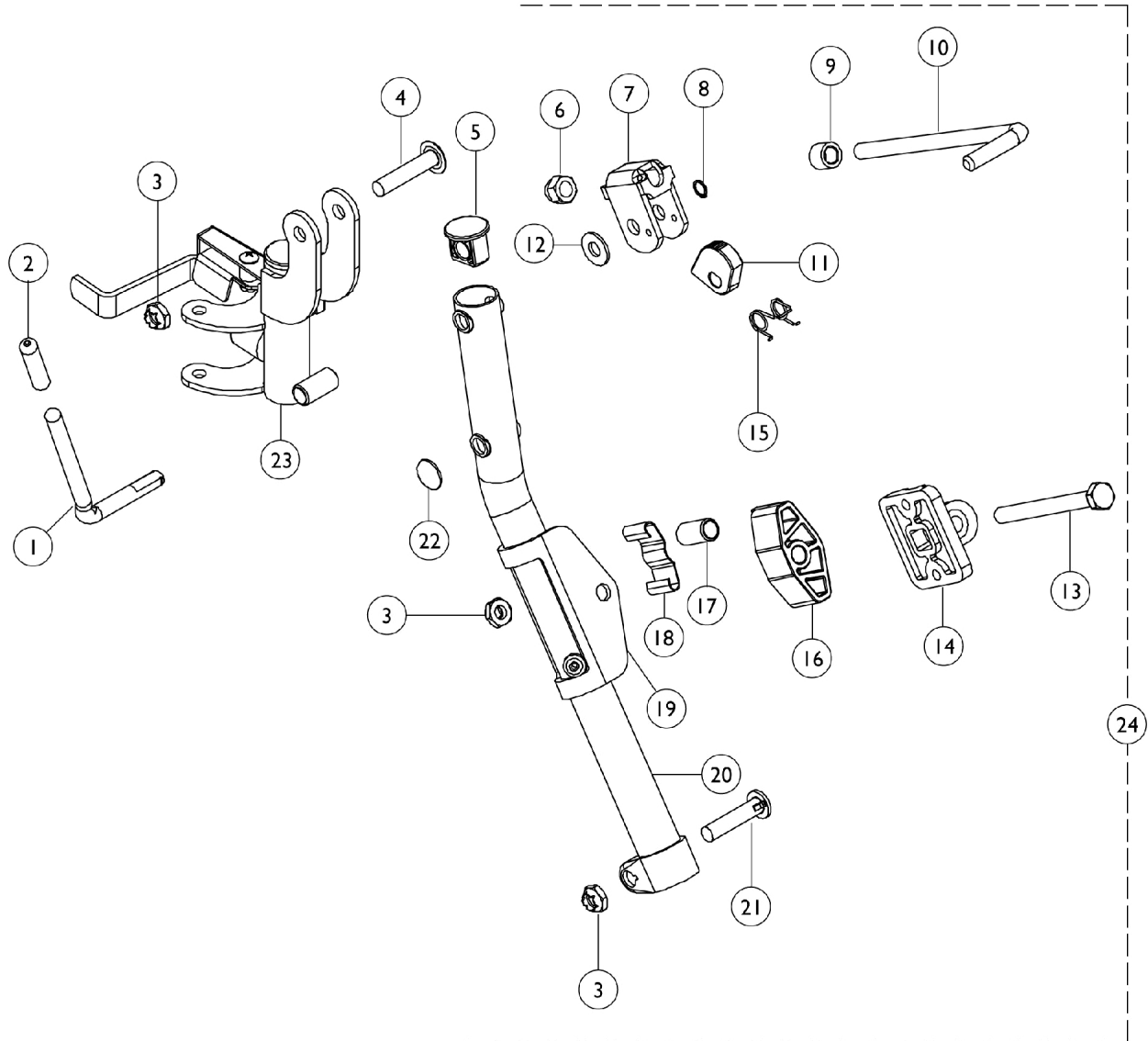
### Item #1 Upper Support Assembly

#### Legrest

Prior Model Numbers	Chair Width	Support Assembly Right	Support Assembly Left
T94HA/C/S, TLXH4A, TLXH4C - Black	14-22"	1110336 See Note(s) A, B	1110337 See Note(s) A, B
T94HA/C/S, TLXH4A, TLXH4C - Black	14-22"	1110338 See Note(s) C	1110339 See Note(s) C
NOTE: A - Without Calf Pads. B - Black C - After 10/14/14 color changed from Chrome to Black. It is recommended to order both the right and left side to match.			

# Legrest Support Assembly

T944A/C, T944S, TRH14, TRPH14, CGH14



## Legrest Support Assembly

### T944A/C, T944S, TRH14, TRPH14, CGH14

Item Number	Note	Part Number	Description	Quantity Per	
				Package	Assembly
1		1037126	Handle, Release	1	1
2		1040060	Tip, Plastic, Black	1	1
3		1107321	Nut, Low Cap (5/16"-24)	1	3
4		1030948	Screw, Slotted Truss Head (5/16-24 x 1-1/2")	1	1
5		1095433	Plug Button, Black (7/8")	1	1
6		10261X000	Nut, Acorn (5/16-24)	1	1
7		04528X002	Bracket, Release, Black	1	1
8		1040831	Ring, Snap	1	1
9		47330X003	Spacer (5/16 x 1/2 x 3/8")	1	1
10		42326X001	Bar, Ratchet	1	1
11		1037125	Cam, Legrest	1	1
12		1013519	Washer, Nylon (5/16 x 11/16 x 1/16")	1	1
13		1014807	Screw, Hex Head (5/16-24 x 3-1/4")	1	1
14		04526X019	Plate, Legrest Pad	1	1
15		1037485	Spring, Release	1	1
16		1091220	Spacer, Legrest	1	1
17		47328X003	Bushing, Pivot (5/16 x 7/16 x 7/8")	1	1
18		48823X008	Spring, Leaf	1	1
19		1025104	Bracket, Legrest, Chrome	1	1
20	A	1095434-NLA	NLA - Tube, Support, Chrome - Right	1	1
20	A	1095435-NLA	NLA - Tube, Support, Chrome - Left	1	1
21		11232X009	Bolt, Lug (5/16-24 x 1-3/8")	1	1
22		1096773	Nut, Push Dome (5/16")	1	1
23		1031356-NLA	NLA - Legrest Support Tube Assembly, Hemi, Chrome - Right	1	1
23		1031357-NLA	NLA - Legrest Support Tube Assembly, Hemi, Chrome - Left	1	1
24	B,C D	1046328-NLA See Chart	NLA - Kit, Ratchet Item #24 Upper Support Assembly	2 1	1 1

NOTE: A - Due to product improvement, item #5 must also be ordered.  
 B - Includes items 1-2, 6-10, 12, and 15.  
 C - Not shown  
 D - Includes items 1-23. See chart titled, "Upper Support Assembly."

### Item #24 Upper Support Assembly

#### Legrest

Prior Model Numbers	Chair Width	Support Assembly Right	Support Assembly Left
CGH14, TRH14 - Chrome	16-18"	1041822 See Note(s) B, A	1041823 See Note(s) B, A
T944A, T944C - Chrome	14-22"	1031360-NLA See Note(s) B, A	1031361-NLA See Note(s) A, B

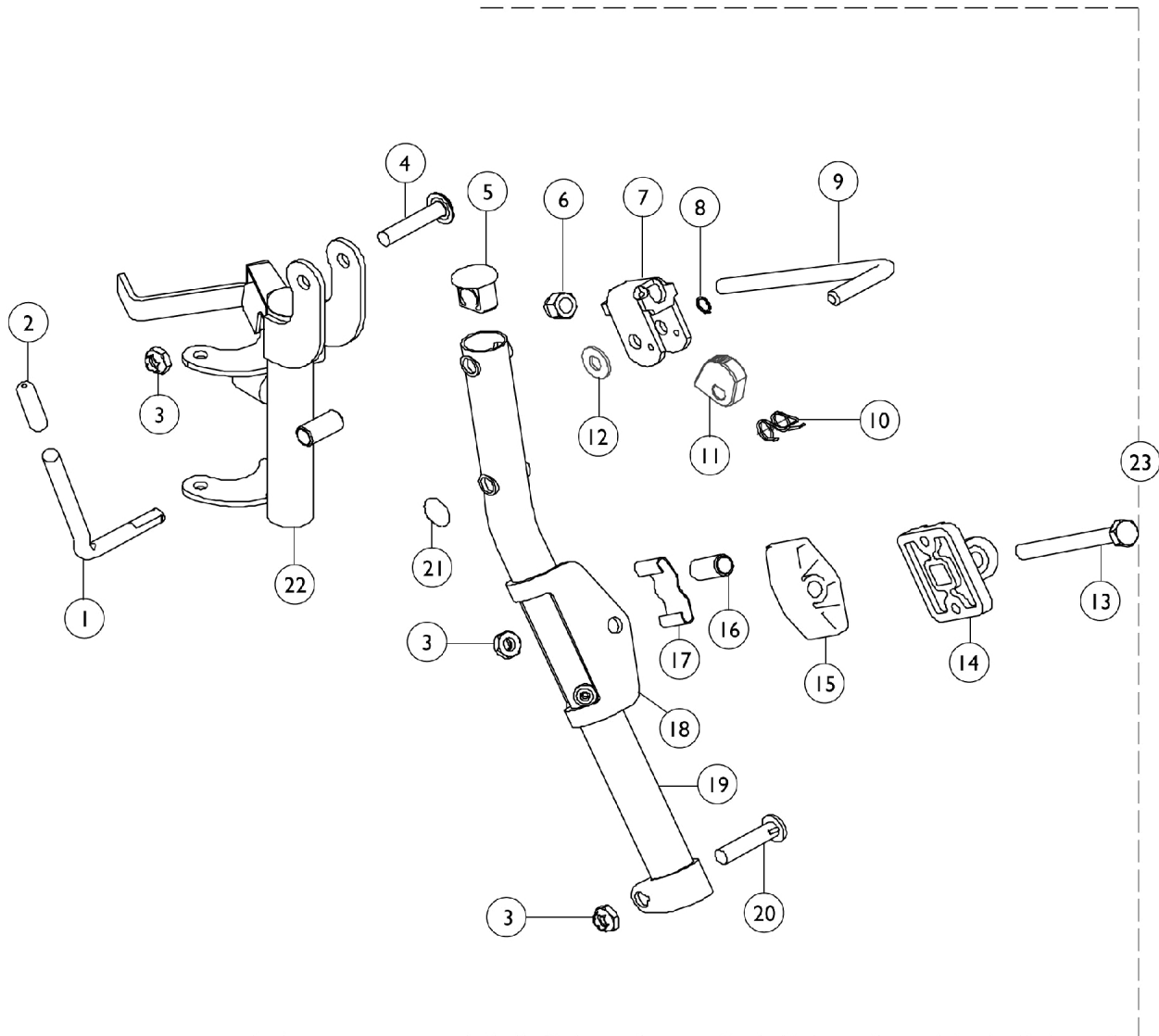
# Legrest Support Assembly

## T944A/C, T944S, TRH14, TRPH14, CGH14

NOTE: A - Without Calf Pads.  
B - Chrome

# Legrest Support Assembly

TR14, TRP14, CG14, TLX4A/C, T934A/C



## Legrest Support Assembly TR14, TRP14, CG14, TLX4A/C, T934A/C

Item Number	Note	Part Number	Description	Quantity Per	
				Package	Assembly
1		1037126	Handle, Release	1	1
2		1040060	Tip, Plastic, Black	1	1
3		1107321	Nut, Low Cap (5/16"-24)	1	3
4		1030948	Screw, Slotted Truss Head (5/16-24 x 1-1/2")	1	1
5		1095433	Plug Button, Black (7/8")	1	1
6		10261X000	Nut, Acorn (5/16-24)	1	1
7		04528X002	Bracket, Release, Black	1	1
8		1040831	Ring, Snap	1	1
9		42326X001	Bar, Ratchet	1	1
10		1037485	Spring, Release	1	1
11		1037125	Cam, Legrest	1	1
12		1013519	Washer, Nylon (5/16 x 11/16 x 1/16")	1	1
13		1014807	Screw, Hex Head (5/16-24 x 3-1/4")	1	1
14		04526X019	Plate, Legrest Pad	1	1
15		1091220	Spacer, Legrest	1	1
16		47328X003	Bushing, Pivot (5/16 x 7/16 x 7/8")	1	1
17		48823X008	Spring, Leaf	1	1
18		1025104	Bracket, Legrest, Chrome	1	1
19	A	1095434-NLA	NLA - Tube, Support, Chrome - Right	1	1
19	A	1095435-NLA	NLA - Tube, Support, Chrome - Left	1	1
20		11232X009	Bolt, Lug (5/16-24 x 1-3/8")	1	1
21		1096773	Nut, Push Dome (5/16")	1	1
22		1031581-NLA	NLA - Legrest Support Tube Assembly, Adult, Black - Right	1	1
22		1031582	Legrest Support Tube Assembly, Adult, Black - Left	1	1
	B	1046328-NLA	NLA - Kit, Ratchet	2	1
23	C	See Chart	Item #23 Upper Support Assembly	1	1

NOTE: A - Due to product improvement, item #5 must also be ordered.  
 B - Includes items 1-2, 6-10, and 12.  
 C - Includes items 1-22.

### Item #23 Upper Support Assembly

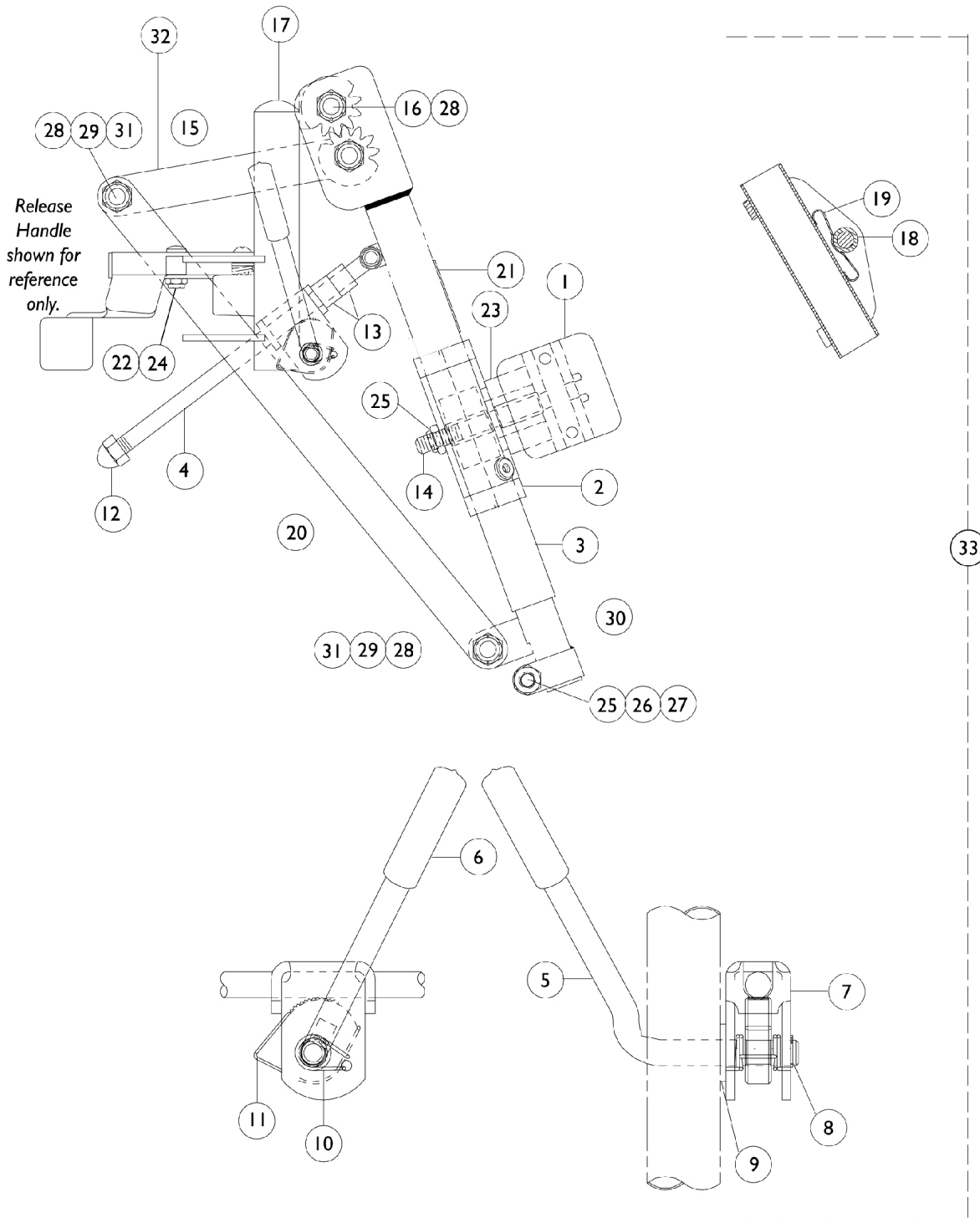
#### Legrest

Prior Model Numbers	Chair Width	Support Assembly Right	Support Assembly Left
CG14, TR14 - Black	14-18"	1041824 See Note(s) A, B	1041825 See Note(s) B, A
T934A, T934C, TLX4A, TLX4C, TRP14 - Black	16-22"	1041824 See Note(s) A	1041825 See Note(s) A

NOTE: A - Without Calf Pads.  
 B - TR14 available for MGI International Accounts only.

# Legrest Support Assembly

## AHL4A, AHL4C, AHS4





## Legrest Support Assembly AHL4A, AHL4C, AHS4

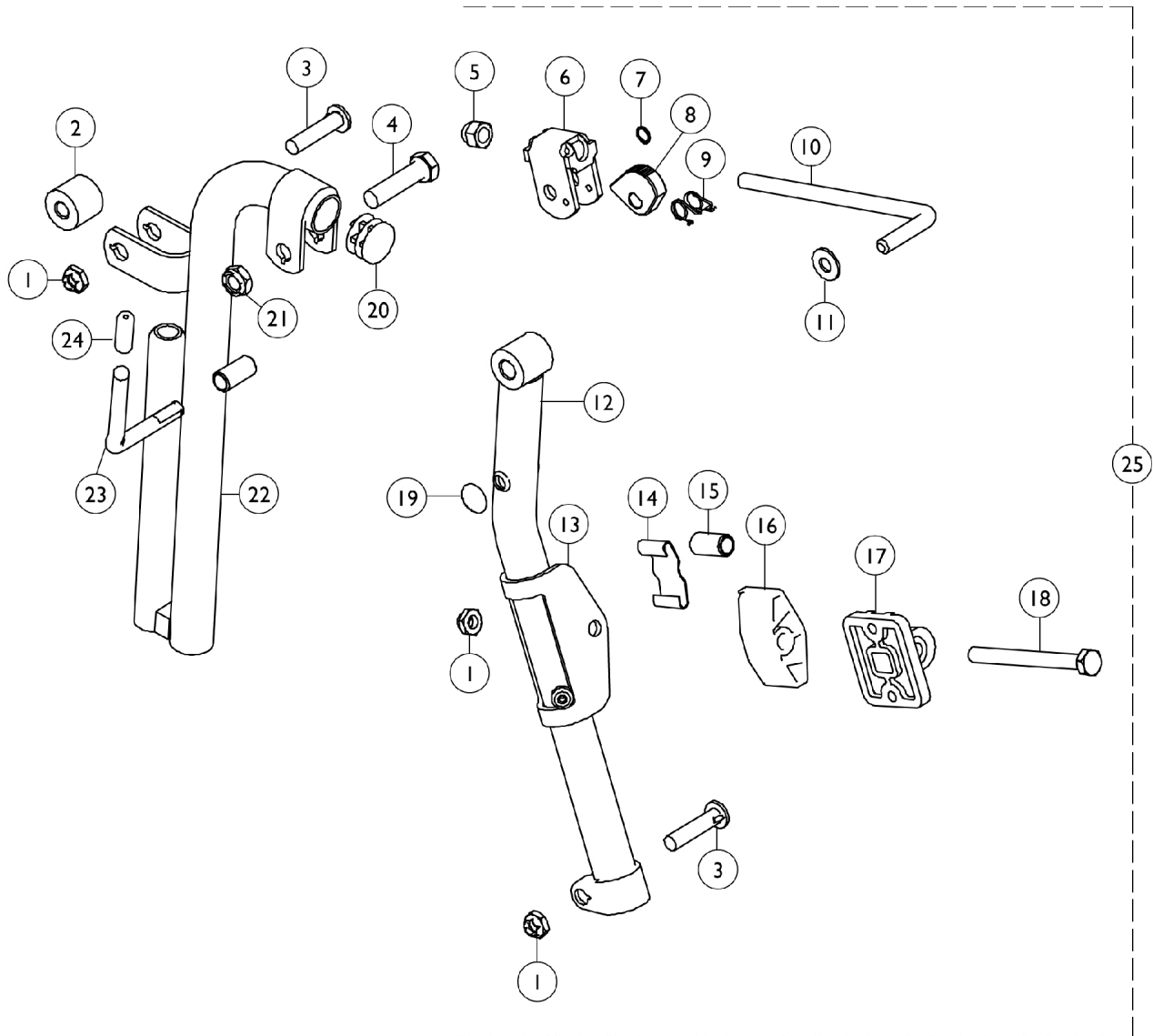
Item Number	Note	Part Number	Description	Quantity Per	
				Package	Assembly
1		04526X019	Plate, Legrest Pad	1	1
2		1025104	Bracket, Legrest, Chrome	1	1
3		1022877-NLA	NLA - Tube, Support and Drive Link, Chrome - Right	1	1
3		1022878-NLA	NLA - Tube, Support and Drive Link, Chrome - Left	1	1
4		42326X004	Bar, Ratchet - Right/Left	1	1
5		1037126	Handle, Release	1	1
6		1040060	Tip, Plastic, Black	1	1
7		04528X002	Bracket, Release, Black	1	1
8		1040831	Ring, Snap	1	1
9		1013519	Washer, Nylon (5/16 x 11/16 x 1/16")	1	1
10		1037485	Spring, Release	1	2
11		1037125	Cam, Legrest	1	1
12		10261X000	Nut, Acorn (5/16-24)	1	1
13		47330X003	Spacer (5/16 x 1/2 x 3/8")	1	1
14		1014807	Screw, Hex Head (5/16-24 x 3-1/4")	1	1
15		1023092-NLA	NLA - Legrest Support Tube Assembly, Hemi, Chrome - Right	1	1
15		1023093-NLA	NLA - Legrest Support Tube Assembly, Hemi, Chrome - Left	1	1
16		1022854-NLA	NLA - Screw, Shoulder Slotted Head (1/2 x 1-1/8", 3/8-16)	1	1
17		1027097	Plug Button, Black (3/4")	1	1
18		47328X003	Bushing, Pivot (5/16 x 7/16 x 7/8")	1	1
19		48823X008	Spring, Leaf	1	1
20		1022846-NLA	NLA - Bar, Link, Black	1	1
21		1024911-NLA	NLA - Decal, Smartleg	1	1
22		1030979	Screw, Phillips Pan Head Tap (#10-32 x 3/4")	1	1
23		1091220	Spacer, Legrest	1	1
24		1022874	Bumper	1	1
25		1107321	Nut, Low Cap (5/16"-24)	1	2
26		11232X009	Bolt, Lug (5/16-24 x 1-3/8")	1	1
27		1027377	Washer (#20)	1	1
28		40363X000	Hex Nut (3/8"-16)	1	3
29		1022866-NLA	NLA - Screw, Socket Button Head (3/8-16 x 3/4")	1	2
30		1022848	Tube, Slide, Articulating, Chrome - Right	1	1
30		1022849	Tube, Slide, Articulating, Chrome - Left	1	1
31		1049527	Washer, Nylon (3/8 x 3/4 x 1/16")	1	2
32		1022864	Drive, Link, Black	1	1
33	A	1041799	Legrest Support Assembly, Articulating, Hemi, Chrome - Right	1	1
33	A	1041800	Legrest Support Assembly, Articulating, Hemi, Chrome - Left	1	1
	B	1046329	Kit, Elevating Legrest Ratchet Hardware (Pair)	2	1

# Legrest Support Assembly

## AHL4A, AHL4C, AHS4

NOTE: A - Includes items 1-32.  
B - Includes items 4-13 and instruction sheet.

# Legrest Support Assembly - TR12



## Legrest Support Assembly - TR12

Item Number	Note	Part Number	Description	Quantity Per	
				Package	Assembly
1		1107321	Nut, Low Cap (5/16"-24)	1	3
2		47324X011	Bushing, Pivot (5/16 x 7/8 x 3/4")	1	1
3		11232X009	Bolt, Lug (5/16-24 x 1-3/8")	1	2
4		11919X000-NLA	NLA - Screw, Slotted Truss Head (3/8-16 x 1-1/2")	1	1
5		10261X000	Nut, Acorn (5/16-24)	1	1
6		04528X002	Bracket, Release, Black	1	1
7		1040831	Ring, Snap	1	1
8		1037125	Cam, Legrest	1	1
9		1037485	Spring, Release	1	1
10		1037126	Handle, Release	1	1
11		1013519	Washer, Nylon (5/16 x 11/16 x 1/16")	1	1
12		04526X040-NLA	NLA - Tube, Elevating Support, Chrome - Right	1	1
12		04526X041-NLA	NLA - Tube, Elevating Support, Chrome - Left	1	1
13		1025104	Bracket, Legrest, Chrome	1	1
14		48823X008	Spring, Leaf	1	1
15		47328X003	Bushing, Pivot (5/16 x 7/16 x 7/8")	1	1
16		1091220	Spacer, Legrest	1	1
17		04526X019	Plate, Legrest Pad	1	1
18		1014807	Screw, Hex Head (5/16-24 x 3-1/4")	1	1
19		1096773	Nut, Push Dome (5/16")	1	1
20		1027095	Plug Button, Black (7/8")	1	1
21		40363X000	Hex Nut (3/8"-16)	1	1
22		1009959-NLA	NLA - Support, Legrest w/ Release Handle - Right	1	1
22		1009960-NLA	NLA - Support, Legrest w/ Release Handle - Left	1	1
23		42326X001	Bar, Ratchet	1	1
24		1040060	Tip, Plastic, Black	1	1
25	A	1041820-NLA	NLA - Legrest Support Assembly, Chrome - Right	1	1
25	A	1041821-NLA	NLA - Legrest Support Assembly, Chrome - Left	1	1
	B	1046328-NLA	NLA - Kit, Ratchet	2	1

NOTE: A - Includes items 1-24.  
B - Includes items 5-11 and 23-24.

# Calf Pads

## Calf Pads

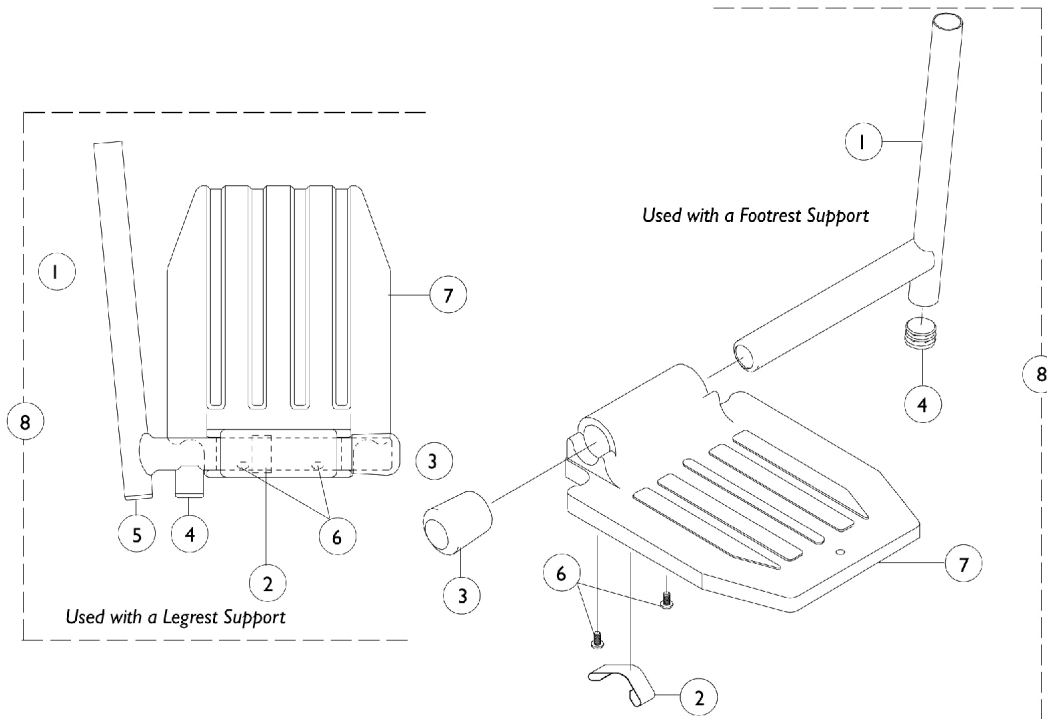
Part Number	Part Number	Part Number	Description
14" Right	14" Left	16-22" Left/Right	Legrest Pad with Cover
88804529X003 See Note(s) A	88804529X004 See Note(s) A	8881091819 See Note(s) C, A	Expanded Vinyl (All other Models)
8881091720 See Note(s) B	8881091721 See Note(s) B	8881091818-NLA See Note(s) A, C	Non-Expanded Vinyl (CareGuard, Invarcare MGI, and Invarcare MG)
N/A	N/A	1091800	Plastic with Hardware (Invarcare MG & MGI, CareGuard and CareGuard Titan)
NOTE: A - Specify upholstery color, see page titled "Upholstery Colors". B - These items used on the Invarcare MGI only. C - These items have the hardware included.			

## Calf Pad Hardware

Part Number	Description
40163X008	Screw, Phillips Pan Head (#10-32 x 11/16")

# Pivot Slide Tube with Footplate

TLXH3A/C/S, T943A/C/S, TLXH4A/C/S, T944A/C/S, AHL4A/C, AHS4, TR12/13/14, TRP14, T934C, TRH13/14, & TRPH14



Item Number	Note	Part Number	Description	Quantity Per	
				Package	Assembly
1	A	7500004-NLA	NLA - Pivot/Slide Tube w/ Plug Button	1	1
1	B	7500005-NLA	NLA - Pivot/Slide Tube w/ Plug Button, Chrome	1	1
1	C	1041526	Pivot/Slide Tube w/ Plug Button Assembly, Chrome	1	1
2		1006981	Spring, Tension	1	1
3		1016346	Cap, End, Tube, Black (7/8")	1	1
4		1027097	Plug Button, Black (3/4")	1	1
5		1018133	Plug Button, Black (5/8")	1	1
6		40120X001	Screw, Phillips Pan Head (#8-32 x 3/8")	1	2
7		44200X027	Footplate, Aluminum, Medium, Black (7-3/4" W x 6" L)	1	1
7		44200X059	Footplate, Aluminum, Small, Black (6-3/4" W x 6" L)	1	1
7		1015178	Footplate, Composite, Black (6" W x 7-53/64" L)	1	1
8		See Chart	Pivot Slide Tube - Fixed Front Frame	1	1
8		See Chart	Pivot Slide Tube - Tracer Series	1	1
8		See Chart	Pivot Slide Tube - "T" Series	1	1

NOTE: A - Used on TLXH3S, TLXH3A, TLXH3C, T943A/C/S, and TRH13.  
 B - Used on TLXH4A, TLXH4C, TLXH4S, T944A/C/S, TR12, TR13, TR14, TRP14, T934C, and TRH14.  
 C - Used on AHL4A, AHL4C, and AHS4.

**Pivot Slide Tube with Footplate**  
**TLXH3A/C/S, T943A/C/S, TLXH4A/C/S, T944A/C/S, AHL4A/C, AHS4,**  
**TR12/13/14, TRP14, T934C, TRH13/14, & TRPH14**

**Pivot Slide Tube - Tracer Series**

Footplate Type	TR13 14"	TR13 16-20"	TRH13 16-18"	T943A, T943C, TLXH3A, TLXH3C, T933A, T933C, TLX3A, TLX3C, 16-22"	T93AA, T93AA1350, T933A, T943C, TLXH3A, TLXH3C 16-18"	T943A, T943C, TLXH3A, TLXH3C 20-22"	T943S, TLXH3S
Aluminum -Right	1020232-NLA See Note(s) A	1017243-NLA See Note(s) A	N/A	1017243-NLA	1111287	1017243-NLA	1020232-NLA
Aluminum -Left	1020233-NLA See Note(s) A	1017244-NLA See Note(s) A	N/A	1017244-NLA	1111288	1017244-NLA	1020233-NLA
Composite -Right	N/A	1017224-NLA	1017224-NLA	1017224-NLA	1111291	1017224-NLA	N/A
Composite -Left	N/A	1017225-NLA	1017225-NLA	1017225-NLA	1111292	1017225-NLA	N/A
Extra Large Aluminum -Right	N/A	1031926-NLA See Note(s) A	N/A	1031926-NLA	1110346	1031926-NLA	N/A
Extra Large Aluminum -Left	N/A	1031927-NLA See Note(s) A	N/A	1031927-NLA	1110347	1031927-NLA	N/A

NOTE: A - These are available for the Invacare MGI ONLY.

## Pivot Slide Tube with Footplate

### TLXH3A/C/S, T943A/C/S, TLXH4A/C/S, T944A/C/S, AHL4A/C, AHS4, TR12/13/14, TRP14, T934C, TRH13/14, & TRPH14

#### Pivot Slide Tube - Fixed Front Frame

Description	Composite - Right	Composite - Left
TR13 - 16-20" / TRH13 - 16-18" T943A / T943C / TLXH3A / TLXH3C / T933A / T933C / TLX3A / TLX3C - 16-22"	1017224-NLA	1017225-NLA
T93AA / T93AA1350 / T933A / T943C / TLXH3A / TLXH3C - 16-18"	1111291	1111292
T943A / T943C / TLXH3A / TLXH3C - 20-22"	1017224-NLA	1017225-NLA

NOTE: Additional support assembly is not needed with fixed front frames.

#### Pivot Slide Tube - "T" Series

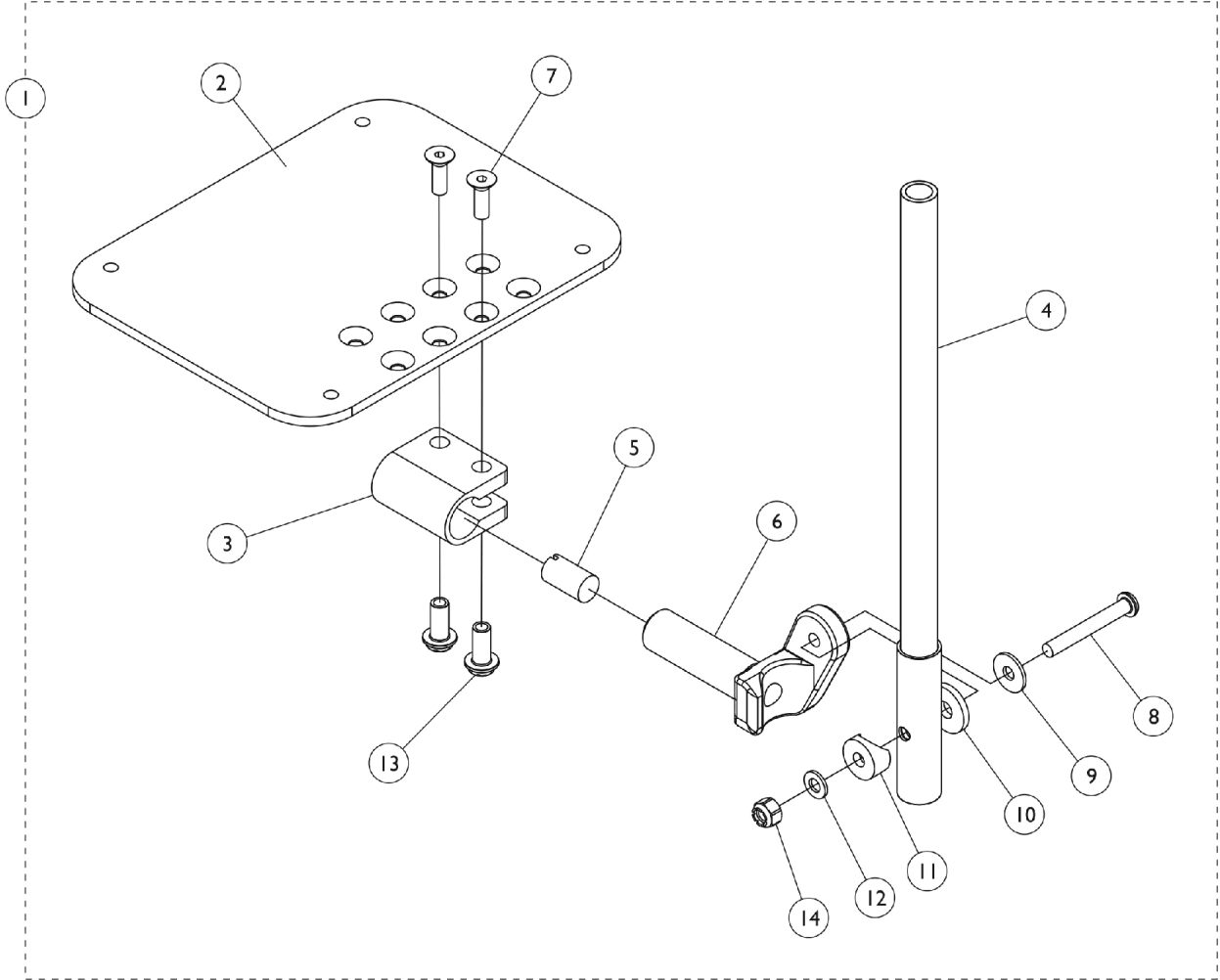
Footplate Type	TR14 14"	TR14 16-20"	TRH14 16-18" TRP14, T934C 16-20"	T934A, T934C, TLX4A, TLX4C, T944A, T944C, TLXH4A, TLXH4C 16-18"	T934A, T934C, TLX4A, TLX4C, T944A, T944C, TLXH4A, TLXH4C 20-22"	T944C, TRPH14 16-18"	T944S, TLXH4S 14"
Aluminum Right	1020234-NLA See Note(s) A	1017237-NLA See Note(s) A	N/A	1017237-NLA	1017237-NLA	N/A	1020234-NLA
Aluminum Left	1020235-NLA See Note(s) A	1017238-NLA See Note(s) A	N/A	1017238-NLA	1017238-NLA	N/A	1020235-NLA
Composite Right	N/A	1017233-NLA	1017233-NLA	1017233-NLA	1017233-NLA	1017233-NLA	N/A
Composite Left	N/A	1017234-NLA	1017234-NLA	1017234-NLA	1017234-NLA	1017234-NLA	N/A
Extra Large Aluminum Right	N/A	1031934-NLA See Note(s) A	N/A	1031934-NLA	1031934-NLA	N/A	N/A
Extra Large Aluminum Left	N/A	1031935-NLA See Note(s) A	N/A	1031935-NLA	1031935-NLA	N/A	N/A
Adjustable Angle Right	N/A	N/A	N/A	1062756	1091789-NLA	N/A	1060444
Adjustable Angle Left	N/A	N/A	N/A	1062757	1091790-NLA	N/A	1060445



**Pivot Slide Tube with Footplate**  
**TLXH3A/C/S, T943A/C/S, TLXH4A/C/S, T944A/C/S, AHL4A/C, AHS4,**  
**TR12/13/14, TRP14, T934C, TRH13/14, & TRPH14**

NOTE: A - Available for Invacare MGI Accounts ONLY.

# AT5543 Adjustable Angle Footplates



## AT5543 Adjustable Angle Footplates

Item Number	Note	Part Number	Description	Quantity Per	
				Package	Assembly
1	A	See Chart	Pivot Slide Tube - "T" Series	1	1
2	C	1113573	Footplate, Adjustable Angle, Large, Black (5-1/4" W x 8" L)	1	1
2	C	1113574	Footplate, Adjustable Angle, Extra Large, Black (6-1/4" W x 8" L)	1	1
2	C	1113575	Footplate, Adjustable Angle, XX- Large, Black (7-1/4" W x 8" L)	1	1
3		1058517	Clamp, Footplate	1	1
4		1057855	Tube, Pivot and Slide, Straight, Steel, Black (9-7/8" L)	1	1
4		1091745-NLA	NLA - Tube, Pivot/Slide, Straight, Steel, Chrome (13-7/8" L)	1	1
5		1048816	Screw, Nylon Adjustment (1/2-13 x 7/8")	1	1
6		1052103	Hinge, Footplate - Left	1	1
6		1052102	Hinge, Footplate - Right	1	1
7		1029545	Screw, Socket Flat Head (1/4-20 x 3/4")	1	2
8		1022831	Screw, Socket Button Head (1/4-20 x 1-7/8")	1	1
9		1026900	Washer (1/4 x 23/32 x 1/16")	1	1
10		1016301	Washer, Nylon (5/16 x 7/8 x 1/8")	1	1
11		1025457	Spacer, Coved (1/4 x 3/4 x 11/32")	1	1
12		1026907	Washer (1/4 x 1/2 x 1/16")	1	1
13		1082686	Nut, Barrel, Hex Head (1/4-20 x 11/16")	1	2
14		1025736	Locknut (1/4-20)	1	1
		See Chart	Hardware - Pivot Slide Tube	1	1

NOTE: A - Includes items 2 thru 14.  
 C - This footplate was revised 9/2/2008 with rounder corners and accessory holes changed from 8 to 4. Recommended to replace footplates in pairs to match sides.

### #1 Pivot Slide Tube - "T" Series

Footplate Type	TR14 14"	TR14 16-20"	TRH14 16-18" TRP14, T934C 16-20"	T934A, T934C, TLX4A, TLX4C, T944A, T944C, TLXH4A, TLXH4C 16-18"	T934A, T934C, TLX4A, TLX4C, T944A, T944C, TLXH4A, TLXH4C 20-22"	T944C, TRPH14 16-18"	T944S, TLXH4S 14"
Adjustable Angle - Right	N/A	N/A	N/A	1062756	1091789-NLA	N/A	1060444
Adjustable Angle - Left	N/A	N/A	N/A	1062757	1091790-NLA	N/A	1060445

# AT5543 Adjustable Angle Footplates

## Attaching Hardware

Style	Part Number	Quantity per Package	Quantity Per Footrest (pr)	Quantity Per Legrest (pr)
Spring Button Hardware Kit	1121272 See Note(s) A	2	2	4
Bolt Through Hardware Kit	1101776 See Note(s) A	2	2	2
Tool Kit	1058407 See Note(s) B	1	N/A	N/A
NOTE: A - Kit includes hardware and instruction sheet. B - Kit includes allen wrench, key, and open end wrench.				

# Footrest and Legrest Accessories

## Miscellaneous

Part Number	Description
1143050	Non-Removable, Footrest/Legrest (1820)
1096781	Hardware Kit, Hinge Replacement

## Heel Loops

Footplate Type	Part Number	Description	Hardware
14" Slim/Narrow	1035905	Heel Loop, Small (Pair)	1035926
Composite	1035917-NLA	NLA - Heel Loop (Pair)	1035927
Aluminum	1035929	Heel Loop, Large (Pair)	1035926
Adjustable Angle 14-18" Wide	1160723	Kit, Heel Loop w/ Hardware, Adjustable Angle Footplate (Pair)	Included
Adjustable Angle 20-22" Wide	1160725	Kit, Heel Loop w/ Hardware, Adjustable Angle Footplate (Pair)	Included

# Wheels - Non-Projection Handrims and Attaching Hardware

## Handrims, Chrome and Aluminum

Model Number	Wheel Type	Chrome Handrim	Aluminum Handrim	Quantity	Attaching Points	Attaching Hardware
2244BK	24" Composite Pneumatic	1054966	1015406	1	7	1025153
U2244BK	24" Composite Urethane	1054966	1015406	1	7	1025153
4244BK	24" Composite Pneumatic or Flat Free	1054966	1015406	1	7	1025153
U2222	24" Composite Urethane	1055272-NLA See Note(s) A	N/A	1	6	1042074
2222BK	24" Composite DMT	1055272-NLA See Note(s) A	N/A	1	6	1042074
1764BK	22" Composite Pneumatic	1020000	1020018	1	7	1025153
4764 BK	22" Composite Pneumatic or Flat Free	1020000	1020018	1	7	1025153
U1764BK	22" Composite Urethane	1020000	1020018	1	7	1025153
1763BK	20" Composite Urethane	1019999	1020017	1	7	1025153
4763BK	20" Composite Pneumatic or Flat Free	1019999	1020017	1	7	1025153
U1763BK	20" Composite Urethane	1019999	1020017	1	7	1025153

NOTE: A - Chrome Handrim part #1055272 replaced with Clear Anodized Handrim part #1183681.

NOTE: Kits Contain Hardware for One Handrim

### Handrims, Composite

Model Number	Wheel Type	Handrim	Quantity	Attaching Points	Attaching Hardware
--------------	------------	---------	----------	------------------	--------------------

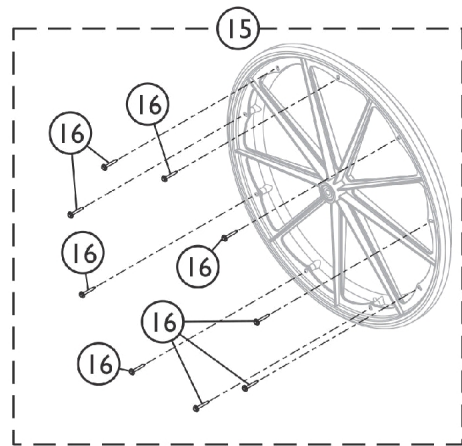
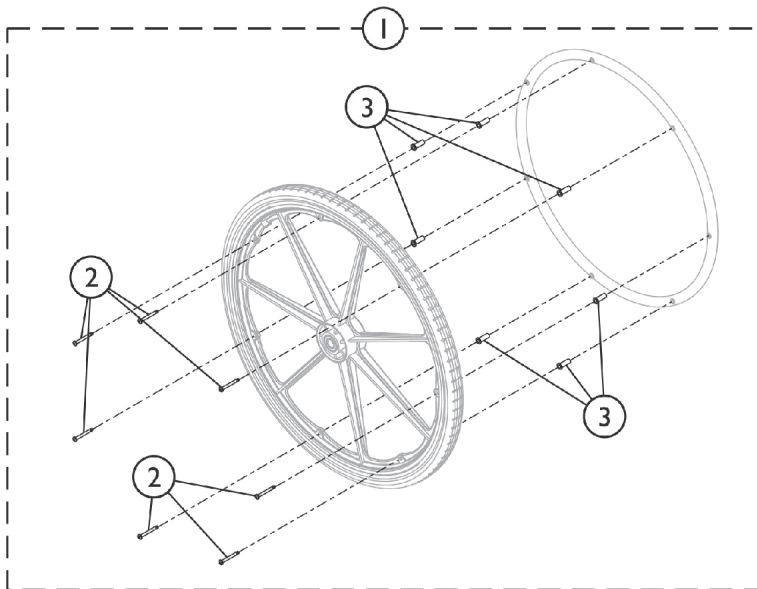
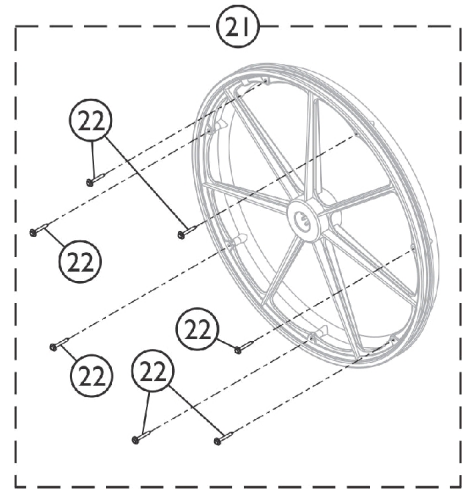
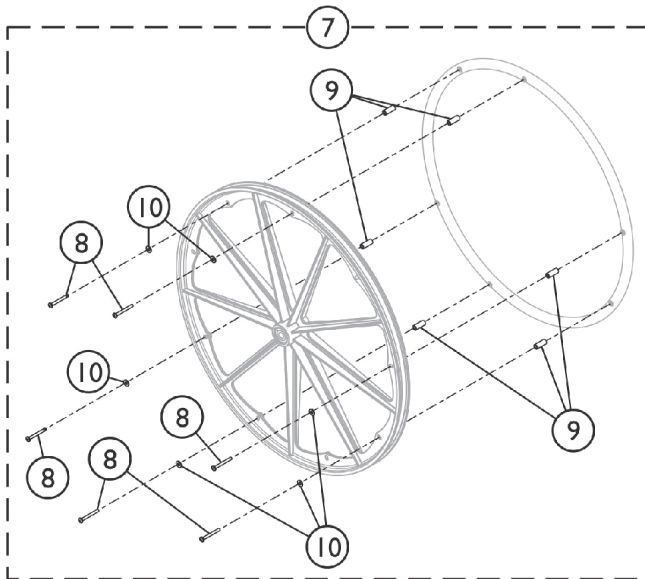
# Wheels - Non-Projection Handrims and Attaching Hardware

## Handrims, Composite

Model Number	Wheel Type	Handrim	Quantity	Attaching Points	Attaching Hardware
2244BK, 4244BK, U2244BK	24" Composite Pneumatic or Flat Free	1064036	1	7	1065790
U2222	24" Composite Urethane	1063919	1	9	1065791

NOTE: Kits Contain Hardware for One Handrim

# Non-Projection Handrim Attaching Hardware



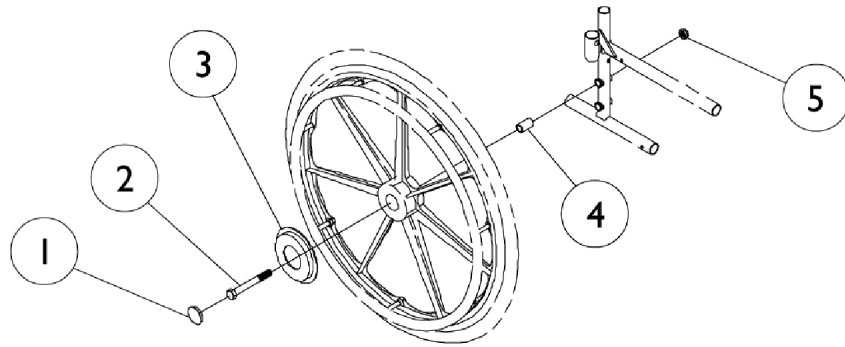
SSM\_033A



## Non-Projection Handrim Attaching Hardware

Item Number	Note	Part Number	Description	Quantity Per	
				Package	Assembly
1	A	1025153	Hardware, Handrim Attaching - 7 PT	1	1
2		1007375	Screw, Phillips Pan Head w/ Patch (#10-32 x 1-3/4")	1	7
3		1016438	Spacer (1/4 x 11/32 x 15/16")	1	7
7	B	1042074	Hardware, Handrim Attaching - 6 PT.	1	1
8		1007375	Screw, Phillips Pan Head w/ Patch (#10-32 x 1-3/4")	1	6
9		1012649	Spacer (3/16 x 3/8 x 15/16")	1	6
10		1013218	Washer (#10 Flat)	1	6
15	C	1065790	Hardware, Handrim Attaching - 7 PT.	1	1
16		1098755	Screw, Hex Head SEMS (#8-10 x 1-1/2")	1	7
21	D	1065791	Hardware, Handrim Attaching - 9 PT.	1	1
22		1098755	Screw, Hex Head SEMS (#8-10 x 1-1/2")	1	9
NOTE: A - Includes items 2 and 3. B - Includes items 8-10 C - Includes item 16. D - Includes item 22.					

# Rear Wheel & Hardware



# Rear Wheel & Hardware

## Rear Wheel Hardware

Item Number	Note	Part Number	Description	Quantity Per	
				Package	Assembly
1	D	1027600-NLA	NLA - Cap, Black	1	1
1	E	1016291	Cap, Hub, Black	1	1
2	F	1085454	Bolt, Hex Head Cap (7/16-20 x 5-1/8")	1	1
2	G	47203X029	Screw, Hex Head (7/16-20 x 4-1/2")	1	1
2	H	56000X651	Axle, Quick Release (7/16" x 5-7/16")	1	1
3	I	1016289	Washer, Caplugs (15/32" I.D. x 1-3/32" O.D.)	1	1
4		1022671	Spacer (7/16 x 5/8 x 1/2")	1	1
5		1045608	Locknut (7/16-20)	1	1
	A,B,G, K	1034109	NLA - Kit, Rear Wheel Hardware, Conventional	1	1
			Bolt, Hex Head Cap (7/16-20 x 5-1/8")	1	1
			Locknut (7/16-20)	1	1
			Spacer (7/16 x 5/8 x 1/2")	1	1
		1085454	Bolt, Hex Head Cap (7/16-20 x 5-1/8")	1	1
		1045608	Locknut (7/16-20)	1	1
		1022671	Spacer (7/16 x 5/8 x 1/2")	1	1
	A,C,F	1034106	Kit, Rear Wheel Hardware	1	1
			Screw, Hex Head (7/16-20 x 4-1/2")	1	1
			Locknut (7/16-20)	1	1
	A,J	1030936	Plug, Valve Stem	1	1
		See Chart	Rear Wheel & Hardware	1	1

NOTE: A - Not Shown  
 B - Includes Items 2 and 4-5.  
 C - Includes 2 each of Items 2 and 5.  
 D - Used with U2222 Wheel Part #1044193 listed in Rear Wheel Chart.  
 E - Used with U2222 Wheel Part #1080378 and All Other Wheel Types listed in Rear Wheel Chart.  
 F - Used for Permanent Arms.  
 G - Used for Removable Arms.  
 H - Used on Tracer SX.  
 I - NOT Used with U2222 Wheel Part #1044193 listed in Rear Wheel Chart.  
 J - Used on All Wheels with Flat Free Inserts.  
 K - Not Shown. Components contained in Kit Hardware 1034109 must be ordered separately. Order part #1085454, 1045608, 1022671.

## Rear Wheels

Wheel Style	Single Wheel Less Handrim	Tire	Tube/ Insert	Bearing	Bearing Spacer
Composite Urethane (20 x 1-1/4") U1763BK	1038555	1037774	N/A	40117X024	1015756

# Rear Wheel & Hardware

## Rear Wheels

Wheel Style	Single Wheel Less Handrim	Tire	Tube/ Insert	Bearing	Bearing Spacer
Composite Pneumatic (20 x 1-3/8") 1763BK	1034126	1017519	1017520	40117X024	1015756
Composite Pneumatic with Flat Free Insert (20 x 1-3/8") 4763BK	1034127  See Note(s) A	1017519  See Note(s) A	1023322	40117X024	1015756
Composite Urethane (22 x 1-1/4") U1764BK	1032115	1028250	N/A	40117X024	1015756
Composite Pneumatic (22 x 1-3/8") 1764BK	1027149	1018544	1018545	40117X024	1015756
Composite Pneumatic with Flat Free Insert (22 x 1-3/8") 4764BK	1027150  See Note(s) A	1018544  See Note(s) A	1023323	40117X024	1015756
Composite with DTM Tire (24 x 7/8") 2222BK	1080378  See Note(s) B	1080400  See Note(s) B	N/A	40117X024	1015756
Composite Urethane Corded (24 x 1") (9 Spoke) U2222C	1122726	1118209  See Note(s) C	N/A	40117X024	1015756
Composite Urethane (24 x 1") (9 Spoke) U2222 EX, MGI, and MG Before 8/26/99	1044193	1039304  See Note(s) C	N/A	40117X024	1015756

# Rear Wheel & Hardware

## Rear Wheels

Wheel Style	Single Wheel Less Handrim	Tire	Tube/ Insert	Bearing	Bearing Spacer
Composite Urethane (24 x 1") (9 Spoke) U2222 EX, MGI and MG After 8/27/99	1080378  See Note(s) B	1080400  See Note(s) B	N/A	40117X024	1015756
Composite Urethane Corded (24 x 1") (9 Spoke) U2222C EX, MGI and MG	1122726	1118209  See Note(s) C	N/A	40117X024	1015756
Composite Urethane (24 x 1") (9 Spoke) U2222 SX, DLX, Titan Before 3/23/99	1044193	1039304  See Note(s) C	N/A	40117X024	1015756
Composite Urethane (24 x 1") (9 Spoke) U2222 SX, DLX, Titan After 3/22/99	1080378  See Note(s) B	1080400  See Note(s) B	N/A	40117X024	1015756
Composite Urethane Corded (24 x 1") (9 Spoke) U2222C SX, DLX, Titan	1122726	1118209  See Note(s) C	N/A	40117X024	1015756
Composite Urethane (24 x 1") (7 Spoke) U2244BK	1032117	1026904	N/A	40117X024	1015756
Composite Pneumatic (24 x 1-3/8") 2244BK	1025123	40176X060	40176X061	40117X024	1015756

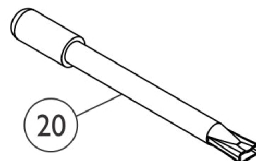
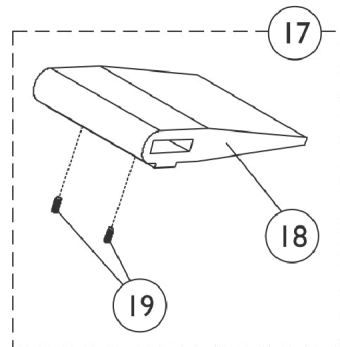
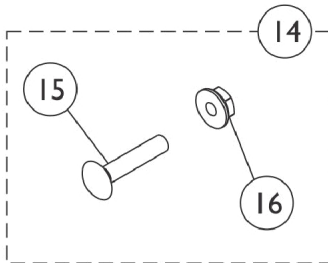
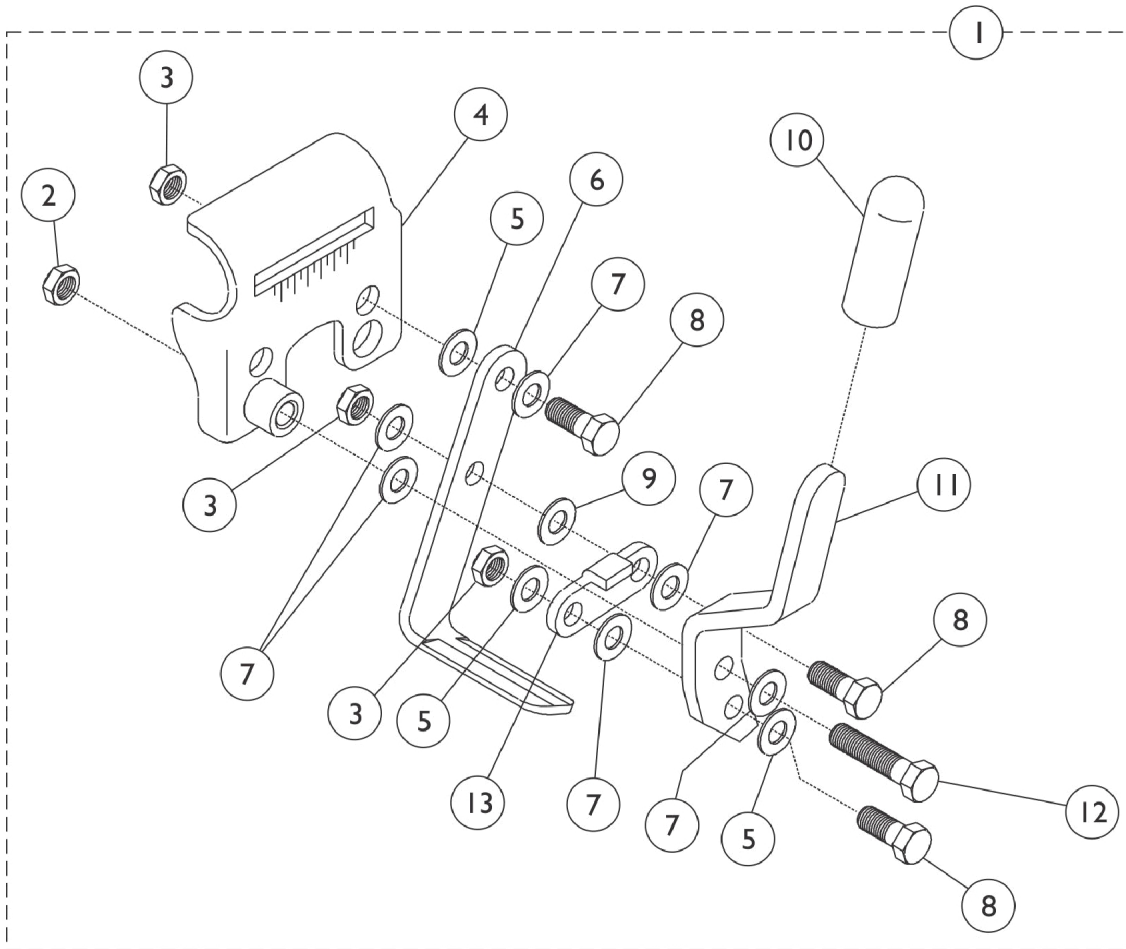
# Rear Wheel & Hardware

## Rear Wheels

Wheel Style	Single Wheel Less Handrim	Tire	Tube/ Insert	Bearing	Bearing Spacer
Composite Pneumatic with Flat Free Insert (24 x 1-3/8") 4244BK	1025124  See Note(s) A	40176X060  See Note(s) A	1010906	40117X024	1015756
NOTE: A - Wheels with Flat Free Inserts have a plug which caps an opening in the rim. See Rear Wheel Hardware for Part. B - Non-Corded Tire replaced with a Corded Tire as of 11/16/09. Refer to U2222C part #1122726 for a wheel assembly or part #1118209 for a tire. For chairs manufactured before 11/16/09, it is recommended to order (2) each in quantity to match C - Corded Tires maybe more difficult to stretch over the rim. The complete wheel assembly that has the tire and rim preassembled maybe be advisable.					

# Link-Pivot Style Wheel Locks

Adult - Permanent Arms, Tracer EX and Tracer MG Permanent Arms



# Link-Pivot Style Wheel Locks

## Adult - Permanent Arms, Tracer EX and Tracer MG Permanent Arms

Item Number	Note	Part Number	Description	Quantity Per	
				Package	Assembly
1	A,B,H	1045861-NLA	NLA - Wheel Lock Assembly, Adult, Push to Lock, Black - Right	1	1
1	A,B,H	1045862-NLA	NLA - Wheel Lock Assembly, Adult, Push to Lock, Black - Left	1	1
1	B	1023493	Wheel Lock Assembly, Push to Lock - Right	1	1
1	B	1023494	Wheel Lock Assembly, Push / Lock - Left	1	1
1	A,C	1045862-NLA	NLA - Wheel Lock Assembly, Adult, Push to Lock, Black - Left	1	1
1	A,C	1045861-NLA	NLA - Wheel Lock Assembly, Adult, Push to Lock, Black - Right	1	1
2		60275X000	Locknut (1/4-20)	1	1
3		60320X000	Locknut (1/4-28)	1	1
4	D	1015445-NLA	NLA - Bracket, Mounting, Chrome - Right	1	1
4	D	1015446-NLA	NLA - Bracket, Mounting, Chrome - Left	1	1
4	E	1045843-NLA	NLA - Bracket, Mounting, Chrome - Right	1	1
4	E	1045844-NLA	NLA - Bracket, Mounting, Chrome - Left	1	1
5		40157X016-NLA	NLA - Washer (1/4 x 1/2 x 1/16")	1	1
6		1015443-NLA	NLA - Shoe	1	1
7		1010398	Washer, Nylon (1/4 x 1/2 x 1/16")	1	6
8		60274X012-NLA	NLA - Screw, Hex Head (1/4-28 x 3/4")	1	3
9		40157X004	Spacer, Nylon (1/4 x 7/16 x 1/8")	1	4
9		40157X016-NLA	NLA - Washer (1/4 x 1/2 x 1/16")	1	1
10		47376X024	Tip, Rubber Wheel Lock Handle, Black	1	1
11		1016588-NLA	NLA - Handle, Push, Adult, Chrome - Right	1	1
11		1016589-NLA	NLA - Handle, Push, Adult, Chrome - Left	1	1
12		1007017-NLA	NLA - Screw, Hex Head (1/4-20 x 1-1/4")	1	1
13		1016592-NLA	NLA - Link, Chrome	1	1
14	I	1034165	NLA - Hardware, Attaching Kit (Pair)	1	1
15			Bolt, Carriage (1/4-20 x 1-1/4")	1	2
16			Locknut (1/4-20)	1	2
14		1017677	Kit, Hardware, Wheel Lock (Pair)	1	1
15			Bolt, Carriage (1/4-20 x 1-1/4")	1	2
16			Nut, Hex Flang (1/4-20)	1	2
17	F	1037421	Kit, Wheel Lock Shoe Spacer, 20" Rear Wheels (Pair)	1	1
18			Spacer, Wheel Lock Shoe (2-63/64")	1	2
19			Screw, Set Socket Cup Point (#8-32 x 3/16")	1	4
17	F	1037422	Kit, Wheel Lock Shoe Spacer, 22" Rear Wheels (Pair)	1	1
18			Spacer, Wheel Lock Shoe (1-45/64")	1	2
19			Screw, Set Socket Cup Point (#8-32 x 3/16")	1	4
20	G	1058900	Wheel Lock Extension Handle Assembly, Black (8")	1	1



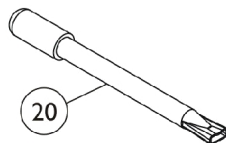
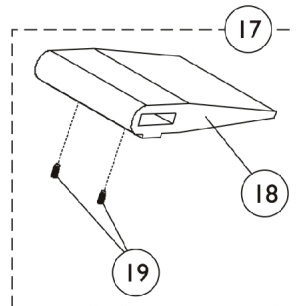
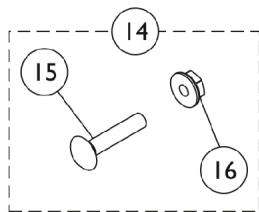
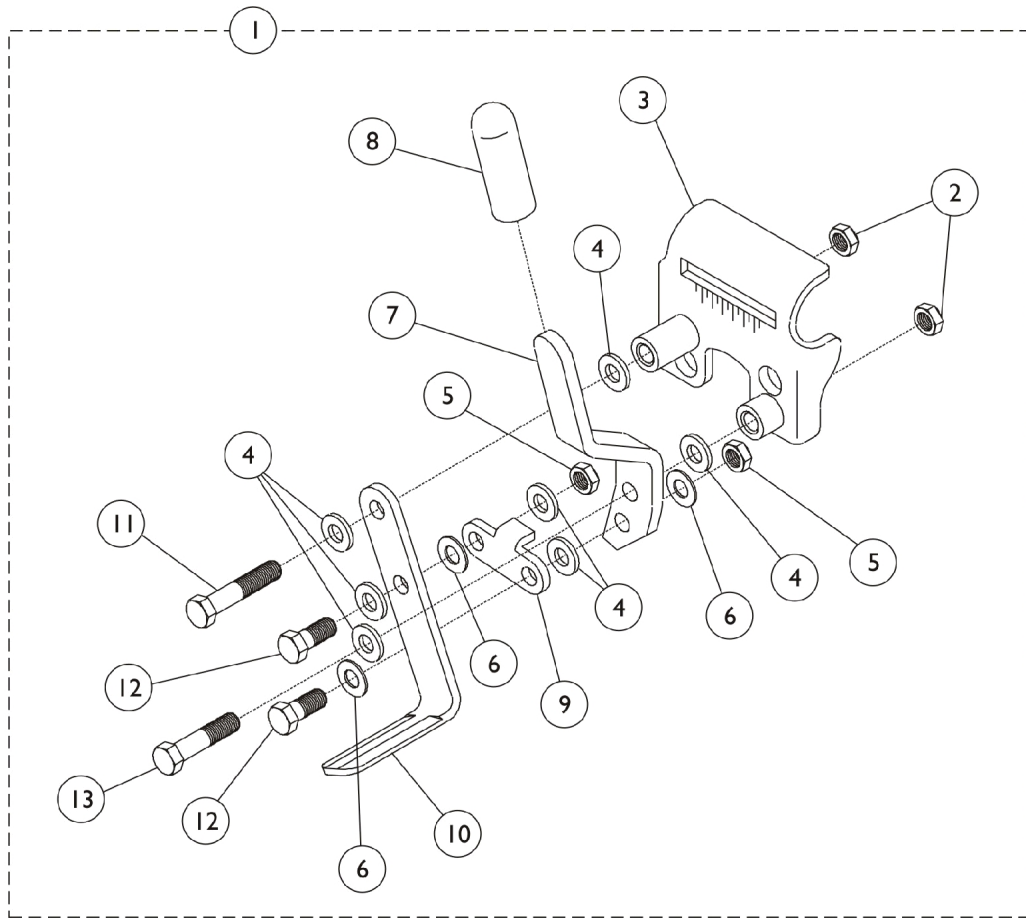
# Link-Pivot Style Wheel Locks

## Adult - Permanent Arms, Tracer EX and Tracer MG Permanent Arms

NOTE: A - Includes items 2-13.  
B - Used on Adult with Permanent Arms.  
C - Used on Transport Models.  
D - Before 5/94  
E - After 4/94  
F - These parts are NOT included with the Wheel Lock.  
G - Includes: 1 each Extension Handle and Rubber Tip. Chrome is No Longer Available.  
H - No Longer Available. Use part #'s 1023493 and 1023494 as replacements.  
I - 1034165 in Zinc Finish is NLA. Use part number 1017677 in Black finish as a replacement.

# Link-Pivot Style Wheel Locks

Adult and Hemi - Removable Arms, Tracer SX/Titan/ EX/DLX, CareGuard, CG Titan, Invacare MGI, & Invacare MG Removable Arm



## Link-Pivot Style Wheel Locks

**Adult and Hemi - Removable Arms, Tracer SX/Titan/ EX/DLX, CareGuard,  
CG Titan, Invacare MGI, & Invacare MG Removable Arm**

Item Number	Note	Part Number	Description	Quantity Per	
				Package	Assembly
1	A	1045853	Wheel Lock Assembly, Adult, Push To Lock, Black - Right	1	1
1	A	1045854	Wheel Lock Assembly, Adult, Push To Lock, Black - Left	1	1
1	A,G	1045849-NLA	NLA - Wheel Lock Assembly, Hemi, Pull to Lock, Black - Right	1	1
1	A,G	1045850-NLA	NLA - Wheel Lock Assembly, Hemi, Pull to Lock, Black - Left	1	1
1	A	1101454	Wheel Lock Assembly, Pull to Lock, Black - Right	1	1
1	A	1101455	Wheel Lock Assembly, Pull to Lock, Black - Left	1	1
2		60275X000	Locknut (1/4-20)	1	2
3		1045847-NLA	NLA - Bracket, Mounting, Chrome - Right	1	1
3		1045848-NLA	NLA - Bracket, Mounting, Chrome - Left	1	1
4		1010398	Washer, Nylon (1/4 x 1/2 x 1/16")	1	7
5		60320X000	Locknut (1/4-28)	1	2
6		40157X016-NLA	NLA - Washer (1/4 x 1/2 x 1/16")	1	3
7		1016588-NLA	NLA - Handle, Push, Adult, Chrome - Right	1	1
7		1016589-NLA	NLA - Handle, Push, Adult, Chrome - Left	1	1
7		1016590-NLA	NLA - Handle, Pull, Hemi, Chrome - Right	1	1
7		1016591-NLA	NLA - Handle, Pull, Hemi, Chrome - Left	1	1
8		47376X024	Tip, Rubber Wheel Lock Handle, Black	1	1
9		1016592-NLA	NLA - Link, Chrome	1	1
10		1015443-NLA	NLA - Shoe	1	1
11		16720X004	Screw, Hex Head (1/4-20 x 1-1/2")	1	1
12		60274X012-NLA	NLA - Screw, Hex Head (1/4-28 x 3/4")	1	2
13		1007017-NLA	NLA - Screw, Hex Head (1/4-20 x 1-1/4")	1	1
14	B	1034165	NLA - Hardware, Attaching Kit (Pair)	1	1
15			Bolt, Carriage (1/4-20 x 1-1/4")	1	2
16			Locknut (1/4-20)	1	2
14	B	1017677	Kit, Hardware, Wheel Lock (Pair)	1	1
15			Bolt, Carriage (1/4-20 x 1-1/4")	1	2
16			Nut, Hex Flang (1/4-20)	1	2
17	C,D	1037421	Kit, Wheel Lock Shoe Spacer, 20" Rear Wheels (Pair)	1	1
18			Spacer, Wheel Lock Shoe (2-63/64")	1	2
19			Screw, Set Socket Cup Point (#8-32 x 3/16")	1	4
17	C,D	1037422	Kit, Wheel Lock Shoe Spacer, 22" Rear Wheels (Pair)	1	1
18			Spacer, Wheel Lock Shoe (1-45/64")	1	2
19			Screw, Set Socket Cup Point (#8-32 x 3/16")	1	4
20	F	1058900	Wheel Lock Extension Handle Assembly, Black (8")	1	1
	E	00078X021	Instruction Sheet, Wheel Lock	1	1

# **Link-Pivot Style Wheel Locks**

## **Adult and Hemi - Removable Arms, Tracer SX/Titan/ EX/DLX, CareGuard, CG Titan, Invacare MGI, & Invacare MG Removable Arm**

NOTE: A - Includes 2-13.  
B - Includes 15 and 16. 1034165 in Zinc Finish is NLA. Use part number 1017677 in Black finish as a replacement.  
C - These parts are not included with the wheel lock.  
D - Includes items 18 and 19.  
E - Not shown.  
F - Includes: 1 each Extension Handle and Rubber Tip. Chrome is No Longer Available.  
G - NLA. See part numbers 1101454 and 1101455 as replacements.



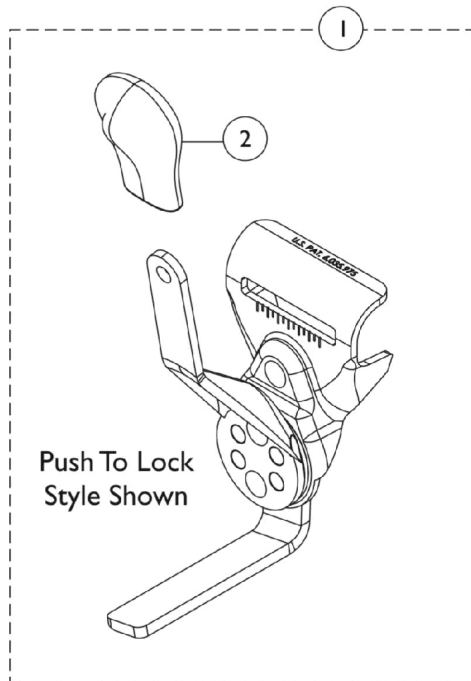
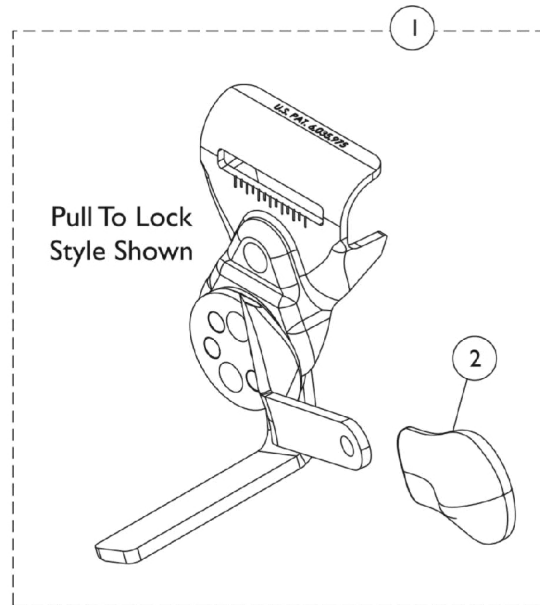
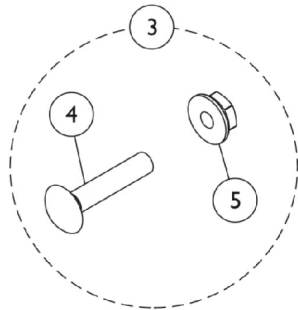
## Link Pivot Style Wheel Locks

### CareGuard, Invacare MGI, & Invacare MG - Fixed Frame and Permanent Arm Frame

Item Number	Note	Part Number	Description	Quantity Per	
				Package	Assembly
1	A	1075538-NLA	NLA - Wheel Lock Assembly, Black - Right	1	1
1	A	1075539-NLA	NLA - Wheel Lock Assembly, Black - Left	1	1
2		60320X000	Locknut (1/4-28)	1	4
3		1010398	Washer, Nylon (1/4 x 1/2 x 1/16")	1	12
4	D	1075532-NLA	NLA - Bracket, Mounting, Chrome	1	1
5		40157X016-NLA	NLA - Washer (1/4 x 1/2 x 1/16")	1	4
6		47376X024	Tip, Rubber Wheel Lock Handle, Black	1	1
7	D	1016588-NLA	NLA - Handle, Push, Adult, Chrome - Right	1	1
7	D	1016589-NLA	NLA - Handle, Push, Adult, Chrome - Left	1	1
8	D	1015443-NLA	NLA - Shoe	1	1
9	D	1076736-NLA	NLA - Link, Wheel Lock, Chrome - Right	1	1
9	D	1076737-NLA	NLA - Link, Wheel Lock, Chrome - Left	1	1
10		60274X012-NLA	NLA - Screw, Hex Head (1/4-28 x 3/4")	1	2
11		1076731	Screw, Hex Head (1/4-28 x 1")	1	2
12	B	1034165	NLA - Hardware, Attaching Kit (Pair)	1	1
13			Bolt, Carriage (1/4-20 x 1-1/4")	1	2
14			Locknut (1/4-20)	1	2
	C	00078X021	Instruction Sheet, Wheel Lock	1	1
12	B	1017677	Kit, Hardware, Wheel Lock (Pair)	1	1
13			Bolt, Carriage (1/4-20 x 1-1/4")	1	2
14			Nut, Hex Flang (1/4-20)	1	2

NOTE: A - Includes items 2-11.  
 B - Includes items 13-14. 1034165 in Zinc Finish is NLA. Use part number 1017677 in Black finish as a replacement.  
 C - Not Shown.  
 D - Chrome is No Longer Available. See Item #1 part number 1075538 RT or 1075539 LT as a replacement. Color will be Black. Recommended to order in pairs to match.

# Disk Style Wheel Lock (After 8/15/03)



## Disk Style Wheel Lock (After 8/15/03)

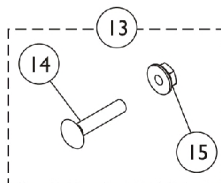
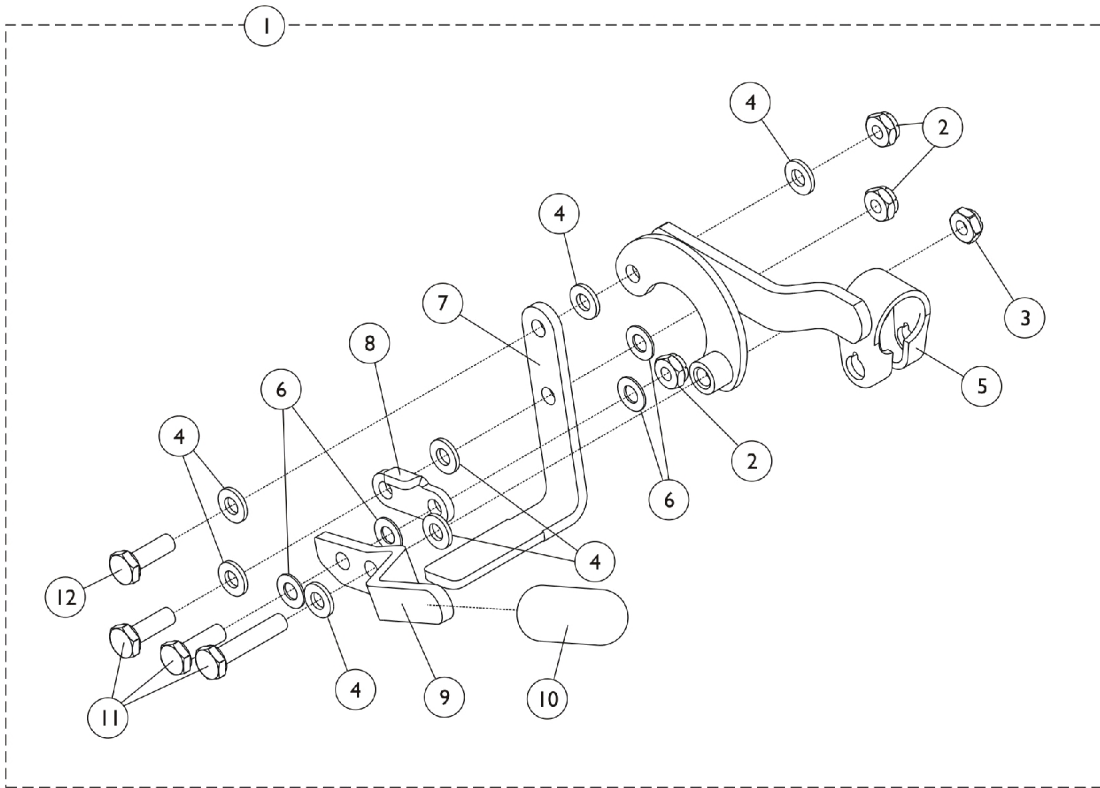
Item Number	Note	Part Number	Description	Quantity Per	
				Package	Assembly
1	C,C1,C2	1110225-NLA	NLA - Wheel Lock Assembly, Disk Push to Lock, Black - Right	1	1
1	C,C1,C2	1110226-NLA	NLA - Wheel Lock Assembly, Disk Push to Lock, Black - Left	1	1
1	C,C1,C2	1110227-NLA	NLA - Wheel Lock Assembly, Disk Pull to Lock, Black - Right	1	1
1	C,C1,C2	1110228-NLA	NLA - Wheel Lock Assembly, Disk Pull to Lock, Black - Left	1	1
2		1110160-NLA	NLA - Tip, Plastic Wheel Lock Handle, Black	1	1
3	A	1017677	Kit, Hardware, Wheel Lock (Pair)	1	1
4			Bolt, Carriage (1/4-20 x 1-1/4")	1	2
5			Nut, Hex Flang (1/4-20)	1	2
	B	1058900	Wheel Lock Extension Handle Assembly, Black (8")	1	1
	D,E,G	1045853	Wheel Lock Assembly, Adult, Push To Lock, Black - Right	1	1
	D,E,G	1045854	Wheel Lock Assembly, Adult, Push To Lock, Black - Left	1	1
	D,E,G	1045849-NLA	NLA - Wheel Lock Assembly, Hemi, Pull to Lock, Black - Right	1	1
	D,E,G	1045850-NLA	NLA - Wheel Lock Assembly, Hemi, Pull to Lock, Black - Left	1	1
	D,E,G,I	1101454	Wheel Lock Assembly, Pull to Lock, Black - Right	1	1
	D,E,G,I	1101455	Wheel Lock Assembly, Pull to Lock, Black - Left	1	1
	D,F,G,J	1045861-NLA	NLA - Wheel Lock Assembly, Adult, Push to Lock, Black - Right	1	1
	D,F,G	1045862-NLA	NLA - Wheel Lock Assembly, Adult, Push to Lock, Black - Left	1	1
	D,F,G,J	1023493	Wheel Lock Assembly, Push to Lock - Right	1	1
	D,F,G	1023494	Wheel Lock Assembly, Push / Lock - Left	1	1
	D,H	1034165	NLA - Hardware, Attaching Kit (Pair)	1	1
			Bolt, Carriage (1/4-20 x 1-1/4")	1	2
			Locknut (1/4-20)	1	2

NOTE: A - Includes (2) each of item 4,5 and used for Disk-Style Wheel Locks.  
 B - Not shown. Includes: 1 each Extension Handle and Rubber Tip. Used for Disk-Style Wheel Locks.  
 C - Disk Style Wheel Locks are no longer available as a Service Part. Must convert to Link-Pivot Style Wheel Locks listed. Order Right/Left side to match. For Removable Arms use part #'s 1045853/1045854 (Push to Lock) or 1045849/1045850 (Pull to Lock)  
 C1 - For Permanent Arms use part #'s 1045861/1045862 (Push to Lock). New Wheel Lock Attaching Hardware part #1034165 also required.  
 C2 - Additional Wheel Lock information can be found under categories titled "Wheel Locks - Link-Pivot Style - Adult and Hemi - Removable Arms" or "Wheel Locks - Link-Pivot Style - Adult - Permanent Arms".  
 D - Not Shown.  
 E - Use for Removable Arms.  
 F - Use for Permanent Arms.  
 G - Link-Pivot Style Wheel Lock.  
 H - Used for Link-Pivot Style Wheel Locks. 1034165 in Zinc Finish is NLA. Use part number 1017677 in Black finish as a replacement.  
 I - NLA. See part numbers 1101454 and 1101455 as replacements.  
 J - NLA. See part numbers 1023493 and 1023494 as replacements.



# Clamp-On Style Wheel Locks

## Tracer SX Recliner

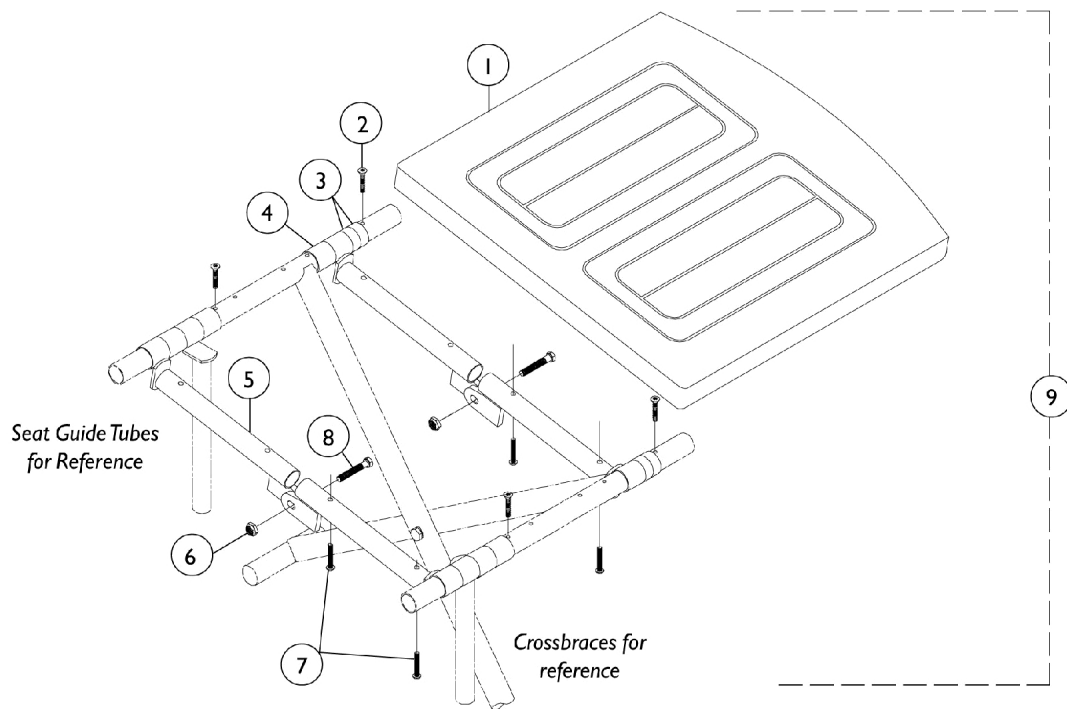


## Clamp-On Style Wheel Locks Tracer SX Recliner

Item Number	Note	Part Number	Description	Quantity Per	
				Package	Assembly
1	A	1080332-NLA	NLA - Wheel Lock Assembly, Black - Right	1	1
1	A	1080333-NLA	NLA - Wheel Lock Assembly, Black - Left	1	1
2		60320X000	Locknut (1/4-28)	1	3
3		60275X000	Locknut (1/4-20)	1	1
4		1010398	Washer, Nylon (1/4 x 1/2 x 1/16")	1	7
5		1080330	Bracket, Wheel Lock, Black - Right	1	1
5	C	1080331-NLA	NLA - Bracket, Wheel Lock, Black - Left	1	1
6		40157X016-NLA	NLA - Washer (1/4 x 1/2 x 1/16")	1	4
7		1015443-NLA	NLA - Shoe	1	1
8		1016592-NLA	NLA - Link, Chrome	1	1
9		1016588-NLA	NLA - Handle, Push, Adult, Chrome - Right	1	1
9		1016589-NLA	NLA - Handle, Push, Adult, Chrome - Left	1	1
10		47376X024	Tip, Rubber Wheel Lock Handle, Black	1	1
11		60274X012-NLA	NLA - Screw, Hex Head (1/4-28 x 3/4")	1	3
12		1007017-NLA	NLA - Screw, Hex Head (1/4-20 x 1-1/4")	1	1
13	B	1030987	Hardware, Wheel Lock Attaching	1	1
14			Bolt, Lug (5/16-24 x 1-3/8")	1	2
15			Locknut (5/16-24)	1	2

NOTE: A - Includes items 2-12.  
 B - Includes items 14 and 15.  
 C - Chrome is No Longer Available. Order item #1 1080333 in Black. Recommended to order in quantity of 2 to match.

# Solid Folding Seat Permanent & Removable Arm EX only



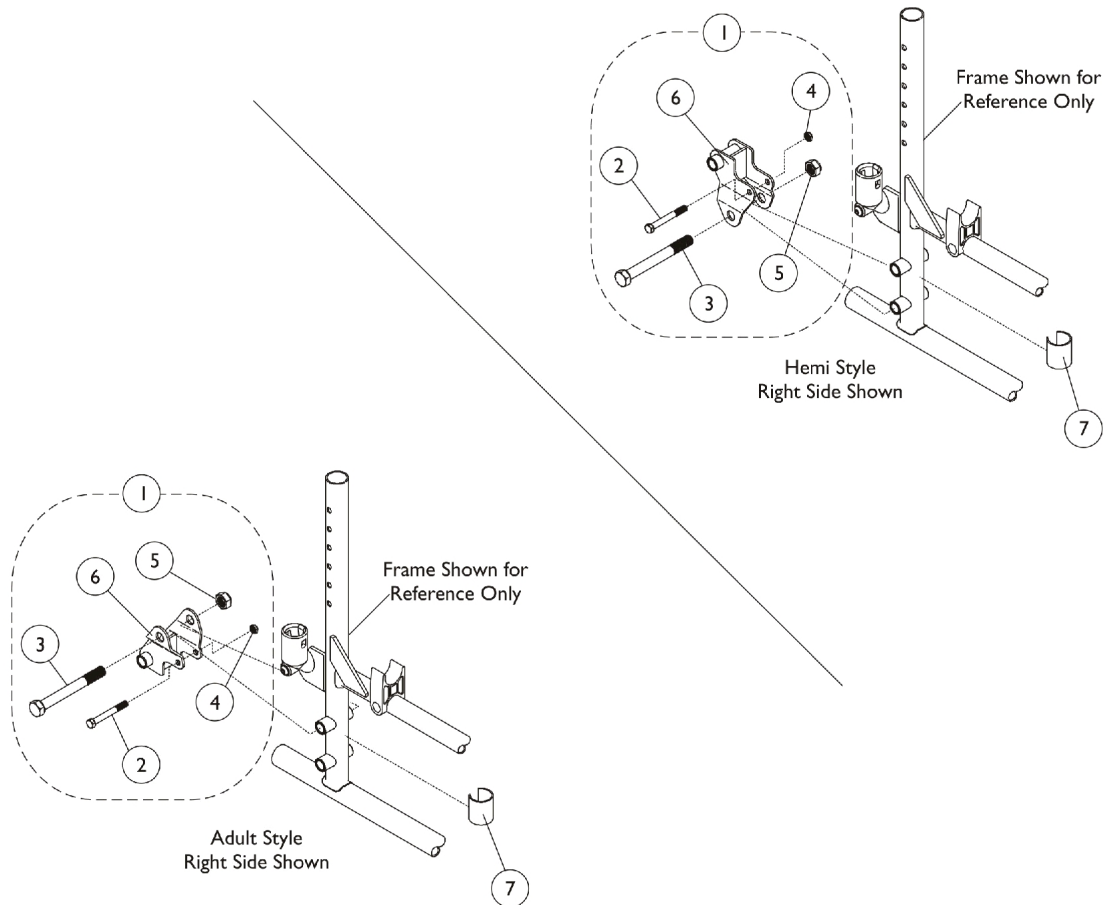
## Solid Folding Seat Permanent & Removable Arm EX only

Item Number	Note	Part Number	Description	Quantity Per	
				Package	Assembly
1		8881105955	Upholstery, Seat, Solid, Vinyl (18" Wide Chair)	1	1
1		8881105954	Upholstery, Seat, Solid, Vinyl (16-1/2" Wide Chairs)	1	1
2		20228X013-NLA	NLA - Screw, Phillips Oval Head (#10 x 7/8")	1	4
3		47397X024	Spacer (7/8 x 1 x 7/16")	1	4
4		47397X019	Spacer (7/8 x 1 x 1")	1	3
5		1012979-NLA	NLA - Crossbrace, Chrome (18" W)	1	4
5		1012976-NLA	NLA - Crossbrace, Chrome (16-1/2" W)	1	4
6		60290X002	Locknut (5/16-18)	1	2
7		11008X011	Screw, Phillips Round Head (#10-32 x 1-3/8")	1	4
8		12144X000	Screw, Hex Head (5/16-18 x 1")	1	2
9	A	8881105959-NL A	NLA - Seat, Solid Folding (18" W)	1	1
9	A	8881105958-NL A	NLA - Seat, Solid Folding (16-1/2" W)	1	1
9	B	8881105957-NL A	NLA - Seat, Solid Folding (18" W)	1	1
9	B	8881105956-NL A	NLA - Seat, Solid Folding (16-1/2" W)	1	1
	C,D	1036813-NLA	NLA - Instruction Sheet	1	1

NOTE: A - Used on Chairs with Removable Arms.  
 B - Used on Chairs with Permanent Arms.  
 C - Not Shown.  
 D - Item is no longer available from the Invacare Service Parts Department. Refer to the Invacare Website under "Product Literature Search". Enter the part number in the "Keywords" field and download a free PDF version copy.

# Amputee Attachment - 9357L

## DLX, SX, Tracer Titan

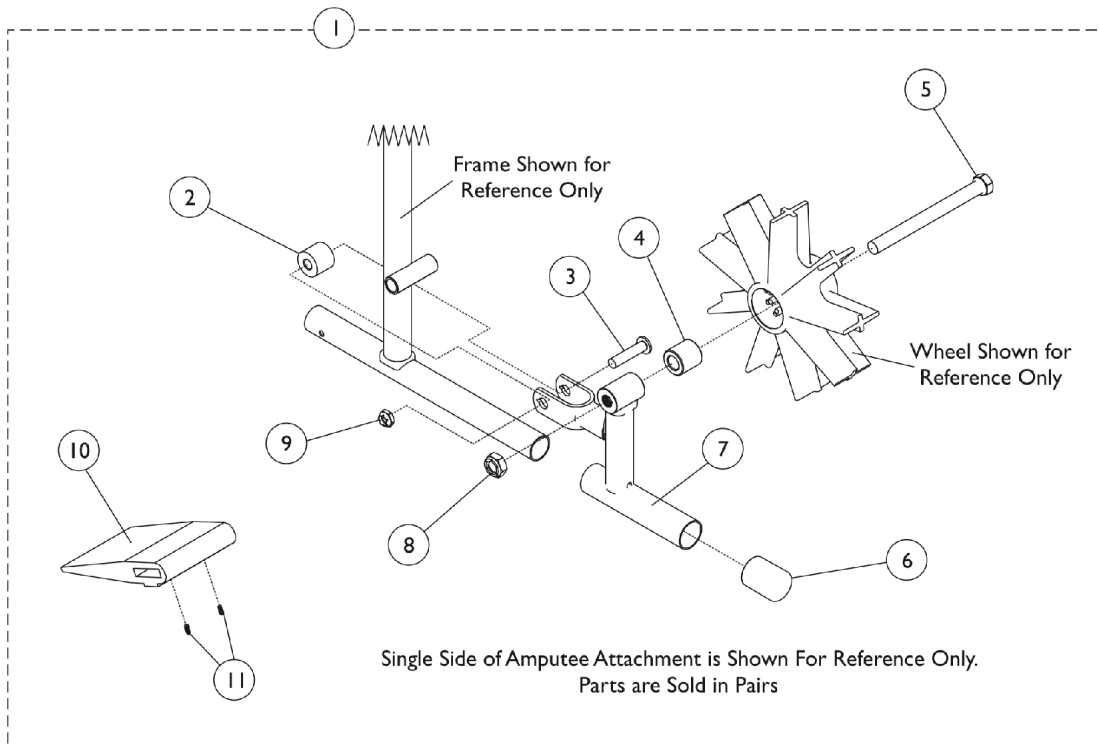


Item Number	Note	Part Number	Description	Quantity Per	
				Package	Assembly
1	A	1057223-NLA	NLA - Amputee Attachment (Pair)	1	1
2			Screw, Hex Head (1/4-20 x 1-1/2")	1	2
3			NLA - Screw, Hex Head (7/16-20 x 2-1/2")	1	2
4			Locknut (1/4-20)	1	2
5			Locknut (7/16-20)	1	2
6			NLA - Bracket, Amputee, Chrome - Right Adult/Left Hemi	1	1
6			NLA - Bracket, Amputee, Chrome - Left Adult/Right Hemi	1	1
			NLA - Instruction Sheet	1	1
7	B	1023618	Insert, Guide Tube, Black (1" Long)	1	1

NOTE: A - Includes items 2-6 and an instruction sheet.  
 B - Not included in the Amputee Attachment hardware package.

# Amputee Attachment - T9357L

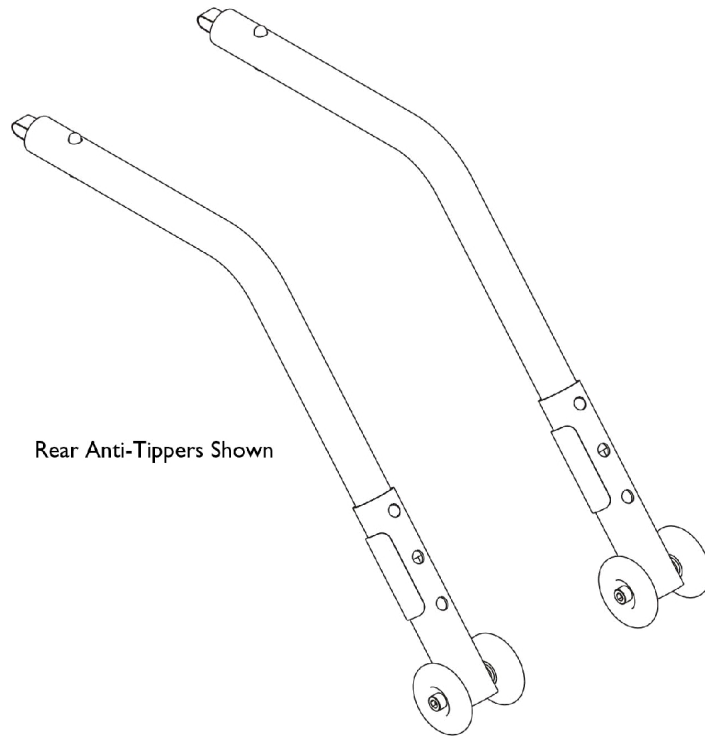
## EX - Available After 2/15/99



Item Number	Note	Part Number	Description	Quantity Per	
				Package	Assembly
1	A,B	1085034-NLA	NLA - Attachment, Amputee	1	1
1	A,C	1085035-NLA	NLA - Attachment, Amputee	1	1
2		47324X011	Bushing, Pivot (5/16 x 7/8 x 3/4")	1	2
3		11232X009	Bolt, Lug (5/16-24 x 1-3/8")	1	2
4	C	1026101	Spacer (7/16 x 5/8 x 3/16")	1	2
4	B	47183X037-NLA	NLA - Spacer (1/2 x 7/8 x 7/8")	1	2
5	C	47203X024-NLA	NLA - Bolt, Hex Head (7/16-20 x 4")	1	2
5	B	47203X025	Bolt, Hex Head Cap (7/16-20 x 4-3/4")	1	2
6		1016346	Cap, End, Tube, Black (7/8")	1	2
7		1083126-NLA	NLA - Bracket, Amputee, Chrome - Right	1	1
7		1083127-NLA	NLA - Bracket, Amputee, Chrome - Left	1	1
8		20225X000	Locknut (7/16-20)	1	2
9		1107321	Nut, Low Cap (5/16"-24)	1	2
10		1016979	Spacer, Wheel Lock Shoe (2-7/16")	1	2
11		1008438	Screw, Set Socket Cup Point (#8-32 x 3/16")	1	4

NOTE: A - Includes items 2-11.  
 B - Used on Removable Arm Chairs.  
 C - Used on Permanent Arm Chairs.

# Anti-Tipper



Rear Anti-Tippers Shown

# Anti-Tipper

Chair Model and/or Type	Frame Style	Seat to Floor Height	Rear Wheel Size	Anti-Tip Model	Service Kit Part Number
Titan	Standard	19-1/2"	N/A	9759	1086189 See Note(s) B
Titan	Standard	18-1/2"	N/A	9759	1086189 See Note(s) B
Titan	Standard	17-1/2"	N/A	9759	1086189 See Note(s) B
Titan	Standard	16-1/2"	N/A	9758	1086190 See Note(s) B
Titan	Standard	15-1/2"	N/A	9758	1086190 See Note(s) B
SX	Standard	19-1/2"	24"	9759	1086189 See Note(s) B
SX	Standard	18-1/2"	22"	9759	1086189 See Note(s) B
SX	Standard	17-1/2"	20 or 24"	9759	1086189 See Note(s) B
SX	Standard	16-1/2"	22"	9758	1086190 See Note(s) B
SX	Standard	15-1/2"	20"	9758	1086190 See Note(s) B
SX Recliner	Recliner	19-1/2"	All	See Note See Note(s) A	1088242-NLA See Note(s) A, C
SX Recliner	Recliner	19-1/2"	All	See Note	1192313 See Note(s) A
DLX	Standard	19-1/2"	24"	9759	1086189 See Note(s) B
DLX	Standard	18-1/2"	22"	9759	1086189 See Note(s) B
DLX	Standard	17-1/2"	20 or 24"	9759	1086189 See Note(s) B
DLX	Standard	16-1/2"	22"	9758	1086190 See Note(s) B
DLX	Standard	15-1/2"	20"	9758	1086190 See Note(s) B
EX	"S" Frame Style (Before 3/99)	19-1/2"	24"	1358M	1036900 See Note(s) B
EX w/ 1-Arm Drive	"S" Frame Style (Before 3/99)	19-1/2"	24"	1358N	1036901-NLA See Note(s) B
EX and MGI	Box Frame Style (After 3/99)	21"	24"	9758	1086190 See Note(s) B
EX and MGI	Box Frame Style (After 3/99)	20"	22"	9758	1086190 See Note(s) B
EX	Box Frame Style (After 3/99)	19-20"	20"	9859	1064227-NLA See Note(s) B



# Anti-Tipper

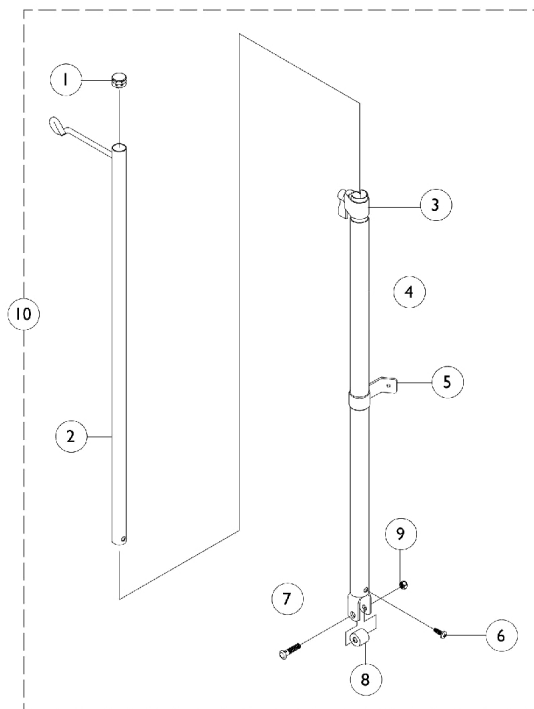
Chair Model and/or Type	Frame Style	Seat to Floor Height	Rear Wheel Size	Anti-Tip Model	Service Kit Part Number
MGI	Fixed Frame or Box Frame Style (After 3/99)	19"	20"	9859	1064227-NLA See Note(s) B
EX w/1-Arm Drive	Box Frame Style (After 3/99)	19-1/2"	24"	9758	1086190 See Note(s) B
EX with Amputee	Box Frame Style (After 3/99)	19-1/2"	24"	9758	1086190 See Note(s) B
MG	"S" Frame Style (Before 3/99)	19-1/2"	24"	1358M	1036900 See Note(s) B
MG	Box Frame Style (After 3/99)	19-1/2"	24"	9758	1086190 See Note(s) B
MGI and MG Fixed Frame	Fixed Frame	21"	24"	9758	1086190 See Note(s) B
CareGuard	Standard	All	N/A	9758	1086190 See Note(s) B
CareGuard Titan	Standard	All	24"	TITAN9759	1086189 See Note(s) B
<p>NOTE: A - Tracer SX Recliner Anti-Tippers are standard when chair is ordered. Therefore, Anti-Tippers are sold as one each and not as a pair.            B - Includes a pair of Anti-Tippers and Instruction Sheet.            C - Chrome is No Longer Available. Order part #1192313 Black as a replacement. Recommended to order a quantity of 2 to match.</p>					

# Anti-Tipper

## Front Anti-Tipper (not shown)

Part Description	Part Number
Front Anti-Tipper (1326) (Pair)	1042412

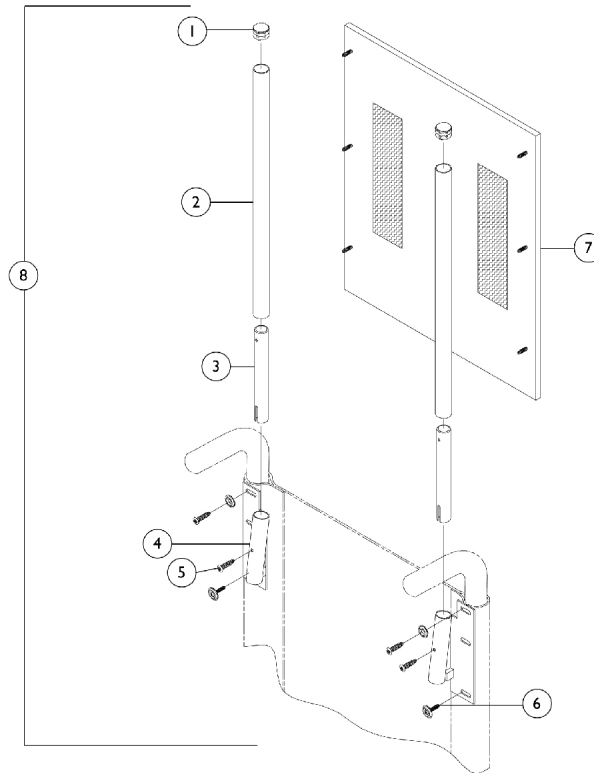
## I.V. Rod - Telescoping - 1322 DLX, EX, SX & Tracer Titan



Item Number	Note	Part Number	Description	Quantity Per	
				Package	Assembly
1		1027095	Plug Button, Black (7/8")	1	1
2		04701X028	Rod, I.V.	1	1
3		12592X000-NLA	NLA - Adjustment Lock Assembly, Chrome	1	1
4		04701X031	Rod, I.V. Support, Non-Recliner	1	1
5		04701X032-NLA	NLA - Bracket, Mounting, Chrome	1	1
6		21243X000-NLA	NLA - Screw, Phillips Pan Head (#6-20 x 3/8")	1	1
7		11232X009	Bolt, Lug (5/16-24 x 1-3/8")	1	1
8		47324X011	Bushing, Pivot (5/16 x 7/8 x 3/4")	1	1
9		1107321	Nut, Low Cap (5/16"-24)	1	1
10	A	1067766-NLA	NLA - Rod, I.V., Telescoping, Non-Recliner	1	1
	B,C	1067765-NLA	NLA - Instruction Sheet, Non-Recliner	1	1

NOTE: A - Includes items 1-9 and instruction sheet.  
 B - Not Shown.  
 C - Item is no longer available from the Invacare Service Parts Department. Refer to the Invacare Website under "Product Literature Search". Enter the part number in the "Keywords" field and download a free PDF version copy.

## Headrest Extension - Non Recliner SX, EX, & DLX Only



Item Number	Note	Part Number	Description	Quantity Per	
				Package	Assembly
1		1027095	Plug Button, Black (7/8")	1	2
2		1054604-NLA	NLA - Tube, Headrest Extension	1	2
3		48811X003	Tube, Insert	1	2
4		1028752-NLA	NLA - Bracket, Headrest, Black - Right	1	2
4		1028753	Bracket, Headrest, Black - Left	1	2
5		40163X013-NLA	NLA - Screw, Phillips Pan Head Tap (#10-32 x 1/2")	1	2
6		1076283	Screw, Phillips Oval Head w/ Washer (#10-16 x 7/8")	1	4
7		See Chart	Headrest Upholstery - Non Recliner	1	1
8	A	See Chart	Extension Assembly - Non Recliner	1	1
	B,C	1098351-NLA	NLA - Instruction Sheet	1	1

NOTE: A - Includes items 1-7 and an instruction sheet.  
 B - Not Shown.  
 C - Item is no longer available from the Invacare Service Parts Department. Refer to the Invacare Website under "Product Literature Search". Enter the part number in the "Keywords" field and download a free PDF version copy.

### Headrest Upholstery - Non Recliner

Width	Vinyl Headrest Upholstery	Nylon Headrest Upholstery
-------	---------------------------	---------------------------

# Headrest Extension - Non Recliner SX, EX, & DLX Only

## Headrest Upholstery - Non Recliner

Width	Vinyl Headrest Upholstery	Nylon Headrest Upholstery
14" Wide	8881054633-NLA  See Note(s) A	8881052586-NLA
15" Wide	8881054634-NLA  See Note(s) A	8881052587-NLA
16" Wide	8881054638-NLA  See Note(s) A	8881052588-NLA
16-1/2" Wide	8881091223-NLA  See Note(s) A	N/A
17" Wide	8881054635-NLA  See Note(s) A	8881052589-NLA
18" Wide	8881054637-NLA  See Note(s) A	8881052590-NLA
19" Wide	8881054636-NLA  See Note(s) A	8881052591-NLA
20" Wide	8881054639-NLA  See Note(s) A	8881052592-NLA
22" Wide	8881054640-NLA  See Note(s) A	N/A

NOTE: A - Specify upholstery color when ordering, see category titled, "Upholstery Colors."

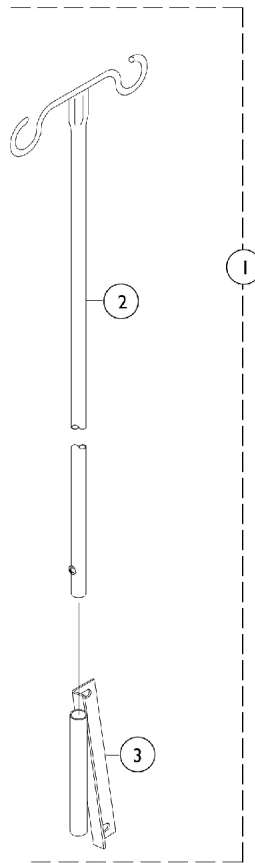
# Headrest Extension - Non Recliner SX, EX, & DLX Only

## Extension Assembly - Non Recliner

Width	Vinyl Headrest Extension Assembly	Nylon Headrest Extension Assembly
14" Wide	8881050181-NLA See Note(s) A, B	8881052776-NLA See Note(s) B
15" Wide	8881050182-NLA See Note(s) A, B	8881052777-NLA See Note(s) B
16" Wide	8881050183 See Note(s) A, B	8881052778-NLA See Note(s) B
16-1/2" Wide	8881091224-NLA See Note(s) B, A	N/A
17" Wide	8881050184-NLA See Note(s) A, B	8881052779-NLA See Note(s) B
18" Wide	8881050185-NLA See Note(s) B, A	8881052780-NLA See Note(s) B
19" Wide	8881050186-NLA See Note(s) A, B	8881052781-NLA See Note(s) B
20" Wide	8881050187-NLA See Note(s) B, A	8881052782-NLA See Note(s) B
22" Wide	8881050188-NLA See Note(s) B, A	N/A

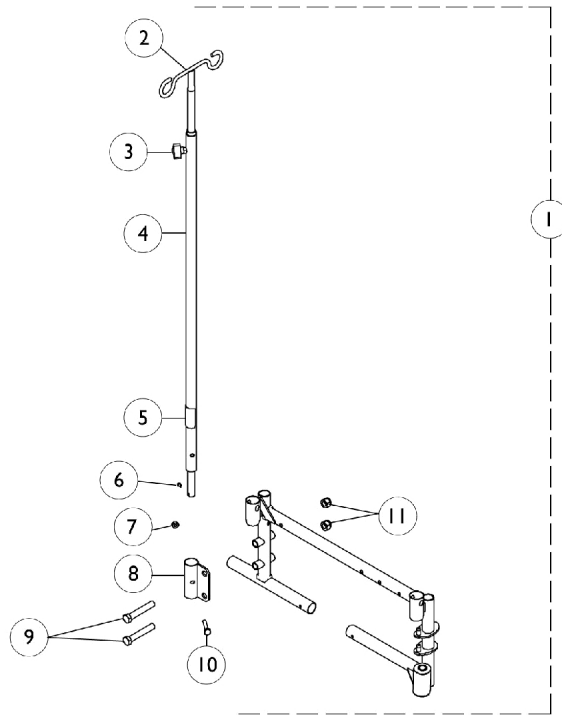
NOTE: A - Specify upholstery color when ordering, see category titled, "Upholstery Colors."  
B - Includes items 1-7 and an instruction sheet.

# I.V. Rod and Bracket - 1318 DLX



Item Number	Note	Part Number	Description	Quantity Per	
				Package	Assembly
1	A	1042416	Rod, I.V., Fixed Height - Right Mount	1	1
1	A	1042417-NLA	NLA - Rod, I.V., Fixed Height - Left Mount	1	1
2		04701X041	Rod, I.V., Recliner, Black	1	1
3		04701X016-NLA	NLA - Mount, Socket, Black- Right	1	1
3		04701X017-NLA	NLA - Mount, Socket, Black - Left	1	1
	B,C	21243X000-NLA	NLA - Screw, Phillips Pan Head (#6-20 x 3/8")	1	1
NOTE: A - Includes items 2 and 3. B - Not Shown. C - To be used as mounting hardware.					

## I.V. Rod and Bracket - 1322SXR Tracer SX Recliner



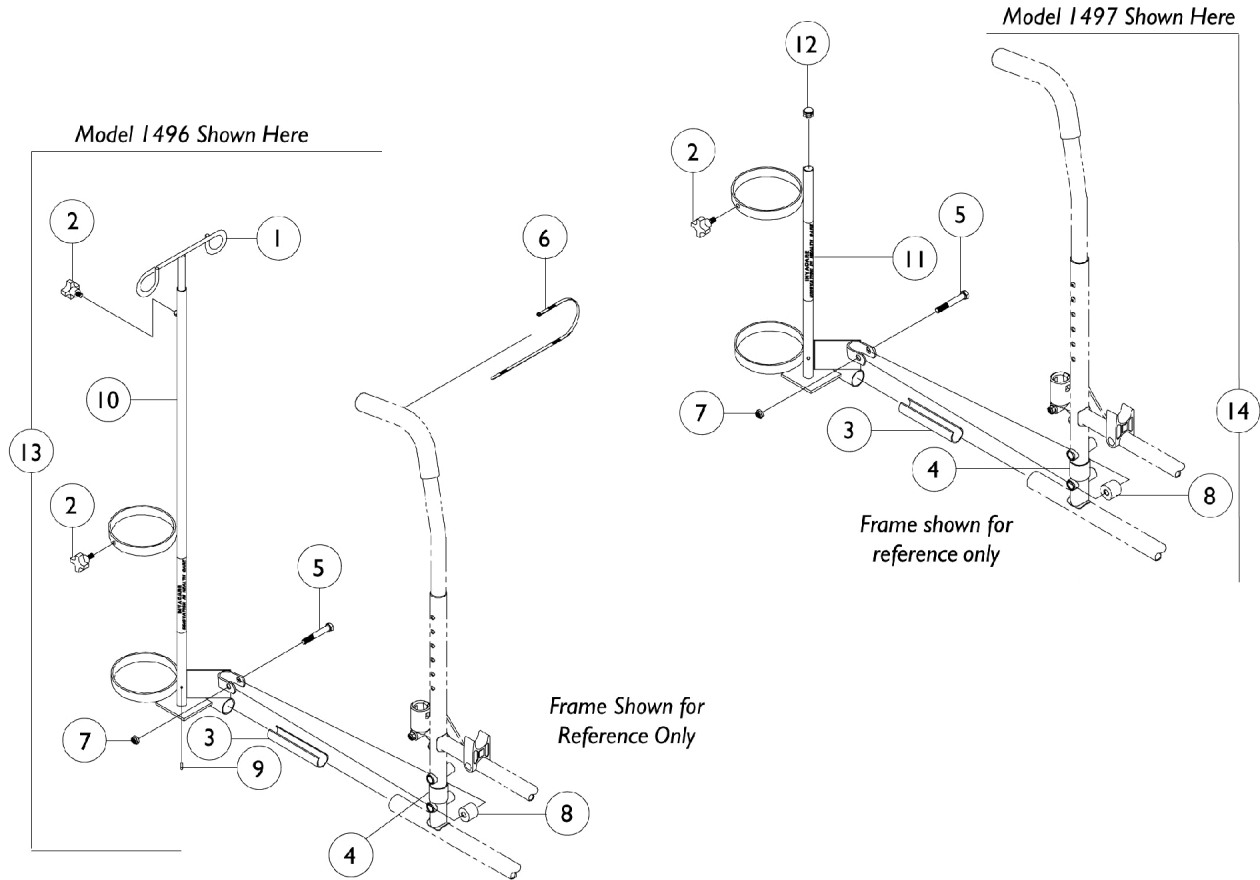
Item Number	Note	Part Number	Description	Quantity Per	
				Package	Assembly
1	A	1087211-NLA	NLA - I.V. Rod Assembly	1	1
2		04701X041	Rod, I.V., Recliner, Black	1	1
3		1027683	Knob, Adjustment, Black	1	1
4		1076521	Tube, Support, I.V. Rod, Black	1	1
5		1027708-NLA	NLA - Decal, Invacare	1	1
5		1095497	Decal, Invacare Logo (1.6)	1	1
6		40121X000-NLA	NLA - Screw, Phillips Pan Head (#6-32 x 3/16")	1	1
7		1008882	Locknut (1/4-20)	1	1
8		1087210	Holder, I.V. Rod	1	1
9		1021755-NLA	NLA - Screw, Hex Head (7/16-20 x 2-1/2")	1	2
10		1007017-NLA	NLA - Screw, Hex Head (1/4-20 x 1-1/4")	1	1
11		1045608	Locknut (7/16-20)	1	2
	B	1088304-NLA	NLA - Instruction Sheet	1	1

NOTE: A - Includes items 2-11 and an instruction sheet.  
B - Not Shown



# I.V./Oxygen Holder - 1496 SX

## Oxygen Holder - 1497 SX



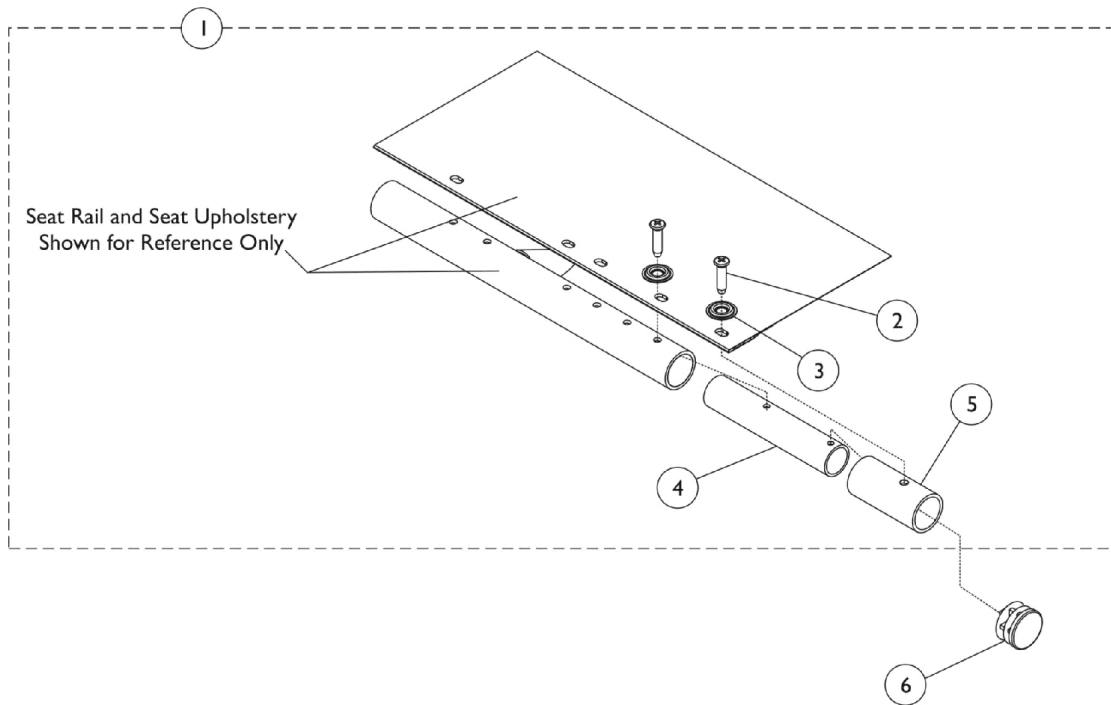
## I.V./Oxygen Holder - 1496 SX Oxygen Holder - 1497 SX

Item Number	Note	Part Number	Description	Quantity Per	
				Package	Assembly
1		1027468	Rod, I.V.	1	1
2	A	1027683	Knob, Adjustment, Black	1	1
2	B	1027684	Knob, Clamping, Black	1	1
3		1023560	Insert, Guide Tube, Black (3-3/4" Long)	1	1
4		1023618	Insert, Guide Tube, Black (1" Long)	1	1
5		11239X000-NLA	NLA - Screw, Hex Head (5/16-24 x 1-3/4")	1	1
6		98007X005	Tie Wrap (11-1/2" L)	1	1
7		1107321	Nut, Low Cap (5/16"-24)	1	1
8		1102577	Spacer, Black (5/16 x 11/16 x 15/16")	1	1
9		1027789	Pin, Roll	1	1
10		1070898	Base, I.V./Oxygen	1	1
11		1070900-NLA	NLA - Base, Oxygen Holder	1	1
12		1017672	Plug Button, Grey (1/2")	1	1
13	C	1497	Holder, Oxygen, Black (D and E Tanks)	1	1
14	D	1496	Holder, I.V./Oxygen, Chrome	1	1
	E	1027931	Instruction Sheet, I.V./Oxygen Holder	1	1
	E	1027930	Instruction Sheet, Oxygen Holder	1	1
	E	1027708-NLA	NLA - Decal, Invacare	1	1

NOTE: A - Used on I.V./Oxygen Holder.  
B - Used on Oxygen Holder.  
C - Includes items 1-13 and an instruction sheet.  
D - Includes items 2-5, 7-8, 11-12 and an instruction sheet.  
E - Not shown.

# Seat Extension Kit

For use on SX chairs only, For use on 16" to make 18" deep chairs only.

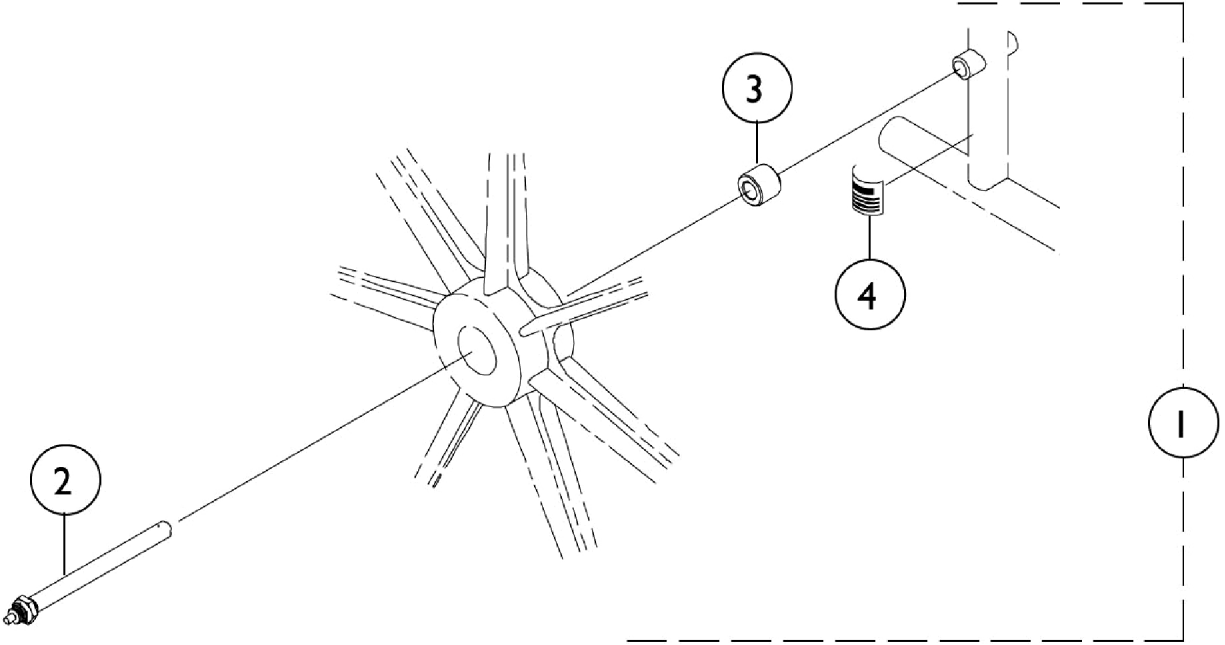


Item Number	Note	Part Number	Description	Quantity Per	
				Package	Assembly
1	A	1073504	Kit, Seat Extension	1	1
2		20228X013-NLA	NLA - Screw, Phillips Oval Head (#10 x 7/8")	1	1
3		40128X001-NLA	NLA - Washer (1/4 X 3/4 X 1/64")	1	1
4		1089279-NLA	NLA - Insert, Seat Extension (2")	1	2
5		1089275-NLA	NLA - Spacer, Seat Extension, Black (2")	1	2
6		1029501	Plug Button, Black (1")	1	2

NOTE: A - Includes items 2-5.

# Quick Release Axle

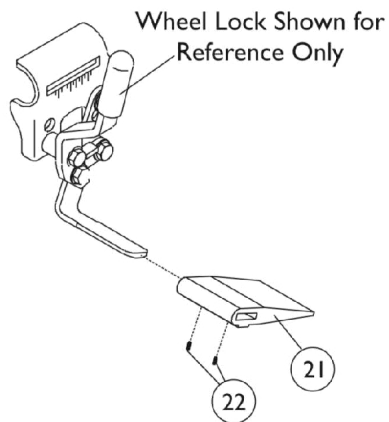
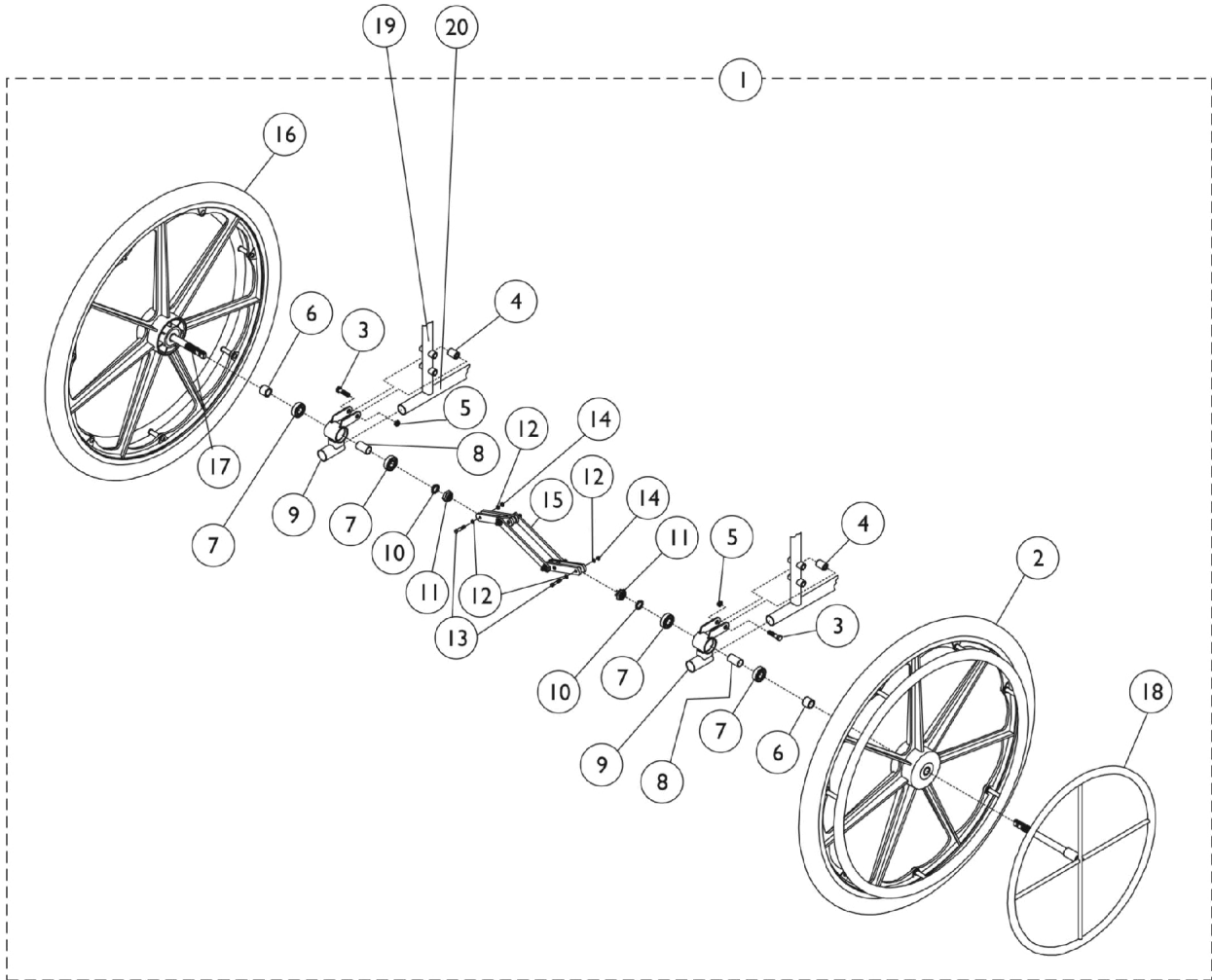
## For Use on SX Chairs Only



Item Number	Note	Part Number	Description	Quantity Per	
				Package	Assembly
1	A	1034113	Kit, Quick Release Rear Wheel Hardware, Conventional	1	1
2			Axle, Quick Release (7/16" x 5-7/16")	1	1
3			Spacer (7/16 x 5/8 x 1/2")	1	1
4			NLA - Label, Warning	1	1

NOTE: A - Includes items 2-4.

# One Arm Drive - SX & DLX



## One Arm Drive - SX & DLX

Item Number	Note	Part Number	Description	Quantity Per	
				Package	Assembly
1	A	See Chart	One Arm Drive Assembly - SX & DLX	1	1
2	B	1016420	Wheel Assembly w/ Clear Anodized Handrim, Composite, Pneumatic Mag (24")	1	1
2	B	1036190	Wheel Assembly w/ Clear Anodized Handrim, Composite, Pneumatic Mag w/ Flat Free Insert (24")	1	1
2	H	1091816	Wheel Assembly w/ Clear Anodized Handrim, Composite, Corded Urethane (24")	1	1
3		11239X001	Screw, Hex Head (5/16-24 x 1-1/2")	1	4
4		1017843-NLA	NLA - Spacer, Chrome (5/16 x 11/16 x 15/16")	1	2
5		1107321	Nut, Low Cap (5/16"-24)	1	2
6		47183X021	Spacer (5/8 x 7/8 x 3/4")	1	1
7		40117X006	Bearing (5/8")	1	4
8		1067747	Spacer, Bearing (5/8 x 3/4 x 1-3/64")	1	2
9	F	1058694	Bracket, One Arm Drive, Black	1	2
9	G	1058695	Bracket, One Arm Drive, Black	1	2
10		48323X013	Washer (5/8 x 7/8 x 1/8")	1	2
11		60030X000	Locknut (5/8-18)	1	2
12		40157X000	Washer, Steel (11/32 x 5/8 x 3/64")	1	4
13		1019101	Screw, Hex Head (1/4-28 x 1-1/2")	1	2
14		60320X000	Locknut (1/4-28)	1	2
15		1019105	Scissor Assembly (14 - 15" W)	1	1
15		1019104	Scissor Assembly (16 - 17" W)	1	1
15		1019106	Scissor Assembly (18 - 19" W)	1	1
15		1048655	Scissor Assembly (20" W)	1	1
15		1019103	Scissor Assembly (20 - 22" W)	1	1
16	B	1025397-NLA	NLA - Wheel Assembly w/ Drive Axle, Composite, Pneumatic Mag (24")	1	1
16	B	1042075-NLA	NLA - Wheel Assembly w/ Drive Axle, Composite, Pneumatic Mag w/ Flat Free Insert (24")	1	1
16	H	1091817	Wheel Assembly w/ Drive Axle, Composite, Corded Urethane (24")	1	1
17		1028609	Axle, Drive	1	1
18	C	1020454	Handrim, Dual Drive	1	1
18	D	1020455	Handrim, Dual Drive	1	1
19		1023618	Insert, Guide Tube, Black (1" Long)	1	2
20		1074057-NLA	NLA - Insert, Tube Guide	1	2
	E,I	1023334-NLA	NLA - Instruction Sheet	1	1
21		1024431	Spacer, Wheel Lock Shoe (1-45/64")	1	1
22		1008438	Screw, Set Socket Cup Point (#8-32 x 3/16")	1	2

## One Arm Drive - SX & DLX

NOTE: A - Includes items 1-18 and an instruction sheet.  
B - In order for this option to fit properly on the Flip-Back style arms, an extra bushing, item 6, for each side needs to be ordered.  
C - For use on removable arm style chairs.  
D - For use on permanent arm style chairs.  
E - Not shown.  
F - For use on Adult style wheelchairs.  
G - For use on Hemi style wheelchairs.  
H - Non-Corded Tire replaced with a Corded Tire as of 11/16/09. It is recommended that both sides of the Wheel Assemblies be ordered for chairs manufactured before 11/16/09.  
I - Item is no longer available from the Invacare Service Parts Department. Refer to the Invacare Website under "Product Literature Search". Enter the part number in the "Keywords" field and download a free PDF version copy.

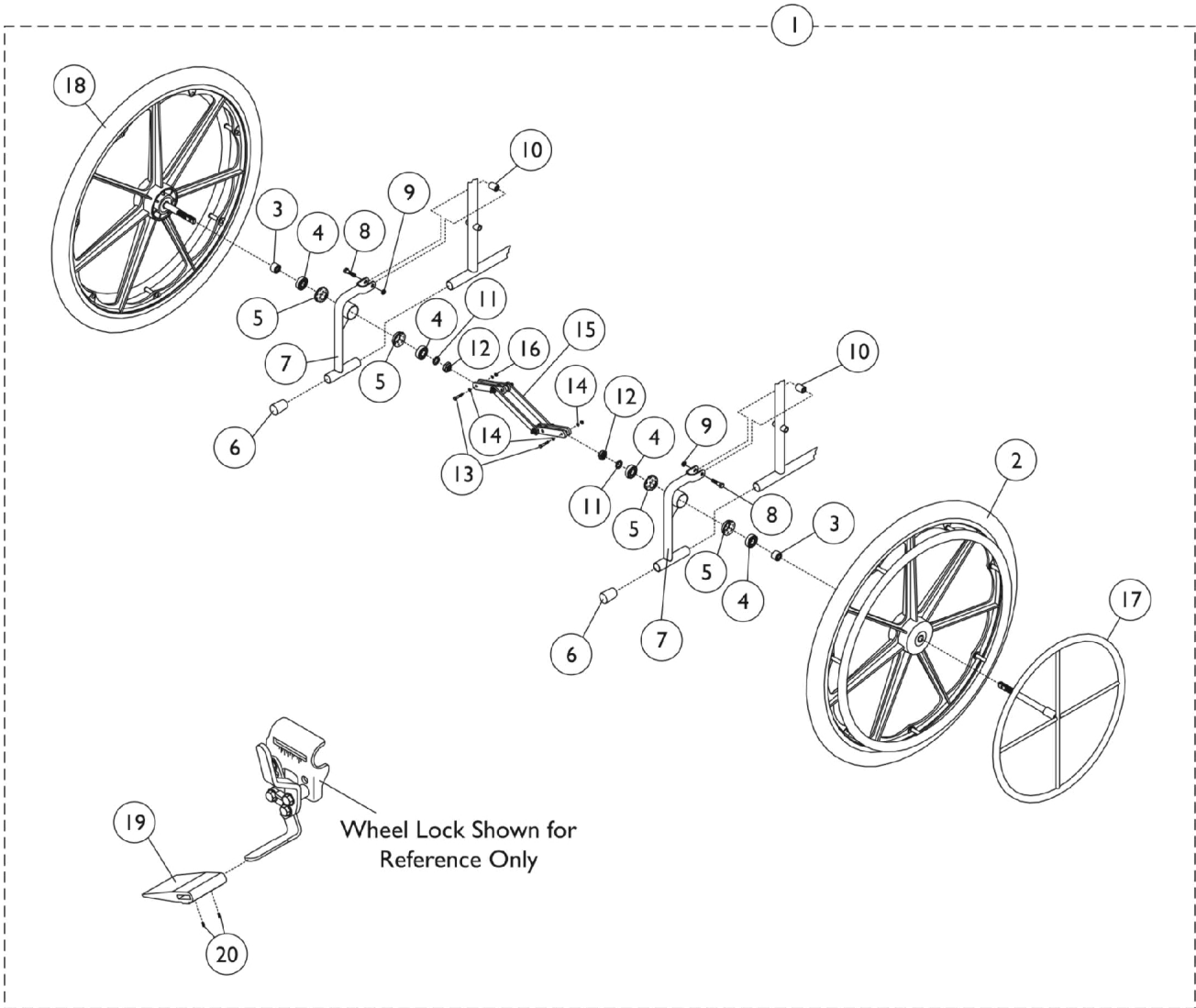
## One Arm Drive - SX & DLX

Chair Width	Seat to Floor	Pneumatic Tires - Right	Pneumatic Tires - Left	Pneumatic with Flat Free - Right	Pneumatic with Flat Free - Left	Urethane - Right	Urethane - Left
14"	Adult	1058716-NLA See Note(s) B, A	1058717-NLA See Note(s) A, B	1058696 See Note(s) B, A	1058697 See Note(s) B, A	1099553 See Note(s) B, A	1099554 See Note(s) B, A
	Hemi	1058726-NLA See Note(s) B, A	1058727-NLA See Note(s) B, A	1058706 See Note(s) A, B	1058707 See Note(s) A, B	1099563 See Note(s) A, B	1099564 See Note(s) B, A
16"	Adult	1058718-NLA See Note(s) B, A	1058719-NLA See Note(s) B, A	1058698 See Note(s) A, B	1058699 See Note(s) B, A	1099555 See Note(s) B, A	1099556 See Note(s) A, B
	Hemi	1058728-NLA See Note(s) B, A	1058729-NLA See Note(s) A, B	1058708 See Note(s) A, B	1058709 See Note(s) A, B	1099565 See Note(s) B, A	1099566 See Note(s) A, B
18"	Adult	1058720-NLA See Note(s) B, A	1058721-NLA See Note(s) B, A	1058700 See Note(s) A, B	1058701 See Note(s) A, B	1099557 See Note(s) B, A	1099558 See Note(s) A, B
	Hemi	1058730-NLA See Note(s) B, A	1058731-NLA See Note(s) A, B	1058710 See Note(s) A, B	1058711 See Note(s) A, B	1099567 See Note(s) B, A	1099568 See Note(s) A, B
20"	Adult	1058722-NLA See Note(s) A, B	1058723-NLA See Note(s) B, A	1058702 See Note(s) A, B	1058703 See Note(s) A, B	1099559 See Note(s) B, A	1099560 See Note(s) B, A
	Hemi	1058732-NLA See Note(s) A, B	1058733-NLA See Note(s) A, B	1058712 See Note(s) A, B	1058713 See Note(s) B, A	1099569 See Note(s) A, B	1099570 See Note(s) B, A
22"	Adult	1058724-NLA See Note(s) A, B	1058725-NLA See Note(s) A, B	1058704 See Note(s) B, A	1058705 See Note(s) B, A	1099561 See Note(s) B, A	1099562 See Note(s) A, B
	Hemi	1058734-NLA See Note(s) A, B	1058735-NLA See Note(s) A, B	1058714 See Note(s) B, A	1058715 See Note(s) B, A	1099571 See Note(s) B, A	1099572 See Note(s) A, B

NOTE: A - In order for this option to fit properly on the Flip-Back style arms, an extra bushing for each side needs to be ordered. Part number 74183X021.  
B - Part number shows the side of chair the drive handrim is on.



# One Arm Drive - EX



## One Arm Drive - EX

Item Number	Note	Part Number	Description	Quantity Per	
				Package	Assembly
1	A	See Chart	One Arm Drive Assembly - "Box" Style Frame, Permanent Arm	1	1
1	A	See Chart	One Arm Drive Assembly - "Box" Style Frame, Removable Arm	1	1
1	A	See Chart	One Arm Drive Assembly - "S" Style Frame, Permanent Arm	1	1
1	A	See Chart	One Arm Drive Assembly - "S" Style Frame, Removable Arm	1	1
2		1016420	Wheel Assembly w/ Clear Anodized Handrim, Composite, Pneumatic Mag (24")	1	1
2		1036190	Wheel Assembly w/ Clear Anodized Handrim, Composite, Pneumatic Mag w/ Flat Free Insert (24")	1	1
2	G	1091816	Wheel Assembly w/ Clear Anodized Handrim, Composite, Corded Urethane (24")	1	1
3		47183X018	Spacer (5/8 x 7/8 x 1/2")	1	2
4		40117X006	Bearing (5/8")	1	4
5		57769X000-NLA	NLA - Cup, Bearing	1	2
6		1016346	Cap, End, Tube, Black (7/8")	1	2
7	B	04604X030-NLA	NLA - Bracket, Chrome	1	2
7	C	1083122-NLA	NLA - Bracket Assembly, Chrome	1	2
8		11232X009	Bolt, Lug (5/16-24 x 1-3/8")	1	2
9		48323X013	Washer (5/8 x 7/8 x 1/8")	1	2
10		47324X011	Bushing, Pivot (5/16 x 7/8 x 3/4")	1	2
11		1107321	Nut, Low Cap (5/16"-24)	1	2
12		60030X000	Locknut (5/8-18)	1	2
13		1019101	Screw, Hex Head (1/4-28 x 1-1/2")	1	2
14		40157X000	Washer, Steel (11/32 x 5/8 x 3/64")	1	4
15		1019104	Scissor Assembly (16 - 17" W)	1	1
15		1019106	Scissor Assembly (18 - 19" W)	1	1
15		1019103	Scissor Assembly (20 - 22" W)	1	1
16		60320X000	Locknut (1/4-28)	1	2
17	D	1020454	Handrim, Dual Drive	1	1
17	E	1020455	Handrim, Dual Drive	1	1
18	D	1025397-NLA	NLA - Wheel Assembly w/ Drive Axle, Composite, Pneumatic Mag (24")	1	1
18	D	1042075-NLA	NLA - Wheel Assembly w/ Drive Axle, Composite, Pneumatic Mag w/ Flat Free Insert (24")	1	1
18	D,G	1091817	Wheel Assembly w/ Drive Axle, Composite, Corded Urethane (24")	1	1
18	B	1108394	Wheel Assembly w/ Drive Axle, Composite, Urethane (24")	1	1
18	B	1085348-NLA	NLA - Wheel Assembly w/ Drive Axle, Composite, Urethane (24")	1	1
18	B	1036189-NLA	NLA - Wheel Assembly w/ Drive Axle, Composite, Pneumatic Mag w/ Flat Free Insert (24")	1	1

## One Arm Drive - EX

Item Number	Note	Part Number	Description	Quantity Per	
				Package	Assembly
18	B	1025396-NLA	NLA - Wheel Assembly w/ Drive Axle, Composite, Pneumatic Mag (24")	1	1
19		1016979	Spacer, Wheel Lock Shoe (2-7/16")	1	1
20		1008438	Screw, Set Socket Cup Point (#8-32 x 3/16")	1	4
	F,H	1023334-NLA	NLA - Instruction Sheet	1	1

NOTE: A - Includes items 2-20 and an instruction sheet.  
 B - Used with "S" Style Frames.  
 C - Used with "Box" Style Frames.  
 D - Used on Removable Arms.  
 E - Used on Permanent Arms.  
 F - Not Shown.  
 G - Non-Corded Tire replaced with a Corded Tire as of 11/16/09. It is recommended that both sides of the Wheel Assemblies be ordered for chairs manufactured before 11/16/09.  
 H - Item is no longer available from the Invacare Service Parts Department. Refer to the Invacare Website under "Product Literature Search". Enter the part number in the "Keywords" field and download a free PDF version copy.

### "Box" Style Frame - Permanent Arm

Wheel Type	16"	18"	20"
Pneumatic Tires T94RPP, T94LPP	1085369-NLA	1085370-NLA	N/A
Flat Free T94RPPF, T94LPPF	1085371-NLA	1085372-NLA	N/A
Urethane T94RPS, T94LPS	1085385-NLA	1085387-NLA	N/A

### "Box" Style Frame - Removable Arm

Wheel Type	16"	18"	20"
Pneumatic Tires T94RRP, T94LRP	1085373-NLA	1085374-NLA	1085377-NLA
Flat Free T94RRPF, T94LRPF	1085375-NLA	1085376-NLA	1085378-NLA
Urethane T94RRS, T94LRS	1085393-NLA	1085394-NLA	1085395-NLA

### "S" Style Frame - Permanent Arm

Wheel Type	16"	18"	20"

# One Arm Drive - EX

## "S" Style Frame - Permanent Arm

Wheel Type	16"	18"	20"
Pneumatic Tires 1455P and 1456P	1042100-NLA	1042101-NLA	N/A
Flat Free 1455PF and 1456PF	1042102-NLA	1042103-NLA	N/A

# One Arm Drive - EX

## "S" Style Frame - Removable Arm

Wheel Type	16"	18"	20"
Pneumatic Tires 1457P and 1458P	1042078-NLA	1042079-NLA	1047117
Flat Free	1042080-NLA	1042081-NLA	1047119

# Accessories

## Miscellaneous Accessories

Model Number	Part Number	Description
1306	1042422-NLA	Luggage Carrier
1335	1034205-NLA	Non-Folding Device 14-20"
1335	1143048	Non-Folding Device (14" - 24" W)
1514	1037080	Device, Overhead Anti-Theft, Model 1514
1242-NLA	1042418-NLA	NLA - Basket, Shopping w/ Hardware
1329	1058900	Wheel Lock Extension Handle Assembly, Black (8")
N/A	15680X012	Collar, Anti-Rattle (7/8")
N/A	15680X013	Anti-Rattle Plug (1")

## Seat/Chest Positioning Straps

Model Number	Restraint Type	14/16/18" Wide	20/22" Wide
1311BK	Airline Style	TAGTS1034751-NLA See Note(s) A	1034752-NLA See Note(s) A
1515	Auto Style	1004310 See Note(s) A	1034625 See Note(s) A
1321BK	Hook and Loop Style	1034744	1034745

NOTE: A - Not used on CareGuard or CareGuard Titan.

# Accessories

## Carrying Pockets

Part Number	Description
8881047954-NLA See Note(s) B	14" Wide Chairs Expanded Vinyl
8881047955-NLA See Note(s) B, A	14" Wide Chairs Non-Expanded Vinyl
8881047957 See Note(s) B	16-22" Wide Chairs Expanded Vinyl
8881047958-NLA See Note(s) A, B	16-22" Wide Chairs Non-Expanded Vinyl

NOTE: A - These items used on Invacare MGI only.  
B - Specify upholstery color when ordering, see category titled, "Upholstery Colors."

NOTE: Carry pocket is not available for Tracer Titan, CareGuard or CareGuard Titan.

**Invacare Corporation**

[www.invacare.com](http://www.invacare.com)



**Yes, you can.**

One Invacare Way  
Elyria, Oh USA  
44036-2125  
800-333-6900

Technical Support  
800-832-4707  
Florida Technical Support  
407-321-5630

Customer Service  
800-333-6900

© 2022 Invacare Corporation. All rights reserved. Republication, duplication or modification in whole or in part is prohibited without prior written permission from Invacare. Trademarks are identified by ™ and ®. All trademarks are owned by or licensed to Invacare Corporation or its subsidiaries unless otherwise noted. (Revised 11/01/22)

Form No. 97-198