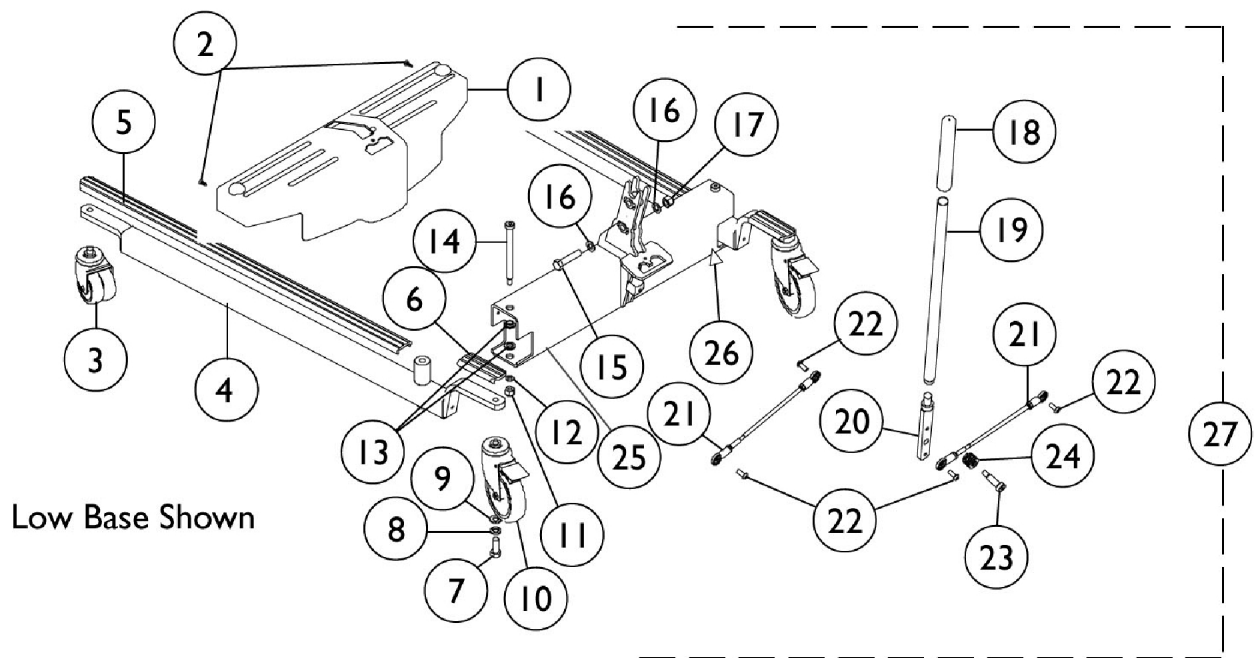


Base Assembly - RPL/ RPA 450-1 and RHL/ RHA 450-1 (Before 7/2/10)



Base Assembly - RPL/ RPA 450-1 and RHL/ RHA 450-1 (Before 7/2/10)

Item Number	Note	Part Number	Description	Quantity Per	
				Package	Assembly
1	M	1078290-NLA	NLA - Shroud	1	1
1		1156185	Shroud	1	1
2		1023632	Clip, Shroud	1	3
3	I	1123560	Caster, Swivel Dual (3")	1	2
3	G	1070957-NLA	NLA - Caster, Swivel, Front - Adjustable Base (5")	1	2
3		1123545	Caster Assembly, Swivel (5")	1	2
	H	1110422	Kit, Caster Assembly, Swivel (5") (Pair)	1	1
3			Caster Assembly, Swivel (5")	2	1
4	B	1078309-NLA	NLA - Leg, Adjustable, Low Base, Grey	1	2
4	L	1095672	Leg, Adjustable, Low Base, Grey	1	2
5		1070114	Cover, Front Leg	1	2
	A,C,H	1095674	Kit, Legs Adjustable, Low Base, Pair with Covers	1	1
4			Leg, Adjustable, Low Base, Grey	1	2
5			Cover, Front Leg	1	2
6			Cover, Rear Leg - Low Base/ Standard Base	1	2
6	D	1073195	NLA - Cover, Rear Leg - Standard Base	1	2
6	E	1079137	Cover, Rear Leg - Low Base/ Standard Base	1	2
7		1073884	Screw, Hex Head (1/2-13 x 1-1/4")	1	2
8		1014371	Lockwasher (1/2")	1	2
9		1073885-NLA	NLA - Washer (1/2 x 15/16 x 1/8")	1	2
10		1123539	Caster Assembly, Swivel w/ Brake (5")	1	2
	H	1110421	Kit, Caster Assembly, Swivel w/ Brake (5") (Pair)	1	1
10			Caster Assembly, Swivel w/ Brake (5")	2	1
11		1065216	Locknut (3/8-16)	1	2
12		1065214	Washer, Flat (3/8 x 11/16 x 1/16")	1	2
13		1062419	Bushing, Flanged	1	4
14		1062424	Screw, Shoulder Hex Socket Head (1/2" x 5", 3/8-16)	1	2
15		1078979	Screw, Hex Head (1/2-13 x 2-1/4")	1	1
16		1026174	Washer (1/2 x 7/8 x 3/64")	1	1
17		1078981	Locknut (1/2-13)	1	1
18		1032246	Grip, Cane	1	1
19		1078287	Handle, Grey	1	1
20		1078289	Handle, Mount	1	1
21		1065152	Tie Rod Assembly	1	2
22		1065215	Screw, Socket Button Head w/ Patch (5/16-18 x 3/4")	1	4
23		1029134	Screw, Shoulder Hex Socket Head w/ Patch (1/2" x 1-1/4", 3/8-16)	1	1
24		1064122	Spring, Compression (1 x 1-1/16 x 1/8")	1	1
25	K	1078300	Cross Support	1	1
26		1079112	Label, Attention	1	1
27		1079810	Kit, Base - Low, Adjustable	1	1
27	J	1079811	NLA - Kit, Base - Standard, Adjustable	1	1

Base Assembly - RPL/ RPA 450-1 and RHL/ RHA 450-1 (Before 7/2/10)

NOTE: A - After 4/13/00, Base Legs were lowered for improved clearance.
B - Before 4/14/00.
C - Kit includes Adjustable Leg, Front Leg Cover and Rear Leg Cover.
D - Before 6/5/00.
E - After 6/4/00.
G - Item no longer available, refer to part number 1123545.
H - Not shown.
I - Caster stem is threaded. Additional hardware is not necessary.
J - No longer available. Use 1079810 when replacing parts.
K - Part is no longer replaceable in the field as of 7/1/10, use 1132033 as the replacement. When ordering 1132033, you should also order 1169830 and 1156176.
L - Both Legs must be replaced on Units built before 7/2/10. Order 1095674 as the replacement.
M - Part is no longer available. Order 1156185 as a replacement.