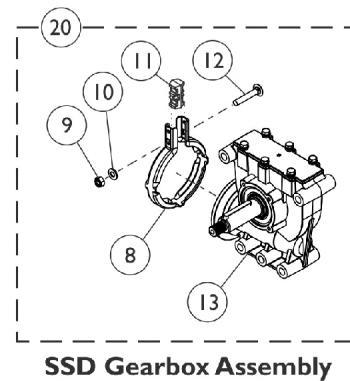
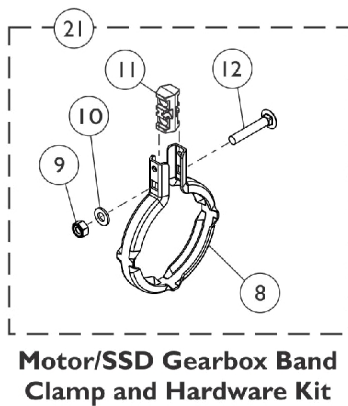
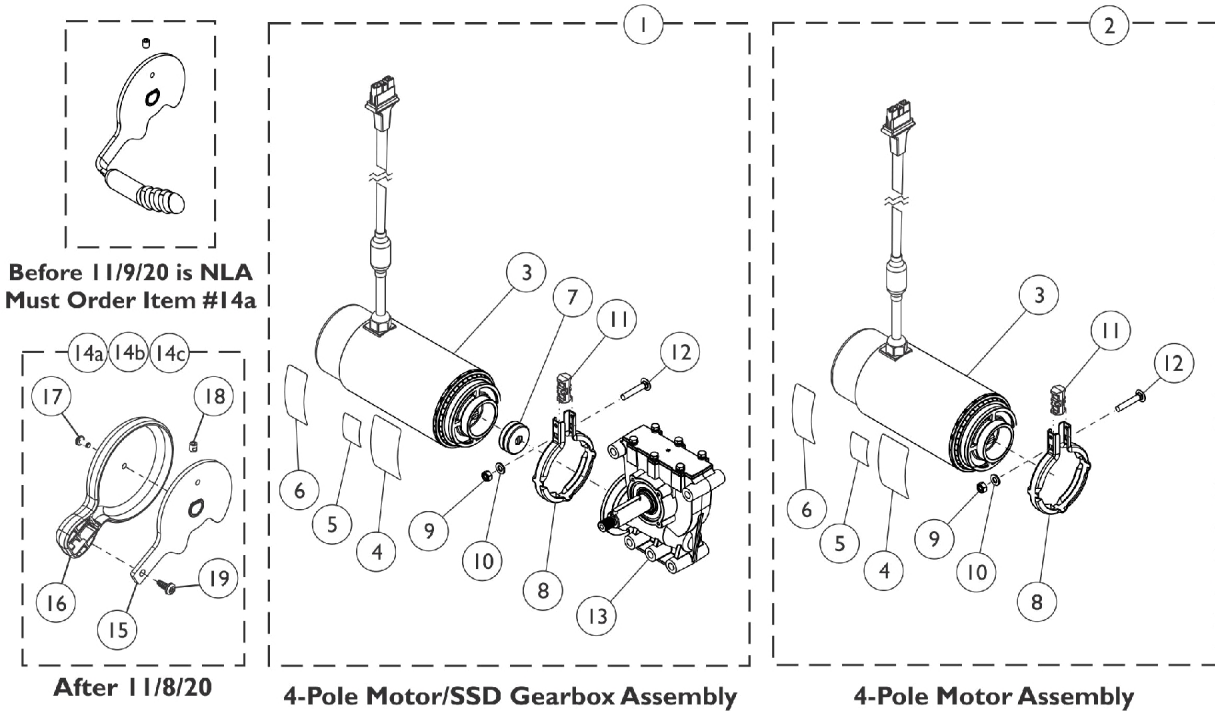
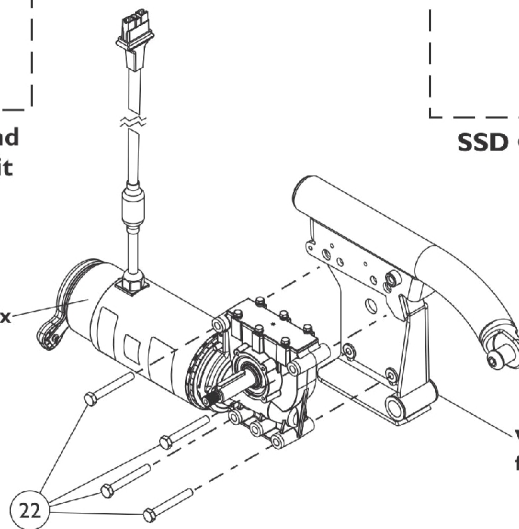


Motors, 4-Pole, SSD Gearbox and Mounting Hardware

When installing a new Motor or Motor/Gearbox Assembly, the Motor will need to be calibrated with Invacare Tech. Services. A LAK is required to complete the calibration.



4-Pole Motor/SSD Gearbox Assembly shown for reference only



Walking Beam shown for reference only

Motors, 4-Pole, SSD Gearbox and Mounting Hardware

When installing a new Motor or Motor/Gearbox Assembly, the Motor will need to be calibrated with Invacare Tech. Services. A LAK is required to complete the calibration.

Item Number	Note	Part Number	Description	Quantity Per	
				Package	Assembly
1	A,B,I,L	60128539	Kit, 4-Pole Low Speed Motor/18:1 SSD Gearbox Assembly - Right	1	1
			4-Pole Low Speed Motor/18:1 SSD Gearbox Assembly - Right	1	1
			Decal, Motor Warning	1	1
			Decal, Push/Drive	1	1
			Sheet, Insert Parts Service	1	1
			Grease, Super Lube (1cc Tube)	1	1
			Label, Refer To User Manual	1	1
			1	A,B,I,L	60128540
4-Pole Low Speed Motor/18:1 SSD Gearbox Assembly - Left	1	1			
Decal, Motor Warning	1	1			
Decal, Push/Drive	1	1			
Sheet, Insert Parts Service	1	1			
Grease, Super Lube (1cc Tube)	1	1			
Label, Refer To User Manual	1	1			
1	B,I,K,L	60104383	Kit, 4-Pole 5K Motor/23:1 SSD Gearbox Assembly - Right	1	1
			4-Pole 5K Motor/23:1 SSD Gearbox Assembly - Right	1	1
			Decal, Motor Warning	1	1
			Decal, Push/Drive	1	1
			Sheet, Insert Parts Service	1	1
			Grease, Super Lube (1cc Tube)	1	1
			Label, Refer To User Manual	1	1
			1	B,I,K,L	60104384
4-Pole 5K Motor/23:1 SSD Gearbox Assembly - Left	1	1			
Decal, Motor Warning	1	1			
Decal, Push/Drive	1	1			
Sheet, Insert Parts Service	1	1			
Grease, Super Lube (1cc Tube)	1	1			
Label, Refer To User Manual	1	1			
1	B,I,L,O	60126972	Kit, 4-Pole High Speed Motor/23:1 SSD Gearbox Assembly - Right	1	1
			4-Pole High Speed Motor/23:1 SSD Gearbox Assembly - Right	1	1
			Decal, Motor Warning	1	1
			Decal, Push/Drive	1	1
			Sheet, Insert Parts Service	1	1
			Grease, Super Lube (1cc Tube)	1	1
			Label, Refer To User Manual	1	1

Motors, 4-Pole, SSD Gearbox and Mounting Hardware

When installing a new Motor or Motor/Gearbox Assembly, the Motor will need to be calibrated with Invacare Tech. Services. A LAK is required to complete the calibration.

Item Number	Note	Part Number	Description	Quantity Per				
				Package	Assembly			
1	B,I,L,O	60126973	Kit, 4-Pole High Speed Motor/23:1 SSD Gearbox Assembly - Left	1	1			
			4-Pole High Speed Motor/23:1 SSD Gearbox Assembly - Left	1	1			
			Decal, Motor Warning	1	1			
			Decal, Push/Drive	1	1			
			Sheet, Insert Parts Service	1	1			
			Grease, Super Lube (1cc Tube)	1	1			
			Label, Refer To User Manual	1	1			
			2	A,C,I,L	1195984	Kit, Motor Assembly, 4-Pole Low Speed	1	1
						Motor Assembly, 4-Pole Low Speed	1	1
						Decal, Motor Warning	1	1
Decal, Push/Drive	1	1						
Label, Refer To User Manual	1	1						
Clamp, Band	1	1						
Locknut (M6 x 1)	1	1						
Washer, Plain (1/4 x 1/2 x 9/16")	1	1						
Spacer, Clamp, Molded	1	1						
Bolt, Round Head Square Neck (M6 x 1 x 35mm)	1	1						
2	C,I,K,L	60104890	Instruction Sheet, Installation	1	1			
			Sheet, Insert Parts Service	1	1			
			Grease, Super Lube (1cc Tube)	1	1			
			Kit, Motor Assembly, 4-Pole 5K	1	1			
			Motor Assembly, 4-Pole 5K	1	1			
			Decal, Motor Warning	1	1			
			Decal, Push/Drive	1	1			
			Label, Refer To User Manual	1	1			
			Clamp, Band	1	1			
			Locknut (M6 x 1)	1	1			
2	C,I,L,M	1195983	Washer, Plain (1/4 x 1/2 x 9/16")	1	1			
			Bolt, Round Head Square Neck (M6 x 1 x 35mm)	1	1			
			Instruction Sheet, Installation	1	1			
			Sheet, Insert Parts Service	1	1			
			Grease, Super Lube (1cc Tube)	1	1			
			Kit, Motor Assembly, 4-Pole High Speed	1	1			
			Motor Assembly, 4-Pole High Speed	1	1			
			Decal, Motor Warning	1	1			
			Decal, Push/Drive	1	1			
			Label, Refer To User Manual	1	1			
Clamp, Band	1	1						
Locknut (M6 x 1)	1	1						
Washer, Plain (1/4 x 1/2 x 9/16")	1	1						
Spacer, Clamp, Molded	1	1						
Bolt, Round Head Square Neck (M6 x 1 x 35mm)	1	1						

Motors, 4-Pole, SSD Gearbox and Mounting Hardware

When installing a new Motor or Motor/Gearbox Assembly, the Motor will need to be calibrated with Invacare Tech. Services. A LAK is required to complete the calibration.

Item Number	Note	Part Number	Description	Quantity Per				
				Package	Assembly			
7 20 8 9 10 11 12 13	A,E,I	1168883 1179219	Instruction Sheet, Installation	1	1			
			Sheet, Insert Parts Service	1	1			
			Grease, Super Lube (1cc Tube)	1	1			
			Package, Coupling/Cup Assembly	10	1			
			Kit, SSD Gearbox Assembly, 18:1 - RWD/FWD-Right & CWD-Left	1	1			
			Clamp, Band	1	1			
			Locknut (M6 x 1)	1	1			
			Washer, Plain (1/4 x 1/2 x 9/16")	1	1			
			Spacer, Clamp, Molded	1	1			
			Bolt, Round Head Square Neck (M6 x 1 x 35mm)	1	1			
			Gearbox Assembly, SSD, 18:1 - RWD/FWD-Right & CWD-Left	1	1			
			20 8 9 10 11 12 13	A,D,I	1179220	Instruction Sheet, Installation	1	1
						Sheet, Insert Parts Service	1	1
Grease, Super Lube (1cc Tube)	1	1						
Kit, SSD Gearbox Assembly, 18:1 - RWD/FWD-Left & CWD-Right	1	1						
Clamp, Band	1	1						
Locknut (M6 x 1)	1	1						
Washer, Plain (1/4 x 1/2 x 9/16")	1	1						
Spacer, Clamp, Molded	1	1						
Bolt, Round Head Square Neck (M6 x 1 x 35mm)	1	1						
Gearbox Assembly, SSD, 18:1 - RWD/FWD-Left & CWD-Right	1	1						
20 8 9 10 11 12 13	E,I,K,N	1179221				Instruction Sheet, Installation	1	1
						Sheet, Insert Parts Service	1	1
						Grease, Super Lube (1cc Tube)	1	1
			Kit, SSD Gearbox Assembly, 23:1 - RWD/FWD-Right & CWD-Left	1	1			
			Clamp, Band	1	1			
			Locknut (M6 x 1)	1	1			
			Washer, Plain (1/4 x 1/2 x 9/16")	1	1			
			Spacer, Clamp, Molded	1	1			
			Bolt, Round Head Square Neck (M6 x 1 x 35mm)	1	1			
			Gearbox Assembly, SSD, 23:1 - RWD/FWD-Right & CWD-Left	1	1			
			20 8 9 10	E,I,K,N	1179222	Instruction Sheet, Installation	1	1
						Sheet, Insert Parts Service	1	1
						Grease, Super Lube (1cc Tube)	1	1
Kit, SSD Gearbox Assembly, 23:1 - RWD/FWD-Left & CWD-Right	1	1						
Clamp, Band	1	1						
Locknut (M6 x 1)	1	1						
Washer, Plain (1/4 x 1/2 x 9/16")	1	1						

Motors, 4-Pole, SSD Gearbox and Mounting Hardware

When installing a new Motor or Motor/Gearbox Assembly, the Motor will need to be calibrated with Invacare Tech. Services. A LAK is required to complete the calibration.

Item Number	Note	Part Number	Description	Quantity Per	
				Package	Assembly
11			Spacer, Clamp, Molded	1	1
12			Bolt, Round Head Square Neck (M6 x 1 x 35mm)	1	1
13			Gearbox Assembly, SSD, 23:1 - RWD/FWD-Left & CWD-Right	1	1
			Instruction Sheet, Installation	1	1
			Sheet, Insert Parts Service	1	1
			Grease, Super Lube (1cc Tube)	1	1
14a	F	60128457	Kit, Brake Lever Assembly, 4-Pole Motor (Pair)	1	1
15			Brake Lever - Right	1	1
15			Brake Lever - Left	1	1
16			Cap, Brake Lever, Motor	1	2
17			Screw, LG Phillips Head (M3.5 x 0.6 x 8mm)	1	2
18			NLA - Screw, Set Socket Cup Point w/ Patch (M5 x .8 x 6mm)	1	2
19			Screw, LG Torx Socket Head Cap SC (M4.5 x 1.59 x 10mm)	1	2
			Sheet, Insert Parts Service	1	1
14b	H	60128541	Kit, Brake Lever Assembly - Right	1	1
15			Brake Lever - Right	1	1
16			Cap, Brake Lever, Motor	1	1
17			Screw, LG Phillips Head (M3.5 x 0.6 x 8mm)	1	1
18			NLA - Screw, Set Socket Cup Point w/ Patch (M5 x .8 x 6mm)	1	1
19			Screw, LG Torx Socket Head Cap SC (M4.5 x 1.59 x 10mm)	1	1
			Sheet, Insert Parts Service	1	1
14c	H	60128542	Kit, Brake Lever Assembly - Left	1	1
15			Brake Lever - Left	1	1
16			Cap, Brake Lever, Motor	1	1
17			Screw, LG Phillips Head (M3.5 x 0.6 x 8mm)	1	1
18			NLA - Screw, Set Socket Cup Point w/ Patch (M5 x .8 x 6mm)	1	1
19			Screw, LG Torx Socket Head Cap SC (M4.5 x 1.59 x 10mm)	1	1
			Sheet, Insert Parts Service	1	1
21	G	1168884	Kit, Motor/SSD Gearbox Band Clamp and Hardware	1	1
8			Clamp, Band	1	1
9			Locknut (M6 x 1)	1	1
10			Washer, Plain (1/4 x 1/2 x 9/16")	1	1
11			Spacer, Clamp, Molded	1	1
12			Bolt, Round Head Square Neck (M6 x 1 x 35mm)	1	1
			Grease, Super Lube (1cc Tube)	1	1
			Instruction Sheet, Installation	1	1
			Sheet, Insert Parts Service	1	1

Motors, 4-Pole, SSD Gearbox and Mounting Hardware

When installing a new Motor or Motor/Gearbox Assembly, the Motor will need to be calibrated with Invacare Tech. Services. A LAK is required to complete the calibration.

Item Number	Note	Part Number	Description	Quantity Per	
				Package	Assembly
22	J	60103209	Package, Screw, Hex Head w/ Patch (M8 x 1.25 x 60mm) (Pkg. of 10)	10	4
		1180609	Package, Grease, Super Lube (1cc Tube) (Pkg. of 10)	10	1
<p>NOTE:</p> <p>A - Used for 300 Lb. user weight limit.</p> <p>B - Includes items 3-13, Super Lube Grease and Instruction Sheet. NOTE: Brake Lever is "not" included and must be ordered in Pairs (item 14a) for power wheelchairs manufactured Before 11/9/20. Brake Lever and motor clocking position changed.</p> <p>C - Includes items 3-6, 8-12, Super Lube Grease and Instruction Sheet. NOTE: Brake Lever is "not" included and must be ordered in Pairs (item #14a) for power wheelchairs manufactured Before 11/9/20. Brake Lever and motor clocking position changed.</p> <p>D - Includes items 8-13, Super Lube Grease and Instruction Sheet. NOTE: A left side gearbox that is used on RWD models is assembled to the right side of the wheelchair for TDX SP2 models.</p> <p>E - Includes items 8-13, Super Lube Grease and Instruction Sheet. NOTE: A right side gearbox that is used on RWD models is assembled to the left side of the wheelchair for TDX SP2 models.</p> <p>F - Includes items 15-19. Brake Lever Assembly (item 14a) CONVERTS Brake Levers made Before 11/9/20 to new design. Brake Lever and motor clocking position changed. Both Right and Left side must be ordered to match and have motors re-clocked to new position.</p> <p>G - Includes items 8-12.</p> <p>H - Power wheelchairs manufactured after 11/8/20 utilize a new brake lever and revised motor clocking position. It is not required to order "both" Right (item #14b) and Left (item #14c) Brake Lever Kits.</p> <p>I - Before placing an order, it is recommended to call Invacare's Technical Service Department at (1-800-832-4707) to verify if the Motor, SSD Gearbox or the Motor/SSD Gearbox Assembly is needed.</p> <p>J - Not Shown. Super Lube Grease is applied to the Gearbox Output Shaft and sold in a package of 10.</p> <p>K - HSMTR High Speed Motor Option. Only used with 24TRY Option - 24 Group Style Tray (Wide Base 25.5")</p> <p>L - When installing a new Motor or Motor/Gearbox Assembly, the Motor will need to be calibrated with Invacare Tech. Services. A LAK is required to complete the calibration.</p> <p>M - Used only for Motion Concepts using the TDX SP2-HD Base Assembly 450Lb. limit).</p> <p>N - For (HSMTR High Speed Motor Option 300 Lb. limit) and (Motion Concepts using the TDX SP2-HD Base Assembly 450 Lb. limit).</p> <p>O - For Motion Concepts using the TDX SP2-HD Base Assembly 450 Lb. limit.</p>					