

**Solara®
Solara® Limited**

Wheelchairs



Yes, you can.

Parts Catalog Usage Guide

The information contained in this document is subject to change without notice. This catalog contains service parts for Form No. 99-128. If you have any questions regarding this catalog, please contact one of our Customer Service Representatives.

For Customer Service Support Call:

1-800-333-6900

For Faxed In Orders Call:

1-800-678-4682 or

1-440-366-0709

For Technical Service Call:

1-800-832-4707

Literature Can Be Found at:

www.invacare.com or

1-800-828-6272

SYMBOL DEFINITION

Throughout this catalog you will notice letters to draw your attention to specific footnotes which are located at the bottom of the page or below specified charts.

Examples:

A,B,C etc. = Special Comments

NOTE: = General information pertaining to that specific page

NLA = No Longer Available

HARDWARE MEASUREMENTS

The measurements for the hardware will be listed as follows:

Screws, Bolts Diameter X Thread Count/Pitch X Length

Washers Inside Diameter X Outside Diameter X Thickness

Spacers Inside Diameter X Outside Diameter X Length

For your convenience, we have supplied an area for you to list your Invacare Representatives.

Name	Phone Numbers

© 2022 Invacare Corporation. Elyria, Ohio. Invacare, Yes, you can., Solara, and the Medallion Design are registered trademarks and Contracture Platform is a trademark of Invacare Corporation.

TABLE of CONTENTS

Description	Page Number
Accessories - Miscellaneous	101
Arms - "T" Arm and Hardware	38
Arms - Adjustable Height	32
Arms - Cantilever Locking, Bolt On (AT55D & AT55F)	36
Arms - Cantilever Non-Locking Bolt On (AT99N)	34
Arms - Fixed Height	29
Axle Mounting Plate and Hardware	44
Back Canes, Backrest Crossmember, and Pelvic Positioning Strap	15
Casters - Front , Forks and Mounting Hardware	41
Frame Finishes and Touch Up Paint	4
Frames, Base and Seat	8
Front Riggings - Accessories - Heel Loops and Toe Loops	86
Front Riggings - Adjustable Angle Footplate with or without Pivot Tube - AT5543 (After 5/31/03)	75
Front Riggings - Adjustable Angle Footplates w/ Pivot Tube - AT5543 (Before 6/01/03)	71
Front Riggings - Adjustable Heel Loops	90
Front Riggings - Articulating Legrest Support Assembly - ATL4A (Center Pivot)	59
Front Riggings - Footplate - Pivot Tube, and Hardware -1651 Composite	64
Front Riggings - Footplate - Pivot Tube, and Hardware -A1562/A1564 Aluminum	68
Front Riggings - Footplate and Pivot Tube Assemblies -1651 Composite	66
Front Riggings - Footrest Support Assemblies	54
Front Riggings - Footrest, Bilateral Contracture	80

TABLE of CONTENTS

Description	Page Number
Front Riggings - Footrest, Contracture Platform™	84
Front Riggings - Legrest Calf Pads and Ratchet Assemblies	62
Front Riggings - Legrest Support Assemblies - AT5044	57
Growth Kits	26
Oxygen Holder	99
Packaging, Literature, and Decals	6
Reclining Back Assembly	21
Seat Pan and Attaching Hardware	18
Stroller Handle - Adjustable Angle	92
Stroller Handles -1483	94
Tilt Hardware	13
Upholstery, Back	24
Vent Tray Assembly	97
Wheel Locks - 12" Wheels (Attendant Operated)	48
Wheel Locks - 12" Wheels w/ Vent Tray	52
Wheel Locks - 20",22",24" Wheels	50
Wheels - Rear and Handrims	46

Frame Finishes and Touch Up Paint

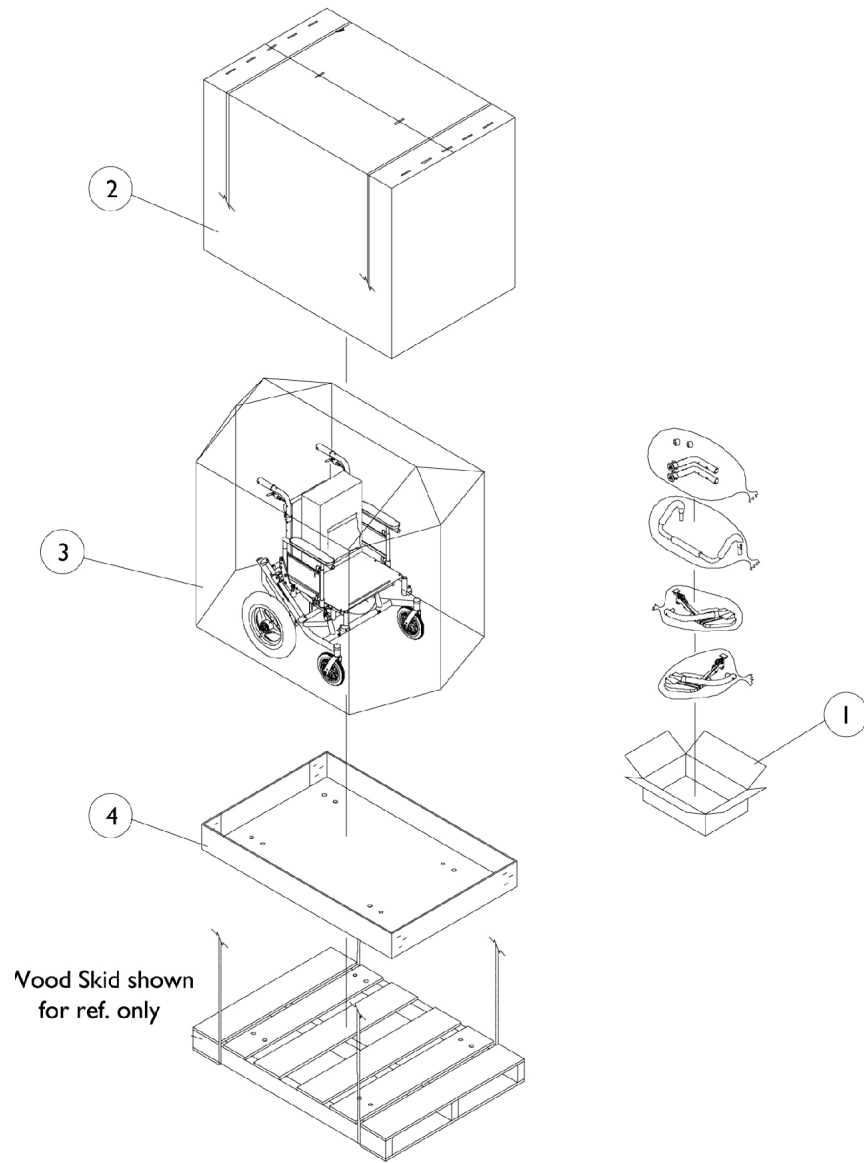
Contemporary Color Numbers	Touch-Up Paint (.6 oz.)	Color
22P	1033376-NLA	Anthracite
115P	1133371-NLA	Black Prism
102P	1101327-NLA	Denim Blue
80P	1073892-NLA	Evergreen with Navy
101P	1101325-NLA	Jeweled Green
84P	1073896-NLA	Lavender
105P	1101326-NLA	Midnight Blue
103P	1101324-NLA	Mocha Frost
33P	1031455-NLA	Red
83P	1073895-NLA	Royal Blue with Grape
60P	1101318-NLA	Silver Metallic
71P	N/A	Silver Vein
24P	1031450-NLA	Wet Black
29P	1031447-NLA	White
Too Hot Color Numbers	Touch-Up Paint (.6 oz.)	Color
119P	1133375-NLA	Bubblegum Pink
61P	1046321-NLA	Electric Red
118P	1133374-NLA	Fruit Fusion
120P	1133376-NLA	Grape Madness
116P	1133372-NLA	Sunkissed Orange
30P	1074167-NLA	Sunny Yellow
117P	1133373-NLA	Tangerine Red
Way Cool Color Numbers	Touch-Up Paint (.6 oz.)	Color
123P	1133379-NLA	Celestial Purple
122P	1133378-NLA	Cosmic Blue
62P	1046320-NLA	Electric Blue
79P	1101316-NLA	Electric Teal
125P	1133381-NLA	Emerald Green
127P	1133383-NLA	Grasshopper Green
121P	1133377-NLA	Lolly Pop Blue
126P	1133382-NLA	Shamrock Green
124P	1133380-NLA	Vivid Violet

Frame Finishes and Touch Up Paint

Sparkle Frame Finishes

Color Number	Color
72P	Black with Twilight Sparkle
73P	Black with Gold Sparkle
74P	Black with Green Sparkle
75P	Black with Blue Sparkle
76P	Black with Red Sparkle
88P	Wet Black with Twilight Sparkle

Packaging, Literature and Decals



Packaging, Literature and Decals

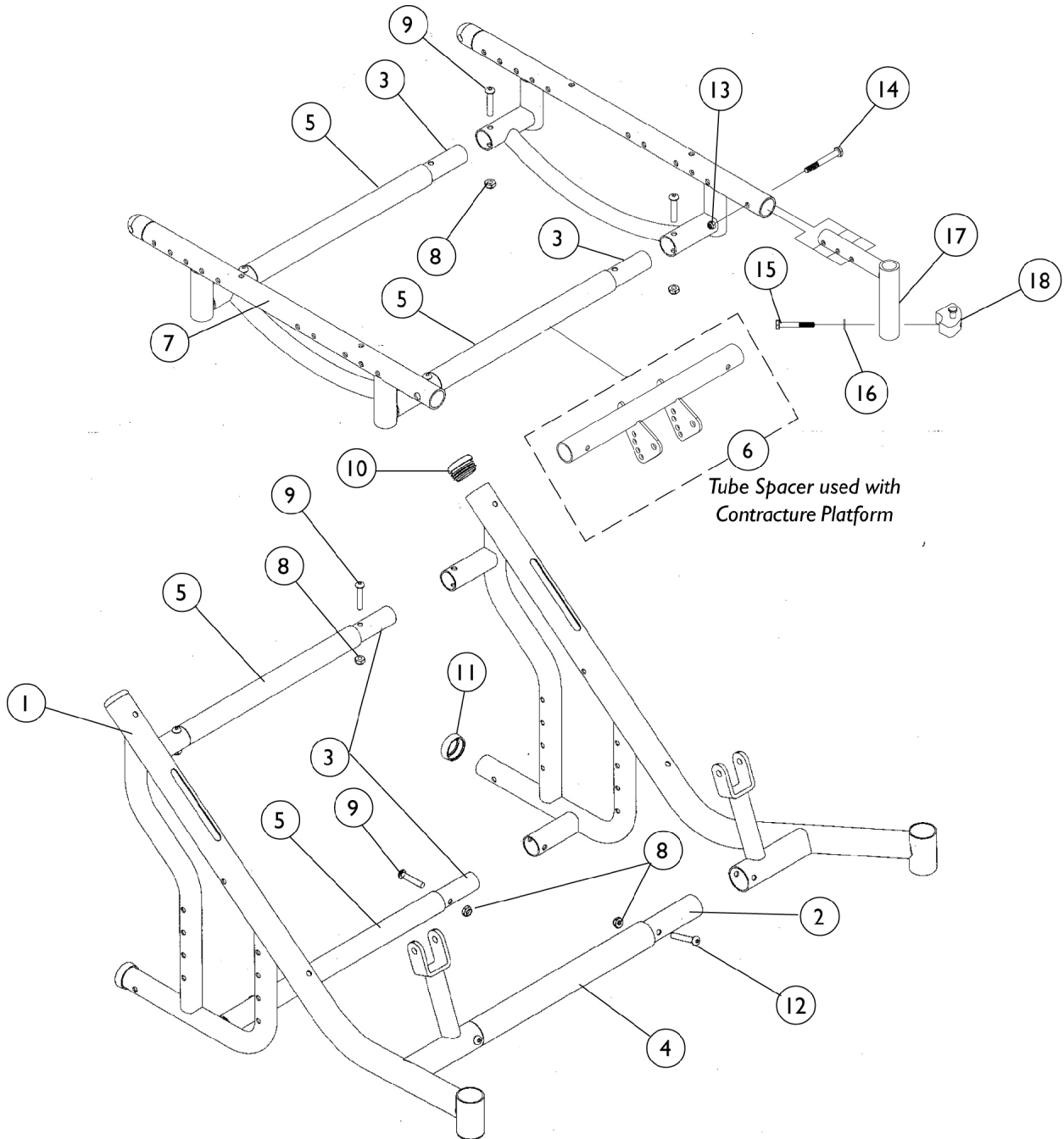
Item Number	Note	Part Number	Description	Quantity Per	
				Package	Assembly
1		40131X011-NLA	NLA - Carton, Front Riggings	1	1
2		1030364	Carton, Cover	1	1
3		47568X002-NLA	NLA - Bag, Poly	1	1
4		1030362	Carton, Tray	1	1
	A	1085301-NLA	NLA - Decal, Model, Black Text (Solara)	1	1
	A	1085302-NLA	NLA - Decal, Model, White Text (Solara)	1	1
	A	1120011-NLA	NLA - Decal, Model - Solara Limited	1	1
	A	1085303-NLA	NLA - Decal, Graduated Tilt - Right	1	1
	A	1085304-NLA	NLA - Decal, Graduated Tilt - Left	1	1
	A	1085307-NLA	NLA - Decal, Tilt Indicator	1	1
	A	1080556-NLA	NLA - Owner's Manual, Solara & Solara Limited - English	1	1
	A	1104916-NLA	NLA - Owner's Manual, Solara & Solara Limited - French Canadian	1	1
	A	1120014-NLA	NLA - Kit, Instruction Cards with Attaching Hardware, Transport Ready Option	1	1

NOTE: A - Not Shown

When adjusting or replacing parts please refer to your Owner's Manual for assistance.

Base Frame, Seat Frame, and Hardware

Transport Ready Chairs requiring Frames and/or Frame Hardware parts must be returned to Invacare for service.



Base Frame, Seat Frame, and Hardware

Transport Ready Chairs requiring Frames and/or Frame Hardware parts must be returned to Invacare for service.

Item Number	Note	Part Number	Description	Quantity Per	
				Package	Assembly
1		See Chart	#1 Base Frame	1	1
1		See Chart	#1 Base Frame Heavy Duty 250 to 350 Lbs.	1	1
2-6		See Chart	#2-6 Insert Tube and Tube Spacer	1	1
7		See Chart	#7 Seat Side Frame	1	1
8		1025765	Locknut (1/4-28)	1	10
9		1055309	Screw, Socket Button Head (1/4-28 x 1-1/4")	1	8
10		1071249	Plug Button, Dome, Black (1-1/4")	1	2
11		15680X013	Anti-Rattle (1")	1	2
12		1083099	Screw, Socket Button Head (1/4-28 x 1-1/2")	1	2
13		1085111	Nut, Hex (1/4-28)	1	2
14		1074640	Screw, Allen Head (1/4-28 x 1-1/4")	1	2
15		1052957	Screw, Hex Head w/ Patch (1/4-20 x 2")	1	2
16		1026907	Washer (1/4 x 1/2 x 1/16")	1	2
17		1086389	Tube, Support, Front Rigging Hanger, Black - Right	1	2
17		1086390	Tube, Support, Front Rigging Hanger, Black - Left	1	2
18	A	1054571	Kit, Sector Block - Right	1	2
18	A	1054572	Kit, Sector Block - Left	1	2

NOTE: A - Includes Items 15 and 16.

#1 Base Frame

	Short 15-17" Deep Right	Short 15-17" Deep Left	Medium 18-19" Deep Right	Medium 18-19" Deep Left	Long 20-22" Deep Right	Long 20-22" Deep Left
Color	8881079560	8881079561-NL A	8881079564-NL A	8881079565-NL A	8881079568-NL A	8881079569-NL A
	See Note(s) A	See Note(s) A	See Note(s) A	See Note(s) A	See Note(s) A	See Note(s) A
Chrome	1079562-NLA	1079563-NLA	1079566-NLA	1079567-NLA	1079570-NLA	1079571-NLA

NOTE: A - Specify frame color when ordering.

Base Frame, Seat Frame, and Hardware

Transport Ready Chairs requiring Frames and/or Frame Hardware parts must be returned to Invacare for service.

#1 Base Frame Heavy Duty 250 to 350 Lbs.

	Short 15-17" Deep Right	Short 15-17" Deep Left	Medium 18-19" Deep Right	Medium 18-19" Deep Left	Long 20-22" Deep Right	Long 20-22" Deep Left
Color	8881092896 See Note(s) A.	8881092897 See Note(s) A.	8881092898 See Note(s) A.	8881092899 See Note(s) A.	8881092900 See Note(s) A.	8881092901 See Note(s) A.
Chrome	1092902-NLA	1092903-NLA	1092879-NLA	1092880-NLA	1092881-NLA	1092882-NLA

NOTE: A. - Specify frame color when ordering.

#2-6 Insert Tube and Tube Spacer

Chair Width	#2 Insert Tube Front (Qty. 1)	#3 Insert Tube Rear (Qty. 4)	#4 Tube Spacer Front (Color) (Qty. 1)	#4 Tube Spacer Front (Chrome) (Qty. 1)	#5 Tube Spacer Rear (Color) (Qty. 4)	#5 Tube Spacer Rear (Chrome) (Qty. 4)	#6 Tube Spacer Contracture Platform
12"	1120000-NLA	1120002-NLA	8881120006-NLA See Note(s) A.	N/A	8881120008-NLA See Note(s) A.	N/A	N/A
13"	1120001-NLA	1120003-NLA	8881120007-NLA See Note(s) A.	N/A	8881120009-NLA See Note(s) A.	N/A	N/A
14"	1077051-NLA	1077060-NLA	8881085273-NLA See Note(s) A.	1085282-NLA	8881079610-NLA See Note(s) A.	1079611-NLA	1110441-NLA
15"	1077052-NLA	1077061-NLA	8881085274-NLA See Note(s) A.	1085283-NLA	8881079612-NLA See Note(s) A.	1079613-NLA	1110444-NLA
16"	1077053-NLA	1077062-NLA	8881085275-NLA See Note(s) A.	1085284-NLA	8881079614-NLA See Note(s) A.	1079615-NLA	1110447-NLA
17"	1077054-NLA	1077063-NLA	8881085276-NLA See Note(s) A.	1085285-NLA	8881079616-NLA See Note(s) A.	1079617-NLA	1110450-NLA
18"	1077055-NLA	1077064-NLA	8881085277-NLA See Note(s) A.	1085286-NLA	8881079618-NLA See Note(s) A.	1079619-NLA	1110453-NLA
19"	1077056-NLA	1077065-NLA	8881085278-NLA See Note(s) A.	1085287-NLA	8881079620 See Note(s) A.	1079621-NLA	1110455-NLA
20"	1077057-NLA	1077066-NLA	8881085279-NLA See Note(s) A.	1085288-NLA	8881079622-NLA See Note(s) A.	1079623-NLA	1110459-NLA

Base Frame, Seat Frame, and Hardware

Transport Ready Chairs requiring Frames and/or Frame Hardware parts must be returned to Invacare for service.

#2-6 Insert Tube and Tube Spacer

Chair Width	#2 Insert Tube Front (Qty. 1)	#3 Insert Tube Rear (Qty. 4)	#4 Tube Spacer Front (Color) (Qty. 1)	#4 Tube Spacer Front (Chrome) (Qty. 1)	#5 Tube Spacer Rear (Color) (Qty. 4)	#5 Tube Spacer Rear (Chrome) (Qty. 4)	#6 Tube Spacer Contracture Platform
21"	1077058-NLA	1077067-NLA	8881085280-NLA See Note(s) A.	1085289-NLA	8881079624-NLA See Note(s) A.	1079625-NLA	1110462-NLA
22"	1077059-NLA	1077068-NLA	8881085281-NLA See Note(s) A.	1085290-NLA	8881079626-NLA See Note(s) A.	1079627-NLA	1110465-NLA

NOTE: A. - Specify frame color when ordering.

Base Frame, Seat Frame, and Hardware

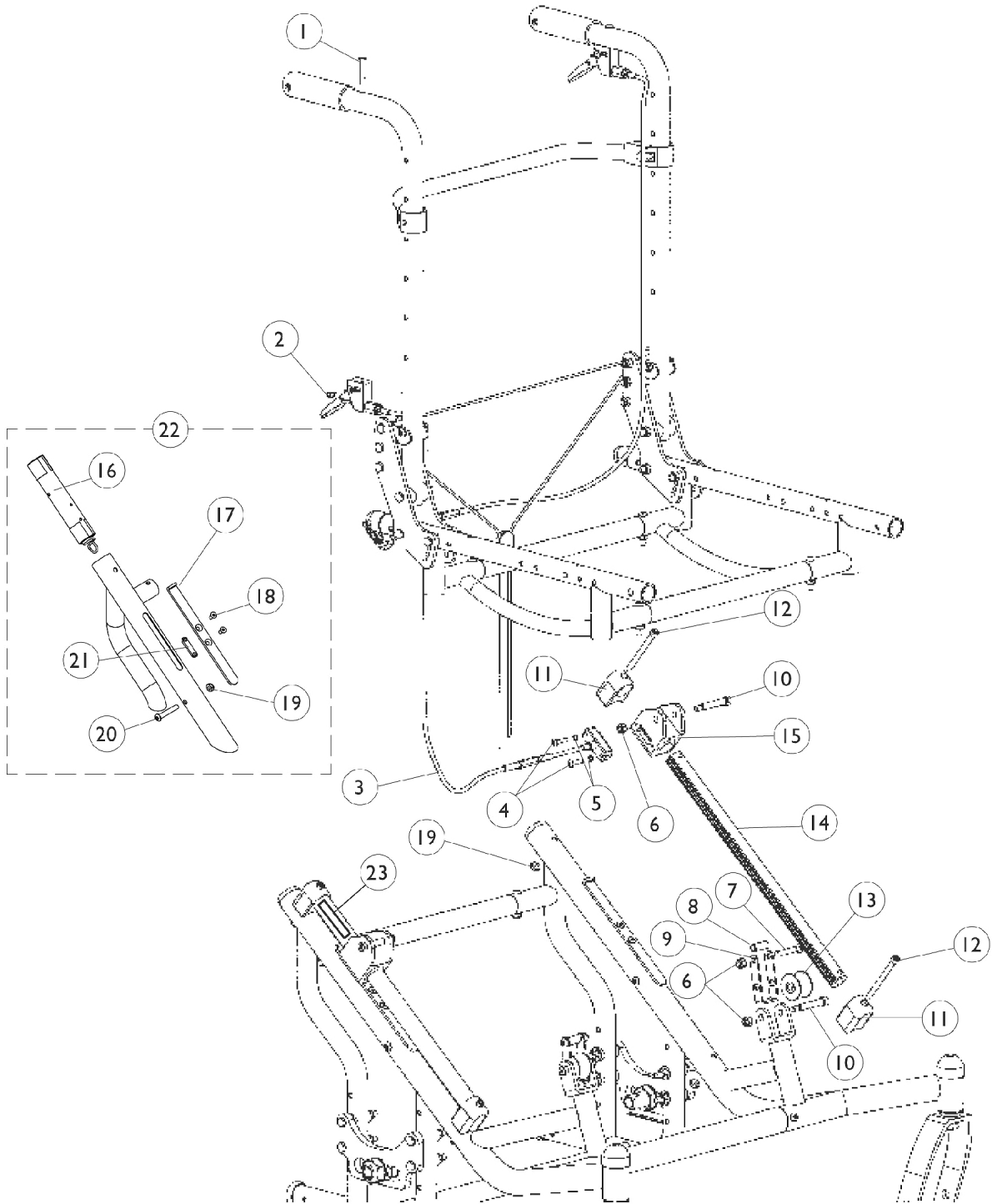
Transport Ready Chairs requiring Frames and/or Frame Hardware parts must be returned to Invacare for service.

#7 Seat Side Frame

	Short 15-17" Deep Right	Short 15-17" Deep Left	Medium 18-19" Deep Right	Medium 18-19" Deep Left	Long 20-22" Deep Right	Long 20-22" Deep Left
Color	8881079598-NL A	8881079599-NL A	8881079602-NL A	8881079603-NL A	8881079606-NL A	8881079607-NL A
Chrome	1079600-NLA	1079601-NLA	1079604-NLA	1079605-NLA	1079608-NLA	1079609-NLA

Tilt Hardware

Transport Ready Chairs requiring Tilt Hardware parts other than what is listed, must be returned to Invacare for service.



Tilt Hardware

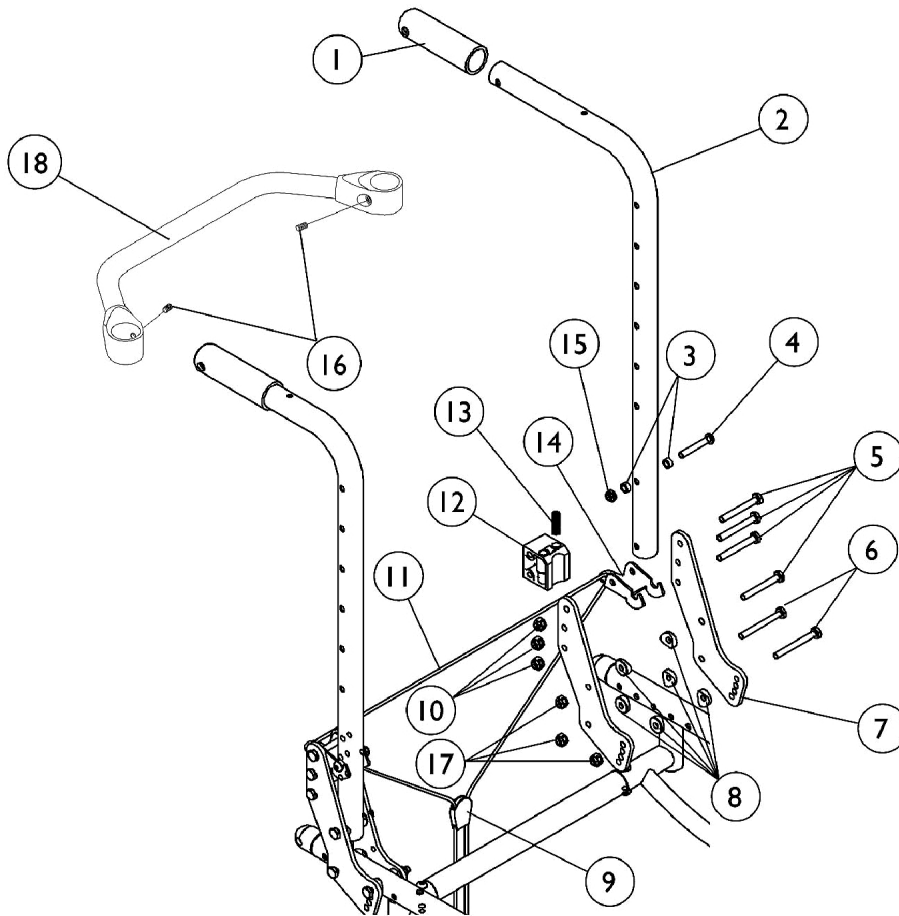
Transport Ready Chairs requiring Tilt Hardware parts other than what is listed, must be returned to Invacare for service.

Item Number	Note	Part Number	Description	Quantity Per	
				Package	Assembly
1		1163311	Screw, Socket Button Head (10-32 x 1-1/4")	1	2
2		1025735	Locknut (#10-32)	1	2
3	C	1161550-NLA	NLA - Cable and Brake Assembly	1	2
4		1003645	Screw, Socket Button Head (#10-32 x 3/4")	1	4
5		1028527-NLA	NLA - Washer, Lock (3/16 x 5/16 x 1/32")	1	4
6		1025736	Locknut (1/4-20)	1	6
7		1008495	Screw, Socket Button Head (1/4-20 x 1-1/2")	1	2
8		1075146-NLA	NLA - Sleeve (1/4-10 x 7/8 x 1/6" O.D.)	1	2
9		1080620-NLA	NLA - Roller, Link	1	2
10		1071736	Screw, Shoulder Hex Socket Head (5/16" x 1-5/8", 1/4-20)	1	4
11		1080621-NLA	NLA - Stand-Off, Shaft	1	4
12		1083177-NLA	NLA - Screw, Socket Head (1/4-28 x 2-7/8")	1	4
13		1083098-NLA	NLA - Roller w/ Bushings	1	2
14	A	1112389-NLA	NLA - Rack, Gear, Chromed Steel (Left/Right)	1	2
15		1080622-NLA	NLA - Housing, Bearing	1	2
16		1085260-NLA	NLA - Spring and Sleeve Assembly	1	1
17		1083089-NLA	NLA - Hook, Slide	1	1
18		1085010-NLA	NLA - Screw, Socket Flat Head (#10-32 x 3/8")	1	2
19		1025765	Locknut (1/4-28)	1	1
20		1083099	Screw, Socket Button Head (1/4-28 x 1-1/2")	1	1
21		1083086	Spacer, Slide	1	1
22		1085621-NLA	NLA - Spring Assembly, Anterior	1	1
	B	1083088	Collar, Tilt Lock Out (7/8")	1	2
23		1085303-NLA	NLA - Decal, Graduated Tilt - Right	1	1
23		1085304-NLA	NLA - Decal, Graduated Tilt - Left	1	1

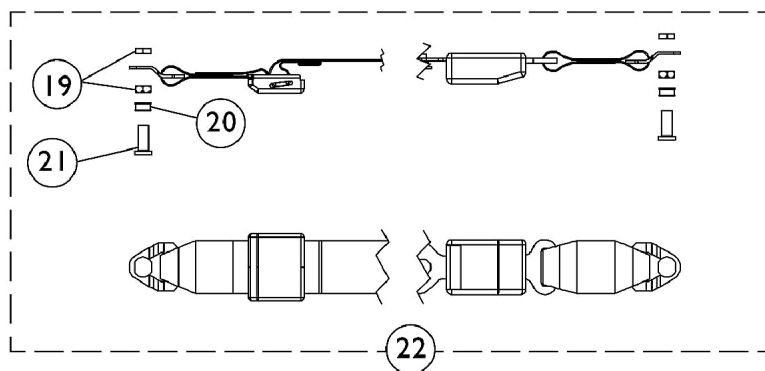
NOTE: A - As of 5/20/02 Gear Rack is chromed steel. Chairs built Before 5/20/02 have a gray aluminum Gear Rack. It may be necessary to order 2 each so that the new steel Gear Rack matches the existing one made from aluminum.
 B - Not Shown
 C - Includes 1080623 and 1086207.

Back Canes, Backrest Crossmember, and Pelvic Positioning Strap

Transport Ready Chairs requiring Backrest Hardware parts must be returned to Invacare for service.



Non Transport Ready Chairs



Pelvic Positioning Strap

Back Canes, Backrest Crossmember, and Pelvic Positioning Strap

Transport Ready Chairs requiring Backrest Hardware parts must be returned to Invacare for service.

Item Number	Note	Part Number	Description	Quantity Per	
				Package	Assembly
1		1055398	Grip, Hand, Foam (4")	1	2
2	A	1121600	Back Cane Assembly, Black - Right/Left (20" H)	1	2
2	B	1120035-NLA	NLA - Back Cane Assembly, Black - Right/Left (20" H)	1	2
2	A,D	1120038-NLA	NLA - Back Cane Assembly, Chrome - Right/Left (20" H)	1	2
2	A	1121601	Back Cane Assembly, Black - Right/Left (24" H)	1	2
2	B	1120036-NLA	NLA - Back Cane Assembly, Black - Right/Left (24" H)	1	2
2	A,D	1120040-NLA	NLA - Back Cane Assembly, Chrome - Right/Left (24" H)	1	2
3		1047449-NLA	NLA - Spacer (1/4 x 3/8 x 3/16")	1	4
4		1019590	Screw, Socket Button Head (1/4-20 x 1-5/8")	1	2
5		1055349	Screw, Hex Head (1/4-28 x 2")	1	8
6		1055350	Screw, Hex Head (1/4-28 x 2-1/4")	1	4
7		1079636-NLA	NLA - Plate, Back	1	4
8		1026099	Spacer, Coved (1/4 x 11/16 x 1/2")	1	12
9		1029412	Lock, Cord, Black	1	1
10		1065362	Locknut (1/4-28)	1	12
11		1141633	Cord, Nylon (6-1/2 ft.)	1	1
12		1046001-NLA	NLA - Block, Stop	1	2
13		1048802-NLA	NLA - Spring, Compression (5/16 x 1-3/8 x 1/32")	1	2
14		1046000-NLA	NLA - Latch, Seat, Black	1	2
15		1025195	Locknut (1/4-20)	1	2
16		1045495-NLA	NLA - Screw, Set Socket (1/4-20 x 1/4")	1	2
17		1085111	Nut, Hex (1/4-28)	1	6
18		See Chart	#18 Backrest Crossmember	1	1
19		1118579-NLA	NLA - Nut, Hex Jam (3/8-16)	1	4
20		1118568-NLA	NLA - Bushing, Nylon (5/16 x 7/16 x 5/32")	1	2
21		1118569-NLA	NLA - Pin, Threaded	1	2
22	E,F	1118580-NLA	NLA - Pelvic Positioning Strap w/ Hardware (37" Long)	1	1
22	C,E	1119980	Pelvic Positioning Strap w/ Hardware (55" Long)	1	1

NOTE: A - Use on chairs with Fixed Height, Adjustable Height, or "T" Arms
 B - Use on chairs with Cantilever Arms (AT99N, AT55D, & AT55F)
 C - 17-22" wide chairs
 D - Chrome chairs only. (Chrome is no longer available on chairs built After 5/13/03)
 E - Includes Positioning Strap plus items 19-21
 F - 12-16" wide chairs

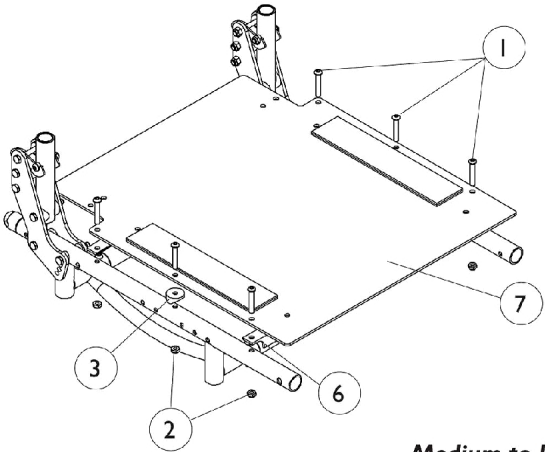
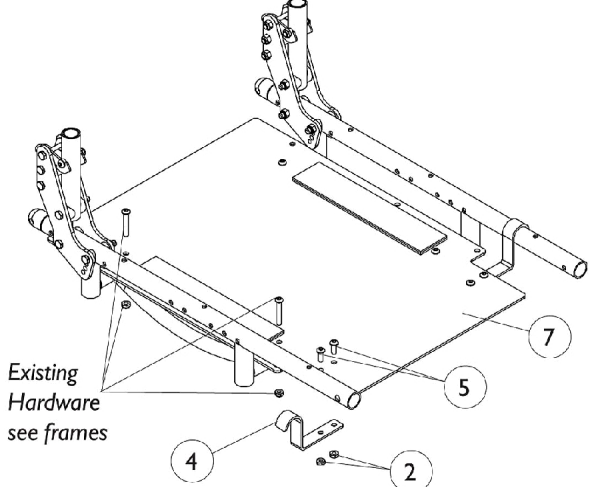
Back Canes, Backrest Crossmember, and Pelvic Positioning Strap

Transport Ready Chairs requiring Backrest Hardware parts must be returned to Invacare for service.

#18 Backrest Crossmember

12" Wide	13" Wide	14" Wide	15" Wide	16" Wide	17" Wide
1042508-NLA	1042509-NLA	1042510	1042511	1042512	1050083
18" Wide	19" Width	20" Width	21" Width	22" Width	
1050080	1050077	1050074	1085292-NLA	1085293-NLA	

Seat Pan and Attaching Hardware

 <p>Medium to long frame shown.</p>	 <p>Existing Hardware see frames</p>
<p>Standard seat pan (Flush mount) Seat pans on a short frame do not use item #3 and only 4 of items #1 and #2.</p>	<p>Two inch drop mounted seat pan Seat hooks not used on short frames.</p>

Seat Pan and Attaching Hardware

Item Number	Note	Part Number	Description	Quantity Per	
				Package	Assembly
1		1083099	Screw, Socket Button Head (1/4-28 x 1-1/2")	1	6
2		1025765	Locknut (1/4-28)	1	6
3	A	40157X020	Spacer, Coved (1/4 x 1 x 9/16")	1	2
4		1080617-NLA	NLA - Hook, Seat Pan	1	2
5		1055304	Screw, Socket Button Head (1/4-28 x 5/8")	1	4
6		See Chart	#6 Seat Pan Supports	1	2
7		See Chart	#7 Seat Pans - Drop Mounted Seat (Steel)	1	2
7		See Chart	#7 Seat Pans - Flush Mounted Seat (Steel)	1	2

NOTE: A - Spacer required only on 18-22" deep chairs

#6 Seat Pan Supports

(2 required per chair)

12" Wide	13" Wide	14" Wide	15" Wide	16" Wide	17" Wide
1120020-NLA	1120021-NLA	1086377-NLA	1086378-NLA	1086379-NLA	1086380-NLA
18" Wide	19" Width	20" Width	21" Width	22" Width	
1086381-NLA	1086382-NLA	1086383-NLA	1086384-NLA	1086385-NLA	

#7 Seat Pans (Steel)

Flush Mounted Seat

Chair Width	Short 15-17" Deep	Medium 18-20" Deep	Long 20-22" Deep
12"	1084971-NLA	1084971-NLA	N/A
13"	1084972-NLA	1084972-NLA	N/A
14"	1084973-NLA	1084984-NLA	1084995-NLA
15"	1084974-NLA	1084985-NLA	1084996-NLA
16"	1084975-NLA	1084986-NLA	1084997-NLA
17"	1084976-NLA	1084987-NLA	1084998-NLA
18"	1084977-NLA	1084988-NLA	1084999-NLA
19"	1084978-NLA	1084989-NLA	1085000-NLA
20"	1084979-NLA	1084990-NLA	1085001-NLA
21"	1084980-NLA	1084991-NLA	1085002-NLA
22"	1084981-NLA	1084992-NLA	1085003-NLA

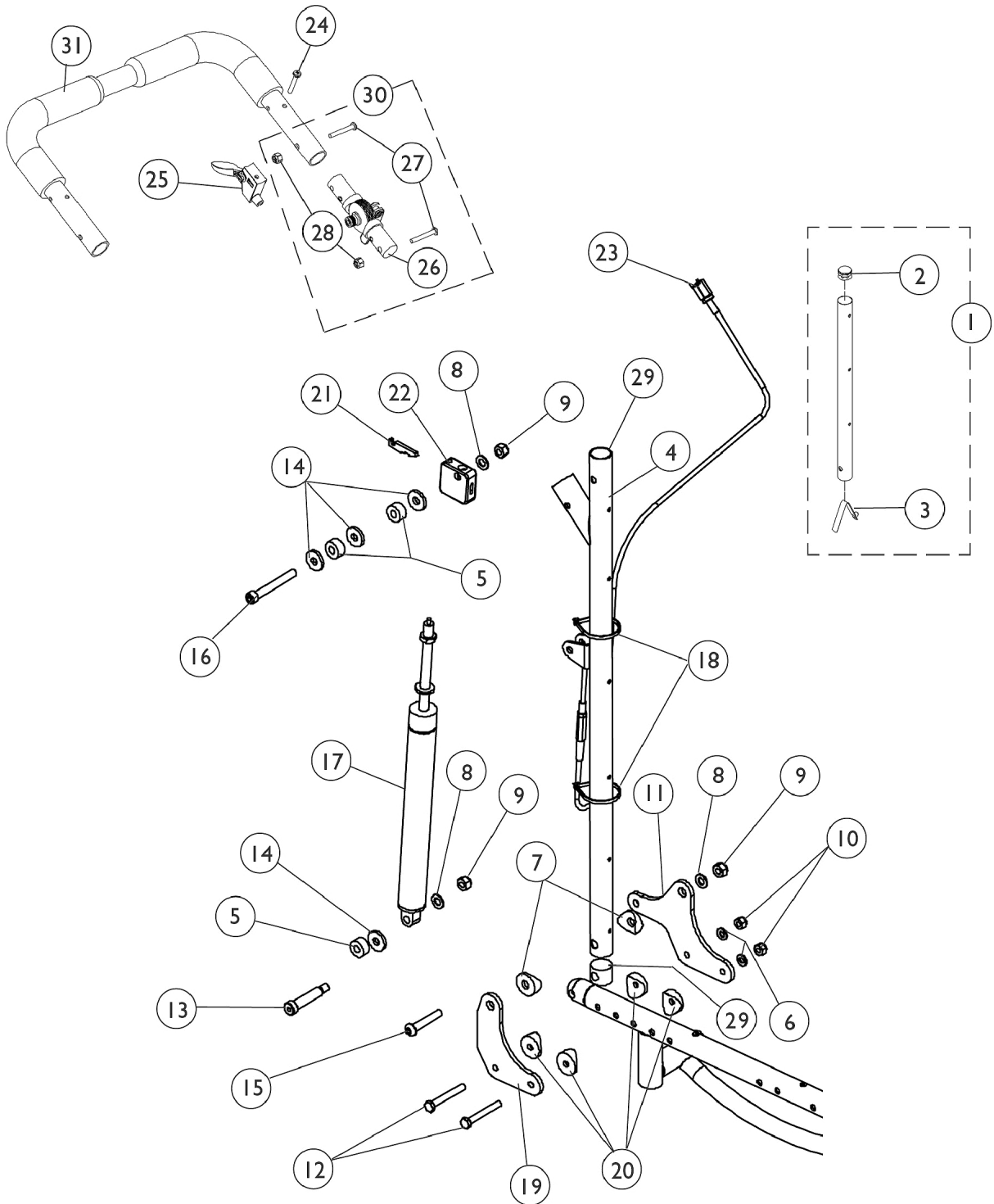
Seat Pan and Attaching Hardware

#7 Seat Pans (Steel)

Drop Mounted Seat

Chair Width	Short 15-17" Deep	Medium 18-20" Deep	Long 20-22" Deep
12"	1120018-NLA	1120018-NLA	N/A
13"	1120019-NLA	1120019-NLA	N/A
14"	1084971-NLA	1084982-NLA	1084993-NLA
15"	1084972-NLA	1084983-NLA	1084994-NLA
16"	1084973-NLA	1084984-NLA	1084995-NLA
17"	1084974-NLA	1084985-NLA	1084996-NLA
18"	1084975-NLA	1084986-NLA	1084997-NLA
19"	1084976-NLA	1084987-NLA	1084998-NLA
20"	1084977-NLA	1084988-NLA	1084999-NLA
21"	1084978-NLA	1084989-NLA	1085000-NLA
22"	1084979-NLA	1084990-NLA	1085001-NLA

Reclining Back Assembly



Reclining Back Assembly

Item Number	Note	Part Number	Description	Quantity Per	
				Package	Assembly
1		1070998	Headrest Extension Tube Assembly, Black - Right	1	1
1		1070999	Headrest Extension Tube Assembly, Black - Left	1	1
2		1027095	Plug Button, Black (7/8")	1	1
3		1024713	Spring, Torsion w/ Button	1	1
4		1083904-NLA	NLA - Cane, Back, Recliner, Black - Right	1	1
4		1083924-NLA	NLA - Cane, Back, Recliner, Black - Left	1	1
5		1069736-NLA	NLA - Bushing (3/8")	1	3
6		1026907	Washer (1/4 x 1/2 x 1/16")	1	2
7		1071729-NLA	NLA - Spacer, Coved (3/8 x 1 x 9/16")	1	4
8		1025704	Washer, Flat (5/16 x 5/8 x 1/16")	1	2
9		1026158	Locknut (5/16-18)	1	1
10		1065362	Locknut (1/4-28)	1	3
11		1093877-NLA	NLA - Bracket, Recliner, Black	1	1
12		1055349	Screw, Hex Head (1/4-28 x 2")	1	3
13		1071737-NLA	NLA - Screw, Shoulder Hex Socket Head (3/8" x 1-5/8", 5/16-18)	1	1
14		1016301	Washer, Nylon (5/16 x 7/8 x 1/8")	1	1
15		1094509	Screw, Allen Head (5/16-18 x 1-3/4")	1	1
16		1094508-NLA	NLA - Screw, Allen Head (5/16-18 x 2-1/2")	1	1
17		1050154	Cylinder, Lock, Recline	1	2
18		1021260	Tie Wrap (5-5/8" L)	1	4
19		1093876-NLA	NLA - Bracket, Recliner, Black	1	4
20		1026099	Spacer, Coved (1/4 x 11/16 x 1/2")	1	4
21		1071735	Lever, Cylinder Release	1	2
22		1071718	Bracket, Cylinder Release, Black	1	2
23		1082638	Cable Release Assembly	1	2
24		1026107	Screw, Phillips Pan Head (#10-32 x 1-3/8")	1	1
25		1078318	Handle, Cable Release, Black	1	2
26		1112539	Folding Hinge Assembly	1	2
27		1055309	Screw, Socket Button Head (1/4-28 x 1-1/4")	1	2
28		1025765	Locknut (1/4-28)	1	2
29		1081265	Plug	1	1
30	A	1114689-NLA	NLA - Hardware, Stroller Handle Hinge (1 Pair)	2	1
31		See Chart	#31 Adjustable Stroller Handle w/ Foam Grip	1	1
	B	1133698	Grip, Foam Hand (9" L)	1	2
	B	See Chart	Reclining Back Kits	1	1

NOTE: A - Includes items 26-28.
B - Not Shown

Reclining Back Assembly

#31 Adjustable Stroller Handle w/ Foam Grip

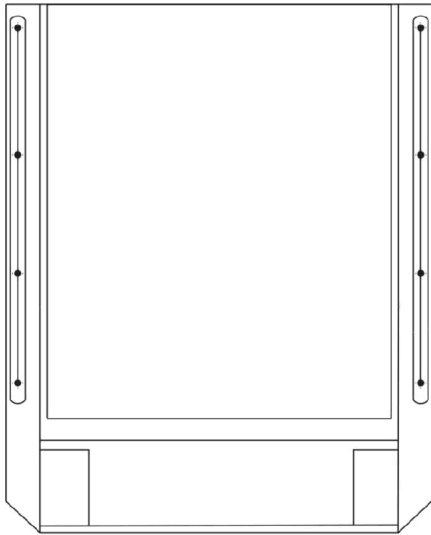
14" Width	15" Width	16" Width	17" Width	18" Width
1082622-NLA	1082623	1082624	1086406	1086407
19" Width	20" Width	21" Width	22" Width	
1086408	1086409-NLA	1086410	1086411	

Reclining Back Kits

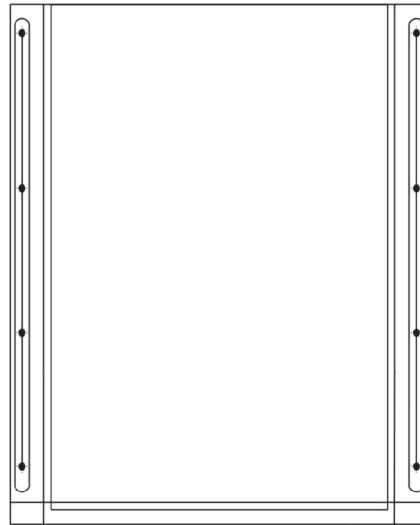
			Chair Width			
14"	15"	16"	17"	18"	19"	20"
1094561-NLA	1094562-NLA	1094563-NLA	1094564-NLA	1094565-NLA	1094566-NLA	1094567-NLA

Back Kits contain all parts necessary to convert an existing Non-Reclining Solo to a Recliner. Includes: Back Upholstery, Headrest, Pillow, Canes, Cable Release, Axle Mounting Plate and Attaching Hardware.

Back Upholstery



Back Upholstery
Recliner - Nylon



Back Upholstery
Non-Recliner - Nylon

Back Upholstery and Headrest Attaching Hardware

Item Number	Note	Part Number	Description	Quantity Per	
				Package	Assembly
	A	1041541	Package, Screw Phillips Csunk Oval Head w/ Washer (#10-16 x 7/8") (12 ea.)	12	1
		See Chart	Non-Recliner Back Upholstery	1	1
		See Chart	Recliner Back Upholstery	1	1

NOTE: A - Not Shown

Back Upholstery

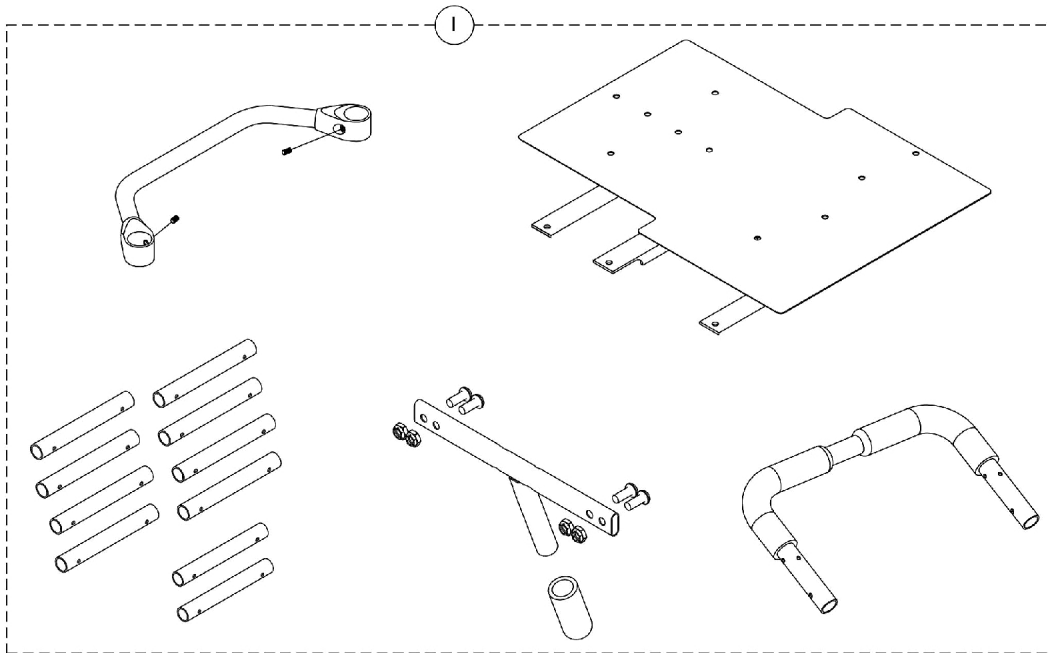
Recliner Back Upholstery

Chair Width	Back Upholstery	Headrest	Headrest Cushion
12"	N/A	N/A	N/A
13"	N/A	N/A	N/A
14"	1071716-NLA	1192478	1071011
15"	1071041	1192479	1071011
16"	1071043	1192480	1071058
17"	1071045	1192481	1071058
18"	1071047	1192482	1071058
19"	1071050-NLA	1192483	1071059
20"	1071052-NLA	1192484	1071059

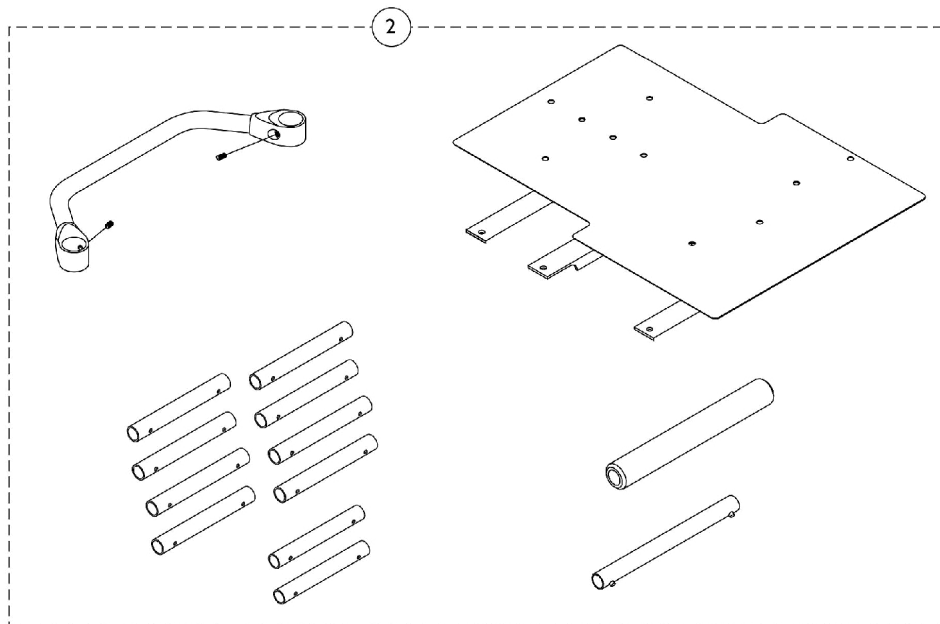
Non-Recliner Back Upholstery

Chair Width	20" Back Height	24" Back Height
12"	1120026-NLA	1120028-NLA
13"	1120027-NLA	1120029-NLA
14"	1104374-NLA	1104381-NLA
15"	1104375-NLA	1104382-NLA
16"	8881057251	8881057255-NLA
17"	1104376-NLA	1104383
18"	8881057256-NLA	8881057260-NLA
19"	1104377-NLA	1104385-NLA
20"	1104378-NLA	1104386-NLA
21"	1104379-NLA	1104387-NLA
22"	1104380-NLA	1104388-NLA

Growth Kits



Growth Kits for chairs with 12" Wheels



Growth Kits for chairs with 20", 22", or 24" Wheels

Growth Kits

#1 Growth Kits - Flush Mounted Seat Pans (15"-17" Deep only) (chairs with 12" Wheels)

Kits include Backrest Crossmember, Insert Tubes, Spacer Tubes, Seat Pan, Seat Pan Supports, Push Handle Assembly, and Foot Release Assembly for wheel lock.

Desired Chair Width	Chairs with Chrome Spacer Tubes	Chairs with Color Spacer Tubes
16" W	1140326-NLA See Note(s) B	8881140327 See Note(s) B, A
18" W	1140330-NLA See Note(s) B	8881140331 See Note(s) B, A
20" W	1140322-NLA See Note(s) B	8881140323 See Note(s) B, A

NOTE: A - Specify frame finish when ordering
B - Kits may be used for more than 1 seat width size depending upon Seat Pan type.

#1 Growth Kits - Drop Mounted Seat Pans (15"-17" Deep only) (chairs with 12" Wheels)

Kits include Backrest Crossmember, Insert Tubes, Spacer Tubes, Seat Pan, Push Handle Assembly, and Foot Release Assembly for wheel lock (Seat Pan Supports are provided but NOT required).

Desired Chair Width	Chairs with Chrome Spacer Tubes	Chairs with Color Spacer Tubes
18" W	1140326-NLA See Note(s) B	8881140327 See Note(s) A, B
20" W	1140330-NLA See Note(s) B	8881140331 See Note(s) A, B
22" W	1140322-NLA See Note(s) B	8881140323 See Note(s) A, B

NOTE: A - Specify frame finish when ordering
B - Kits may be used for more than 1 seat width size depending upon Seat Pan type.

#2 Growth Kits - Flush Mounted Seat Pans (15"-17" Deep only) (chairs with 20", 22", & 24" Wheels)

Kits include Backrest Crossmember, Insert Tubes, Spacer Tubes, Seat Pan, Seat Pan Supports, Spacer and Slide Tube for stroller handle, and Foam Grip.

Desired Chair Width	Chairs with Chrome Spacer Tubes	Chairs with Color Spacer Tubes
16" W	1140328-NLA See Note(s) B	8881140329 See Note(s) A, B
18" W	1140332-NLA See Note(s) B	8881140333 See Note(s) A, B
20" W	1140324-NLA See Note(s) B	8881140325 See Note(s) A, B

NOTE: A - Specify frame finish when ordering
B - Kits may be used for more than 1 seat width size depending upon Seat Pan type.

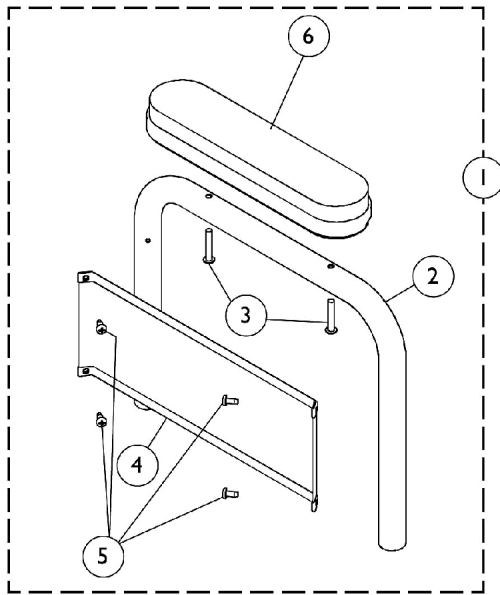
Growth Kits

#2 Growth Kits - Drop Mounted Seat Pans (15"-17" Deep only) (chairs with 20", 22", & 24" Wheels)

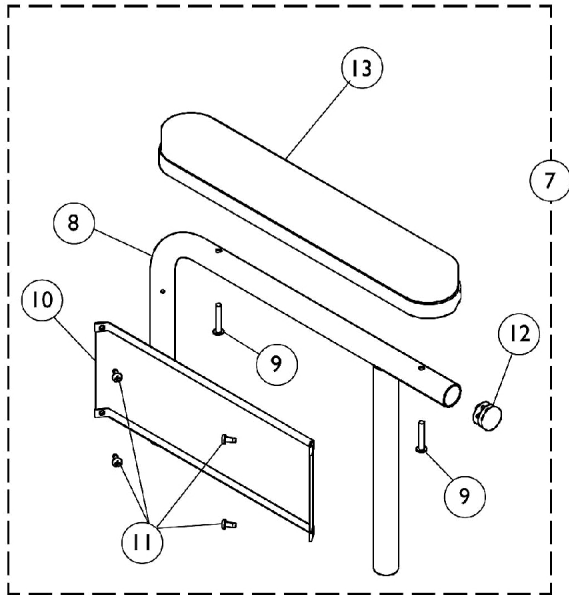
Kits include Backrest Crossmember, Insert Tubes, Spacer Tubes, Seat Pan, Spacer and Slide Tube for stroller handle, and Foam Grip (Seat Pan Supports are provided but NOT required).

Desired Chair Width	Chairs with Chrome Spacer Tubes	Chairs with Color Spacer Tubes
18" W	1140328-NLA See Note(s) B	8881140329 See Note(s) B, A
20" W	1140332-NLA See Note(s) B	8881140333 See Note(s) B, A
22" W	1140324-NLA See Note(s) B	8881140325 See Note(s) B, A
NOTE: A - Specify frame finish when ordering B - Kits may be used for more than 1 seat width size depending upon Seat Pan type.		

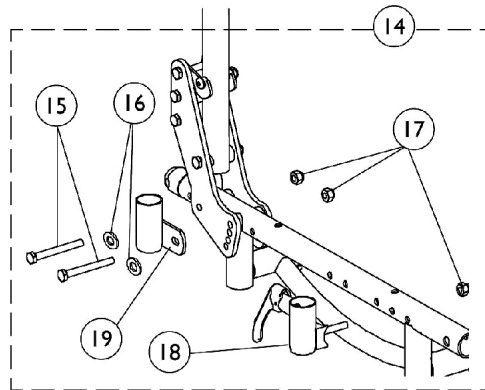
Fixed Height Arms



Desk Length Arm with Arm Pad



Full Length Arm with Arm Pad



Arm Attaching Hardware

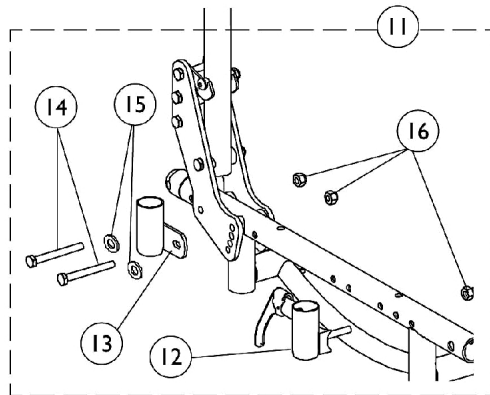
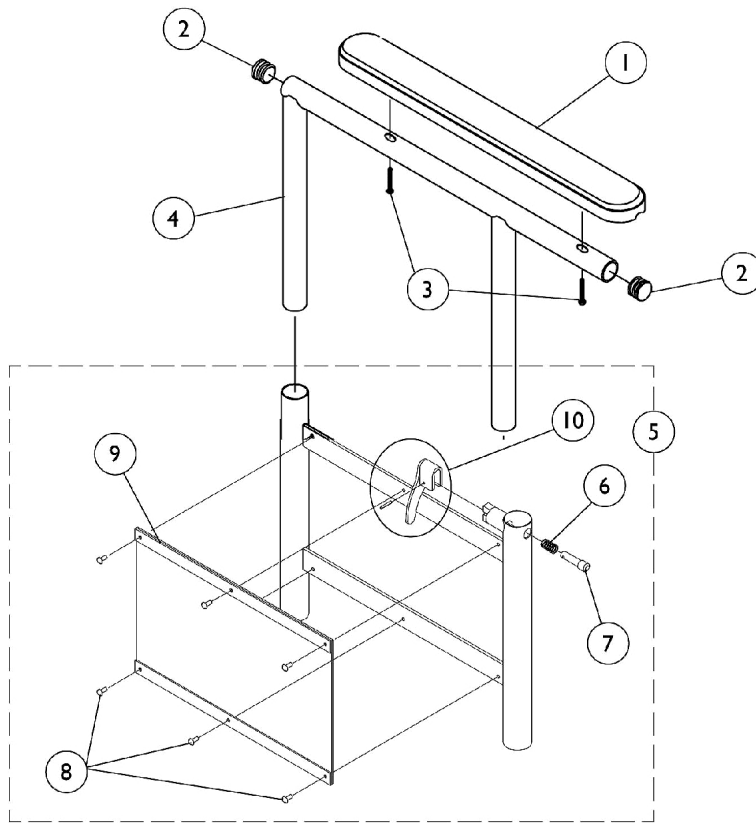
Fixed Height Arms

Item Number	Note	Part Number	Description	Quantity Per	
				Package	Assembly
1	A,B	8881102858-NL A	NLA - Fixed Height Desk Length Arm Assembly - Right	1	1
2			NLA - Tube, Arm, Desk Length, Black - Right/Left	1	1
3			Package, Screw Phillips Pan Head (#10-32 x 1-1/8")	2	1
4			NLA - Guard, Clothing, Desk Length	1	1
5			Screw, Phillips Pan Head Tap (#8-32 x 3/8")	1	4
6			Pad, Arm, Desk Length	1	1
6	A	8881053578	Kit, Arm Pad w/ Screws, Desk Length (9" L x 2" W) (Pair)	2	1
1	A,B	8881102859-NL A	NLA - Fixed Height Desk Length Arm Assembly - Left	1	1
2			NLA - Tube, Arm, Desk Length, Black - Right/Left	1	1
3			Package, Screw Phillips Pan Head (#10-32 x 1-1/8")	2	1
4			NLA - Guard, Clothing, Desk Length	1	1
5			Screw, Phillips Pan Head Tap (#8-32 x 3/8")	1	4
6			NLA - Arm Pad, Desk Length w/ Law Label	1	1
6	A	8881053578	Kit, Arm Pad w/ Screws, Desk Length (9" L x 2" W) (Pair)	2	1
7	A,C	8881102864-NL A	NLA - Fixed Height Full Length Arm Assembly - Right	1	1
8			NLA - Arm Base, Full Length, Black - Right	1	1
9			Screw, Phillips Pan Head (#10-32 x 1-1/8")	1	2
10			NLA - Guard, Clothing, Desk Length	1	1
11			Screw, Phillips Pan Head Tap (#8-32 x 3/8")	1	4
12			Plug Button, Black (7/8")	1	1
13			NLA - Pad, Arm, Full Length w/ Law Label	1	1
13	A	8881053577	Kit, Arm Pad w/ Screws, Full Length (14" L x 2" W) (Pair)	2	1
7	A,C	8881102865-NL A	NLA - Fixed Height Full Length Arm Assembly - Left	1	1
8			NLA - Arm Base, Full Length, Black - Left	1	1
9			Screw, Phillips Pan Head (#10-32 x 1-1/8")	1	2
10			NLA - Guard, Clothing, Desk Length	1	1
11			Screw, Phillips Pan Head Tap (#8-32 x 3/8")	1	4
12			Plug Button, Black (7/8")	1	1
13			NLA - Pad, Arm, Full Length w/ Law Label	1	1
13	A	8881053577	Kit, Arm Pad w/ Screws, Full Length (14" L x 2" W) (Pair)	2	1
14	D	1083083	Kit, Arm Attaching Hardware (Pair)	1	1
15			Screw, Hex Head (1/4-28 x 2-1/4")	1	4
16			Washer (1/4 x 1/2 x 1/16")	1	4
17			Nut, Hex (1/4-28)	1	6
18			Socket, Arm, Front - Right	1	1
18			Socket, Arm, Front - Left	1	1
19			Socket, Arm, Rear - Right/Left	1	2
15		1055350	Screw, Hex Head (1/4-28 x 2-1/4")	1	4

Fixed Height Arms

Item Number	Note	Part Number	Description	Quantity Per	
				Package	Assembly
16		1026907	Washer (1/4 x 1/2 x 1/16")	1	4
17		1085111	Nut, Hex (1/4-28)	1	6
18		1083081	Socket, Arm, Front - Right	1	1
18		1083082	Socket, Arm, Front - Left	1	1
19		1048835	Socket, Arm, Rear - Right/Left	1	2
NOTE: A - Specify upholstery color U67 Black when ordering B - Includes items 2-6 C - Includes items 8-13 D - Includes items 15-19. Contains enough hardware for both arms					

Adjustable Height Arms



Arm Attaching Hardware

Adjustable Height Arms

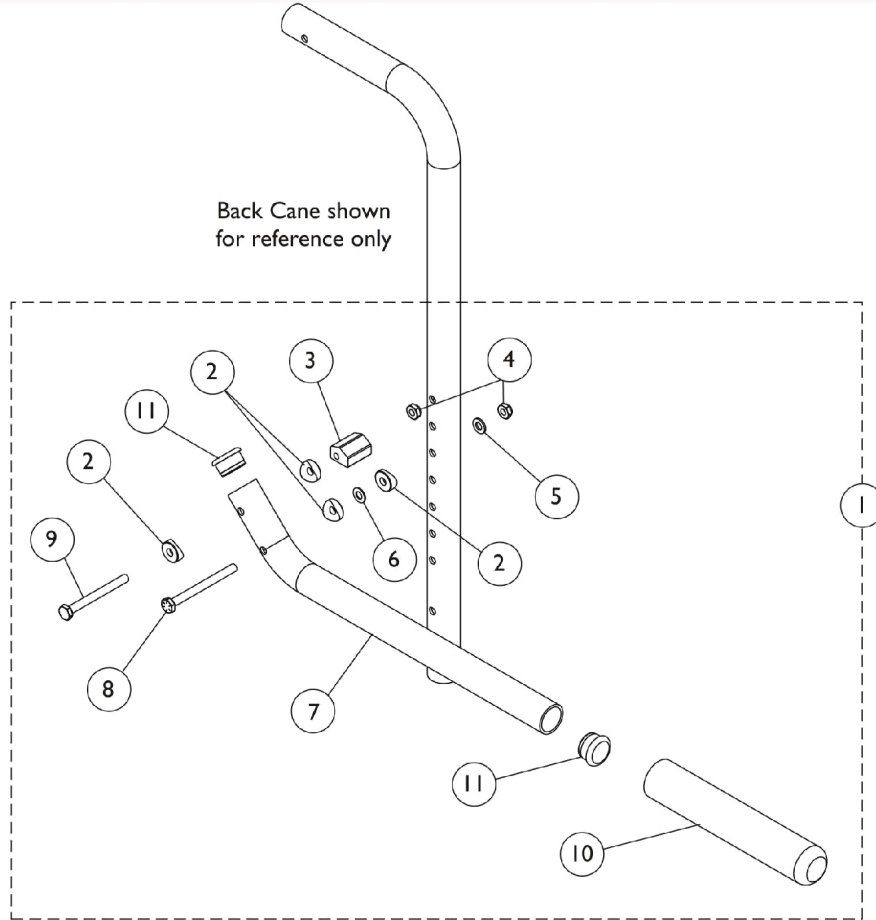
Item Number	Note	Part Number	Description	Quantity Per	
				Package	Assembly
1	A	8881053578	Kit, Arm Pad w/ Screws, Desk Length (9" L x 2" W) (Pair)	2	1
1	A	8881053577	Kit, Arm Pad w/ Screws, Full Length (14" L x 2" W) (Pair)	2	1
2		1027095	Plug Button, Black (7/8")	1	2
3		1111714	Package, Screw Phillips Pan Head (#10-32 x 1-1/8")	2	1
4		1070859	Arm Tube Assembly w/ Plug Buttons, Desk Length, Black - Right/Left	1	1
4		1041522	Arm Tube Assembly w/ Plug Buttons, Full Length, Black - Right/Left	1	1
5	B	1035892	Adjustable Height Arm Base Assembly - Right	1	1
			Base, Armrest, Adjustable Height	1	1
6			Spring, Arm Lock	1	1
7			Pin, Arm Lock, Black	1	1
8			Rivet	1	6
9			NLA - Guard, Clothing	1	1
10			Kit, Lock Handle w/Rivets (Pair)	1	1
5	B	1035893	Adjustable Height Arm Base Assembly - Left	1	1
			Base, Armrest, Adjustable Height	1	1
6			Spring, Arm Lock	1	1
7			Pin, Arm Lock, Black	1	1
8			Rivet	1	6
9			NLA - Guard, Clothing	1	1
10			Kit, Lock Handle w/Rivets (Pair)	1	1
11	C	1083083	Kit, Arm Attaching Hardware (Pair)	1	1
12			Socket, Arm, Front - Right	1	1
12			Socket, Arm, Front - Left	1	1
13			Socket, Arm, Rear - Right/Left	1	2
14			Screw, Hex Head (1/4-28 x 2-1/4")	1	4
15			Washer (1/4 x 1/2 x 1/16")	1	4
16			Nut, Hex (1/4-28)	1	6
12		1083081	Socket, Arm, Front - Right	1	1
12		1083082	Socket, Arm, Front - Left	1	1
13		1048835	Socket, Arm, Rear - Right/Left	1	2
14		1055350	Screw, Hex Head (1/4-28 x 2-1/4")	1	4
15		1026907	Washer (1/4 x 1/2 x 1/16")	1	4
16		1085111	Nut, Hex (1/4-28)	1	6

NOTE: A - Specify upholstery color U67 Black when ordering
 B - Includes items 6-10
 C - Includes items 12-16

Cantilever Arms - AT99N

Non-Locking Bolt On

Available on Spree GT chairs only



Cantilever Arms - AT99N

Non-Locking Bolt On

Available on Spree GT chairs only

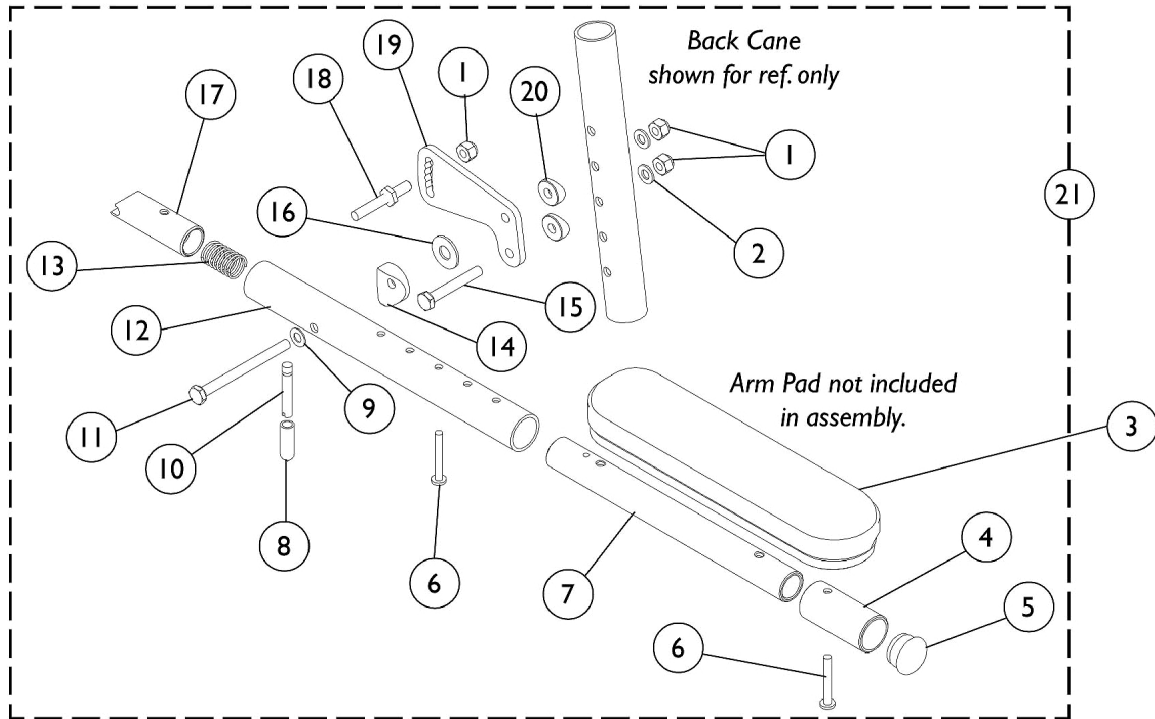
Item Number	Note	Part Number	Description	Quantity Per	
				Package	Assembly
1	A	1118594	Cantilever Arm Assembly - Right	1	1
2			Spacer, Coved (1/4 x 11/16 x 1/2")	1	4
3			NLA - Cam, Cantilever Arm	1	1
4			Locknut (1/4-28)	1	2
5			Washer (1/4 x 1/2 x 1/16")	1	1
6			Washer, Nylon (1/4 x 1/2 x 1/32")	1	1
7			NLA - Tube, Cantilever Arm, Black	1	1
8			NLA - Screw, Hex Head (1/4-28 x 2-3/4")	1	1
9			NLA - Screw, Hex Head (1/4-28 x 2-1/2")	1	1
10			Grip, Foam Hand (6-7/8" L)	1	1
11			Plug Button, Black (1")	1	2
1	A	1118595	Cantilever Arm Assembly - Left	1	1
2			Spacer, Coved (1/4 x 11/16 x 1/2")	1	4
3			NLA - Cam, Cantilever Arm	1	1
4			Locknut (1/4-28)	1	2
5			Washer (1/4 x 1/2 x 1/16")	1	1
6			Washer, Nylon (1/4 x 1/2 x 1/32")	1	1
7			NLA - Tube, Cantilever Arm, Black	1	1
8			NLA - Screw, Hex Head (1/4-28 x 2-3/4")	1	1
9			NLA - Screw, Hex Head (1/4-28 x 2-1/2")	1	1
10			Grip, Foam Hand (6-7/8" L)	1	1
11			Plug Button, Black (1")	1	2

NOTE: A - Includes items 2-11

Cantilever Arms - AT55D & AT55F

Locking, Bolt On

Solara Limited Chairs Only



Bolt On Cantilever Arm without Arm Pads

Cantilever Arms - AT55D & AT55F

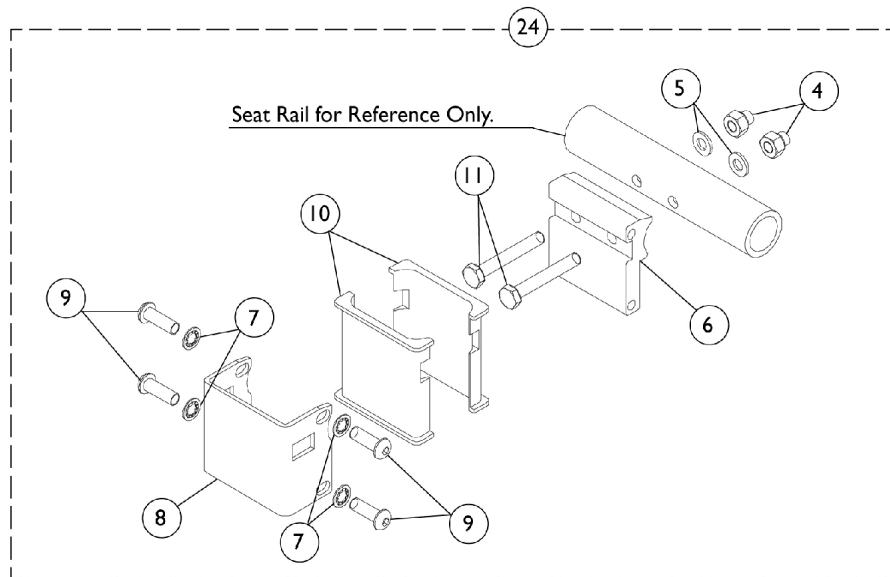
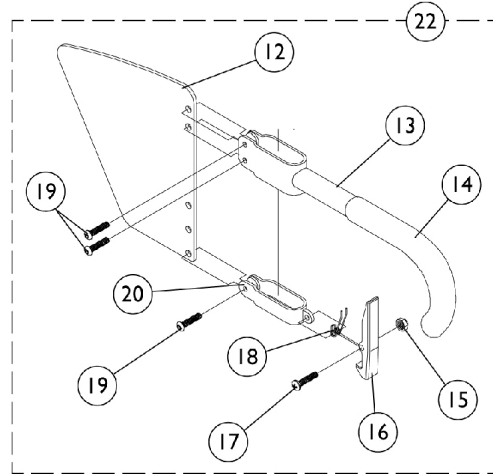
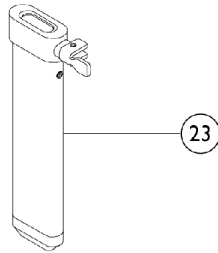
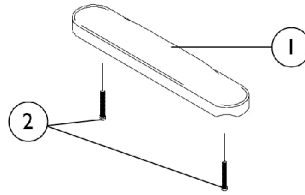
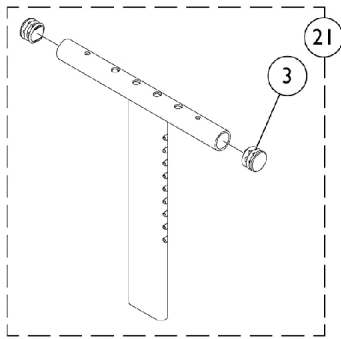
Locking, Bolt On

Solara Limited Chairs Only

Item Number	Note	Part Number	Description	Quantity Per	
				Package	Assembly
1		1065362	Locknut (1/4-28)	1	3
2		1026907	Washer (1/4 x 1/2 x 1/16")	1	2
3	A	8881053578	Kit, Arm Pad w/ Screws, Desk Length (9" L x 2" W) (Pair)	2	1
3	A	8881053577	Kit, Arm Pad w/ Screws, Full Length (14" L x 2" W) (Pair)	2	1
4		1042598	Tube, Arm, Extension, Black	1	1
5		1056328	Plug Button, Black (1")	1	1
6		1026107	Screw, Phillips Pan Head (#10-32 x 1-3/8")	1	2
7		1068600	Tube, Slide, Cantilever Arm, Black	1	1
8		1059271	Tip, Plastic, Black	1	1
9		1026103	Washer, Nylon (1/4 x 1/2 x 1/32")	1	1
10		1058545	Lever, Actuator	1	1
11		1059374	Screw, Hex Head (1/4-28 x 3")	1	1
12		1068588	Tube, Arm, Black	1	1
13		1011511	Spring, Compression (5/8 x 1 x 3/64")	1	1
14		40157X020	Spacer, Coved (1/4 x 1 x 9/16")	1	1
15		1055348	Screw, Hex Head (1/4-28 x 1-3/4")	1	1
16		1012371	Washer, Nylon (3/8 x 7/8 x 1/16")	1	1
17		1058232	Plug, Latch	1	1
18		1058231-NLA	NLA - Pin, Locking	1	1
19		1058542	Bracket, Armrest Mounting, Black	1	1
20		1026099	Spacer, Coved (1/4 x 11/16 x 1/2")	1	2
21	B,C	1068654	Kit, Cantilever Arm, Bolt On - Right	1	1
21	B,C	1068655	Kit, Cantilever Arm, Bolt On - Left	1	1

NOTE: A - Specify upholstery color U67 Black when ordering.
B - Arms do not include Arm Pads, they must be ordered separately.
C - Includes items 1,2,4-20

"T" Arm and Hardware



"T" Arm and Hardware

Item Number	Note	Part Number	Description	Quantity Per	
				Package	Assembly
1	A	8881053570	Kit, Arm Pad w/ Screws, Desk Length (Pair)	2	1
1	A	8881053571	Kit, Arm Pad w/ Screws, Full Length (Pair)	2	1
2		1055205	Package, Screw Phillips Pan Head (#10-32 x 1-3/8")	2	1
3		1027095	Plug Button, Black (7/8")	1	2
4	B	1085111	Nut, Hex (1/4-28)	1	3
5	B	1026907	Washer (1/4 x 1/2 x 1/16")	1	2
6		1069629-NLA	NLA - Bracket, T-Arm Socket, Threaded, Black	1	1
7		1026108	Lockwasher (1/4 x 15/32 x 1/64")	1	4
8		1069620-NLA	NLA - Bracket, Socket, Black	1	1
9		1055305-NLA	NLA - Screw, Socket Button Head (1/4-28 x 3/4")	1	4
10		1069609	Insert, Arm Socket, Black	1	2
11	B	1055348	Screw, Hex Head (1/4-28 x 1-3/4")	1	2
12		1069652-NLA	NLA - Guard, Clothing, Low Range	1	1
12		1069651-NLA	NLA - Guard, Clothing, High Range	1	1
13		1069634	Tube, Support, Low Range, Black - Right	1	1
13		1073247-NLA	NLA - Tube, Support, Low Range, Black - Left	1	1
13		1069650-NLA	NLA - Tube, Support, High Range, Black - Right	1	1
13		1073246	Tube, Support, High Range, Black - Left	1	1
14		1028427	Grip, Foam	1	1
15		1025731	Locknut (#10-32)	1	1
16		1076839-NLA	NLA - Lever, Locking	1	1
17		1025716	Screw, Phillips Pan Head (#10-32 x 11/16")	1	1
18		1073196-NLA	NLA - Spring, Torsion	1	1
19		1006773-NLA	NLA - Screw, Socket Button Head (1/4-20 x 1/2")	1	1
20		1075069-NLA	NLA - Clamp, Clothing Guard - Right	1	1
20		1075070-NLA	NLA - Clamp, Clothing Guard - Left	1	1
21		1069639	T-Arm Assembly w/ Plug Buttons, Desk Length, Low Range, Black	1	1
21		1069643	T-Arm Assembly w/ Plug Buttons, Full Length, Low Range, Black	1	1
21		1069641	T-Arm Assembly w/ Plug Buttons, Desk Length, High Range, Black	1	1
21		1069645	T-Arm Assembly w/ Plug Buttons, Full Length, High Range, Black	1	1
22		1073424	Kit, Clothing Guard, Low Range - Right	1	1
22		1073425	Kit, Clothing Guard, Low Range - Left	1	1
22		1073422	Kit, Clothing Guard, High Range - Right	1	1
22		1073423	Kit, Clothing Guard, High Range - Left	1	1
23		1069635	Post, Arm, Low Range	1	1
23		1069637	Post, Arm, High Range	1	1
24	C	1069632	Arm Socket Assembly, Bolt On	1	1
24	D	1069627-NLA	NLA - Arm Socket Assembly, Clamp On	1	1
		See Chart	"T" Arm Kits	1	1

"T" Arm and Hardware

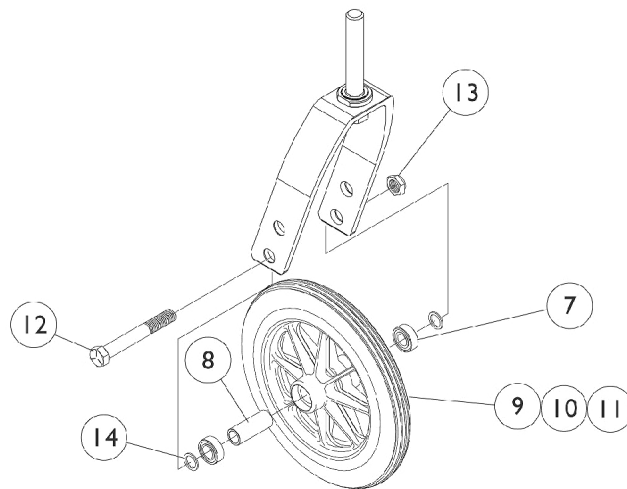
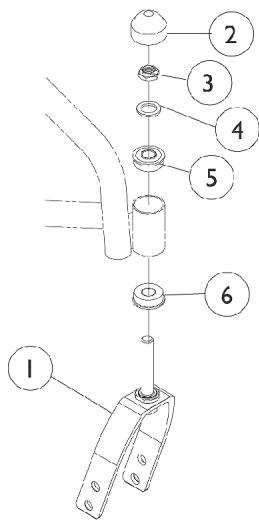
NOTE: A - Specify U67 upholstery color when ordering.
B - Items 4, 5, and 11 must be ordered together for chairs manufactured before 8/13/99 due to a change in hardware.
C - After 7/14/97
D - Before 7/15/97

"T" Arm Kits

Kits Include Items 1,2,21-23

8881074078	Desk Length, Pediatric (1 Pair)
8881074079	Desk Length, Adult (1 Pair)
8881074080	Full Length, Pediatric (1 Pair)
8881074081-NLA	Full Length, Adult (1 Pair)
Specify U67 upholstery color when ordering.	

Casters - Front , Forks and Mounting Hardware



Casters - Front , Forks and Mounting Hardware

Item Number	Note	Part Number	Description	Quantity Per	
				Package	Assembly
1	A	1037420	Fork and Stem Assembly, Black (6 x 1" Caster)	1	1
1	B	1050138	Fork and Stem Assembly	1	1
1	C	1065589	Fork and Stem Assembly, Adult/Hemi	1	1
2		1001843	Cap, Head Tube, Black	1	1
2		1131189	Package, Head Tube Cap	10	1
3		1001979	Locknut (1/2-20)	1	1
4		1021508	Washer, Nylon (5/8 x 1 x 3/32")	1	1
5	D	1001801	Bearing, Flange (1/2")	1	2
5	E	1002626-NLA	NLA - Bearing	1	2
6	D	1085298	Bearing (1-1/4" O.D. x 1/2" I.D.)	1	2
6	E	1074930	Sleeve w/ Bearing, Black, Adult/Hemi	1	2
7-11		See Chart	#7-11 Caster Wheels	1	1
12-14		See Chart	#12-14 Caster Hardware	1	1
NOTE: A - 6 x 1" Caster B - 6 x 2" and All 8" Casters with Standard Duty Chairs. C - 6 x 2" and 8 x 1-3/4" Casters with Heavy Duty Chairs. D - Standard Duty Chairs E - Heavy Duty Chairs (250 - 350 Lbs.)					

Casters - Front , Forks and Mounting Hardware

#7-11 Caster Wheels

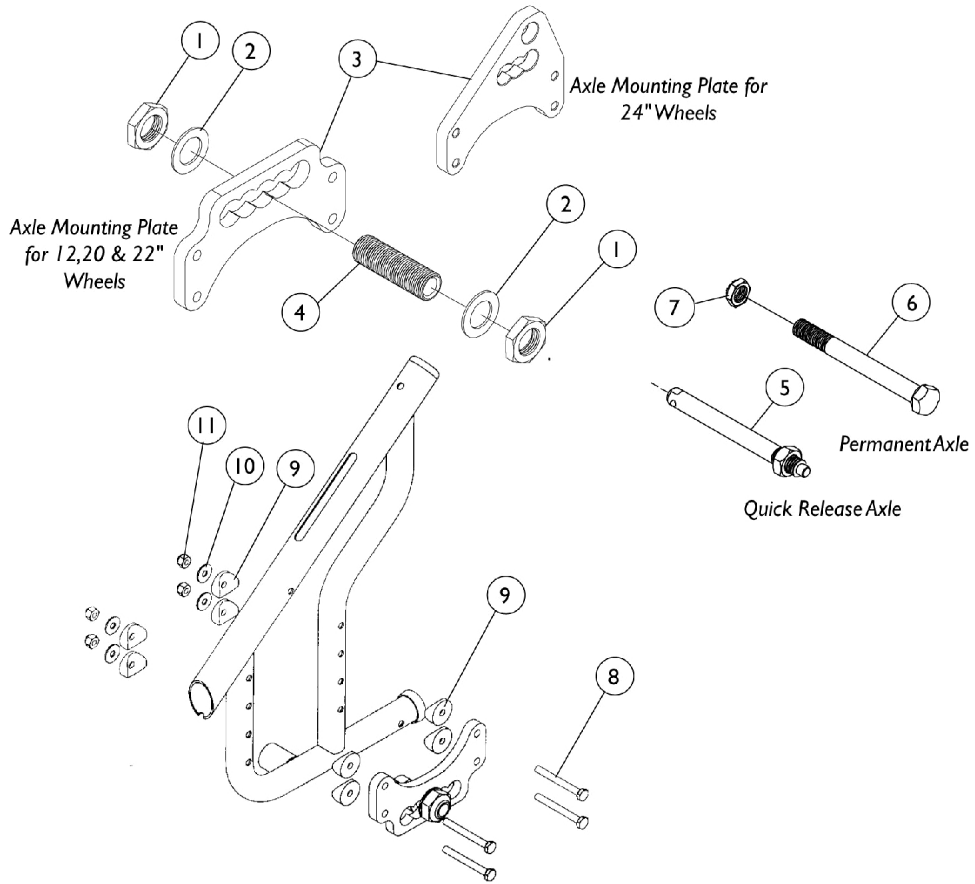
Wheel Style	Wheel Size	Tire Type	#7 Bearing	#8 Bearing Spacer	#9 Wheel w/ Bearings	#10 Tire	#11 Tube/Insert
AT902	6 x 1"	Urethane	N/A	N/A	1034352 See Note(s) C	N/A	N/A
1259 (Before 8/15/03) See Note(s) A, B	6 x 2" Deep Profile	Semi Pneumatic Urethane	1006049	1020592	1122066 See Note(s) B, C	N/A	N/A
1259 (After 8/14/03) See Note(s) B, A	6 x 2" Deep Profile	Semi Pneumatic Urethane	1006049	1020592	1115179	N/A	N/A
1299	8 x 1"	Solid Rubber	1006049	1018982	1058137	1040144	N/A
1228	8 x 1-3/4"	Semi-Pneu.	1006049	1020592	1070811	N/A	N/A
1292	8 x 1-1/4"	Pneumatic	1006049	1020592	1009481	40176X040	40176X041
1492	8 x 1-1/4"	Pneu. w/ Flat Free	1006049	1020592	1030773	40176X040	1010904-NLA

NOTE: A - Caster Style 1259, 6 x 2" caster uses an 8" fork.
 B - Due to product improvement, previous caster is NLA. Order (pair) part number 1122066 so casters will match. The deep profile caster has 2 tread grooves w/ round corners instead of 4 tread grooves w/ square corners.
 C - Consists of (2) Casters.

#12-14 Caster Hardware

Wheel Style	Wheel Size	Tire Type	#12 Axle	#13 Locknut	#14 Axle Spacer
AT902	6 x 1"	Urethane	1025764	1025730	1026102
1259	6 x 2"	Semi-Pneumatic Urethane	1025726	1025734	1025724
1299	8 x 1"	Solid Rubber	1025726	1025734	1026101
1228	8 x 1-3/4"	Semi-Pneumatic	1025726	1025734	1025724
1292	8 x 1-1/4"	Pneumatic	1025726	1025734	1025724
1492	8 x 1-1/4"	Pneu. w/ Flat Free	1025726	1025734	1025724

Axle Mounting Plate and Hardware



Axle Mounting Plate and Hardware

Item Number	Note	Part Number	Description	Quantity Per	
				Package	Assembly
1		1044945	Nut, Hex (3/4-16)	1	1
2		1025701	Washer, Steel (3/4 x 1-1/4 x 1/16")	1	1
3	A	1059101-NLA	NLA - Plate, Axle Mounting -Offset	1	1
3	B	1106331-NLA	NLA - Plate, Axle Mounting	1	1
4		1026178	Bushing, Axle (2-1/2")	1	1
5		1040361	Axle, Quick Release w/ Locknut (1/2" x 5")	1	1
6		1049227	Screw, Hex Head (1/2-20 x 5-1/4")	1	1
7		1025737	Locknut (1/2-20)	1	1
8		1055350	Screw, Hex Head (1/4-28 x 2-1/4")	1	8
9		40157X020	Spacer, Coved (1/4 x 1 x 9/16")	1	16
10		1026900	Washer (1/4 x 23/32 x 1/16")	1	8
11		1065362	Locknut (1/4-28)	1	8

NOTE: A - 12", 20", and 22" Rear Wheels
 B - 24" Rear Wheels

Rear Wheels and Handrims

Rear Wheels (without Handrims)

Wheel Style	Wheel Size	Tire Type	Wheel w/o Handrim	Tire	Tube/ Insert	Bearing	Hub Spacer
12 COM	12 x 2-1/4"	Pneumatic	1049138-NLA	1011524	1011525	40117X022	N/A
12COM	12 x 2-1/4"	Pneumatic w/ Flat Free	1049139-NLA	1011524	1027176	40117X022	N/A
20COM	20 x 1-1/4"	Urethane	1038364	1037774	N/A	40117X022	1015756
20COM	20 x 1-3/8"	Pneumatic	1026422	1017519	1017520	40117X022	1015756
20COM	20 x 1-3/8"	Pneumatic w/ Flat Free	1026423	1017519	1023322	40117X022	1015756
22COM	22 x 1-1/4"	Urethane	1032116	1028250	N/A	40117X022	1015756
22COM	22 x 1-3/8"	Pneumatic	1026420	1018544	1018545	40117X022	1015756
22COM	22 x 1-3/8"	Pneumatic w/ Flat Free	1026421	1018544	1023323	40117X022	1015756
24COM7	24 x 1-1/4"	Urethane	1032118	1026904	N/A	40117X022	1015756
24COM7	24 x 1-3/8"	Pneumatic	1026362-NLA	40176X060	40176X061	40117X022	1015756
24COM7	24 x 1-3/8"	Pneumatic w/ Flat Free	1026363	40176X060	1010906	40117X022	1015756

Rear Wheels and Handrims

Handrims

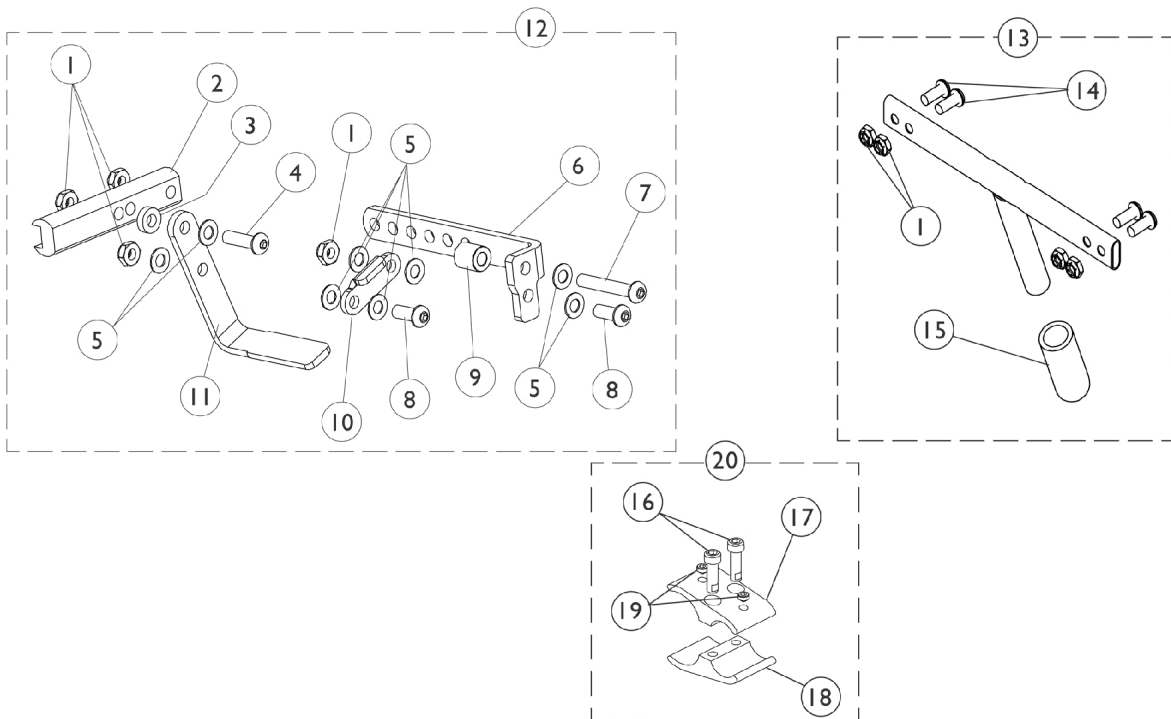
Hardware Kits contain enough hardware for a Single Handrim only.

Wheel Style	Handrim Type	Handrim	Attaching Points	Attaching Hardware Kit
20" Composite See Note(s) A	Grey Plastic Coated	1020019-NLA See Note(s) A	7	1025158
20" Composite	Black Plastic Coated	1115400	7	1025158
20" Composite	Aluminum	1033374	7	1025153
20" Composite	Chrome	1019999	7	1025153
22" Composite	Grey Plastic Coated	1020020-NLA See Note(s) A	7	1025158
22" Composite	Black Plastic Coated	1115401	7	1025158
22" Composite	Aluminum	1033373	7	1025153
22" Composite	Chrome	1020000	7	1025153
24" Composite	Grey Plastic Coated	1015784-NLA See Note(s) A	7	1026383
24" Composite	Black Plastic Coated	1115397	7	1026383
24" Composite	Aluminum	1033372	7	1025153
24" Composite	Chrome	1019836	7	1025153
24" Composite	Grey Plastic Coated 8 Vertical Projection	1015432-NLA See Note(s) A	7	1062770-NLA
24" Composite	Black Plastic Coated 8 Vertical Projection	1115394	7	1062770-NLA
24" Composite	Grey Plastic Coated 8 Oblique Projection	1015434-NLA See Note(s) A	7	1062769-NLA
24" Composite	Black Plastic Coated 8 Oblique Projection	1115396	7	1062769-NLA
24" Composite	Grey Plastic Coated 12 Vertical Projection	1015433-NLA See Note(s) A	7	1062764
24" Composite	Black Plastic Coated 12 Vertical Projection	1115395	7	1062764

NOTE: A - Grey Plastic Coated Handrims are no longer available and have been replaced with black. If only one grey handrim is requested order the black handrims in pairs.

Attendant Operated Wheel Locks

12" Wheels Only

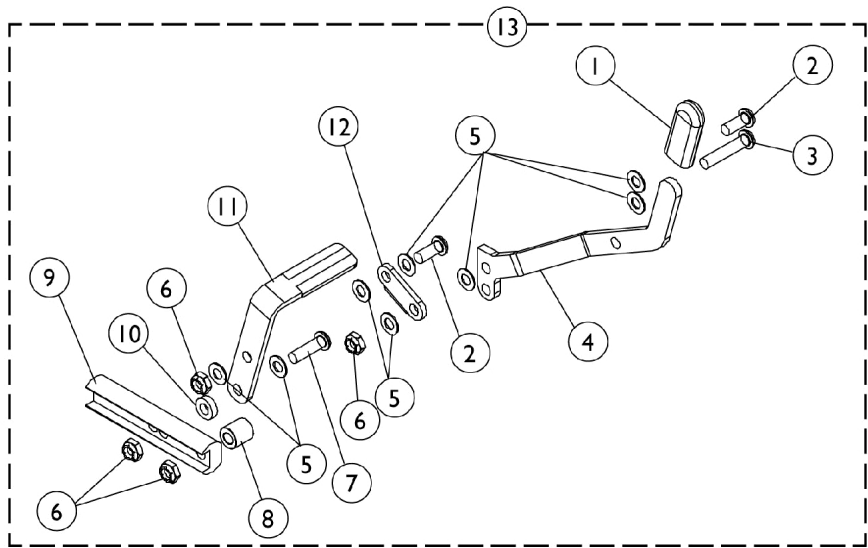
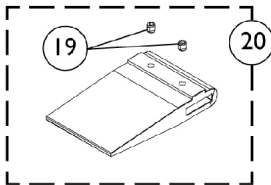
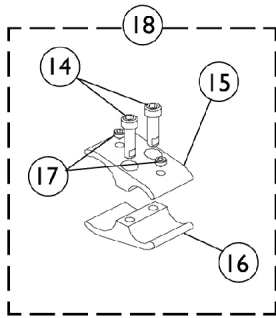


Attendant Operated Wheel Locks 12" Wheels Only

Item Number	Note	Part Number	Description	Quantity Per	
				Package	Assembly
1		1025765	Locknut (1/4-28)	1	4
2		1080551-NLA	NLA - Strap, Wheel Lock	1	1
3		1028411-NLA	NLA - Spacer (1/4 x 1/2 x 5/32")	1	1
4		1055306-NLA	NLA - Screw, Button Head Cap (1/4-28 x 7/8")	1	1
5		1026103	Washer, Nylon (1/4 x 1/2 x 1/32")	1	8
6		1080615-NLA	NLA - Link, Wheel Lock, Black - Right	1	1
6		1080616-NLA	NLA - Link, Wheel Lock, Black - Left	1	1
7		1083099	Screw, Socket Button Head (1/4-28 x 1-1/2")	1	1
8		1055304	Screw, Socket Button Head (1/4-28 x 5/8")	1	2
9		1020363-NLA	NLA - Spacer (1/4 x 1/2 x 1/2")	1	1
10		1018733-NLA	NLA - Link, Stop, Black	1	1
11		1021405-NLA	NLA - Shoe, Wheel Lock	1	1
12		1085267-NLA	NLA - Wheel Lock Assembly - Right	1	1
12		1085268-NLA	NLA - Wheel Lock Assembly - Left	1	1
13	F	1112935-NLA	NLA - Foot Release Assembly	1	1
13	A	1112937-NLA	NLA - Foot Release Assembly	1	1
13	B	1112941-NLA	NLA - Foot Release Assembly	1	1
13	C	1112945-NLA	NLA - Foot Release Assembly	1	1
14		1055304	Screw, Socket Button Head (1/4-28 x 5/8")	1	4
15	D	47376X024	Tip, Rubber Wheel Lock Handle, Black	1	1
15	E	1128817	Package, Tip, Rubber, Black (Pkg. of 10)	1	1
16		90036X000-NLA	NLA - Screw, Allen Head (1/4-28 x 1")	1	2
17		1079550-NLA	NLA - Clamp, Non-Threaded	1	1
18		1079551-NLA	NLA - Clamp, Threaded	1	1
19		1101207-NLA	NLA - Screw, Set Socket Cone Point (1/4-20 x 1/4")	1	2
20		1085266-NLA	NLA - Wheel Lock Clamp Hardware	1	2
NOTE: A - 14-17" Wide chairs B - 18-21" Wide chairs C - 22" Wide chairs D - Before 9/02 E - After 8/02 F - 12-13" Wide chairs					

Wheel Locks

20", 22", and 24" Rear Wheels



Wheel Locks

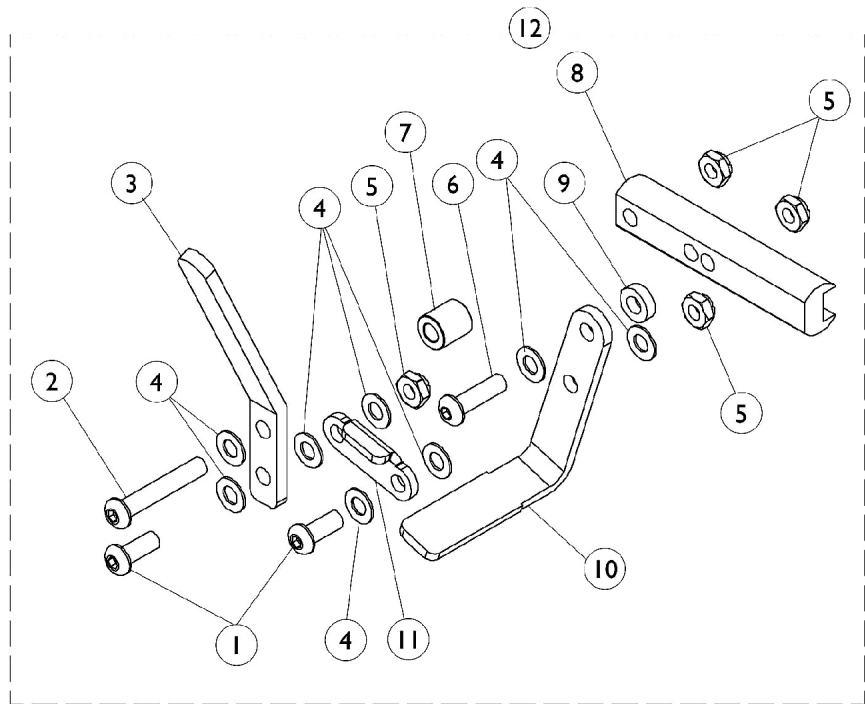
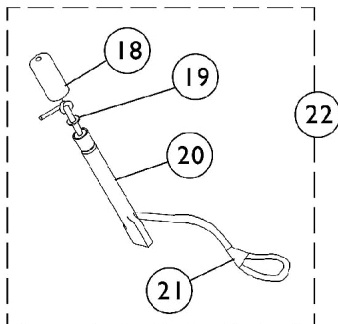
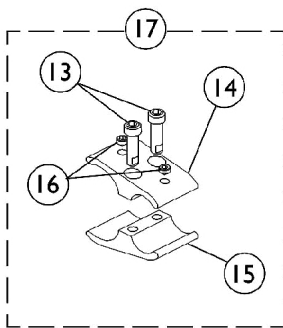
20", 22", and 24" Rear Wheels

Item Number	Note	Part Number	Description	Quantity Per	
				Package	Assembly
1		1006490	Tip, Plastic, Black	1	1
2		1055304	Screw, Socket Button Head (1/4-28 x 5/8")	1	2
3		1059284-NLA	NLA - Screw, Socket Button Head (1/4-28 x 1-1/4")	1	1
4		1059345-NLA	NLA - Handle, Wheel Lock, Black - Right	1	1
4		1059346-NLA	NLA - Handle, Wheel Lock, Black - Left	1	8
5		1026103	Washer, Nylon (1/4 x 1/2 x 1/32")	1	4
6		1025765	Locknut (1/4-28)	1	1
7		1055306-NLA	NLA - Screw, Button Head Cap (1/4-28 x 7/8")	1	1
8		1020363-NLA	NLA - Spacer (1/4 x 1/2 x 1/2")	1	1
9		1080551-NLA	NLA - Strap, Wheel Lock	1	1
10		1028411-NLA	NLA - Spacer (1/4 x 1/2 x 5/32")	1	1
11		1021405-NLA	NLA - Shoe, Wheel Lock	1	1
12		1018727-NLA	NLA - Link, Stop, Black	1	1
13		1083090	Wheel Lock Assembly - Right	1	1
13		1083091	Wheel Lock Assembly - Left	1	1
14		90036X000-NLA	NLA - Screw, Allen Head (1/4-28 x 1")	1	2
15		1079550-NLA	NLA - Clamp, Non-Threaded	1	1
16		1079551-NLA	NLA - Clamp, Threaded	1	1
17		1101207-NLA	NLA - Screw, Set Socket Cone Point (1/4-20 x 1/4")	1	2
18		1085266-NLA	NLA - Wheel Lock Clamp Hardware	1	2
19		1008438	Screw, Set Socket Cup Point (#8-32 x 3/16")	1	2
20	A	1037421	Kit, Wheel Lock Shoe Spacer, 20" Rear Wheels (Pair)	2	1
			Spacer, Wheel Lock Shoe (2-63/64")	1	2
			Screw, Set Socket Cup Point (#8-32 x 3/16")	1	4

NOTE: A - Used on 20", 22" and 24" Rear Wheels (3" Long)

Wheel Locks

Chairs with 12" Rear Wheels and Vent Tray



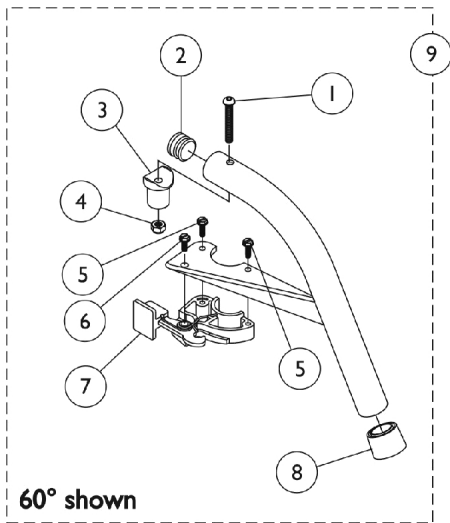
Wheel Locks

Chairs with 12" Rear Wheels and Vent Tray

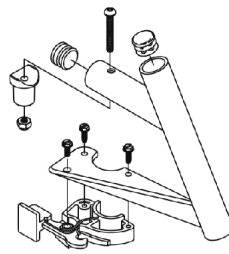
Item Number	Note	Part Number	Description	Quantity Per	
				Package	Assembly
1		1055304	Screw, Socket Button Head (1/4-28 x 5/8")	1	2
2		1083099	Screw, Socket Button Head (1/4-28 x 1-1/2")	1	1
3		1028414	Handle, Wheel Lock, Black - Right/ Left	1	1
4		1026103	Washer, Nylon (1/4 x 1/2 x 1/32")	1	8
5		1025765	Locknut (1/4-28)	1	4
6		1055306-NLA	NLA - Screw, Button Head Cap (1/4-28 x 7/8")	1	1
7		1020363-NLA	NLA - Spacer (1/4 x 1/2 x 1/2")	1	1
8		1080551-NLA	NLA - Strap, Wheel Lock	1	1
9		1028411-NLA	NLA - Spacer (1/4 x 1/2 x 5/32")	1	1
10		1021405-NLA	NLA - Shoe, Wheel Lock	1	1
11		1018733-NLA	NLA - Link, Stop, Black	1	1
12	A	1094542-NLA	NLA - Wheel Lock Assembly, Right	1	1
12	A	1094543-NLA	NLA - Wheel Lock Assembly, Left	1	1
13		90036X000-NLA	NLA - Screw, Allen Head (1/4-28 x 1")	1	2
14		1079550-NLA	NLA - Clamp, Non-Threaded	1	1
15		1079551-NLA	NLA - Clamp, Threaded	1	1
16		1101207-NLA	NLA - Screw, Set Socket Cone Point (1/4-20 x 1/4")	1	2
17	B	1085266-NLA	NLA - Wheel Lock Clamp Hardware	1	2
18		1128817	Package, Tip, Rubber, Black (Pkg. of 10)	1	1
19		1013218	Washer (#10 Flat)	1	1
20		1038597-NLA	NLA - Handle, Extension, Black (6")	1	1
21		1038662-NLA	NLA - Cord, Elastic	1	1
22	C	1063125	Wheel Lock Extension Handle Assembly	1	1
22	C	1038599	Wheel Lock Extension Handle Assembly, Black (6") (Pair)	2	1
	D	1039644-NLA	NLA - Instruction Sheet, Wheel Lock Extensions	1	1
NOTE: A - Includes items 1-11 B - Includes items 13-16 C - Includes items 18-21 D - Not Shown					

Footrest Support Assemblies

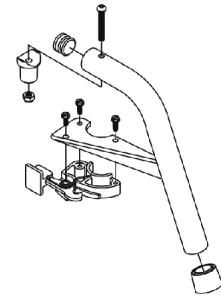
Swingaway 60 Degree, 70 Degree, and 90 Degree



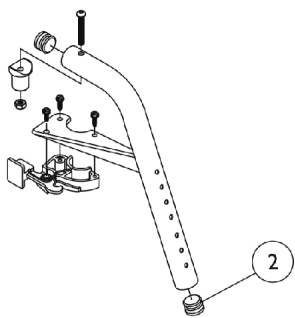
60° shown



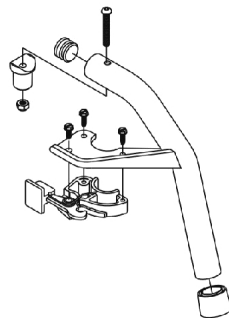
60° MFX



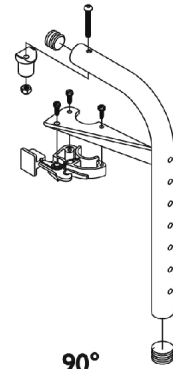
70° Non-Tapered



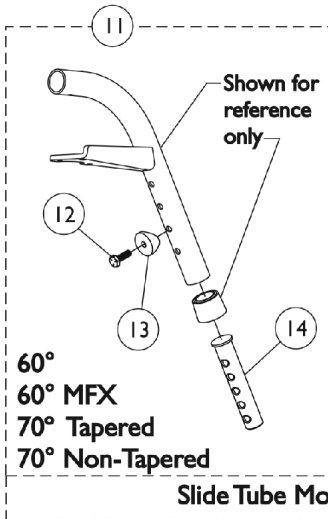
70° MFX



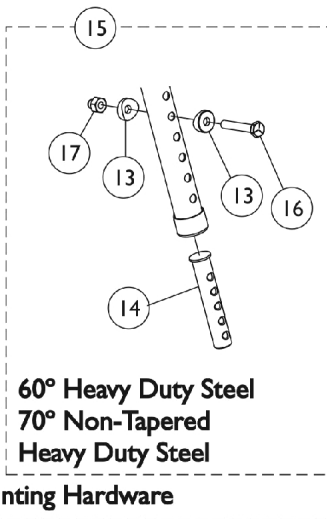
70° Tapered



90°

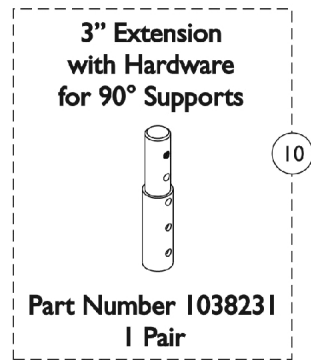


60°
60° MFX
70° Tapered
70° Non-Tapered



60° Heavy Duty Steel
70° Non-Tapered
Heavy Duty Steel

Slide Tube Mounting Hardware



3" Extension
with Hardware
for 90° Supports

Part Number 1038231
1 Pair

Footrest Support Assemblies

Swingaway 60 Degree, 70 Degree, and 90 Degree

Item Number	Note	Part Number	Description	Quantity Per	
				Package	Assembly
1		1001762	Screw, Socket Button Head (1/4-20 x 1-3/4")	1	1
2	I	1029501	Plug Button, Black (1")	1	1
2	I	1056328	Plug Button, Black (1")	1	1
3		1017148	Pivot, Footrest	1	1
4		1025736	Locknut (1/4-20)	1	1
5		1025451	Screw, Slotted Hex Washer Head (#10-32 x 5/8")	1	2
6		1017423	Screw, Slotted Hex Washer Head w/ Patch (#10-32 x 1/2")	1	1
7		1025454	Housing, Latch - Right	1	1
7		1025455	Housing, Latch - Left	1	1
8		1026124	Collar, Anti-Rattle	1	1
9	A,E	8881026992	Footrest Support Assembly, 60 Degree, Sector, Color - Right	1	1
9	A,E	8881026993	Footrest Support Assembly, 60 Degree, Sector, Color - Left	1	1
9	A,E	8881026998	Footrest Support Assembly, 60 Degree MFX, Sector, Color - Right	1	1
9	A,E	8881026999	Footrest Support Assembly, 60 Degree MFX, Sector, Color - Left	1	1
9	A,B,D	8881053158	Footrest Support Assembly, 60 Degree Heavy Duty, Sector, Color - Right	1	1
9	A,B,D	8881053157	Footrest Support Assembly, 60 Degree Heavy Duty, Sector, Color - Left	1	1
9	A,E	8881026994	Footrest Support Assembly, 70 Degree Non-Tapered, Sector, Color - Right	1	1
9	A,E	8881026995	Footrest Support Assembly, 70 Degree Non-Tapered, Sector, Color - Left	1	1
9	A,E	8881026996	Footrest Support Assembly, 70 Degree Tapered, Sector, Color - Right	1	1
9	A,E	8881026997	Footrest Support Assembly, 70 Degree, Tapered, Sector, Color - Left	1	1
9	A,E	8881047481	Footrest Support Assembly, 70 Degree MFX, Sector, Color - Right	1	1
9	A,E	8881047480	Footrest Support Assembly, 70 Degree MFX, Sector, Color - Left	1	1
9	A,B,D	8881053149	Footrest Support Assembly, 70 Degree Non-Tapered Heavy Duty, Sector, Color - Right	1	1
9	A,B,D	8881053148	Footrest Support Assembly, 70 Degree Non-Tapered Heavy Duty, Sector, Color - Left	1	1
9	A,E	8881062596	Footrest Support Assembly, 90 Degree, Sector, Color - Right	1	1
9	A,E	8881062597	Footrest Support Assembly, 90 Degree, Sector, Color - Left	1	1
10	A	8881038231	Kit, 3" Extension w/ Hardware (Pair)	1	1
11		1026703	Kit, Pivot/Slide Tube Mounting Hardware (Pair)	1	1
12		1045267	Screw, Hex Head w/ Patch (1/4-20 x 3/4")	1	1

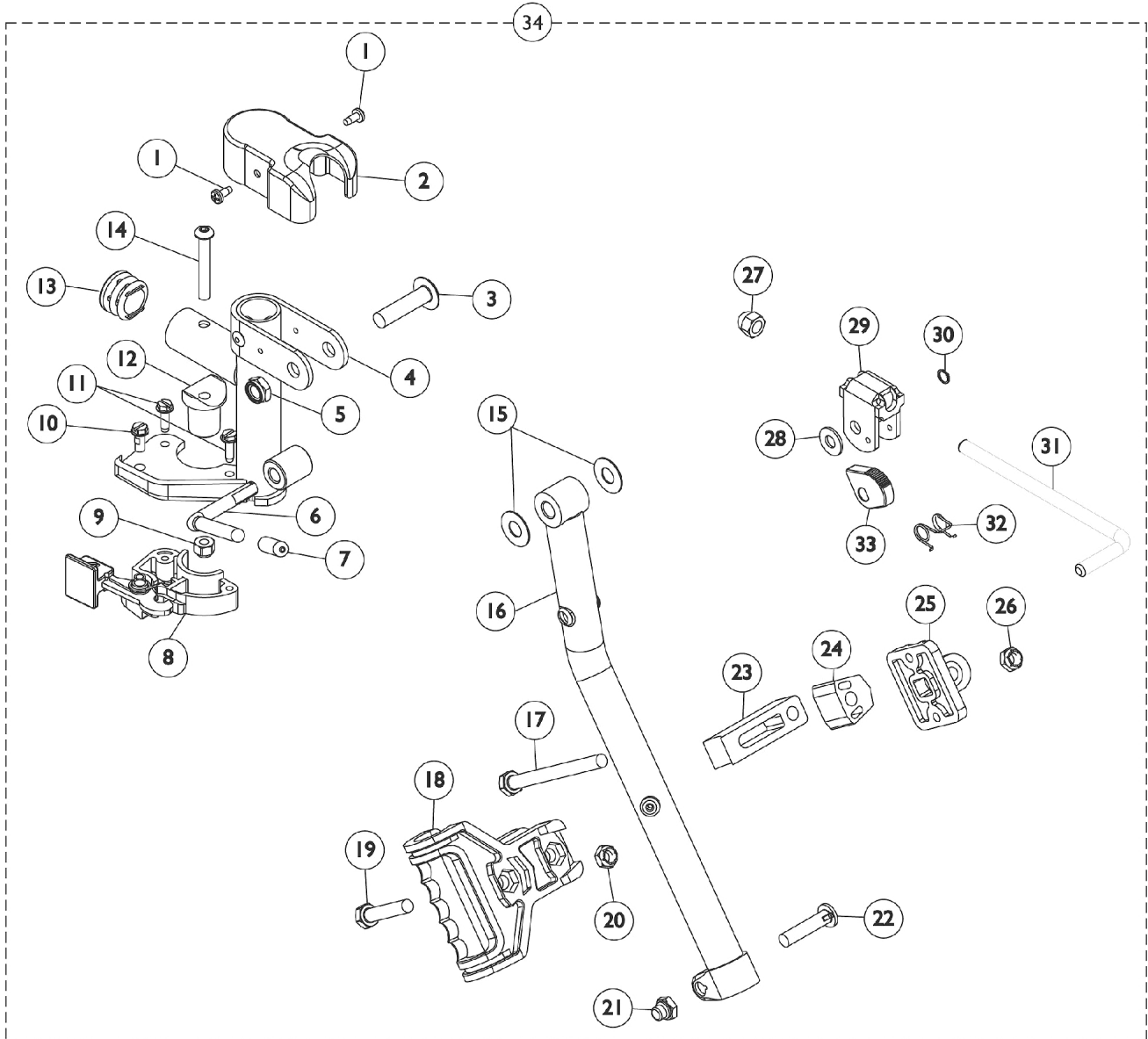
Footrest Support Assemblies

Swingaway 60 Degree, 70 Degree, and 90 Degree

Item Number	Note	Part Number	Description	Quantity Per	
				Package	Assembly
13	F	1026099	Spacer, Coved (1/4 x 11/16 x 1/2")	1	1
14	G	1020534	Insert, Threaded	1	1
15	C	1074143	Kit, Slide Tube Mounting Hardware	1	1
16		1070759	Screw, Hex Head (1/4-20 x 1-1/2")	1	1
17		1044214	Nut, Hex with Nylon Cap (1/4-20)	1	1
	B,H	1026987	Guard, Impact (8" L)	1	1

NOTE: A - Specify frame color when ordering.
 B - Not Shown
 C - Heavy Duty Only
 D - Uses Item Number 2, Plug Button 1029501
 E - Uses Item Number 2, Plug Button 1056328
 F - Item 15 Uses 2 per Assembly
 G - As of 8/15/03, the Threaded Insert was revised from 3 to 5 Holes. Threaded Insert is Backward Compatible and does not require ordering in Pairs.
 H - For 70 deg. Tapered Footrest.
 I - See item #9 footnote D or E for Front Rigging Plug Button usage.

Legrest Support Assemblies (AT5044)



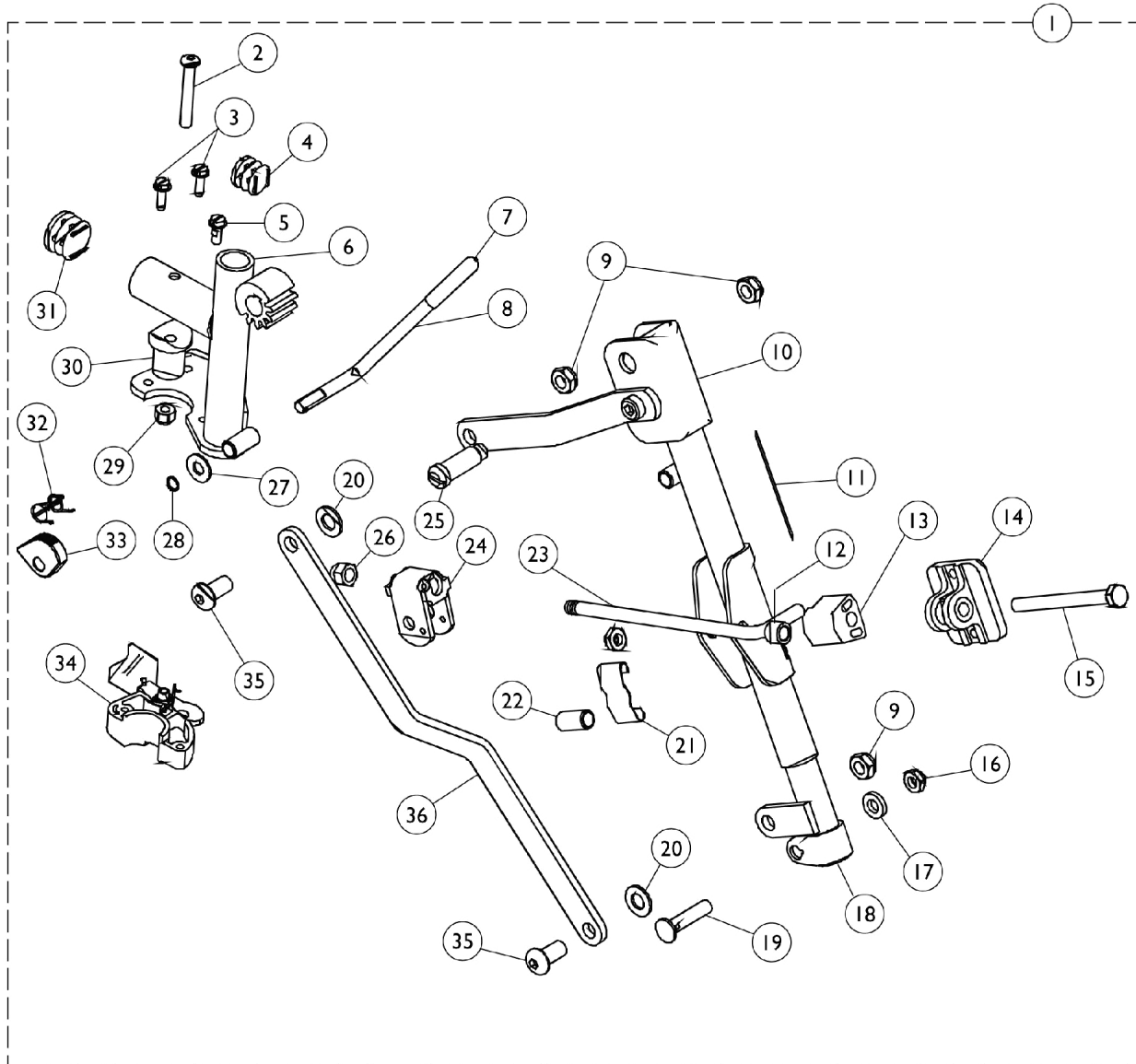
Legrest Support Assemblies (AT5044)

Item Number	Note	Part Number	Description	Quantity Per	
				Package	Assembly
1		1025729	Screw, Phillips Pan Head Tap (#8-32 x 3/8")	1	2
2		1017187	Cover, Top	1	1
3		11919X000-NLA	NLA - Screw, Slotted Truss Head (3/8-16 x 1-1/2")	1	1
4	A	8881045289	Bracket, Legrest Support, Color - Right	1	1
4	A	8881045290	Bracket, Legrest Support, Color - Left	1	1
5		40363X000	Hex Nut (3/8"-16)	1	1
6		1037126	Handle, Release	1	1
7		1040060	Tip, Plastic, Black	1	1
8		1025454	Housing, Latch - Right	1	1
8		1025455	Housing, Latch - Left	1	1
9		1025736	Locknut (1/4-20)	1	1
10		1017423	Screw, Slotted Hex Washer Head w/ Patch (#10-32 x 1/2")	1	1
11		1025451	Screw, Slotted Hex Washer Head (#10-32 x 5/8")	1	2
12		1017148	Pivot, Footrest	1	1
13		1029501	Plug Button, Black (1")	1	1
14		1001762	Screw, Socket Button Head (1/4-20 x 1-3/4")	1	1
15		1058636-NLA	NLA - Washer, Nylon (25/64 x 7/8 x 1/32")	1	2
16	A	8881048851	Tube, Elevating Adjustable Support, Color - Right	1	1
16	A	8881048852	Tube, Elevating Adjustable Support, Color - Left	1	1
17		1037110	Screw, Hex Head (5/16-24 x 3-1/2")	1	1
18		1032266	Bracket, Legrest Pad Mounting, Black	1	1
19		1028514	Screw, Hex Head (5/16-24 x 1-1/2")	1	1
20		1025730	Locknut (5/16-24)	1	1
21		1107321	Nut, Low Cap (5/16"-24)	1	1
22		1026030	Bolt, Lug (5/16-24 x 1-3/8")	1	1
23		1032267	Spacer, Legrest Pad Mounting, Black	1	1
24		1025133	Spacer, Legrest Pad, Black	1	1
25		04526X019	Plate, Legrest Pad	1	1
26		1025730	Locknut (5/16-24)	1	1
27		10261X000	Nut, Acorn (5/16-24)	1	1
28		1013519	Washer, Nylon (5/16 x 11/16 x 1/16")	1	1
29		04528X002	Bracket, Release, Black	1	1
30		1040831	Ring, Snap	1	1
31		42326X001	Bar, Ratchet	1	1
32		1037485	Spring, Release	1	1
33		1037125	Cam, Legrest	1	1
34	A,B	8881045291	Legrest Support Assembly, Sector, Color - Right	1	1
34	A,B	8881045292	Legrest Support Assembly, Sector, Color - Left	1	1

NOTE: A - Specify frame finish when ordering
B - Includes Items 1 thru 33.

Articulating Legrest Support Assembly - ATL4A (Center Pivot)

Legrest Support does not include Legrest Pad.



Articulating Legrest Support Assembly - ATL4A (Center Pivot)

Legrest Support does not include Legrest Pad.

Item Number	Note	Part Number	Description	Quantity Per	
				Package	Assembly
1		1082540	Articulating Legrest Support Assembly, Sector, Chrome - Right	1	1
1		1082541	Articulating Legrest Support Assembly, Sector, Chrome - Left	1	1
2		7930301-NLA	NLA - Package, Button Head Cap Screw (1/4-20 x 1-3/4")	25	1
3		1025451	Screw, Slotted Hex Washer Head (#10-32 x 5/8")	1	2
4		1027097	Plug Button, Black (3/4")	1	1
5		7930314	Package, Screw, Slotted Hex Washer Head (#10-32 x 1/2")	25	1
6		1082538-NLA	NLA - Tube, Legrest Support, Articulating, Sector, Chrome - Right	1	1
6		1082539-NLA	NLA - Tube, Legrest Support, Articulating, Sector, Chrome - Left	1	1
7		1040060	Tip, Plastic, Black	1	1
8		1037126	Handle, Release	1	1
9		40363X000	Hex Nut (3/8"-16)	1	3
10		1022877-NLA	NLA - Tube, Support and Drive Link, Chrome - Right	1	1
10		1022878-NLA	NLA - Tube, Support and Drive Link, Chrome - Left	1	1
11		1024911-NLA	NLA - Decal, Smartleg	1	1
12		47330X003	Spacer (5/16 x 1/2 x 3/8")	1	1
13		1025133	Spacer, Legrest Pad, Black	1	1
14		04526X019	Plate, Legrest Pad	1	1
15		1014807	Screw, Hex Head (5/16-24 x 3-1/4")	1	1
16		7930363-NLA	NLA - Package, Locknut (5/16"-24)	25	2
17		1027377	Washer (#20)	1	1
18		1022848	Tube, Slide, Articulating, Chrome - Right	1	1
18		1022849	Tube, Slide, Articulating, Chrome - Left	1	1
19		11232X009	Bolt, Lug (5/16-24 x 1-3/8")	1	1
20		1049527	Washer, Nylon (3/8 x 3/4 x 1/16")	1	2
21		48823X008	Spring, Leaf	1	1
22		47328X003	Bushing, Pivot (5/16 x 7/16 x 7/8")	1	1
23		42326X004	Bar, Ratchet - Right/Left	1	1
24		04528X002	Bracket, Release, Black	1	1
25		1022854-NLA	NLA - Screw, Shoulder Slotted Head (1/2 x 1-1/8", 3/8-16)	1	1
26		7930336-NLA	NLA - Nut, Acorn (5/16-24)	25	1
27		7930310-NLA	NLA - Washer, Nylon (5/16 x 11/16 x 1/16")	25	1
28		1040831	Ring, Snap	1	1
29		7930333	Locknut (1/4-20)	25	1
30		1017148	Pivot, Footrest	1	1
31		1029501	Plug Button, Black (1")	1	1
32		1037485	Spring, Release	1	1

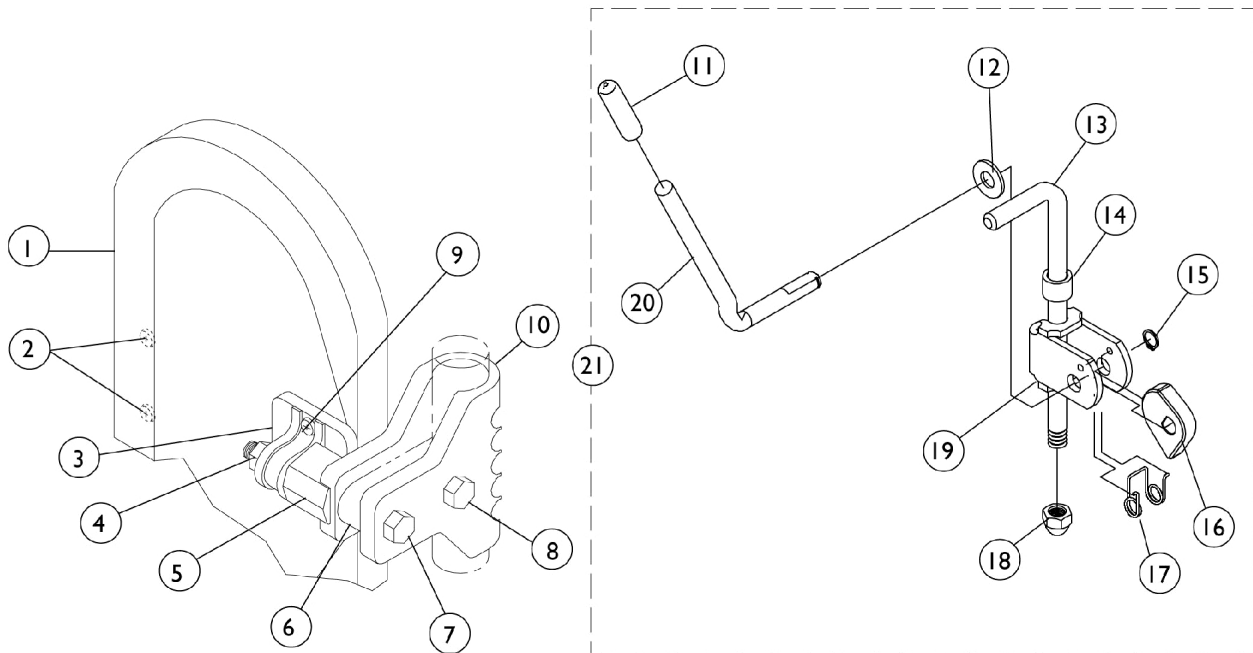
Articulating Legrest Support Assembly - ATL4A (Center Pivot)

Legrest Support does not include Legrest Pad.

Item Number	Note	Part Number	Description	Quantity Per	
				Package	Assembly
33		1037125	Cam, Legrest	1	1
34		1025454	Housing, Latch - Right	1	1
34		1025455	Housing, Latch - Left	1	1
35		1022866-NLA	NLA - Screw, Socket Button Head (3/8-16 x 3/4")	1	2
36		1022846-NLA	NLA - Bar, Link, Black	1	1

Legrest Calf Pads and Ratchet Assemblies

Due to a change to the Legrest Calf Pad size made on 4/23/12, you must also order the hardware kit (1066591) when ordering replacement Calf Pads.



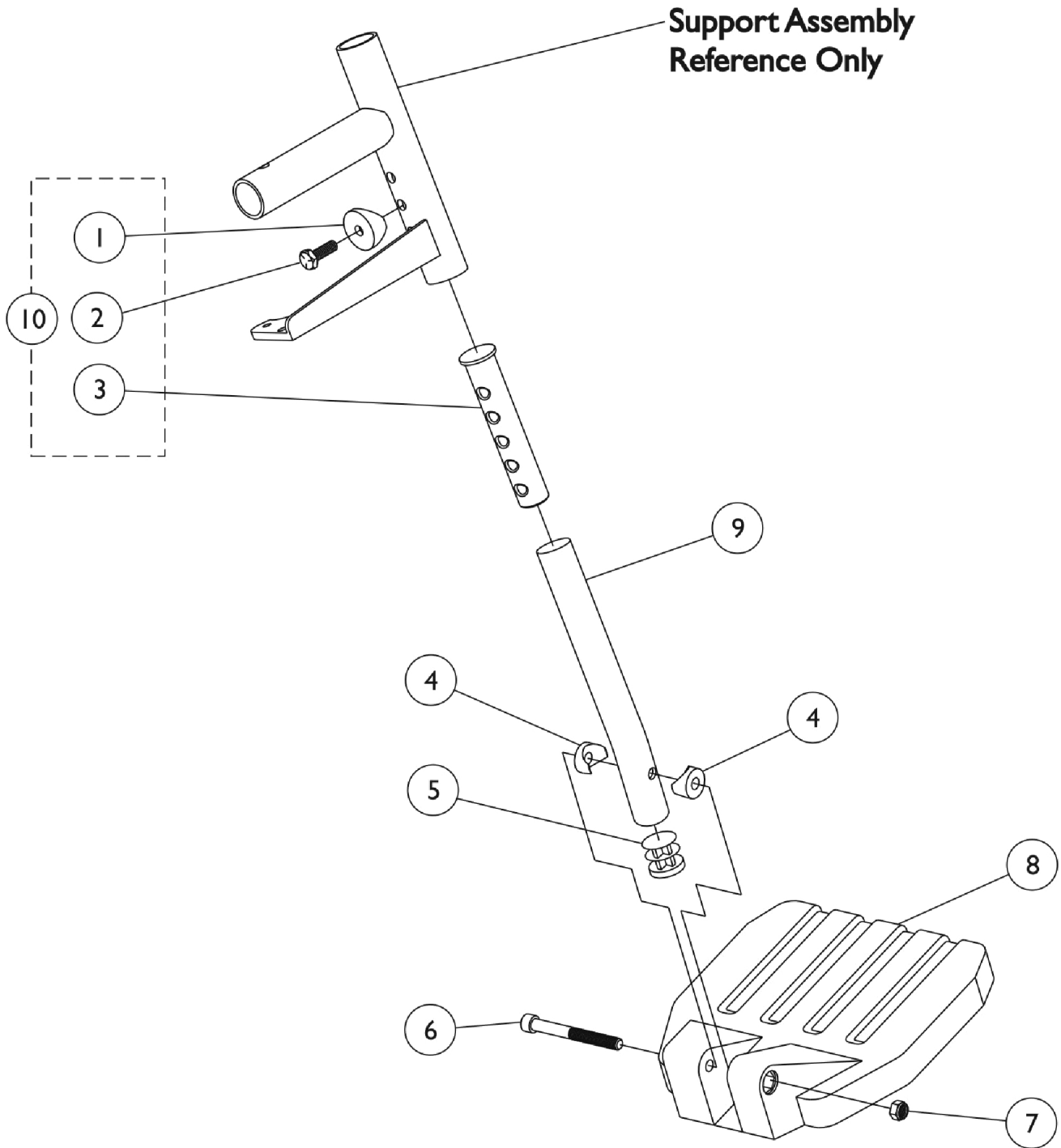
Legrest Calf Pads and Ratchet Assemblies

Due to a change to the Legrest Calf Pad size made on 4/23/12, you must also order the hardware kit (1066591) when ordering replacement Calf Pads.

Item Number	Note	Part Number	Description	Quantity Per	
				Package	Assembly
1	A,B,D	1091767-NLA	NLA - Pad with Screws, Legrest (Pair)	2	1
1	A,C,D, G	8881091764	Pad, Legrest, Vinyl - Right/Left	1	1
1	A,E,G	88804529X003	Pad, Legrest, Vinyl - Right	1	1
1	A,E,G	88804529X004	Pad, Legrest, Vinyl - Left	1	1
1		01415X000-NLA	NLA - Cover, Legrest Pad	1	1
2		40163X006-NLA	NLA - Screw, Phillips Pan Head (#10-14 x 1/16")	1	1
3		04526X019	Plate, Legrest Pad	1	1
4		1025730	Locknut (5/16-24)	1	1
5		1025133	Spacer, Legrest Pad, Black	1	1
6		1032267	Spacer, Legrest Pad Mounting, Black	1	1
7		1037110	Screw, Hex Head (5/16-24 x 3-1/2")	1	1
8		1028514	Screw, Hex Head (5/16-24 x 1-1/2")	1	1
9	F	1066591	Hardware, Legrest Pad	1	1
			Screw, Phillips Pan Head (#10-32 x 11/16")	1	2
			Screw, Phillips Pan Head (#10-32 x 1")	1	2
			Instruction Sheet, Legrest Pad Mtg.	1	1
10		1032266	Bracket, Legrest Pad Mounting, Black	1	1
11		1040060	Tip, Plastic, Black	1	1
12		1013519	Washer, Nylon (5/16 x 11/16 x 1/16")	1	1
13		42326X004	Bar, Ratchet - Right/Left	1	1
14		47330X003	Spacer (5/16 x 1/2 x 3/8")	1	2
15		1040831	Ring, Snap	1	1
16		1037125	Cam, Legrest	1	1
17		1037485	Spring, Release	1	1
18		10261X000	Nut, Acorn (5/16-24)	1	1
19		04528X002	Bracket, Release, Black	1	1
20		1037126	Handle, Release	1	1
21		1046331-NLA	NLA - Kit, Articulating Legrest Ratchet Hardware (Pair)	2	1
21		1046329	Kit, Elevating Legrest Ratchet Hardware (Pair)	2	1

NOTE: A - Specify U67 upholstery color when ordering.
 B - Before 9/00
 C - After 8/00
 D - 16-22" Wide Chairs
 E - 14-15" Wide Chairs
 F - Includes Screws and Instruction Sheet.
 G - Due to a change to the Legrest Calf Pad size made on 4/23/12, you must also order the hardware kit (1066591) when ordering replacement Calf Pads.

Footplate, Pivot Tube, and Hardware -1651 Composite

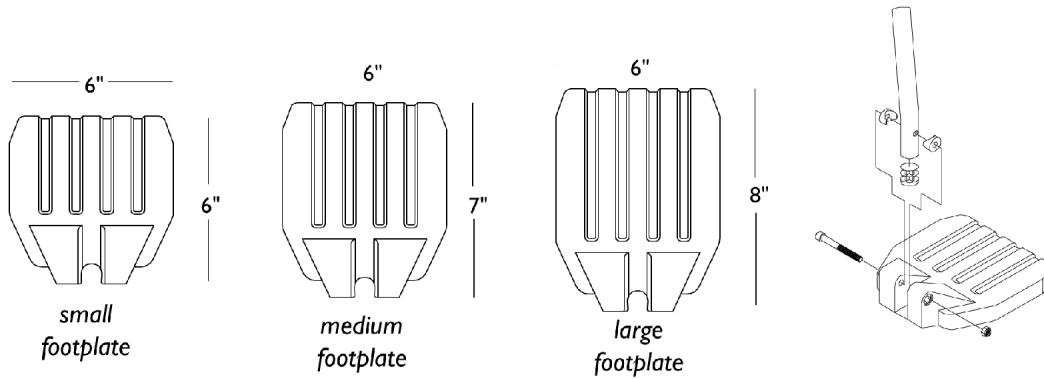


Footplate, Pivot Tube, and Hardware -1651 Composite

Item Number	Note	Part Number	Description	Quantity Per	
				Package	Assembly
1		1026099	Spacer, Coved (1/4 x 11/16 x 1/2")	1	1
2		1045267	Screw, Hex Head w/ Patch (1/4-20 x 3/4")	1	1
3	A	1020534	Insert, Threaded	1	1
4		1025457	Spacer, Coved (1/4 x 3/4 x 11/32")	1	2
5		1027097	Plug Button, Black (3/4")	1	1
6		60285X006	Screw, Socket Head (1/4-20 x 2-1/4")	1	1
7		1025195	Locknut (1/4-20)	1	1
8		1026879	Footplate, Composite, Small, Black (6" W x 6" L)	1	1
8		1026880	Footplate, Composite, Medium, Black (7" W x 6" L)	1	1
8		1026881	Footplate, Composite, Large, Black (8" W x 6" L)	1	1
9		1120383	Tube, Pivot/Slide, Curved End, Black - Short (8-1/4")	1	1
9		1120382	Tube, Pivot/Slide, Curved End, Black - Long (9-7/8")	1	1
9		1120386	Tube, Pivot/Slide, Curved, 2" Longer, Black (11-7/8")	1	1
9		1120384-NLA	NLA - Tube, Pivot/Slide, Straight - Alum. (9-7/8" L)	1	1
9		1120385	Tube, Pivot/Slide, Straight - Black (11-7/8" L)	1	1
9		1061967	Tube, Pivot/Slide, Straight, Black (5-1/2")	1	1
10		1026703	Kit, Pivot/Slide Tube Mounting Hardware (Pair)	1	1

NOTE: A - As of 8/15/03, the Threaded Insert was revised from 3 to 5 Holes. Threaded Insert is Backward Compatible and does not require ordering in Pairs.

Footplate and Pivot Tube Assemblies -1651 Composite



60 Degree (13-19") Curved End

	Small Long 14"	Small 2" Longer 14"	Medium Long 15-16"	Medium 2" Longer 15-16"	Large Long 17-22"	Large 2" Longer 17-22"
Right	1028391	1032627-NLA	1028387	1032625-NLA	1028383	1032623-NLA
Left	1028392	1032628-NLA	1028388	1032626-NLA	1028384	1032624-NLA

Footplate and Pivot Tube Assemblies -1651 Composite

60 Degree MFX (9-3/4-14") Curved End

	Small Short 14"	Medium Short 15-16"	Large Short 17-22"
Right	1028389-NLA	1028385-NLA	1028381-NLA
Left	1028390-NLA	1028386-NLA	1028382-NLA

70 Degree (14-19") Straight

	Small Short 14"	Small 2" Longer 14"	Medium Short 15-16"	Medium 2" Longer 15-16"	Large Short 17-22"	Large 2" Longer 17-22"
Right	1042784-NLA	1042790	1042786	1042792	1042788	1042794
Left	1042785-NLA	1042791	1042787	1042793	1042789	1042795

70 Degree Tapered (14-1/2-19-1/2") Straight

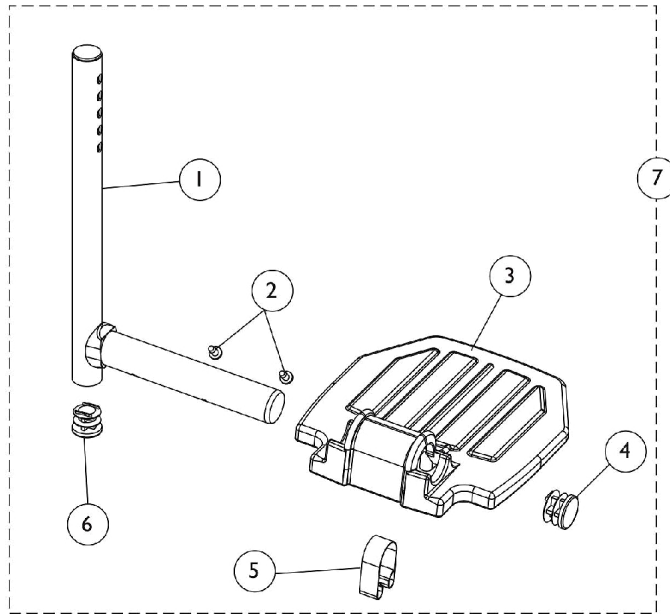
	Small Short 16-17"	Small 2" Longer 16-17"	Medium Short 18-19"	Medium 2" Longer 18-19"	Large Short 20-22"	Large 2" Longer 20-22"
Right	1042784-NLA	1042790	1042786	1042792	1042788	1042794
Left	1042785-NLA	1042791	1042787	1042793	1042789	1042795

Elevating Legrest (16-20") Curved End

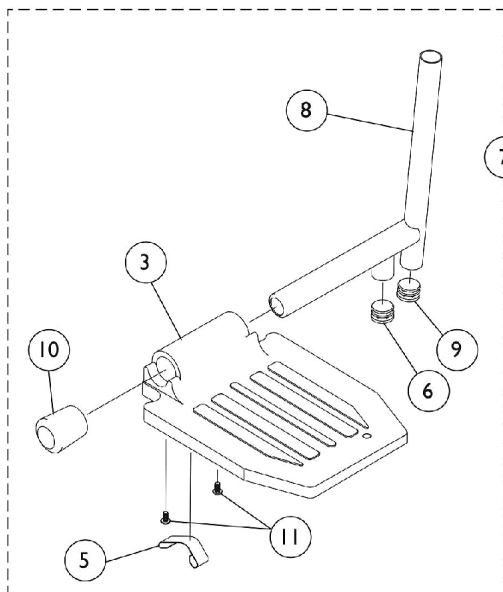
	Small Long 14"	Small 2" Longer 14"	Medium Long 15-16"	Medium 2" Longer 15-16"	Large Long 17-22"	Large 2" Longer 17-22"
Right	1028391	1032627-NLA	1028387	1032625-NLA	1028383	1032623-NLA
Left	1028392	1032628-NLA	1028388	1032626-NLA	1028384	1032624-NLA

After 11/93 Straight Slide Tubes are used on 70 degree Tapered and 70 degree Non-Tapered Supports. All chairs made before 12/93 had Slide Tubes with the Curved End, use the 60 degree chart for reference.

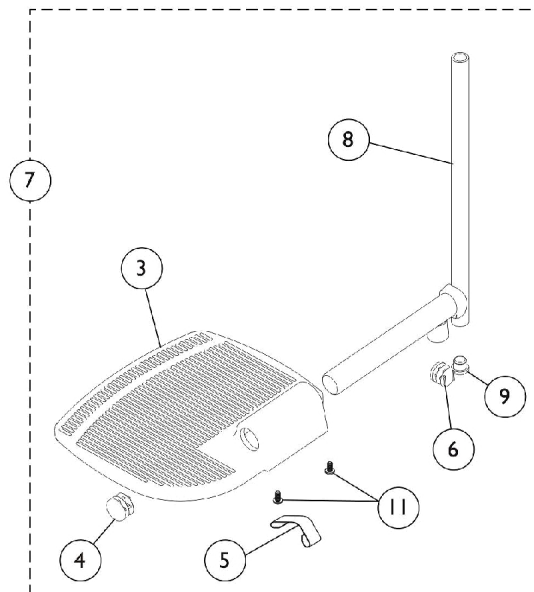
Footplate, Pivot Tube and Hardware - A1562/A1564 Aluminum



**All Footrests and AT5044 Legrests
w/ Small / Medium / Extra Large Footplate**



**ATL4A Articulating Legrests
w/ Small / Medium Footplate**



**ATL4A Articulating Legrests
w/ Extra Large Footplate**

Footplate, Pivot Tube and Hardware - A1562/A1564 Aluminum

Item Number	Note	Part Number	Description	Quantity Per	
				Package	Assembly
1		1120330	Pivot/Slide Tube w/ Plug, Black	1	1
2		1025729	Screw, Phillips Pan Head Tap (#8-32 x 3/8")	1	2
3		44200X032-NLA	NLA - Footplate, Aluminum, Extra Small, Black (5-3/4" W x 6" L)	1	1
3		44200X059	Footplate, Aluminum, Small, Black (6-3/4" W x 6" L)	1	1
3		44200X027	Footplate, Aluminum, Medium, Black (7-3/4" W x 6" L)	1	1
3		44200X025	Footplate, Aluminum, Extra Large, Black - Right (8" W x 8-1/2" L)	1	1
3		44200X026	Footplate, Aluminum, Extra Large, Black - Left (8" W x 8-1/2" L)	1	1
4		1027095	Plug Button, Black (7/8")	1	1
5	A	1006981	Spring, Tension	1	1
5	D,B	1036123	Spring, Leaf	1	1
6		1027097	Plug Button, Black (3/4")	1	1
7		See Chart	#7 Aluminum Footplate w/ Pivot Tube Assembly	1	1
8		1041526	Pivot/Slide Tube w/ Plug Button Assembly, Chrome	1	1
9		1018133	Plug Button, Black (5/8")	1	1
10		1016346	Cap, End, Tube, Black (7/8")	1	1
11		40120X001	Screw, Phillips Pan Head (#8-32 x 3/8")	1	2
	C	1074568	Package, Push Plug, Footplate	2	1

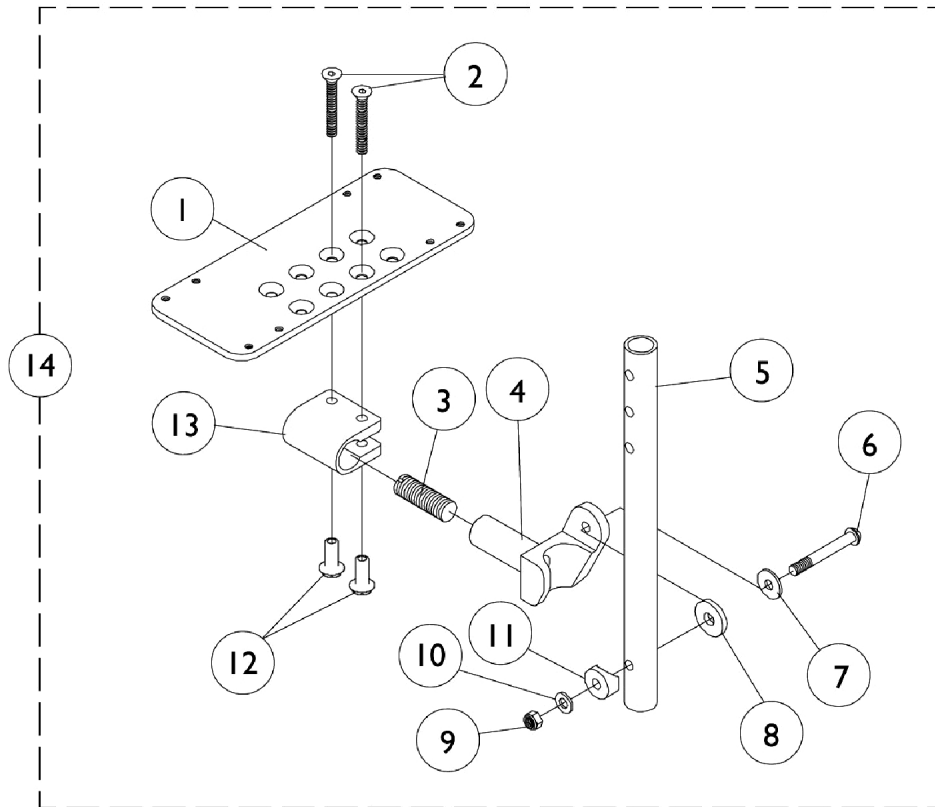
NOTE: A - Use with Small / Medium Footplates.
 B - Use with Extra Large Footplates.
 C - Not Shown.
 D - Use one or more leaf springs per assembly as required such that footplate may be moved by hand to the up-right position and remain in place.

#7 Aluminum Footplate w/ Pivot Tube Assembly

Description	Footplate Size	Chair Width	Right	Left
All Footrests	Extra Small	12-13"	1120333	1120334
All Footrests & AT5044 Legrest	Small	14-15"	1120335	1120336
All Footrests & AT5044 Legrest	Medium	16-22"	1120337	1120338
All Footrests & AT5044 Legrest	Extra Large	16-22"	1120339	1120340
ATL4A Articulating Legrest	Small	14-16"	1023905-NLA	1023906-NLA
ATL4A Articulating Legrest	Medium	17-22"	1023907	1023908
ATL4A Articulating Legrest	Extra Large	16-22"	1035456	1035457

Footplate, Pivot Tube and Hardware - A1562/A1564 Aluminum

Adjustable Angle Footplates with Pivot Tube - AT5543 (Chairs Built Before 6/01/03)



Adjustable Angle Footplates with Pivot Tube - AT5543 (Chairs Built Before 6/01/03)

Item Number	Note	Part Number	Description	Quantity Per	
				Package	Assembly
1	B	1060425-NLA	NLA - Footplate, Adjustable Angle, Small, Black (3-1/4" W x 8" L)	1	1
1	B	1060426-NLA	NLA - Footplate, Adjustable Angle, Medium, Black (4-1/4" W x 8" L)	1	1
1	B	1060427-NLA	NLA - Footplate, Adjustable Angle, Large, Black (5-1/4" W x 8" L)	1	1
1	B	1062569-NLA	NLA - Footplate, Adjustable Angle, Extra Large, Black (6-1/4" W x 8" L)	1	1
1	B	1068617-NLA	NLA - Footplate, Adjustable Angle, XX-Large, Black (7-1/4" W x 8" L)	1	1
2	A	1029545	Screw, Socket Flat Head (1/4-20 x 3/4")	1	2
3		1048816	Screw, Nylon Adjustment (1/2-13 x 7/8")	1	1
4		1052102	Hinge, Footplate - Right	1	1
4		1052103	Hinge, Footplate - Left	1	1
5		1120384-NLA	NLA - Tube, Pivot/Slide, Straight - Alum. (9-7/8" L)	1	1
5		1120385	Tube, Pivot/Slide, Straight - Black (11-7/8" L)	1	1
6		7930321-NLA	NLA Package, Screw, Socket Button Head (1/4-20 x 1-7/8")	25	1
7		1026900	Washer (1/4 x 23/32 x 1/16")	1	1
8		7930313	Package, Washer, Nylon (5/16 x 7/8 x 1/8")	25	1
9		7930333	Locknut (1/4-20)	25	1
10		1026907	Washer (1/4 x 1/2 x 1/16")	1	1
11		1025457	Spacer, Coved (1/4 x 3/4 x 11/32")	1	1
12	A	1082686	Nut, Barrel, Hex Head (1/4-20 x 11/16")	1	2
13	A	1058517	Clamp, Footplate	1	1
14		See Chart	#14 60 Degree, 60 Degree MFX, 70 Degree Non-Tapered and ELR's	1	1
14		See Chart	#14 70 Degree Tapered	1	1
14		See Chart	#14 90 Degree and 70 Degree MFX	1	1

NOTE: A - Due to a hardware change, for chairs built Before 8/99 items 2, 12, and 13 must be ordered together.
B - Please refer to the charts in this category for footplate size application specific to front rigging type.

Adjustable Angle Footplates with Pivot Tube - AT5543 (Chairs Built Before 6/01/03)

#14 60 Degree, 60 Degree MFX, 70 Degree Non-Tapered and ELR's

Straight Slide Tube (9-7/8")	Right	Left
14-15" Wide (5-1/4" Footplate)	1060432	1060433
16-17" Wide (6-1/4" Footplate)	1062572	1062573
18-22" Wide (7-1/4" Footplate)	1068620	1068621
ALPT Straight Slide Tube (Aluminum 11-7/8")	Right	Left
14-15" Wide (5-1/4" Footplate)	1060440-NLA	1060441
16-17" Wide (6-1/4" Footplate)	1062578	1062579
18-22" Wide (7-1/4" Footplate)	1068622	1068623

Adjustable Angle Footplates with Pivot Tube - AT5543 (Chairs Built Before 6/01/03)

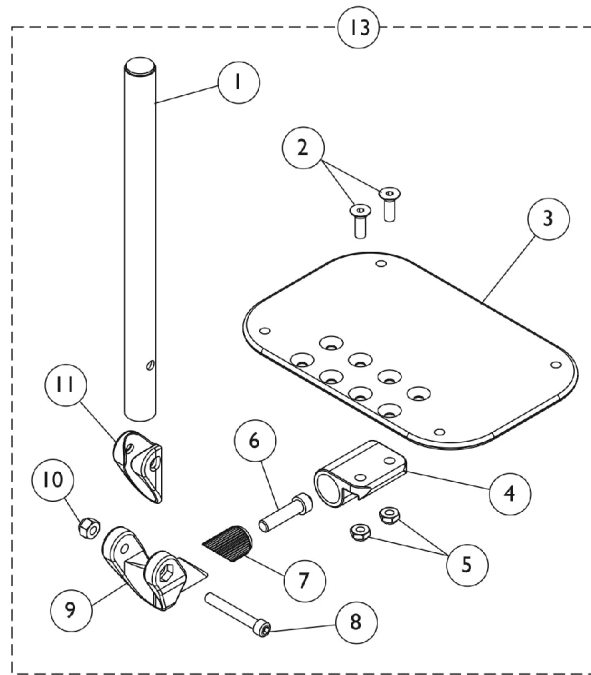
#14 70 Degree Tapered

Straight Pivot Tube (9-7/8" Long)	Right	Left
16" Wide (4-1/4" Footplate)	1060430	1060431
17-18" Wide (5-1/4" Footplate)	1060432	1060433
19-22" Wide (6-1/4" Footplate)	1062572	1062573
ALPT Straight Pivot Tube (11-7/8" Long)	Right	Left
16" Wide (4-1/4" Footplate)	1062576-NLA	1062577-NLA
17-18" Wide (5-1/4" Footplate)	1060440-NLA	1060441
19-22" Wide (6-1/4" Footplate)	1062578	1062579

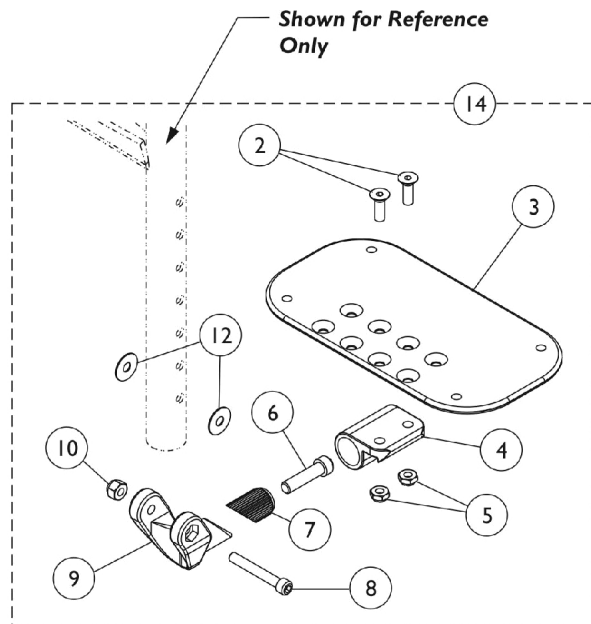
#14 90 Degree and 70 Degree MFX

No Pivot Tube, Bolts Through Support	Right	Left
14-15" Wide (5-1/4" Footplate)	1060438	1060439
16-17" Wide (6-1/4" Footplate)	1062570	1062571
18-22" Wide (7-1/4" Footplate)	1068618	1068619

Adjustable Angle Footplates with or without Pivot Tube - AT5543 (Chairs Built After 5/31/03)



**Swingaway Front Riggings
Except 90 Degree and 70 Degree MFX**



90 Degree and 70 Degree MFX

Adjustable Angle Footplates with or without Pivot Tube - AT5543 (Chairs Built After 5/31/03)

Item Number	Note	Part Number	Description	Quantity Per	
				Package	Assembly
1	A	1114699	Tube, Pivot/Slide, Straight, Black (10-1/4")	1	1
1	B	1114707	Tube, Pivot/Slide, Straight, Chrome (11-7/8")	1	1
1	C	1114700	Tube, Pivot/Slide, Straight, 2" Longer ALPT, Black (12-1/4")	1	1
2		1113578	Screw, Socket Flat Head (1/4-28 x 3/4")	1	2
3	F,G	1113571	Footplate, Adjustable Angle, Small, Black (3-1/4" W x 8" L)	1	1
3	F,G	1113572	Footplate, Adjustable Angle, Medium, Black (4-1/4" W x 8" L)	1	1
3	F,G	1113573	Footplate, Adjustable Angle, Large, Black (5-1/4" W x 8" L)	1	1
3	F,G	1113574	Footplate, Adjustable Angle, Extra Large, Black (6-1/4" W x 8" L)	1	1
3	F,G	1113575	Footplate, Adjustable Angle, XX- Large, Black (7-1/4" W x 8" L)	1	1
4		1113528	Bracket, Adjustable Angle Footplate, Black	1	1
5		1025765	Locknut (1/4-28)	1	2
6		1021344	Screw, Socket Head (5/16-18 x 1-1/2")	1	1
7		1113530	Attachment, Hinge	1	1
8		1096810	Screw, Socket Head (1/4-28 x 1-3/4")	1	1
9		1113529	Hinge, Adjustable Angle Footrest	1	1
10		1065362	Locknut (1/4-28)	1	1
11		1114688	Spacer, Hinge, Black	1	1
12		1025456	Washer, Nylon (3/4 x 1/4 x 1/32")	1	2
13	D	See Chart	#13 60 Degree, 60 Degree MFX, 70 Degree Non-Tapered and ELR's	1	1
13	D	See Chart	#13 70 Degree Tapered	1	1
13	D	See Chart	#13 Articulating Legrests	1	1
14	E	See Chart	#14 90 Degree and 70 Degree MFX	1	1

NOTE: A - Swingaway Front Riggings, Except 90 Degree and 70 Degree MFX
 B - Articulating Legrest
 C - ALPT 2" Longer
 D - Includes items 1-11
 E - Includes items 2-10, and 12
 F - Please refer to the charts in this category for footplate size application specific to front rigging type.
 G - This footplate was revised 9/2/2008 with rounder corners and accessory holes changed from 8 to 4. Recommended to replace footplate in pairs to match sides.

Adjustable Angle Footplates with or without Pivot Tube - AT5543 (Chairs Built After 5/31/03)

#13 Adjustable Angle Footplates w/ Pivot Tubes

60 Degree, 60 Degree MFX, 70 Degree Non-Tapered and ELR's

Straight Slide Tube (10-1/4")	Right	Left
12" Wide (3-1/4" Footplate)	1114638-NLA	1114639-NLA
13" Wide (4-1/4" Footplate)	1114640	1114641
14-15" Wide (5-1/4" Footplate)	1114642	1114643
16-17" Wide (6-1/4" Footplate)	1114644	1114645
18-22" Wide (7-1/4" Footplate)	1114646	1114647
ALPT Straight Slide Tube (12-1/4")	Right	Left
12-13" Wide (4-1/4" Footplate)	1114650	1114651
14-15" Wide (5-1/4" Footplate)	1114652	1114653
16-17" Wide (6-1/4" Footplate)	1114654	1114655
18-22" Wide (7-1/4" Footplate)	1114656	1114657

Adjustable Angle Footplates with or without Pivot Tube - AT5543 (Chairs Built After 5/31/03)

#13 Adjustable Angle Footplates w/ Pivot Tubes

70 Degree Tapered

Straight Slide Tube (10-1/4")	Right	Left
16" Wide (4-1/4" Footplate)	1114640	1114641
17-18" Wide (5-1/4" Footplate)	1114642	1114643
19-22" Wide (6-1/4" Footplate)	1114644	1114645
ALPT Straight Slide Tube (Aluminum 12-1/4")	Right	Left
16" Wide (4-1/4" Footplate)	1114650	1114651
17-18" Wide (5-1/4" Footplate)	1114652	1114653
19-22" Wide (6-1/4" Footplate)	1114654	1114655

#13 Adjustable Angle Footplates w/ Pivot Tubes

Articulating Legrests

Articulating Legrest (11-7/8")	Right	Left
14-15" Wide (5-1/4" Footplate)	1114708	1114709
16-17" Wide (6-1/4" Footplate)	1114710	1114711
18-22" Wide (7-1/4" Footplate)	1114712	1114713

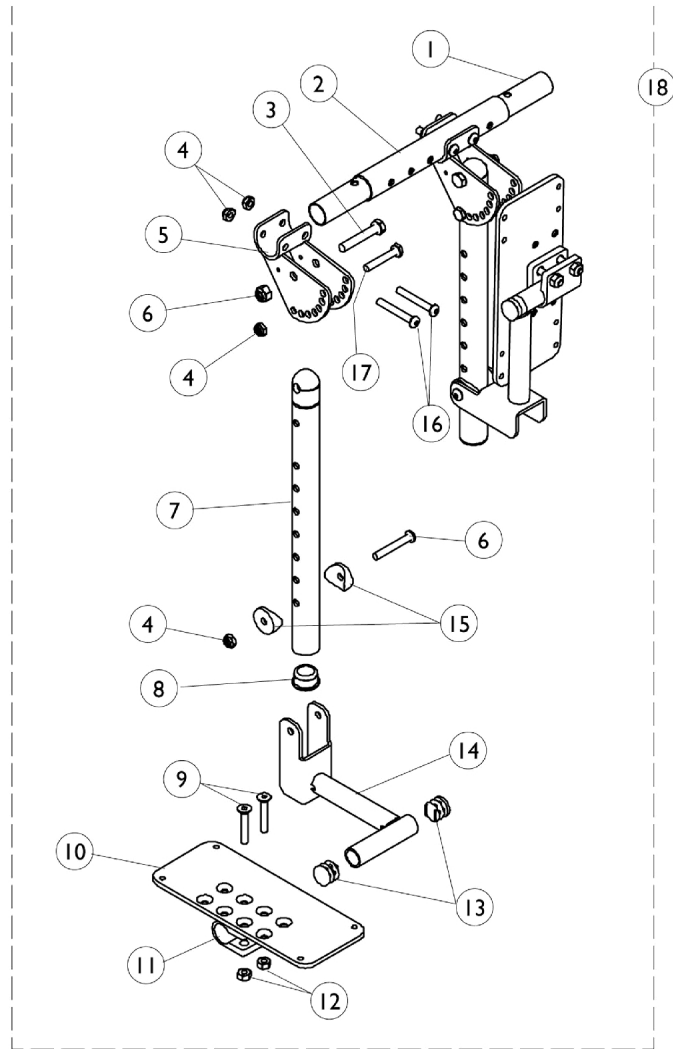
Adjustable Angle Footplates with or without Pivot Tube - AT5543 (Chairs Built After 5/31/03)

#14 Adjustable Angle Footplates w/ Pivot Tubes

90 Degree and 70 Degree MFX

No Slide Tube Bolts Through Support	Right	Left
12-13" Wide (4-1/4" Footplate)	1114630	1114631
14-15" Wide (5-1/4" Footplate)	1114632	1114633
16-17" Wide (6-1/4" Footplate)	1114634	1114635
18-22" Wide (7-1/4" Footplate)	1114636	1114637

Bilateral Contracture Footrest



Bilateral Contracture Footrest

Item Number	Note	Part Number	Description	Quantity Per	
				Package	Assembly
1		See Chart	#1 Insert Tube	1	1
2		See Chart	#2 Outer Tube	1	1
3		1044939-NLA	NLA - Screw, Hex Head (5/16-18 x 1-3/4")	1	2
4		1025195	Locknut (1/4-20)	1	8
5		1093925-NLA	NLA - Bracket, Angle Adjustment, Black	1	2
6		1001762	Screw, Socket Button Head (1/4-20 x 1-3/4")	1	2
7		1093923-NLA	NLA - Support, Contracture, Black	1	2
8		1056328	Plug Button, Black (1")	1	2
9		1060097-NLA	NLA - Screw, Socket Flat Head (1/4-28 x 1-1/2")	1	4
10		1060425-NLA	NLA - Footplate, Adjustable Angle, Small, Black (3-1/4" W x 8" L)	1	2
10	A	1060426-NLA	NLA - Footplate, Adjustable Angle, Medium, Black (4-1/4" W x 8" L)	1	2
10	B	1113572	Footplate, Adjustable Angle, Medium, Black (4-1/4" W x 8" L)	1	2
10	A	1060427-NLA	NLA - Footplate, Adjustable Angle, Large, Black (5-1/4" W x 8" L)	1	2
10	B	1113573	Footplate, Adjustable Angle, Large, Black (5-1/4" W x 8" L)	1	2
10	A,C	1062569-NLA	NLA - Footplate, Adjustable Angle, Extra Large, Black (6-1/4" W x 8" L)	1	2
10	B	1113574	Footplate, Adjustable Angle, Extra Large, Black (6-1/4" W x 8" L)	1	2
10	A	1068617-NLA	NLA - Footplate, Adjustable Angle, XX-Large, Black (7-1/4" W x 8" L)	1	2
10	B	1113575	Footplate, Adjustable Angle, XX- Large, Black (7-1/4" W x 8" L)	1	2
11		1058517	Clamp, Footplate	1	2
12		1025711-NLA	NLA - Nut, Hex (1/4-20)	1	4
13		1027097	Plug Button, Black (3/4")	1	4
14		1093926-NLA	NLA - Bracket, Footplate Mounting, Black - Right	1	1
14		1093927-NLA	NLA - Bracket, Footplate Mounting, Black - Left	1	1
15		40157X020	Spacer, Coved (1/4 x 1 x 9/16")	1	4
16		1001762	Screw, Socket Button Head (1/4-20 x 1-3/4")	1	4
17		1030949	Screw, Hex Head (1/4-20 x 1-1/2")	1	2
18		See Chart	#18 Bilateral Contracture Footrest Kit	1	1

NOTE: A - Used before 9/2/08.
 B - Used after 9/1/08.
 C - Part #1062569 is No Longer Available. Order part #1113574 as a replacement. The footplate design was revised 9/2/08 with rounder corners and accessory holes chaged from eigh to four. It is recommended to replace footplate in pairs to match.

#1 Insert Tube

14" Width	15" Width	16" Width	17" Width	18" Width
-----------	-----------	-----------	-----------	-----------

Bilateral Contracture Footrest

#1 Insert Tube

14" Width	15" Width	16" Width	17" Width	18" Width
1095315-NLA	1095316-NLA	1095317-NLA	1095318-NLA	1095319-NLA
19" Width	20" Width	21" Width	22" Width	
1095320-NLA	1095321-NLA	1095322-NLA	1095323-NLA	

Bilateral Contracture Footrest

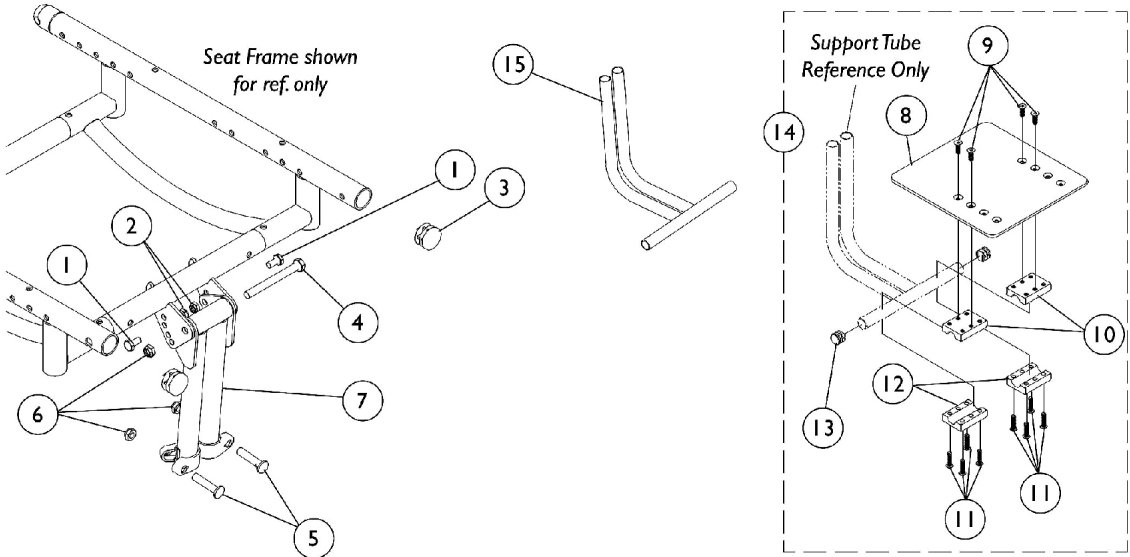
#2 Outer Tube

14" Width	15" Width	16" Width	17" Width	18" Width
1095330-NLA	1095331-NLA	1095332-NLA	1095333-NLA	1095334-NLA
19" Width	20" Width	21" Width	22" Width	
1095335-NLA	1095336-NLA	1095337-NLA	1095338-NLA	

#18 Bilateral Contracture Footrest Kit

14" Width	15" Width	16" Width	17" Width	18" Width
1095340-NLA	1095341-NLA	1095342-NLA	1095343-NLA	1095344-NLA
19" Width	20" Width	21" Width	22" Width	
1095345-NLA	1095346-NLA	1095347-NLA	1095348-NLA	

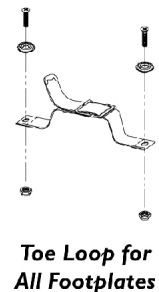
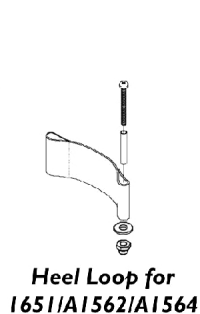
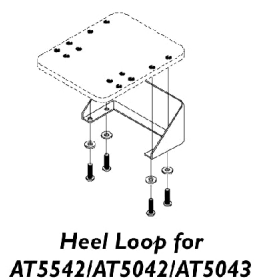
Contracture Platform™ Footrest



Contracture Platform™ Footrest

Item Number	Note	Part Number	Description	Quantity Per	
				Package	Assembly
1		1025752-NLA	NLA - Screw, Hex Head (1/4-20 x 1-1/2")	1	2
2		1025195	Locknut (1/4-20)	1	2
3		1029501	Plug Button, Black (1")	1	2
4		1028600-NLA	NLA - Screw, Hex Head (5/16-24 x 3")	1	1
5		1026030	Bolt, Lug (5/16-24 x 1-3/8")	1	2
6		1025730	Locknut (5/16-24)	1	3
	A,B	1108552-NLA	NLA - Hardware, Contracture Support Attaching	1	1
7		1052436-NLA	NLA - Support, Contracture Platform, Black, Long	1	1
8		1044076	Footboard	1	1
9		1029545	Screw, Socket Flat Head (1/4-20 x 3/4")	1	4
10		1027626-NLA	NLA - Half Clamp, Threaded	1	2
11		1009837	Screw, Socket Button Head (1/4-20 x 1")	1	8
12		1027627-NLA	NLA - Half Clamp, Non-Threaded	1	2
13		1027097	Plug Button, Black (3/4")	1	2
14	E	1052444-NLA	NLA - Footboard with Hardware	1	1
15	C,D	1052441	Tube, Support, Lower, 110 Degree, Black, Long	1	1
NOTE: A - Not Shown B - Includes items 1-6. C - Specify frame color when ordering. D - If "chrome" Support Tube is requested, it must be ordered as "special". Reference color part number when ordering. E - Includes items 8-13.					

Heel Loops and Toe Loops



1651 Composite

Footplate Size	Heel Loop Single #	Heel Loop Pair #	Heel Loop w/ Ankle Strap Single # - Right	Heel Loop w/ Ankle Strap Single # - Left	Heel Loop w/ Ankle Strap Pair #	Attaching Hardware Pair #
Small	1025234-NLA	1035905	1035908-NLA	1035909-NLA	1035906	1035931
Medium	1017621	1035917-NLA	1035919	1035920	1035918	1035931
Large	1027000	1035929	1035932-NLA	1035933-NLA	1035930	1035931

Heel Loops and Toe Loops

A1562 Aluminum

Footplate Size	Heel Loop Single #	Heel Loop Pair #	Heel Loop w/ Ankle Strap Single # - Right	Heel Loop w/ Ankle Strap Single # - Left	Heel Loop w/ Ankle Strap Pair #	Attaching Hardware Pair #
Small (Jr. Only)	1025234-NLA	1035905	1035908-NLA	1035909-NLA	1035906	1035931
Medium	1017621	1035917-NLA	1035919	1035920	1035918	1035931
Large	1027000	1035929	1035932-NLA	1035933-NLA	1035930	1035931

A1564 Extra Large

Footplate Size	Heel Loop Single #	Heel Loop Pair #	Heel Loop w/ Ankle Strap Single # - Right	Heel Loop w/ Ankle Strap Single # - Left	Heel Loop w/ Ankle Strap Pair #	Attaching Hardware Pair #
Large	1027000	1035929	1035932-NLA	1035933-NLA	1035930	1035931

Adjustable Angle #5542 and #AT5543

Before 6/01/03

Footplate Size	Heel Loop Single #	Heel Loop Pair #	Heel Loop w/ Ankle Strap Single # - Right	Heel Loop w/ Ankle Strap Single # - Left	Heel Loop w/ Ankle Strap Pair #	Attaching Hardware Pair #
3-1/4" Wide Footplate	1018269	1036099-NLA	1036097-NLA	1036097-NLA	1036102	1036096
4-1/4" Wide Footplate	1018270	1036100	1027182	1027182	1036103-NLA	1036096
5 & 6-1/4" Wide Footplate	1030958-NLA	1036101	1036098	1036098	1036104-NLA	1036096
7-1/4" Wide Footplate	1069037	N/A	1069049-NLA	1069049-NLA	N/A	1036096

Heel Loops and Toe Loops

Adjustable Angle Footplates - AT5543

After 5/31/03

Footplate Size	Heel Loop Single #	Heel Loop Pair #	Heel Loop w/ Ankle Strap Single # - Right	Heel Loop w/ Ankle Strap Single # - Left	Heel Loop w/ Ankle Strap Pair #	Attaching Hardware Pair #
Extra Small (3-1/4" W)	1018269	1036099-NLA	1036097-NLA	1036097-NLA	1036102	1036096
Small (4-1/4" W)	1025234-NLA	1035905	1035908-NLA	1035909-NLA	1035906	1035931
Medium (5-1/4" W)	1017621	1035917-NLA	1053313-NLA	1053314-NLA	1053329	1035931
Large (6-1/4" W)	1027000	1035929	1035932-NLA	1035933-NLA	1035930	1035931
X-Large (7-1/4" W)	1027000	1035929	1035932-NLA	1035933-NLA	1035930	1035931

AT5043 Flip-Up Aluminum

	Heel Loop Single #	Heel Loop Pair #	Heel Loop w/ Ankle Strap Single # - Right	Heel Loop w/ Ankle Strap Single # - Left	Heel Loop w/ Ankle Strap Pair #	Attaching Hardware Pair #
Small 10"	1018269	1036099-NLA	1036097-NLA	1036097-NLA	1036102	1036096
Medium 12"	1018270	1036100	1027182	1027182	1036103-NLA	1036096

Toe Loops

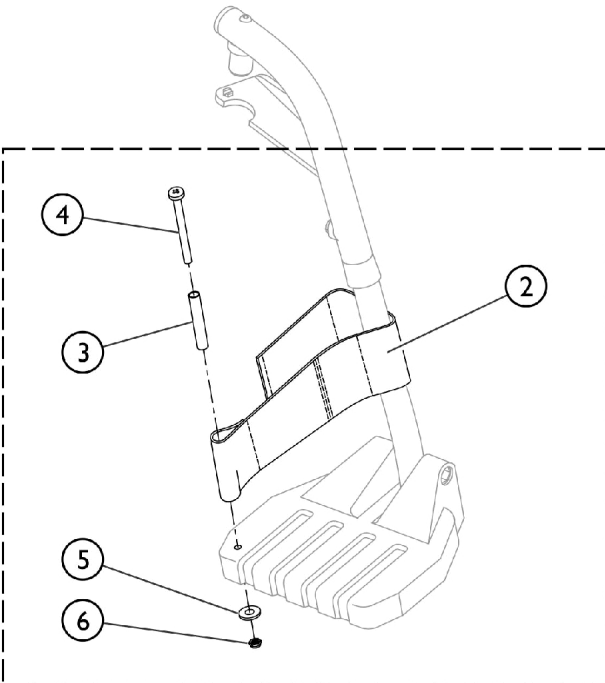
Toe Loop Single #	Toe Loop Pair #	Attaching Hardware Pair #
04572X025	1037087	1037089

Heel Loops and Toe Loops

Heel and Toe Loop Attaching Hardware Kits

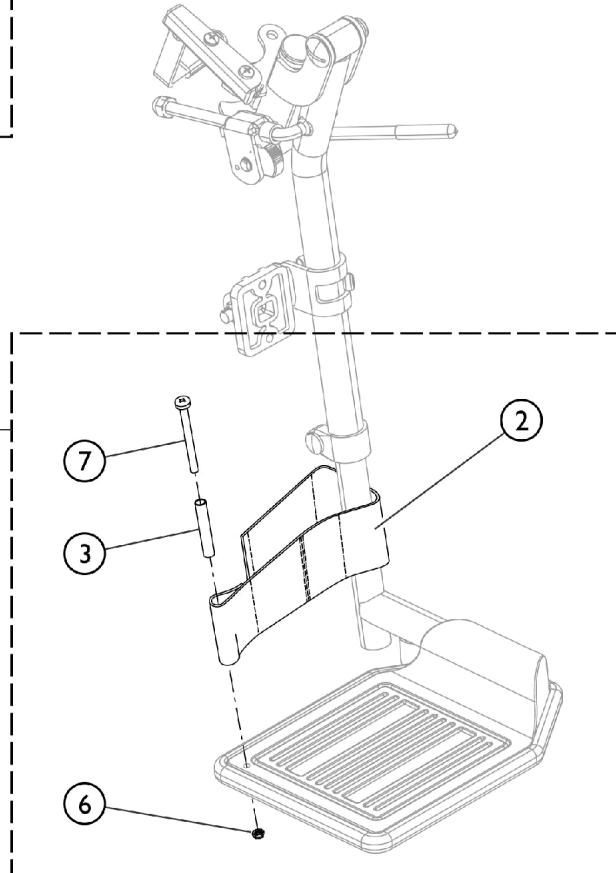
1035931	1036096	1037089
<p>Kit Includes: (2) Screw, Phillips Pan Head (1/4-20 x 2-1/4") (2) Spacer (1/4 x 11/32 x 1-3/4") (2) Hex Nut w/ Nylon Cap (1/4-20) (2) Flat Washer (1/4 x 5/8 x 1/16")</p>	<p>Kit Includes: 8) Screw, Phillips Pan Head (10-32 x 5/16") (8) Flat Washer</p>	<p>Kit Includes: (4) Screw, Phillips Pan Head (10-32 x 7/8") (4) Washer (1/4 x 3/4 x 3/32") (4) Locknut (10-32)</p>

Front Riggings - Adjustable Heel Loops



① **Heel Loop and Hardware for All Footplate Options (Except Deluxe 1450)**

⑪ **Heel Loop and Hardware for Deluxe (1450) Footplates**



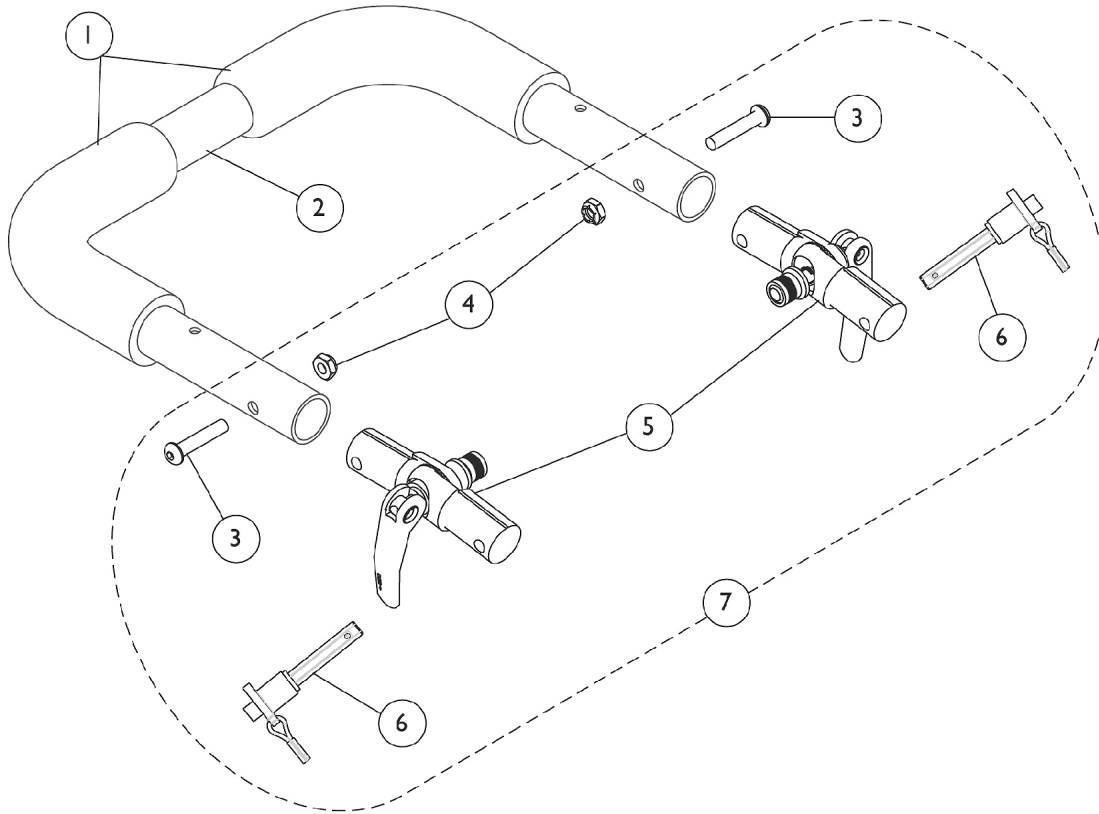
SCM_058A

Front Riggings - Adjustable Heel Loops

Item Number	Note	Part Number	Description	Quantity Per	
				Package	Assembly
1	A	1191117	Kit, Heel Loop, Adjustable w/ Hardware (Pair)	1	1
2			Heel Loop	1	2
3			NLA - Spacer (1/4 x 11/32 x 1-3/4")	1	2
4			NLA - Screw, Phillips Pan Head (1/4-20 x 2-1/4")	1	2
5			Washer, Flat (1/4 x 5/8 x 1/16")	1	2
6			Nut, Hex, Nylon Cap (1/4-20)	1	2
			Instruction Sheet, Adjustable Heel Loop	1	1
11	B	1191116	Kit, Heel Loop, Adjustable w/ Hardware, Deluxe 1450 (Pair)	1	1
2			Heel Loop	1	2
3			NLA - Spacer (1/4 x 11/32 x 1-3/4")	1	2
6			Nut, Hex, Nylon Cap (1/4-20)	1	2
7			NLA - Screw, Phillips Pan Head (1/4-20 x 2-1/2")	1	2
			Instruction Sheet, Adjustable Heel Loop	1	1

NOTE: A - Kit includes items 2 - 6. Used with All Footplates except Deluxe (1450).
 B - Kit includes items 2, 3, 6, and item 7. Used with Deluxe (1450) Footplates only.

Adjustable Angle Stroller Handle



Adjustable Angle Stroller Handle

Item Number	Note	Part Number	Description	Quantity Per	
				Package	Assembly
1		1133698	Grip, Foam Hand (9" L)	1	2
2		See Chart	#2 Push Handle with Grip (12-17" Wide)	1	1
2		See Chart	#2 Push Handle with Grip (18-22" Wide)	1	1
3		1055309	Screw, Socket Button Head (1/4-28 x 1-1/4")	1	2
4		1025765	Locknut (1/4-28)	1	4
5		1112539	Folding Hinge Assembly	1	2
6		1045470	Pin, Quick Release with Lanyard	1	2
7	A	1114689-NLA	NLA - Hardware, Stroller Handle Hinge (1 Pair)	2	1

NOTE: A - Includes items 3-6

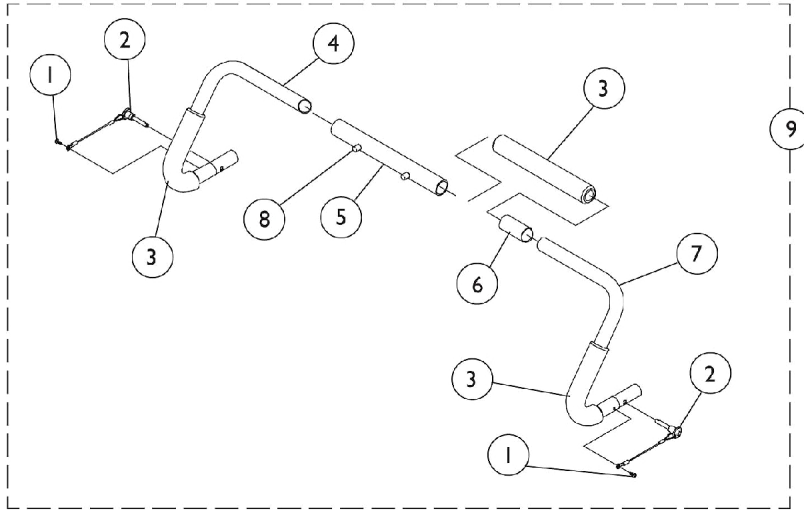
#2 Push Handle with Grip (12-17" Wide)

12" Wide	13" Wide	14" Wide	15" Wide	16" Wide	17" Wide
1082620-NLA	1082621-NLA	1082622-NLA	1082623	1082624	1086406

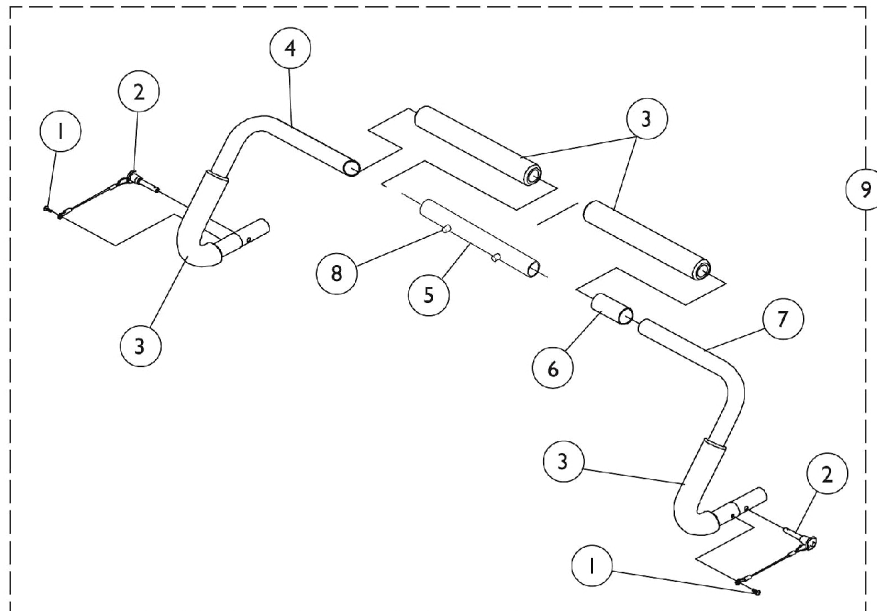
#2 Push Handle with Grip (18-22" Wide)

18" Wide	19" Wide	20" Wide	21" Wide	22" Wide
1086407	1086408	1086409-NLA	1086410	1086411

Stroller Handles - 1483



12-17" Wide Chairs



18-22" Wide Chairs

Stroller Handles - 1483

Item Number	Note	Part Number	Description	Quantity Per	
				Package	Assembly
1		1014386-NLA	NLA - Screw, Phillips Pan Head (#8-32 x 5/8")	1	2
2		1045470	Pin, Quick Release with Lanyard	1	2
3	E	1016254	Grip, Push Handle	1	4
4	A	1055228-NLA	NLA - Handle, Stroller, Black - Left	1	1
4	B	1045552-NLA	NLA - Handle, Stroller, Black - Left	1	1
4	A	1055230-NLA	NLA - Handle, Stroller, Chrome - Left	1	1
4	B	1049512-NLA	NLA - Handle, Stroller, Chrome - Left	1	1
5	F	1120023-NLA	NLA - Slide Tube w/ Snap Buttons Assembly, Chrome	1	1
5	A	1055226-NLA	NLA - Slide Tube w/ Snap Buttons Assembly, Chrome	1	1
5	C	1045361-NLA	NLA - Slide Tube w/ Snap Buttons Assembly, Short, Chrome	1	1
5	D	1045360-NLA	NLA - Slide Tube w/ Snap Buttons Assembly, Long, Chrome	1	1
6	E	See Chart	#6 Spacer Tube	1	1
7	A	1055227-NLA	NLA - Handle, Stroller, Black - Right	1	1
7	B	1045551-NLA	NLA - Handle, Stroller, Black - Right	1	1
7	A	1055229-NLA	NLA - Handle, Stroller, Chrome - Right	1	1
7	B	1049511-NLA	NLA - Handle, Stroller, Chrome - Right	1	1
8		40188X009	Button, Single Snap	1	2
9		See Chart	#9 Stroller Handle Assembly - Black	1	1
9		See Chart	#9 Stroller Handle Assembly - Chrome	1	1

NOTE: A - 14-15" Wide chairs
 B - 16-22" Wide chairs
 C - 16-20" Wide chairs
 D - 21-22" Wide chairs
 E - 14-17" wide chairs require 3 ea.; 18-22" wide chairs require 4 ea.
 F - 12-13" Wide chairs

#6 Spacer Tube

12" Wide	13" Wide	14" Wide	15" Wide	16" Wide	17" Wide
1046178-NLA	1049514-NLA	1049515-NLA	1049516-NLA	Not Required	1049513-NLA
18" Wide	19" Wide	20" Wide	21" Wide	22" Wide	
1046178-NLA	1049514-NLA	1049515-NLA	1049516-NLA	1049517-NLA	

Stroller Handles - 1483

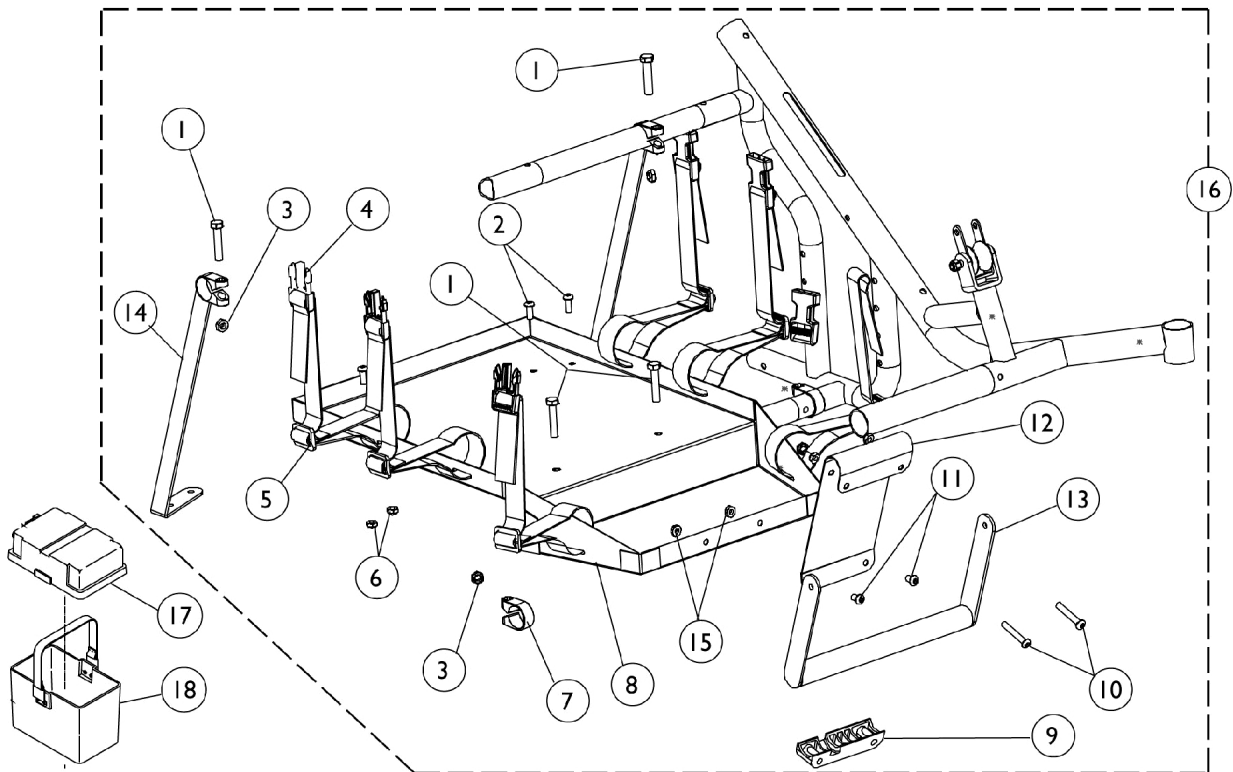
#9 Stroller Handle Assembly - Black

12" Wide	13" Wide	14" Wide	15" Wide	16" Wide	17" Wide
1120024-NLA	1120025-NLA	1055231-NLA	1055232-NLA	1049140	1049141-NLA
18" Wide	19" Wide	20" Wide	21" Wide	22" Wide	
1045362	1049142-NLA	1049143	1049144-NLA	1049145-NLA	

#9 Stroller Handle Assembly - Chrome

12" Wide	13" Wide	14" Wide	15" Wide	16" Wide	17" Wide
N/A	N/A	1055233-NLA	1055234-NLA	1049148-NLA	1049149-NLA
18" Wide	19" Wide	20" Wide	21" Wide	22" Wide	
1049150-NLA	1049151-NLA	1049152-NLA	1049153-NLA	1049154-NLA	

Vent Tray Assembly



Vent Tray Assembly

Item Number	Note	Part Number	Description	Quantity Per	
				Package	Assembly
1		1044939-NLA	NLA - Screw, Hex Head (5/16-18 x 1-3/4")	1	4
2		1055304	Screw, Socket Button Head (1/4-28 x 5/8")	1	4
3		1026158	Locknut (5/16-18)	1	4
4		1052426-NLA	NLA - Buckle, Slide Release	1	3
5		1052424-NLA	NLA - Strap with Slide Release Buckle (22" Long)	1	6
6		1025765	Locknut (1/4-28)	1	4
7		1093511-NLA	NLA - Clamp (1")	1	2
8		1093385-NLA	NLA - Tray, Ventilator	1	1
9		1012172-NLA	NLA - Clamp, Saddle	1	1
10		1008495	Screw, Socket Button Head (1/4-20 x 1-1/2")	1	2
11		1088932	Screw, Socket Button Head (1/4-20 x 3/8")	1	2
12		1093386-NLA	NLA - Hanger, Battery Tray	1	1
13		See Chart	#13 Vent Tray Hanger	1	1
14		1093382-NLA	NLA - Hanger, Vent Tray - Right	1	1
14		1093383-NLA	NLA - Hanger, Vent Tray - Left	1	1
15		1025195	Locknut (1/4-20)	1	4
16		See Chart	#16 Vent Tray Assembly	1	1
17		1095747	Top, Battery Box	1	1
18		1057944	Battery Box Bottom with Strap, 22NF	1	1
	A,B	1093582-NLA	NLA - Instruction Sheet, Vent Tray	1	1

NOTE: A - Not Shown
 B - Item is no longer available from the Invacare Service Parts Department. Refer to the Invacare Website under "Product Literature Search". Enter the part number in the "Keywords" field and download a free PDF version copy.

#13 Vent Tray Hanger

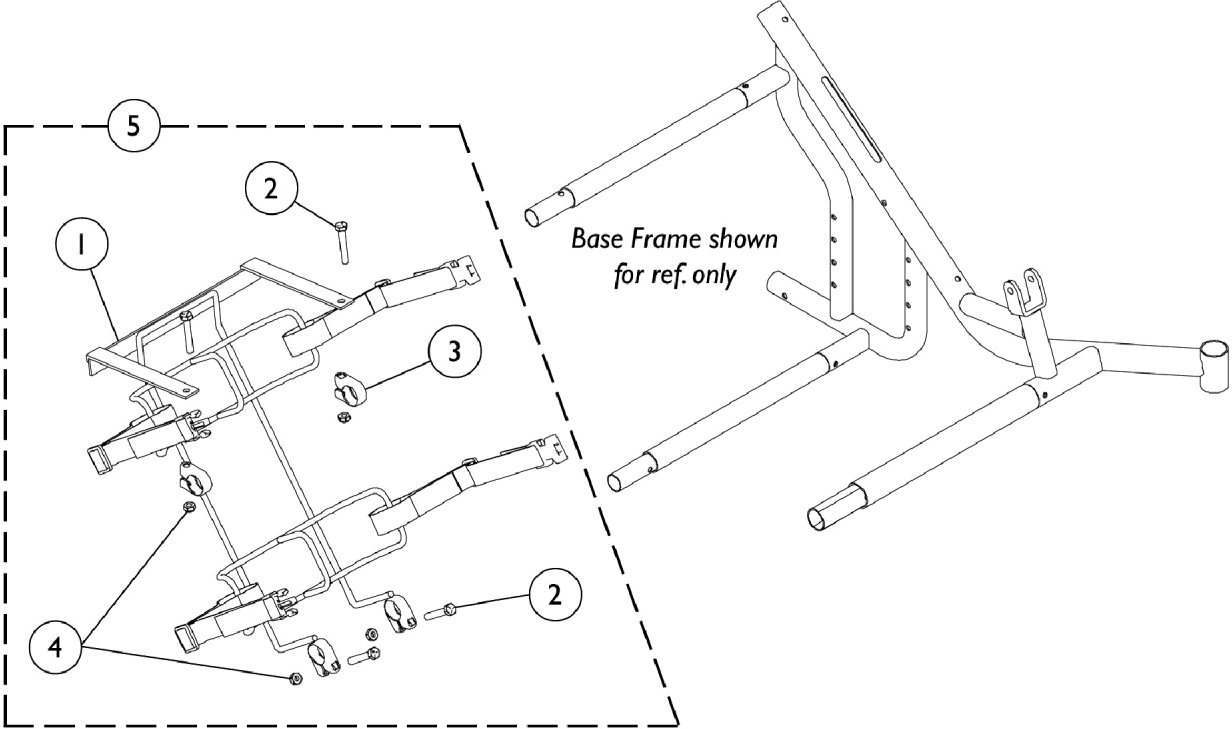
16" Wide	17" Wide	18" Wide	19" Wide	20" Wide	21" Wide	22" Wide
1093496-NLA	1093497-NLA	1093498-NLA	1093499-NLA	1093500-NLA	1093501-NLA	1093502-NLA

#16 Vent Tray Assembly

16" Wide	17" Wide	18" Wide	19" Wide	20" Wide	21" Wide	22" Wide
1093637-NLA	1093638-NLA	1093639-NLA	1093640-NLA	1093641-NLA	1093642-NLA	1093643-NLA

Includes items 1-15

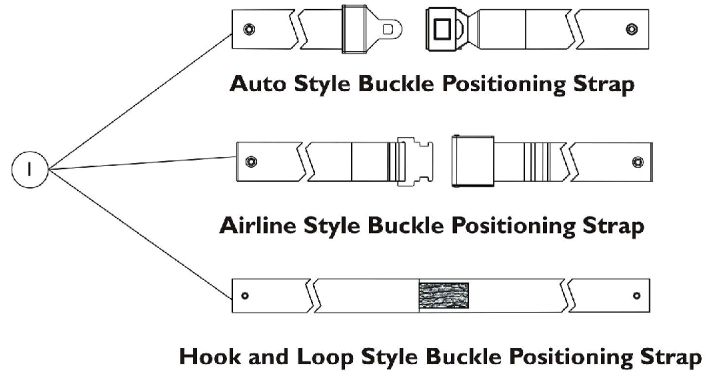
Oxygen Holder



Oxygen Holder

Item Number	Note	Part Number	Description	Quantity Per	
				Package	Assembly
1		1108517-NLA	NLA - Bracket, Oxygen Bottle Mounting	1	1
2		1044939-NLA	NLA - Screw, Hex Head (5/16-18 x 1-3/4")	1	4
3		1017470	Clamp, Tube (1")	1	2
4		1028769	Locknut (5/16-18)	1	4
5		1108550-NLA	NLA - Oxygen Holder Assembly w/ Instruction Sheet	1	1
	A,B	1110522-NLA	NLA - Instruction Sheet	1	1
NOTE: A - Not Shown B - Item is no longer available from the Invacare Service Parts Department. Refer to the Invacare Website under "Product Literature Search". Enter the part number in the "Keywords" field and download a free PDF version copy.					

Miscellaneous Accessories



Miscellaneous Accessories

Item Number	Note	Part Number	Description	Quantity Per	
				Package	Assembly
	H	1083094-NLA	NLA - Anti-Tipper	1	1
	A,H	1027644-NLA	NLA - Strap, Calf w/ Hook and Loop (26" L)	1	1
	B,H	1032243	Strap, Calf w/ Hook and Loop (36" L)	1	1
	A,H	1032214	H-Strap (24" L)	1	1
	C,H	1032003	Strap, "H" Heel	1	1
	D,H	1032002	Strap, "H" Heel	1	1
	E,H	1032001	Strap, "H" Heel	1	1
	H,I	1026987	Guard, Impact (8" L)	1	1
1	C	1102009	Strap, Positioning, Seat/Chest w/ Auto Style Buckle (Eyelet to Eyelet Length 35")	1	1
1	F	1004310	Strap, Positioning, Seat/Chest w/ Auto Style Push Button Buckle (Eyelet to Eyelet Length 48")	1	1
1	G	1034625	Strap, Positioning, Seat/Chest w/ Auto Style Push Button Buckle (Eyelet to Eyelet Length 61")	1	1
1	C	1102008	Strap, Positioning, Seat/Chest w/ Airline Style Buckle (Eyelet to Eyelet Length 35")	1	1
1	F	TAGTS1034751-NLA	NLA - Strap, Positioning, Seat/Chest w/ Airline Style Buckle (Eyelet to Eyelet Length 46")	1	1
1	G,J	1034752-NLA	NLA - Strap, Positioning, Seat/Chest w/ Airline Style Buckle (Eyelet to Eyelet Length 61")	1	1
1	C	1102007	Strap, Positioning, Seat/Chest w/ Hook & Loop Style Buckle (Eyelet to Eyelet Length 35")	1	1
1	F	1034744	Strap, Positioning, Seat/Chest w/ Hook and Loop Style Buckle (Eyelet to Eyelet Length 45")	1	1
1	G	1034745	Strap, Positioning, Seat/Chest w/ Hook and Loop Style Buckle (Eyelet to Eyelet Length 61")	1	1
	H	40176X010-NLA	NLA - Pump, Tire	1	1
	H	1038599	Wheel Lock Extension Handle Assembly, Black (6") (Pair)	2	1
<p>NOTE: A - 12-13" Wide chairs B - 14-22" Wide chairs C - 14-15" Wide chairs D - 16-18" Wide chairs E - 19-22" Wide chairs F - 14-19" Wide chairs G - 20-22" Wide chairs H - Not Shown I - For 70 deg. Tapered Footrest. J - 1034752 Airline Buckle Style is No Longer Available. Use Auto Style part number 1034625 as a replacement.</p>					

Invacare Corporation

www.invacare.com



Yes, you can.

One Invacare Way
Elyria, Oh USA
44036-2125
800-333-6900

Technical Support
800-832-4707
Customer Service
800-333-6900

Customer Service
800-333-6900

© 2022 Invacare Corporation. All rights reserved. Republication, duplication or modification in whole or in part is prohibited without prior written permission from Invacare. Trademarks are identified by TM and ©. All trademarks are owned by or licensed to Invacare Corporation or its subsidiaries unless otherwise noted. (Revised 11/9/22)

Form No. 99-128