

Medacure Limited Warranty

The MedaCure Bariatric Commode is guaranteed to be defect-free in materials and workmanship for one (1) year from the date of purchase.

Damages that are not covered by this warranty include defects due to misuse, abuse or negligence and normal wear and tear on the device. This warranty does not include or extend to non-durable components, (i.e., rubber accessories, casters, and grips), as they need periodic replacement due to normal wear.

For questions about your MedaCure device and/or the warranty, feel free to contact an authorized MedaCure dealer.



Innovative Healthcare Solutions

www.medacureinc.com



Innovative Healthcare Solutions

© 2020 MedaCure Inc. All rights reserved.
MedaCure is a registered trademark of Medacure Inc.
East Orange, NJ 07017. Made in China.

Bariatric Commode

Weight Capacity: 650 lbs.

Model # CB650



Innovative Healthcare Solutions

MedaCure Inc.
545 N. Arlington Avenue
East Orange, NJ 07017, USA
www.medacureinc.com

Assembly Instructions & Safety Precautions

1. If exposed to the cold, allow toilet seat and lid to come to room temperature before assembling to prevent cracks from forming in the seat and lid clamps during assembly.
2. Align the toilet seat clamps with the back frame rail so that both clamps sit outside the pail brackets. Apply pressure to the seat so that the clamps snap into place firmly.
3. Repeat the step 2 for the lid.
4. Always remove lid before the seat. Grasp the back of the seat and/or lid and lift to remove.
5. To install commode bucket, drop into bucket frame. Reverse to remove.

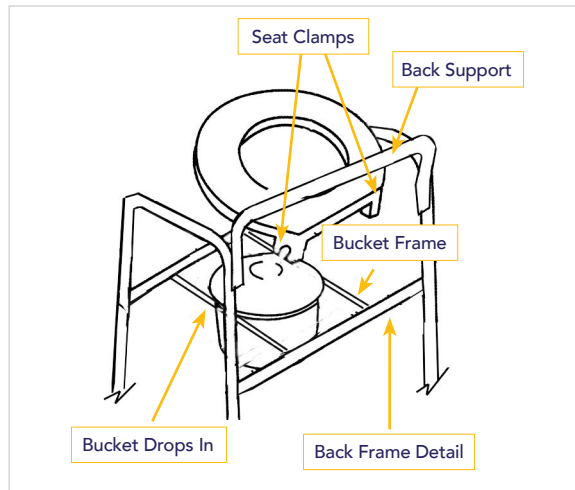


FIGURE #1

Adjusting Leg Height

1. Adjust height of legs to your specific needs before use, ensuring that all legs are at set to the same height. Lock legs into place by aligning buttons into proper holes (see figure 2).
2. Push down on or pull on legs to be ensure legs are locked into place.

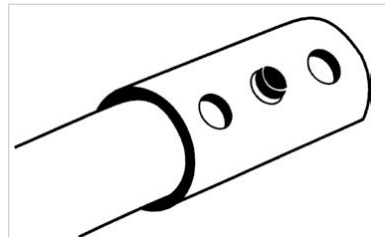


FIGURE #2

Safety and Warnings

1. Toilet seat must be in down position before use to avoid breakage of commode and possible injury.
2. Please read and understand this assembly and instruction sheet before installing commode. Contact a healthcare professional, dealer or technician before if you do not understand these instructions before attempting to install to avoid injury or damage.
3. Carefully review all parts for shipping damage prior to assembly. Do not use if there has been shipping damage. For further directions, contact dealer/carrier.
4. Be sure that the height adjusting snap buttons fully extend through the same respective hole of each leg extension to secure the leg extensions firmly position and a uniform height is set (see Figure 1).
5. Ensure ALL screws, nuts and/or bolts are fully tightened.
6. Inspect leg extension rubber tips for rips and wear and make sure none are missing. If rips or wear are found, immediately replace the tips.
7. Make sure all four leg extensions with rubber tips continuously touch the floor simultaneously.
8. Supervise or assist users with limited physical strength while using this product.
9. Arm supports should be used for assistance only. Arms should not be used to support full body weight.
10. Unlatch and drop arms to assist in user onto/off of the commode.