

first class chair support kit accessory

item# FC 8025N & FC 8025LN
(for use with item# FC 2000N & FC 4000N)

includes trunk harness,
abductor, & lateral supports

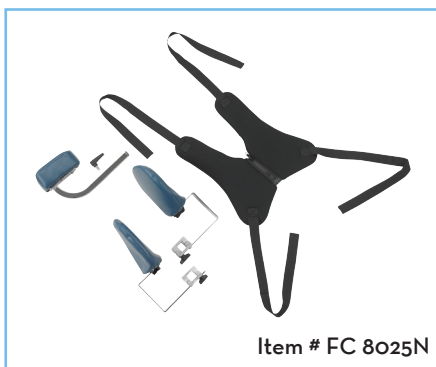


EU Authorized Representative
Drive Medical LTD
Ainley's Industrial Estate
Elland, West Yorkshire,
United Kingdom HX5 9JP

www.drivemedical.com

Wenzel^{ite}Re/habTM
drive

support kit accessory



trunk harness

1. Install 4 cam buckles (A) in back of chair. (figure 1)
2. Inset harness straps (B). (figure 2)

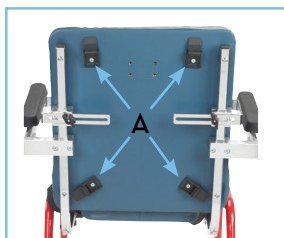


figure 1

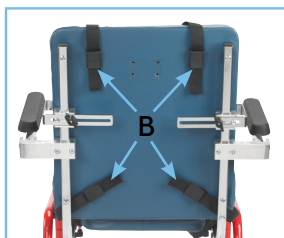


figure 2

abductor

1. Insert abductor as in figure 3.
2. Insert knob (C).



figure 3

lateral support

1. Remove bolt (D) and black spacer. (figure 4)
2. Loosen knob and screw (E) and slide over back mounting bracket.
3. Tighten screw a little, and the knob should be used when adjusting the height or width.

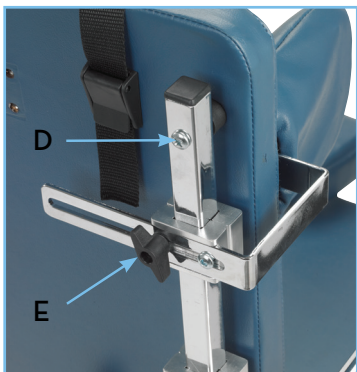


figure 4

adjustments

1. Trunk harness can be adjusted by opening cam buckles and moving the straps.
2. Laterals can be adjusted in height and width by loosening the knob, raising or lowering the bracket. Width adjustability can also be achieved by loosening the knob and changing the position of the sliding flat bracket.
3. Depth of the abductor can be adjusted by loosening knob and moving the bracket in or out.

limited two year warranty

Your Drive branded product is warrantied to be free of defects in materials and workmanship for two years from the date of purchase for the original consumer purchaser.

This device was built to exacting standards and carefully inspected prior to shipment. This Limited Two Year Warranty is an expression of our confidence in the materials and workmanship of our products and our assurance to the consumer of dependable service.

This warranty does not cover device failure due to owner misuse or negligence, or normal wear and tear. The warranty does not extend to non-durable components such as rubber accessories, casters, and grips, which are subject to normal wear and need periodic replacement.

If you have a question about your Drive device or this warranty, please contact an authorized Drive dealer.



© 2014 Medical Depot, Inc. All rights reserved.

Drive is a trademark of Medical Depot, Inc.

Port Washington N.Y. 11050 USA Made in China