

ICC - Bed CS3



Yes, you can.

Parts Catalog Usage Guide

The information contained in this document is subject to change without notice. This catalog contains service parts for Form No. 13-228. If you have any questions regarding this catalog, please contact one of our Customer Service Representatives.

**For Customer Service and Technical Support, Call:
1-800-668-2337**

**For Literature Requests, Call:
1-800-668-2337 or go to our website
www.invacare-cc.com**

SYMBOL DEFINITION

Throughout this catalog you will notice letters to draw your attention to specific footnotes which are located at the bottom of the page or below specified charts.

Examples:

A,B,C etc. = Special Comments
NOTE: = General information pertaining to that specific page
NLA = No Longer Available

HARDWARE MEASUREMENTS

The measurements for the hardware will be listed as follows:

Screws, Bolts Diameter X Thread Count/Pitch X Length
Washers Inside Diameter X Outside Diameter X Thickness
Spacers Inside Diameter X Outside Diameter X Length

For your convenience, we have supplied an area for you to list your Invacare Representatives.

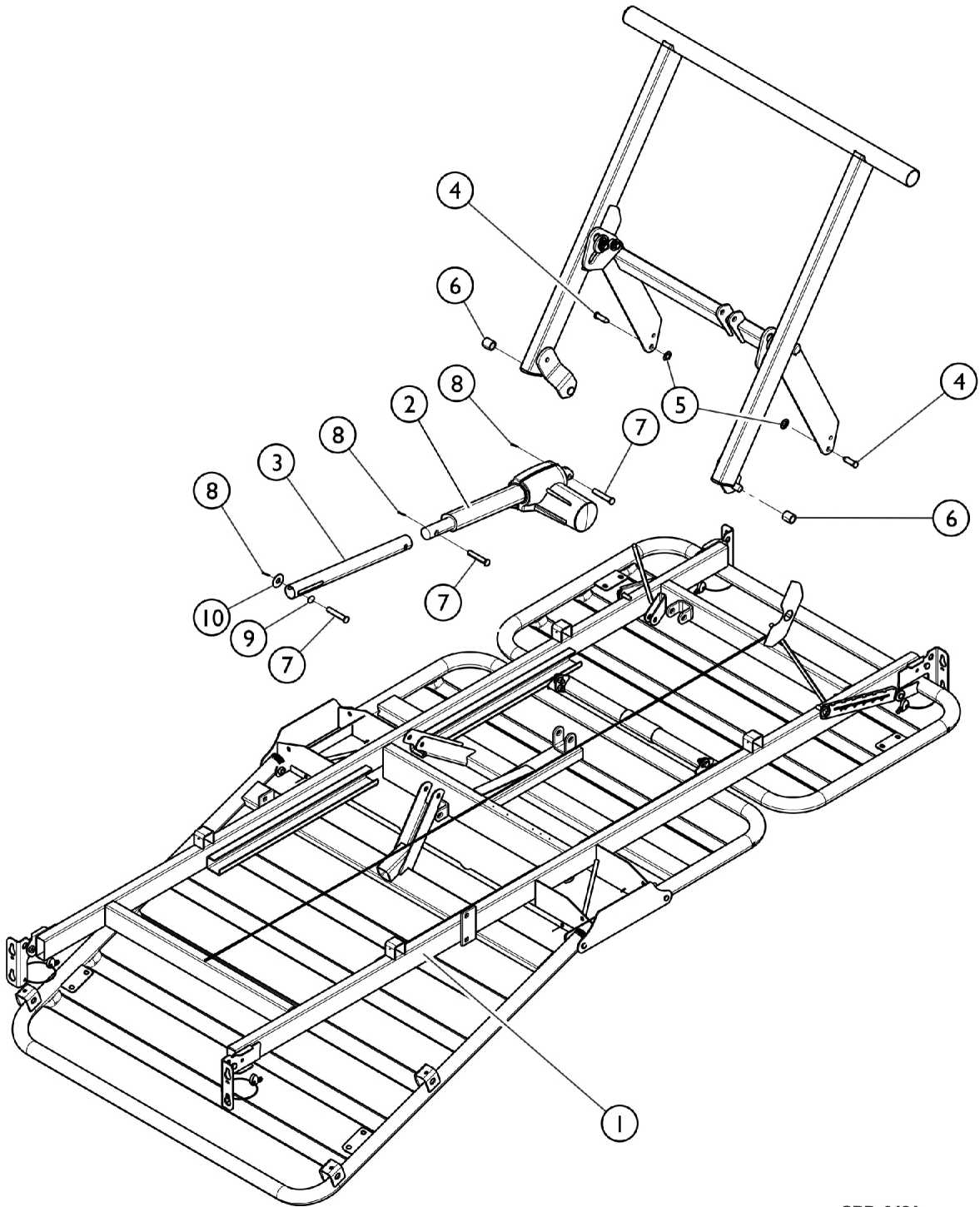
Name	Phone Numbers

© 2022 Invacare Corporation. All rights reserved. Republication, duplication or modification in whole or in part is prohibited without prior written permission from Invacare. Trademarks are identified by ™ and ®. All trademarks are owned by or licensed to Invacare Corporation or its subsidiaries unless otherwise noted.

TABLE of CONTENTS

Description	Page Number
01. Bed Frame	3
02. Frame Deck Assembly	5
03. Leg Link Assembly Components	7
04. Electrical Components	9
05. Wire Assembly	11
06. Assist Bar	13
07. Assist Rail	15
08. Assist Bar and Rail Hardware	17
09. Positional Devices	19
10. Partial Rail	21
11. Headboard and Footboard	23
12. Footboard - ACP without Trendelenburg Feature	25
13. Headboard and Footboard Hardware	27
14. Miscellaneous Accessories - Extensions and Hangers	29
15. Miscellaneous Options - Decks and Wireforms	30
16. Miscellaneous Electronics - Battery and Actuators	31
17. Miscellaneous Electronics	33
18. Bed Transporter	35

Bed Frame

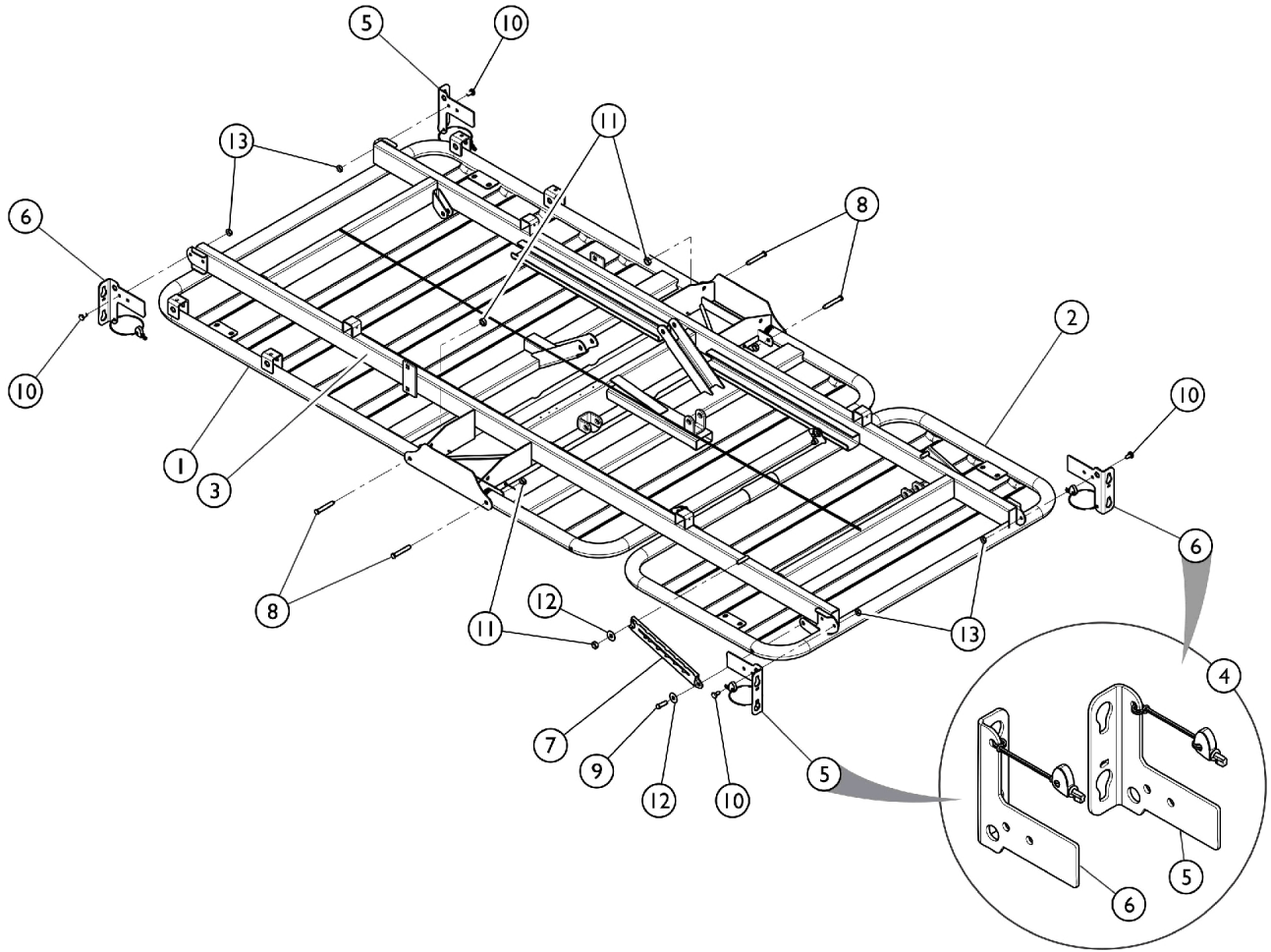


SBP_042A

Bed Frame

Item Number	Note	Part Number	Description	Quantity Per	
				Package	Assembly
1		1149706-NLA	NLA - Frame, Bed	1	1
2		1147532	Actuator, Foot (LA27-U042-01)	1	1
3		1149695	Extension Tube, Motor - Foot	1	1
4		1147524-NLA	NLA - Clevis Pin, Leg Link	1	3
5		1147566	Nut, Push (3/8")	1	4
6		1144984-NLA	NLA - Bushing, Glide - White	1	4
7		1186864	Clevis Pin (3/8 x 2" L)	1	3
8		PINBOW38-NLA	NLA - Cotter Pin, Bowtie (3/8")	1	3
9		1186872-NLA	NLA - Spacer, Foot Motor Extension Tube, Plastic	1	1
10		1186857-NLA	NLA - Washer, Nylon (3/8 x 3/4 x 1/16")	1	4

Frame Deck Assembly



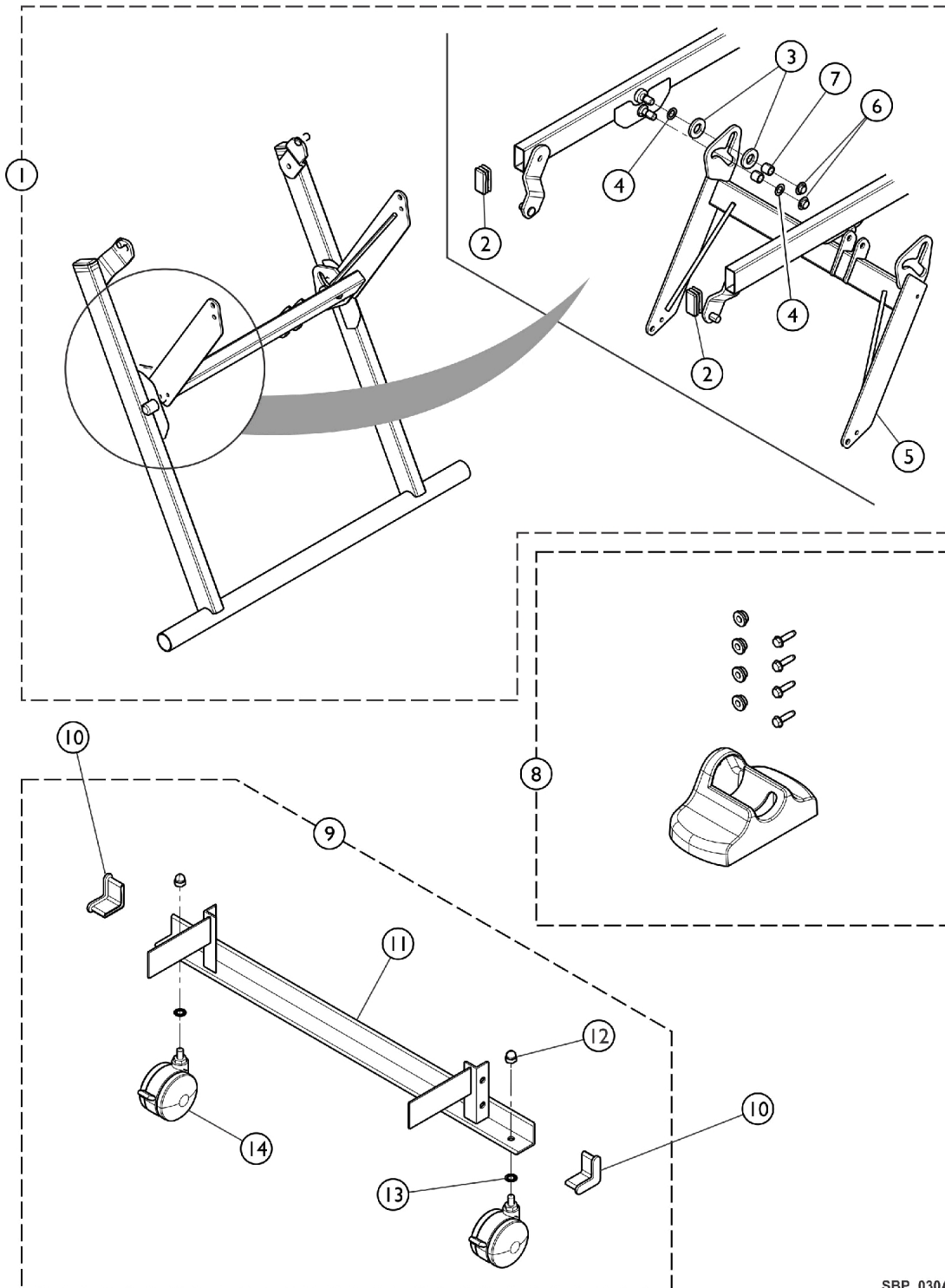
SBP_044A

Frame Deck Assembly

Item Number	Note	Part Number	Description	Quantity Per	
				Package	Assembly
1		1158933	Head Section, Bed (36" W)	1	1
1		1165156	Head Section, Bed (39" W)	1	1
1		1165158	Head Section, Bed (42" W)	1	1
2	C	1157351	Foot and Thigh Section, Bed (36" W)	1	1
2	A	1165160	Foot and Thigh Section, Bed (39" W)	1	1
2	A	1165162	Foot and Thigh Section, Bed (42" W)	1	1
3		1149706-NLA	NLA - Frame, Bed	1	1
4	B	1159596	Kit, Bracket, Bed End - Foot (Pair)	1	2
5			Bracket, Bed End, Adjustable, Foot - Right	1	1
6			Bracket, Bed End, Adjustable, Foot - Left	1	1
5		1159590	Bracket, Bed End, Adjustable, Foot - Right	1	2
6		1159591	Bracket, Bed End, Adjustable, Foot - Left	1	2
7		1153762	Link, Knee Lift	1	2
8		1147565	Clevis Pin, Deck to Frame (36" W)	1	4
8		1165153	Kit, Deck Hardware (39" W)	1	1
8		1165154	Kit, Deck Hardware (42" W)	1	1
9		PIN51634-NLA	NLA - Pin, Clevis (5/16" x 3/4")	1	2
10		1186877-NLA	NLA - Bolt, Attachment (1/4-20)	1	4
11		1186909-NLA	NLA - Nut, Push (5/16)	1	5
12		1186857-NLA	NLA - Washer, Nylon (3/8 x 3/4 x 1/16")	1	2
13		1186860-NLA	NLA - Lock Nut, Purple Insert (1/4-20)	1	4

NOTE: A - Sent together with (6) NUT516PN.
 B - For Beds built prior to 5/2008, use 1159596 as their replacement. See category "Head and Foot Boards" to order corrects Head and Footboards.
 C - Sent together with Screws (4), Nuts (4), and Washers (2).

Leg Link Assembly Components



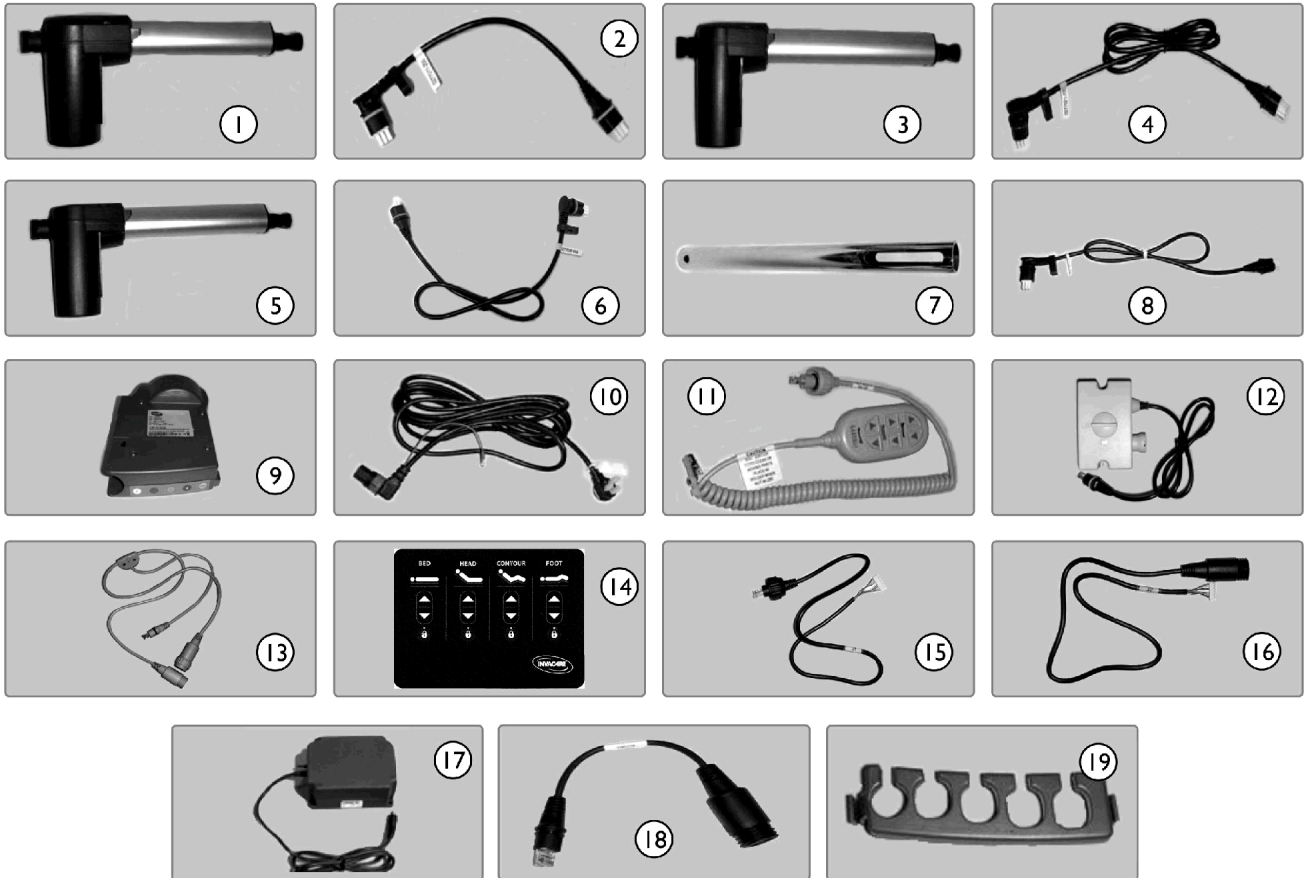
SBP_030A

Leg Link Assembly Components

Item Number	Note	Part Number	Description	Quantity Per	
				Package	Assembly
1	A	1147534	Leg and Link Assembly	1	1
2		1186878-NLA	NLA - Plug, Universal (1" x 2" - PLG-1-2-14)	1	2
3		1147541	Washer, Flat - Nylon	1	2
4		1147612-NLA	NLA - Washer, Flat - Plain	1	2
5		1149704-NLA	NLA - Link, Stabilizer	1	1
6		1147519-NLA	NLA - Nut, Push	1	2
7		1145036-NLA	NLA - Bushing, Cam - Steel	1	2
8		1153739	Foot Stabilizer w/ Hardware	4	16
9	B	1156547-NLA	NLA - Caster Bracket Assembly, Bed	1	1
10		1156558-NLA	NLA - Cap, Angle Iron (1-1/2 x 1-1/2 x 11 ga.)	1	4
11		1156543	Caster Bracket, Bed	1	2
12		1147523-NLA	NLA - Nut, Acorn	1	2
13		1152559	Washer, Lock, Internal Tooth	1	2
14		1147527	Caster, Locking (3")	1	2

NOTE: A - Includes items 2 - 7.
B - Includes items 11 - 14.

Electrical Components



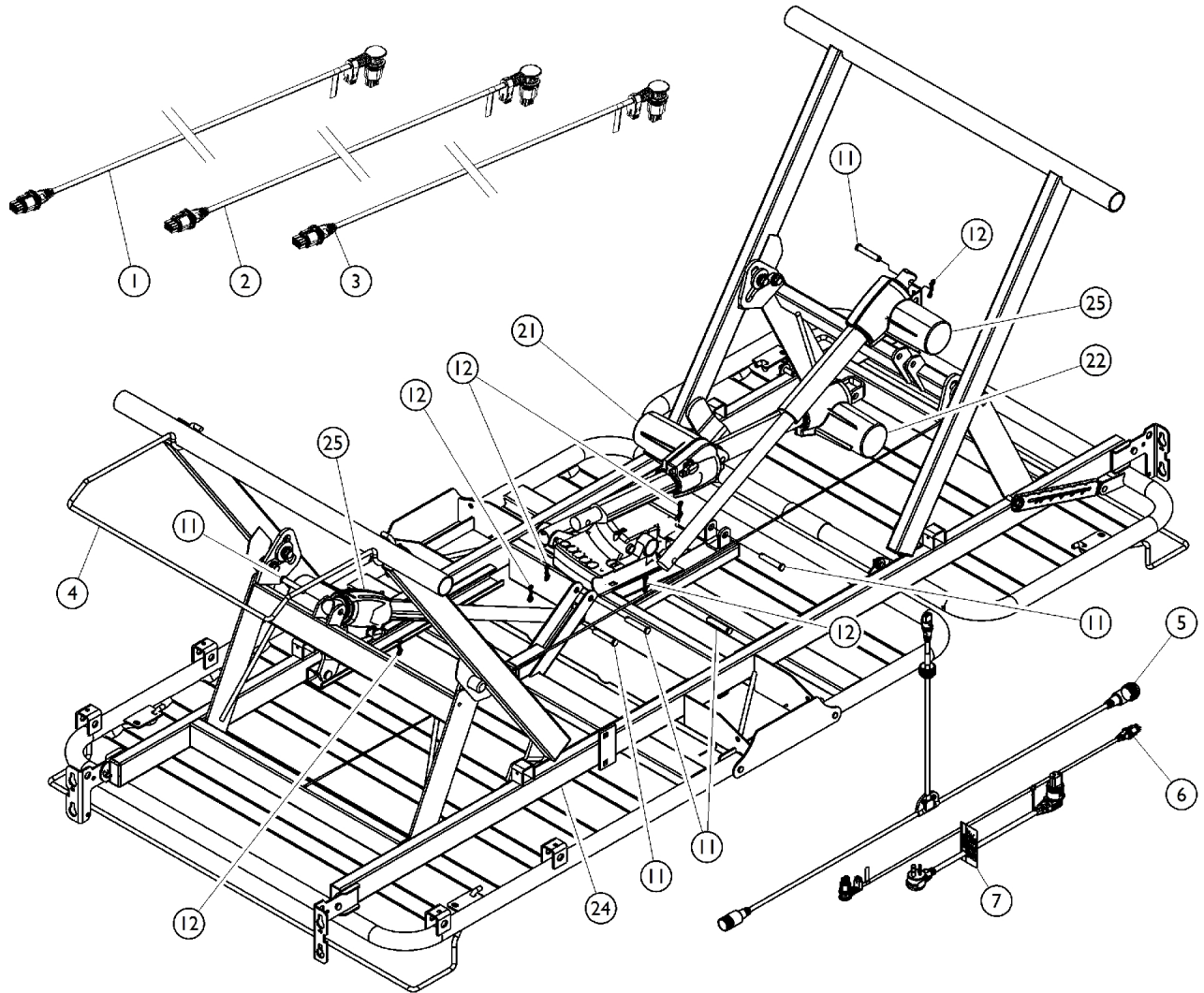
SBP_029B

Electrical Components

Item Number	Note	Part Number	Description	Quantity Per	
				Package	Assembly
1		1159613	Actuator, Head (LA27-U041-01)	1	1
2		1116641	Cable, Head Actuator w/ Blue O-Ring	1	1
3		1147532	Actuator, Foot (LA27-U042-01)	1	1
4		1116642	Cable, Foot Actuator w/ Yellow O-Ring	1	1
5		1153740	Actuator, Hi/Lo - CS3 (LA27-U060-XX)	1	2
6		1116640	Cable, Hi-Lo Motor w/ Red O-Ring (Head End)	1	1
7		1149695	Extension Tube, Motor - Foot	1	1
8		1147601	Cable, Hi/Lo Motor w/ Black O-Ring (Foot End)	1	1
9		1159601	Control Box, 120 Volts (CB6038-XX)	1	1
10		1165079	Power Cord	1	1
11		1158391	Pendant (PNDNT-6FNC-I-2)	1	1
12		1157344	Box, Lockout, Neeco-Tron	1	1
13	A	1158433	Cable, T, w/o Footboard Staff Control (Standard)	1	1
14		1156571	Membrane, 151, CS3/5 (No Contour)	1	1
15		1151720	Cable, Inboard Male - J1	1	1
16		1151721	Cable, Inboard Female - J2	1	1
17		1152564	Battery, On Board Backup w/ Hardware	1	1
18		1151719	Pendant Crossover Cable	1	1
19		1116655	Lock, Cable	1	1

NOTE: A - Requires (2) T-Cables for Lock Out Box and Membrane.

Wire Assembly

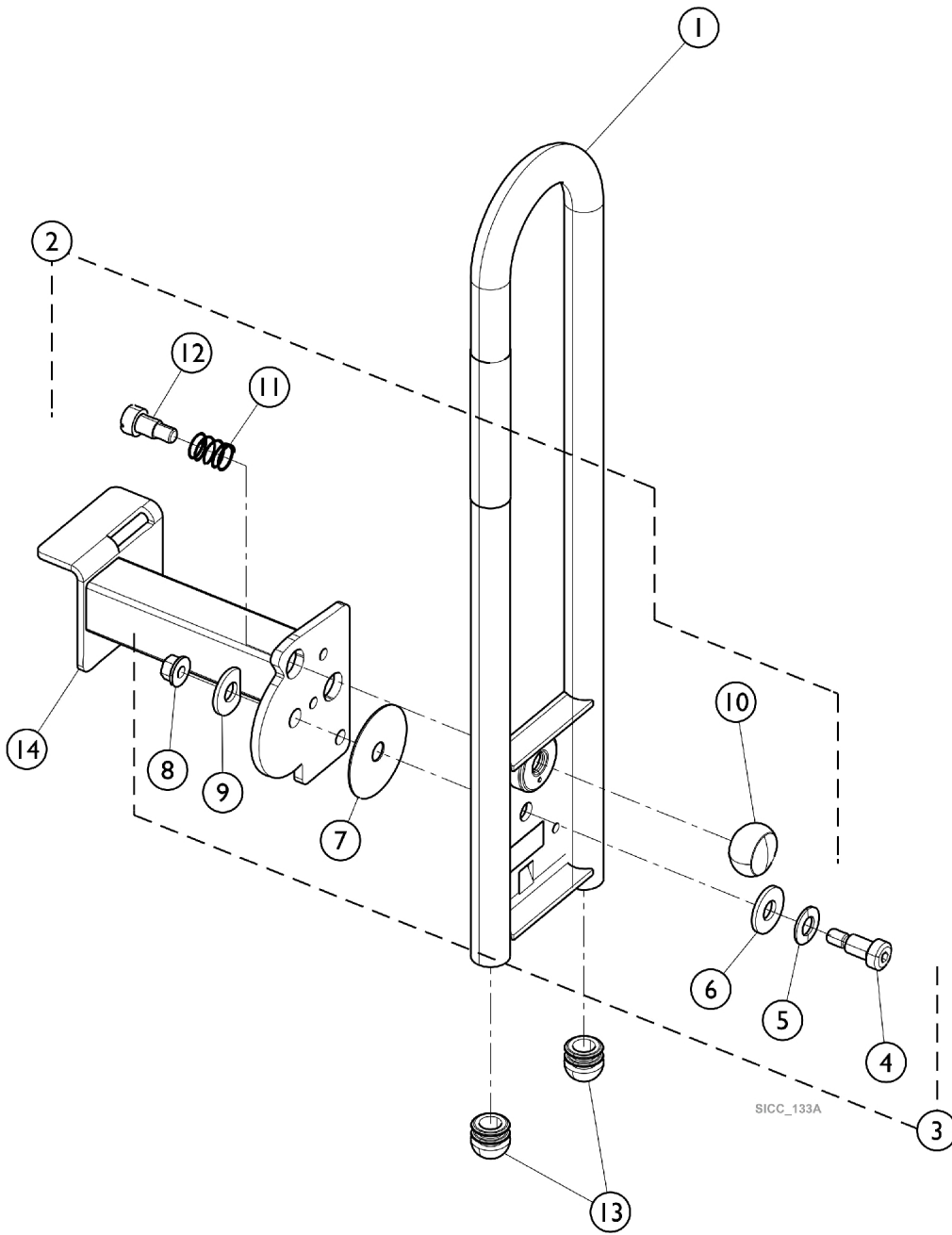


Wire Assembly

Item Number	Note	Part Number	Description	Quantity Per	
				Package	Assembly
1		1116640	Cable, Hi-Lo Motor w/ Red O-Ring (Head End)	1	1
2		1116641	Cable, Head Actuator w/ Blue O-Ring	1	1
3		1116642	Cable, Foot Actuator w/ Yellow O-Ring	1	1
4		1152550	Wall Bumper Standard	1	1
5	A	1158433	Cable, T, w/o Footboard Staff Control (Standard)	1	1
6		1147601	Cable, Hi/Lo Motor w/ Black O-Ring (Foot End)	1	1
7		1165079	Power Cord	1	1
11		1186864	Clevis Pin (3/8 x 2" L)	1	6
12		PINBOW38-NLA	NLA - Cotter Pin, Bowtie (3/8")	1	6
21		1159613	Actuator, Head (LA27-U041-01)	1	1
22		1147532	Actuator, Foot (LA27-U042-01)	1	1
24		1149706	NLA - Frame, Bed	1	1
25	B	1153740	Actuator, Hi/Lo - CS3 (LA27-U060-XX)	1	1
		1186883-NLA	NLA - Wrap, Tie (8")	1	12

NOTE: A - Use (2) T-Cables required if using Footboard Staff Control.
 B - Not shown in illustration.

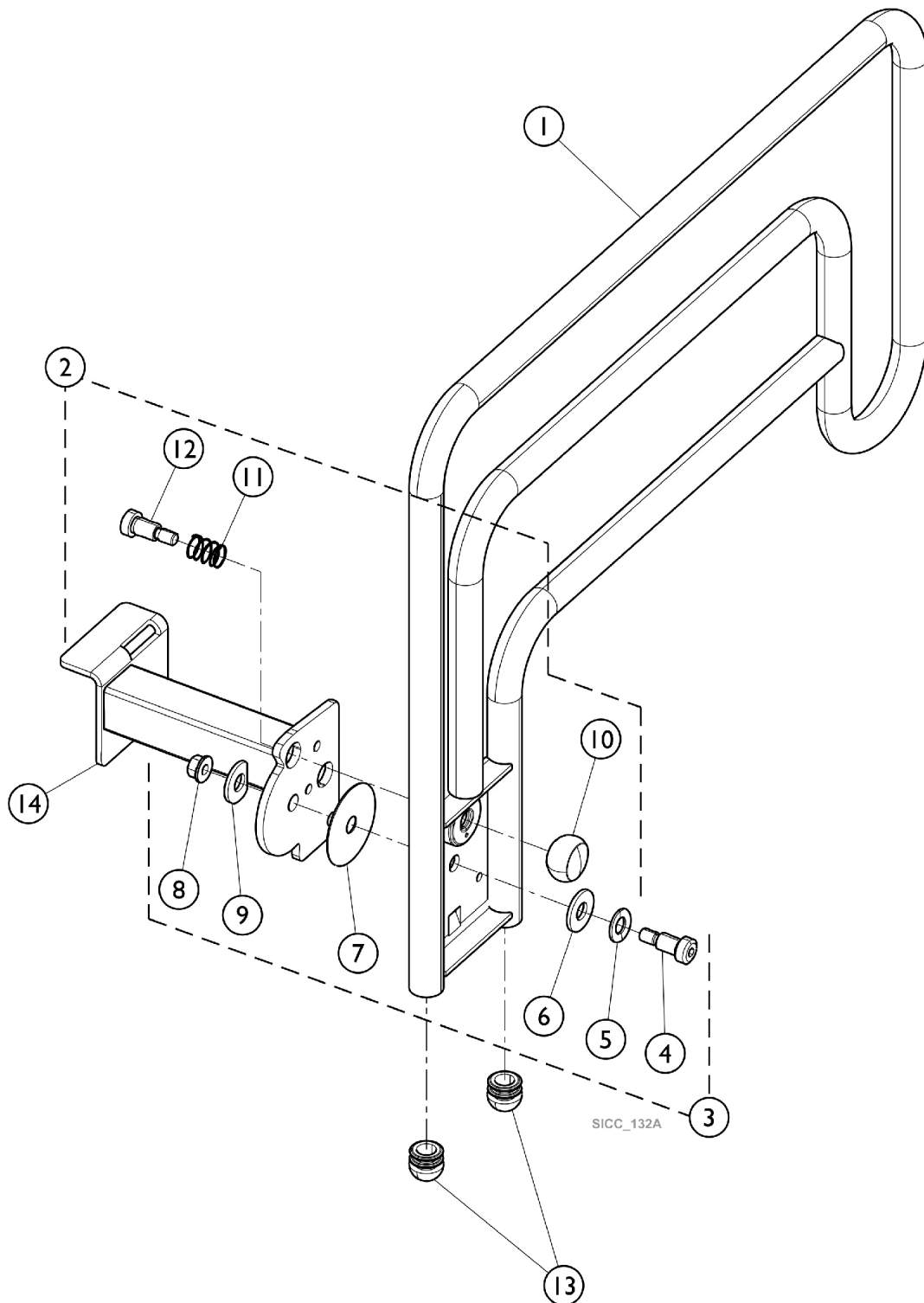
Assist Bar



Assist Bar

Item Number	Note	Part Number	Description	Quantity Per	
				Package	Assembly
1	A	IHCSBAAS-QSP	Assist Bar Assembly (36") (Pair)	1	1
1	A	IHCSBAAS-39	Assist Bar Assembly (39") (Pair)	1	1
1	A	IHCSBAAS-42	Assist Bar Assembly (42") (Pair)	1	1
2	B	1189259	Kit, Knob - Latch	1	1
			Knob, LATCH-0002 (3/8-16 x 1-3/8")	1	1
			Spring, Compression (3/4 x 1 x 3/64")	1	1
			Screw, Shoulder Slotted Head (1/2 x 1/2", 3/8-16)	1	1
3	C	1189260	Kit, Assist Rail Mounting	1	1
			Bolt, Shoulder (3/8-16 x 3/4")	1	1
			Washer, Belleville (33/64 x 1-1/64 x 3/32")	1	1
			Washer, Flat Edge (17-32 x 1-1/4 x 1/8")	1	1
			Washer, Nylon (33/64 x 2-1/2 x 3/64")	1	1
			Locknut (3/8-16)	1	1
			Washer, Plain (17/32 x 1-1/4 x 1/8")	1	1
11		1186856	Spring, Compression (3/4 x 1 x 3/64")	1	2
13		1165068	Package, End Plug	10	1
NOTE: A - Includes items 2-14 Right and Left Assist Bar Assemblies. B - Includes items 10, 11, and 12. C - Includes items 4 - 9.					
Item #14 highlighted in the illustration is non-saleable. Order Item #1 Assist Bar Assemblies.					

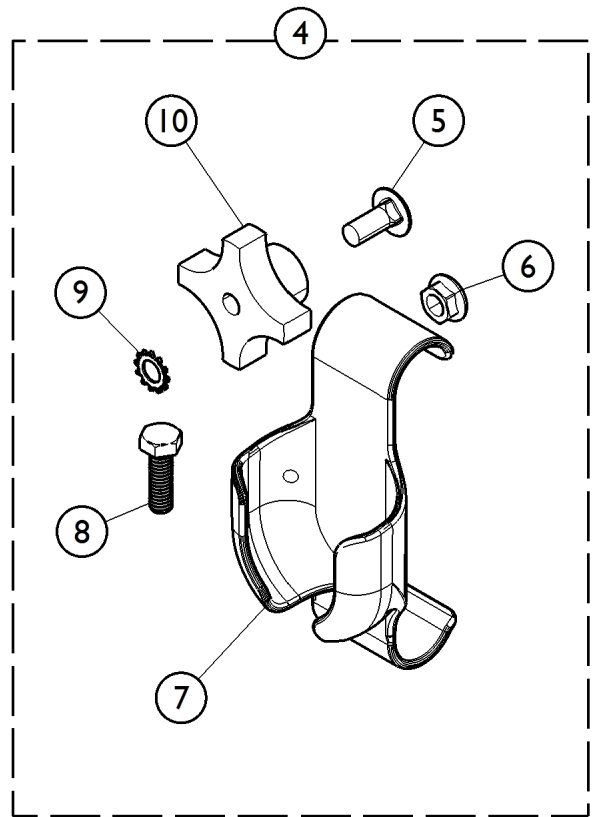
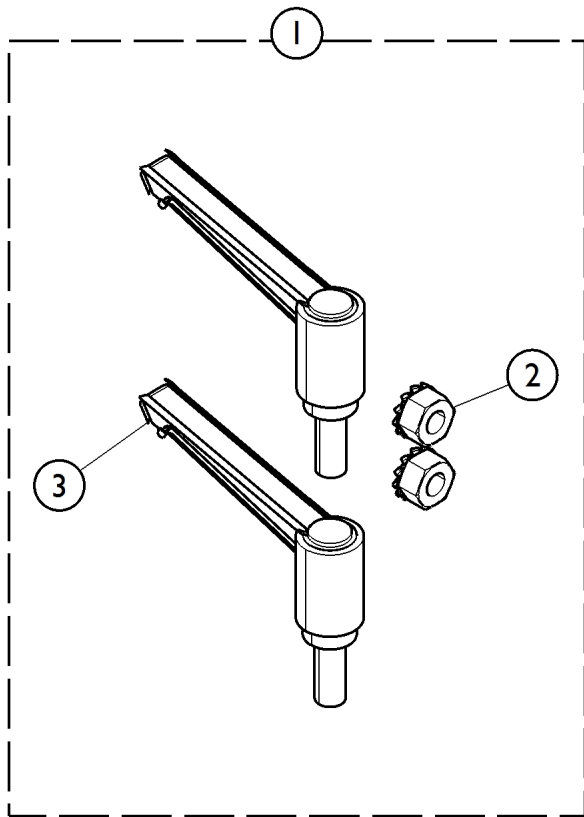
Assist Rail



Assist Rail

Item Number	Note	Part Number	Description	Quantity Per	
				Package	Assembly
1	A	IHCSRLAS-QSP	Assist Rail Assembly (36") (Pair)	1	1
1	A	IHCSRLAS-39	Assist Rail Assembly (39") (Pair)	1	1
1	A	IHCSRLAS-42	Assist Rail Assembly (42") (Pair)	1	1
2	B	1189259	Kit, Knob - Latch	1	1
			Knob, LATCH-0002 (3/8-16 x 1-3/8")	1	1
			Spring, Compression (3/4 x 1 x 3/64")	1	1
			Screw, Shoulder Slotted Head (1/2 x 1/2", 3/8-16)	1	1
3	C	1189260	Kit, Assist Rail Mounting	1	1
			Bolt, Shoulder (3/8-16 x 3/4")	1	1
			Washer, Belleville (33/64 x 1-1/64 x 3/32")	1	1
			Washer, Flat Edge (17-32 x 1-1/4 x 1/8")	1	1
			Washer, Nylon (33/64 x 2-1/2 x 3/64")	1	1
			Locknut (3/8-16)	1	1
			Washer, Plain (17/32 x 1-1/4 x 1/8")	1	1
11		1186856	Spring, Compression (3/4 x 1 x 3/64")	1	2
13		1165068	Package, End Plug	10	2
NOTE: A - Includes items 2-14 Right and Left Assist Rail Assemblies. B - Includes items 10, 11, and 12. C - Includes items 4 - 9.					
Item #14 highlighted in the illustration is non-saleable. Order Item #1 Assist Rail Assemblies.					

Assist Bar and Rail Hardware

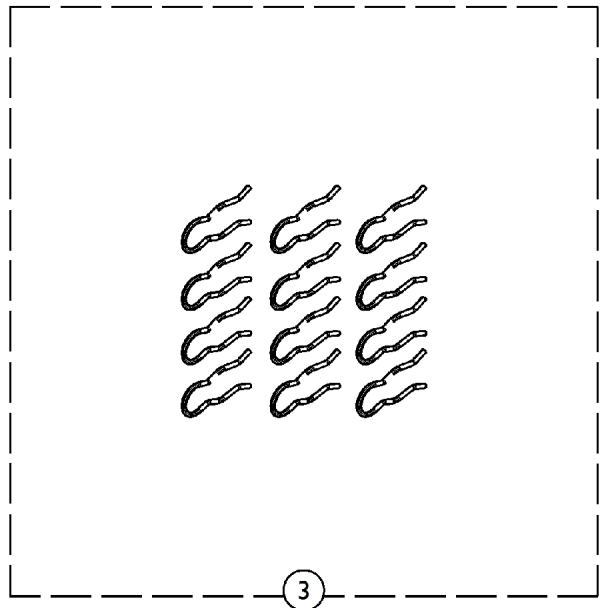
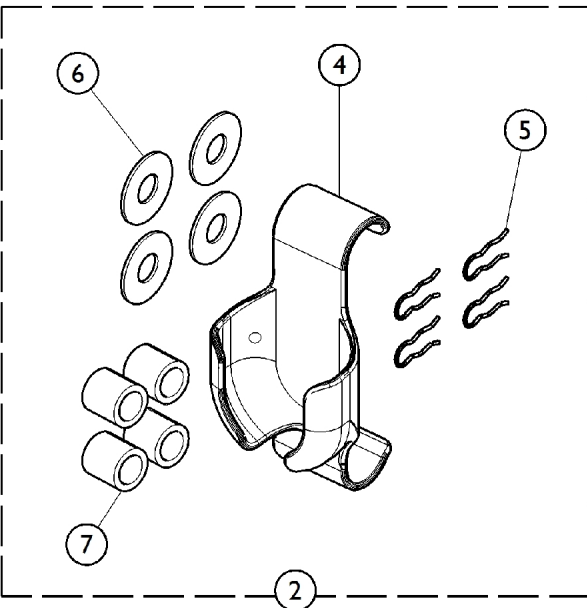
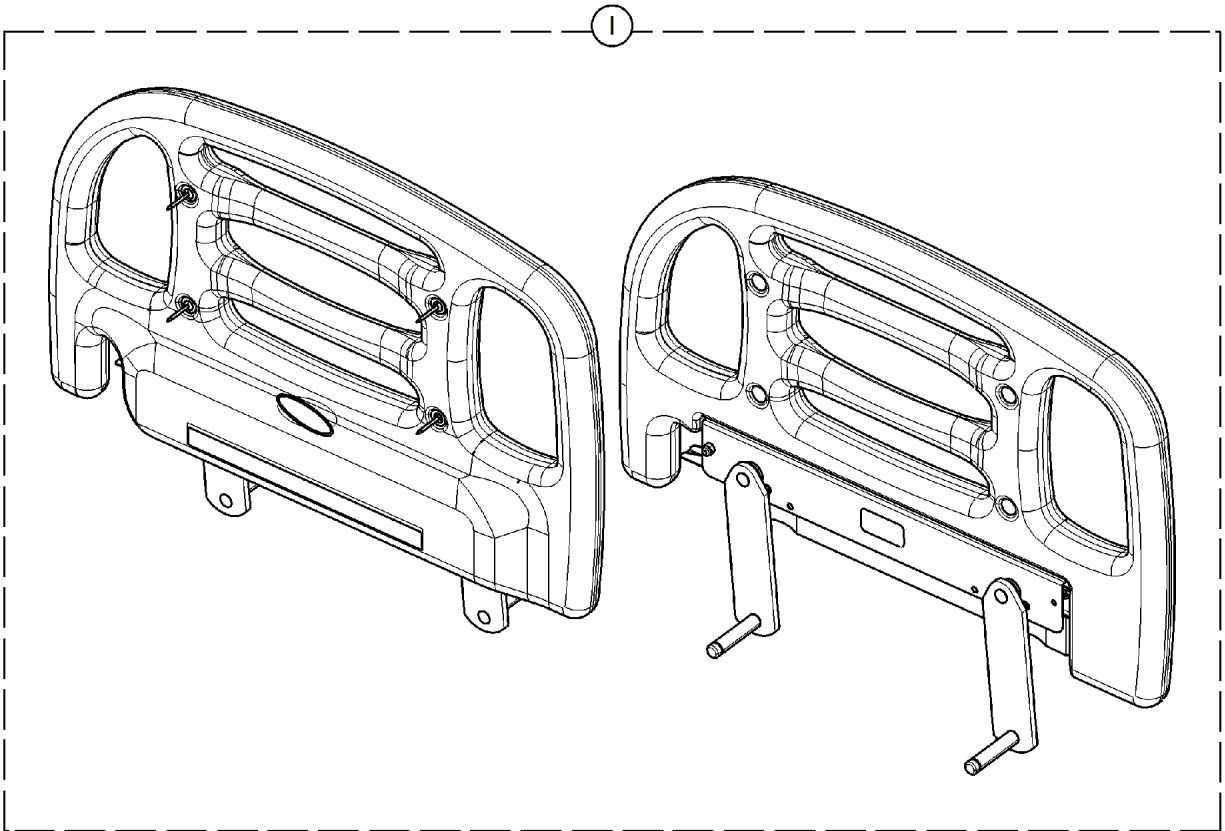


Assist Bar and Rail Hardware

Item Number	Note	Part Number	Description	Quantity Per	
				Package	Assembly
1	A	1153370-NLA	Kit, Assist Bar/Rail Mounting Hardware	1	1
2			NLA - Nut, Hex Keps (5/16-18)	2	1
3			NLA - Handle, Clamping	2	1
4	B	1159610	Kit, Assist Bar Mounting Hardware	1	1
5			Screw, Round Head, Square Neck (5/16-18 x 3/4")	1	2
6			Nut, Hex Head, Flange (5/16-18)	1	2
7			Holster, Pendant	1	1
8			Bolt, Hex Head (5/16-18 x 1")	1	2
9			Lock Washer, External Tooth (5/16)	1	2
10			Knob, Phenolic (5/16-18)	1	2
			Loop (1" x 3")	1	1
			Label, Caution, Operation, AB French	1	2
			Instruction Sheet, Assist Bar	1	1
4	B	1153764	Kit, Assist Rail Mounting Hardware	1	1
5			Screw, Round Head, Square Neck (5/16-18 x 3/4")	1	2
6			Nut, Hex Head, Flange (5/16-18)	1	2
7			Holster, Pendant	1	1
8			Bolt, Hex Head (5/16-18 x 1")	1	2
9			Lock Washer, External Tooth (5/16)	1	2
10			Knob, Phenolic (5/16-18)	1	2
			Instruction Sheet, Assist Rail	1	1
7		1186847	Holster, Pendant	1	1

NOTE: A - Used prior to September 9, 2009.
B - Used as of September 9, 2009.

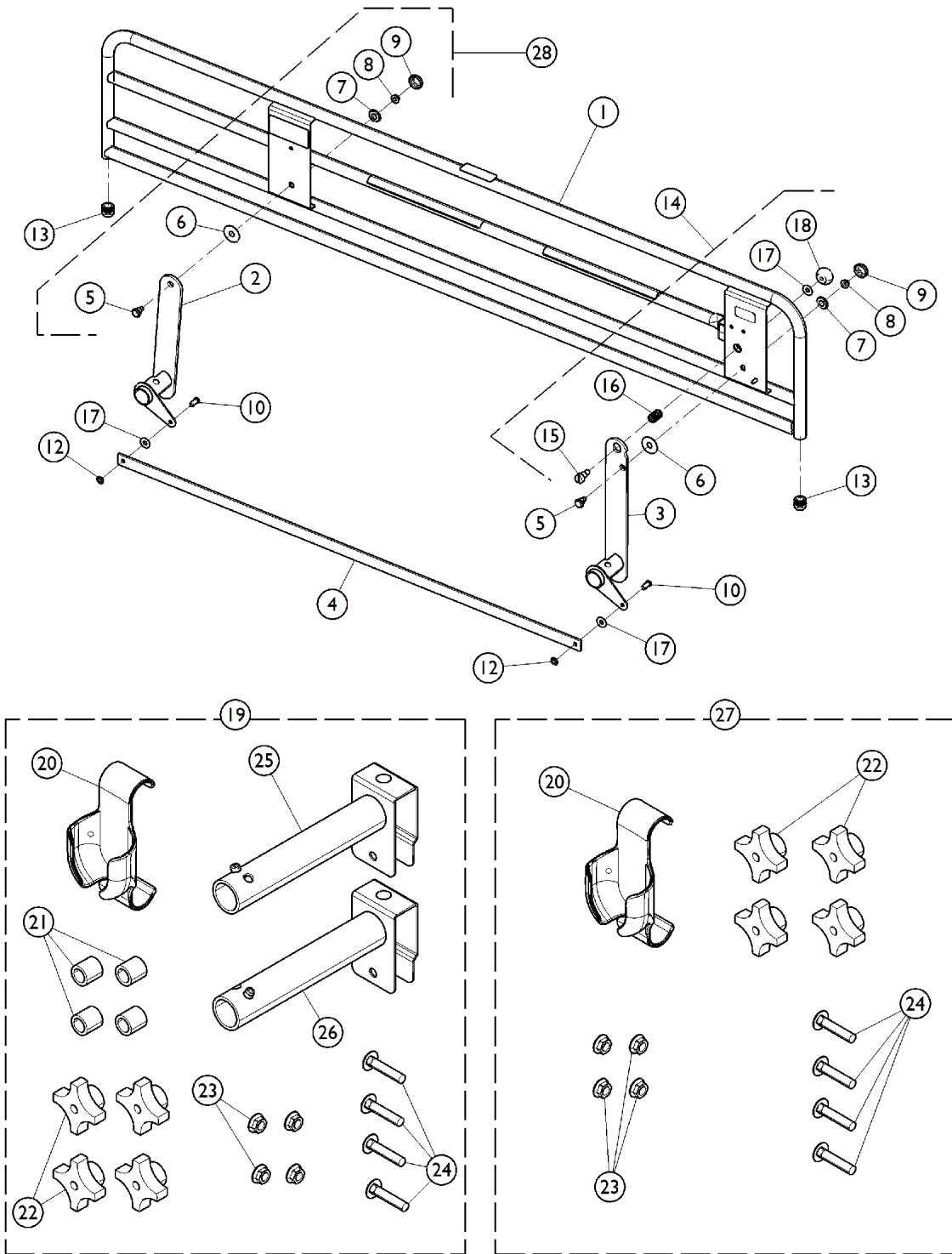
Positional Devices



Positional Devices

Item Number	Note	Part Number	Description	Quantity Per	
				Package	Assembly
1	A	IHCSTSPD-QSP	Head Positioning Rails (Pair)	1	1
1		1158933	Head Section, Bed (36" W)	1	1
2	B	1161869	Kit, Head Positioning Hardware	1	1
4			Holster, Pendant	1	1
5			Pin, Retaining	4	1
6			Washer, Flat (1.250" x .516" x .062)	4	1
7			NLA - Bushing, Glide - White	4	1
			Instruction Sheet, Thinksoft PD	1	1
			Label, Warning, Entrapment and Crush	2	1
3		1165069	Package, Retaining Clip	12	1
4		1186847	Holster, Pendant	1	1
NOTE: A - For beds built prior to February 5, 2009, you must also order 1158933. B - Includes Pendant Holster, Bushing, Washer, and Retaining Pin.					

Partial Rail

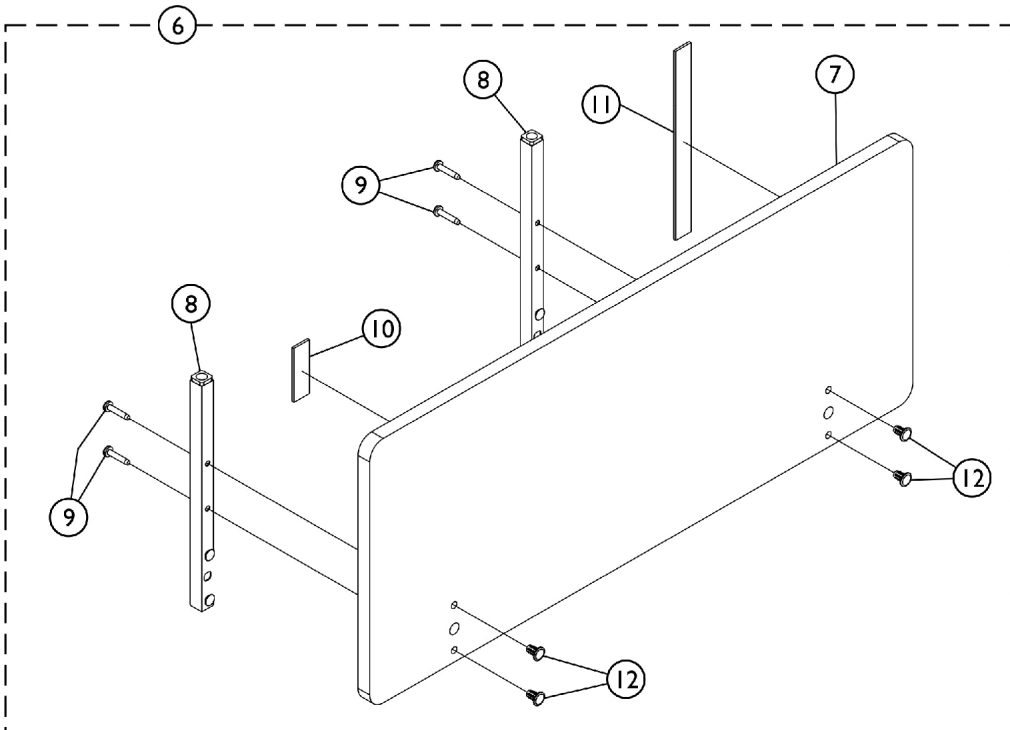
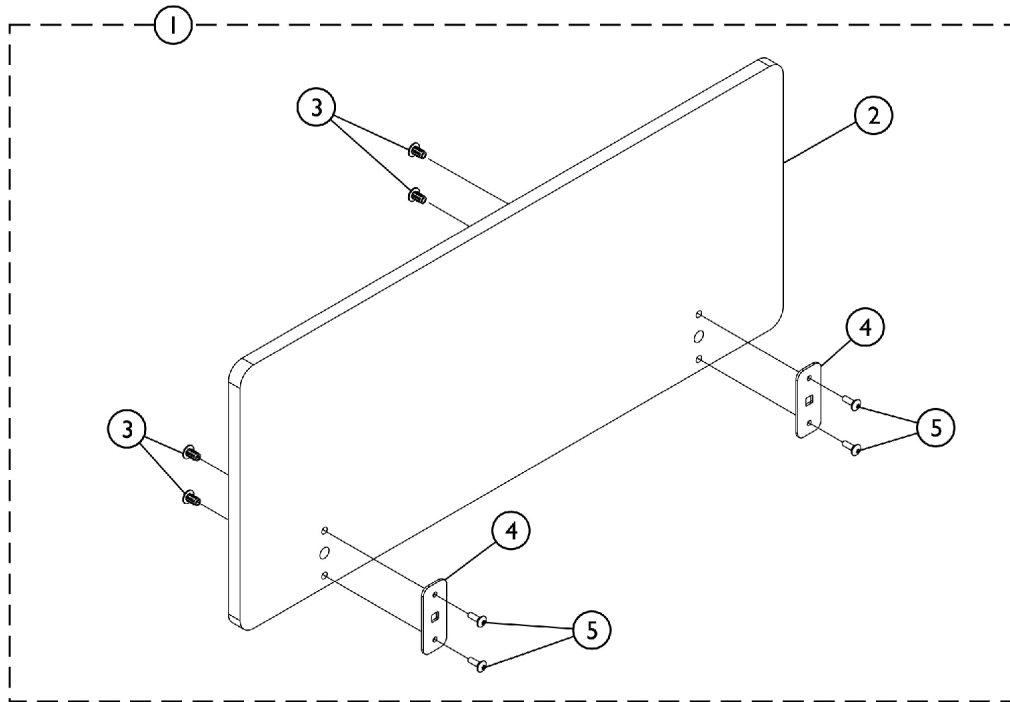


Partial Rail

Item Number	Note	Part Number	Description	Quantity Per	
				Package	Assembly
1		IHCSRLPA	68" Partial Rail Assembly (Pair)	1	1
1		1153600	Rail, Partial - Left (68")	1	1
1		1153601	Rail, Partial - Right (68")	1	1
2		1153590-NLA	NLA - Arm, Rail, Head End - Left	1	1
2		1153591-NLA	NLA - Arm, Rail, Head End - Right	1	1
3		1153588-NLA	NLA - Arm, Rail, Foot End - Left	1	1
3		1153589-NLA	NLA - Arm, Rail, Foot End - Right	1	1
4		1153595-NLA	NLA - Bar, Linkage - Partial Rail	1	1
28	A	1189261	Kit, Rail Mounting Hardware	1	1
			Pin, Rail (5/16-18)	1	4
			Washer, Nylon (33/64 x 1-29/64 x 3/64")	1	4
			Washer, Retaining (11/32 x 1-3/32 x 3/64")	1	4
			NLA - Nut, Hex Head, Flange (5/16-18)	1	4
			Cap, Bearing	1	4
10		PIN51634-NLA	NLA - Pin, Clevis (5/16" x 3/4")	1	2
12		NUT516N-NLA	NLA - Nut, Push (5/16-18)	1	2
13		1165068	Package, End Plug	10	1
14		1189259	Kit, Knob - Latch	1	1
			Screw, Shoulder Slotted Head (1/2 x 1/2", 3/8-16)	1	1
			Spring, Compression (3/4 x 1 x 3/64")	1	1
			Knob, LATCH-0002 (3/8-16 x 1-3/8")	1	1
16		1186856	Spring, Compression (3/4 x 1 x 3/64")	1	1
19		1153610	Kit, Rail Hardware	1	1
20			Holster, Pendant	1	1
21			NLA - Bushing, Glide - White	4	1
22			Knob, Phenolic (5/16-18)	4	1
23			Nut, Hex Head, Flange (5/16-18)	4	1
24			Screw, Round Head Square Neck (5/16-18 x 1-1/2")	4	1
25			Bracket, Mounting, Rail - Right	1	1
26			Bracket, Mounting, Rail - Left	1	1
			Instruction Sheet, Rail Installation	1	1
			Guide, Bed Rail Entrapment Risk Notification	1	1
20		1186847	Holster, Pendant	1	1
27		1153768	Kit, Rail Hardware w/o Mounting Rails	1	1
20			Holster, Pendant	1	1
22			Knob, Phenolic (5/16-18)	4	1
23			Nut, Hex Head, Flange (5/16-18)	4	1
24			Screw, Round Head Square Neck (5/16-18 x 1-1/2")	4	1
			Instruction Sheet, Rail Installation	1	1
			Guide, Bed Rail Entrapment Risk Notification	1	1

NOTE: A - Kit includes items 5 - 9. Includes hardware for both Head End and Foot End Arm Rails.

Headboard and Footboard

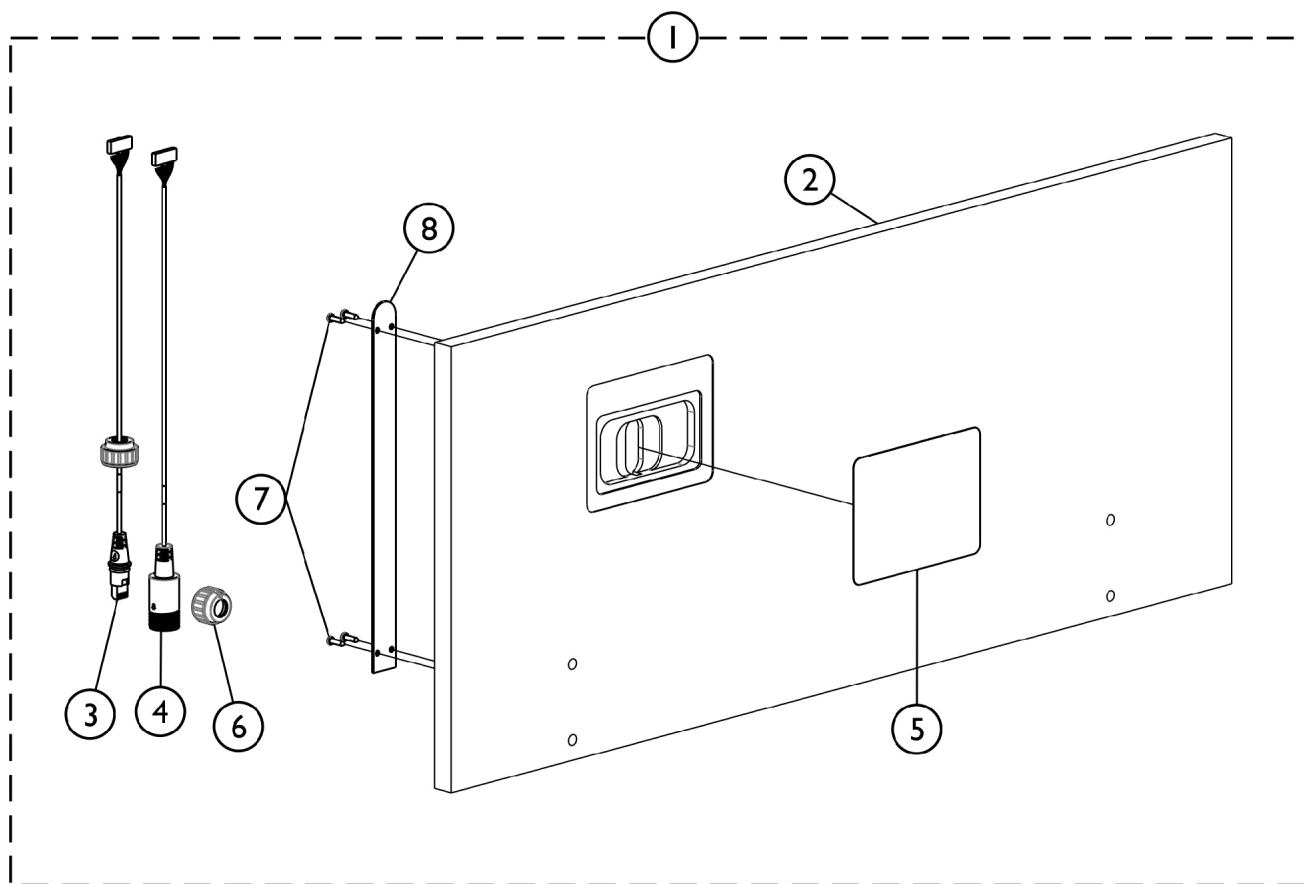


SICC_I05A

Headboard and Footboard

Item Number	Note	Part Number	Description	Quantity Per	
				Package	Assembly
1	A	1154448	Footboard Assembly Hardware, CS Service	1	1
2			Footboard, CS Service	1	1
3			Insert, Nut (1/4-20 x 3/4")	1	4
4			NLA - Bracket, Foot Board, Post	1	2
5			NLA - Screw, Shoulder, Torx® TR HD (1/4-20 x 3/4)	1	4
6	B	1154447	Headboard Assembly Hardware, CS Service	1	1
7			Footboard, CS Service	1	1
8			Post, Head Board	1	2
9			Screw, Machine, Pan Head (14-20 x 1-1/2")	1	4
10			Hook, PNDNT-V-Hook (1 x 3")	1	1
11			Strap, Cord Power PNDNT-V-Cord	1	1
12			Insert, Nut (1/4-20 x 3/4")	1	4
NOTE: A - Includes items 2-5 B - Includes items 7-12 For Beds built prior to September 5th, 2008, Contact Customer Service.					

Footboard - ACP without Trendelenburg Feature

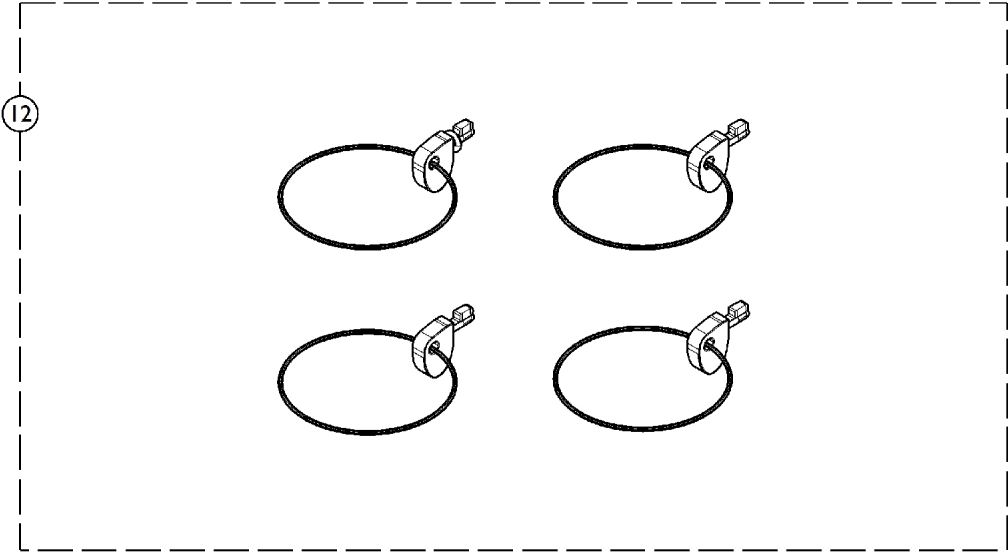
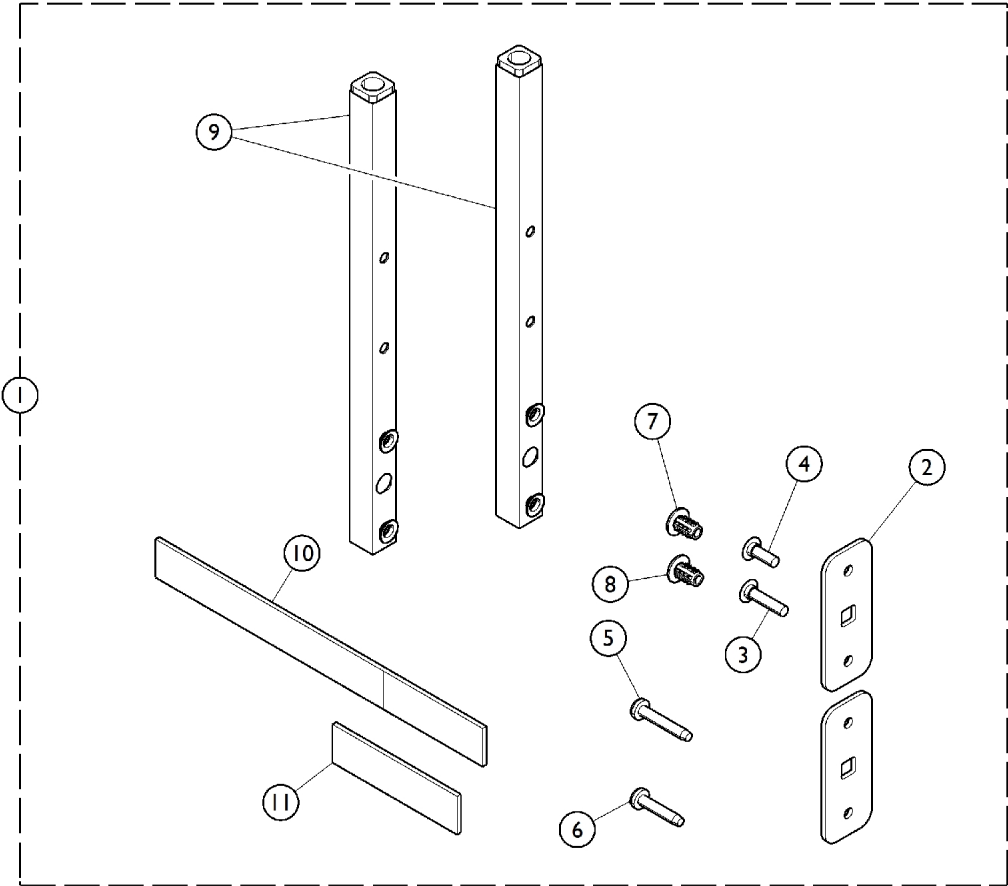


SICC_106A

Footboard - ACP without Trendelenburg Feature

Item Number	Note	Part Number	Description	Quantity Per	
				Package	Assembly
1	A	1156529	ACP without Trend Assembly, CS3/CS5 Service	1	1
2			Footboard w/ ACP	1	1
3			Cable, Inboard Male - J1	1	1
4			Cable, Inboard Female - J2	1	1
5			Membrane, 151, CS3/5 (No Contour)	1	1
6			NLA - Nut, Split (M24 x 3)	1	1
7			Screw, Pan Head w/ Square Socket (#6-18 x 39/64")	1	1
8			Plate, Cover ACP	1	1
NOTE: A - Includes items 2-8					
For Beds built prior to September 5th, 2008, Contact Customer Service.					

Headboard and Footboard Hardware

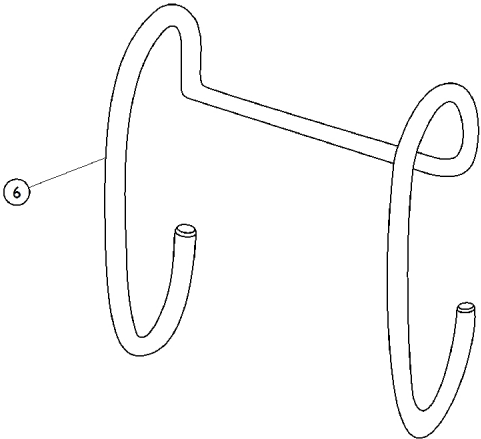
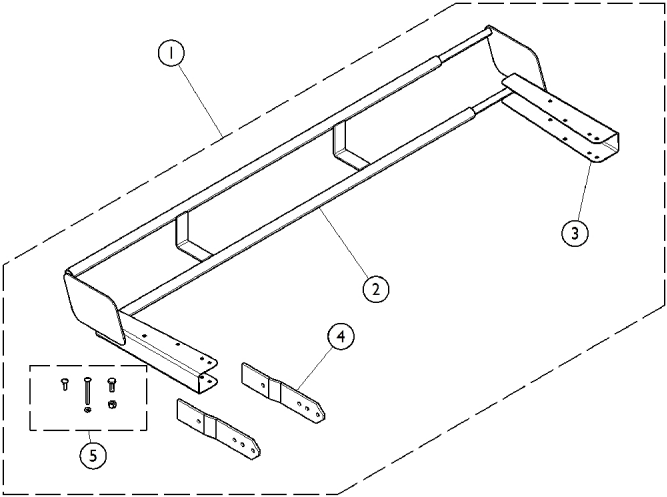


Headboard and Footboard Hardware

Item Number	Note	Part Number	Description	Quantity Per	
				Package	Assembly
1	A	1159650	Kit, Head/Foot Board Mounting Hardware	1	1
2			NLA - Bracket, Foot Board, Post	2	1
3			Screw, Shoulder, Torx® TR HD (1/4-20 x 1-1/8)	4	1
4			NLA - Screw, Shoulder, Torx® TR HD (1/4-20 x 3/4)	4	1
5			Screw, Machine, Pan Head (14-20 x 1-1/2")	4	1
6			Screw, Drive, Torx® (1/4-20 x 1-1/4")	4	1
7			NLA - Nut, Insert, Zinc Coated	8	1
8			NLA - Nut, Insert, Bronze Coated	8	1
9			Post, Head Board	2	1
10			Strap, Cord, Power	1	1
11			Hook Material Strip, Beige (1" W x 3" L)	1	1
			Instruction Sheet, Headboard and Footboard	1	1
			Bag, Poly	1	1
12		1156522	Bed End Bracket Key	4	1

NOTE: A - Kit includes items 2 - 11.

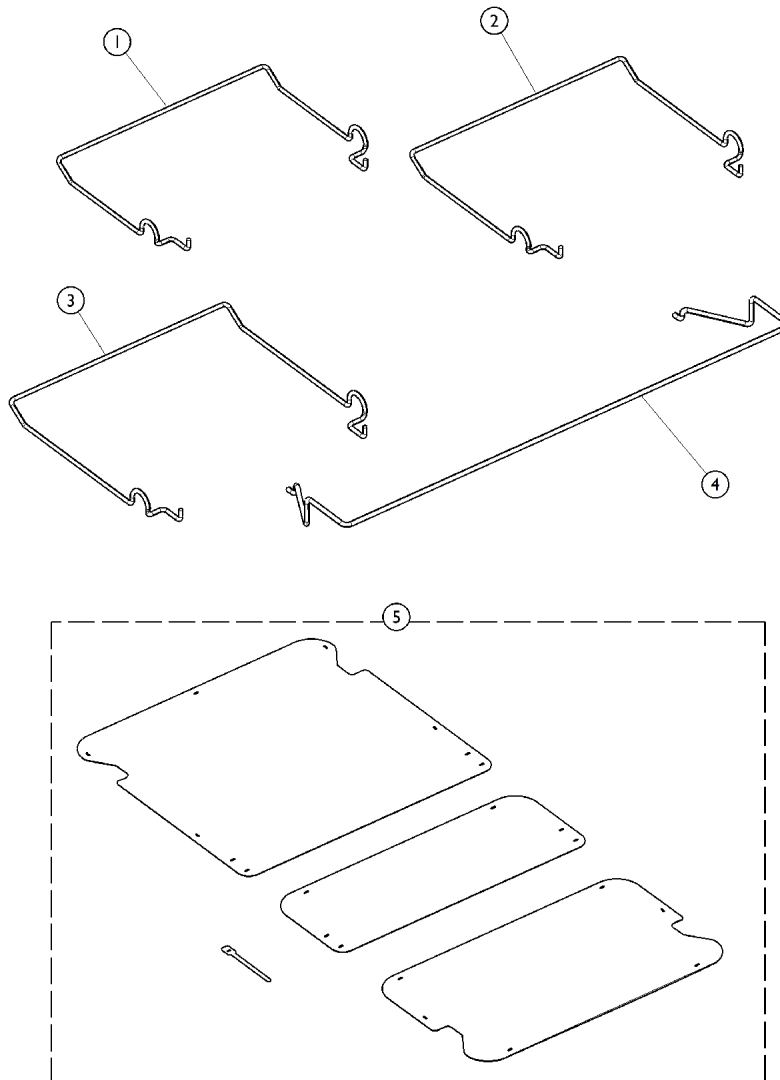
Miscellaneous Accessories - Extensions and Hangers



Item Number	Note	Part Number	Description	Quantity Per	
				Package	Assembly
1	A	IHCSBEK	Four Inch Extension Kit	1	1
6		IHCSDB-NLA	NLA - Drainage Bag Holder	1	1

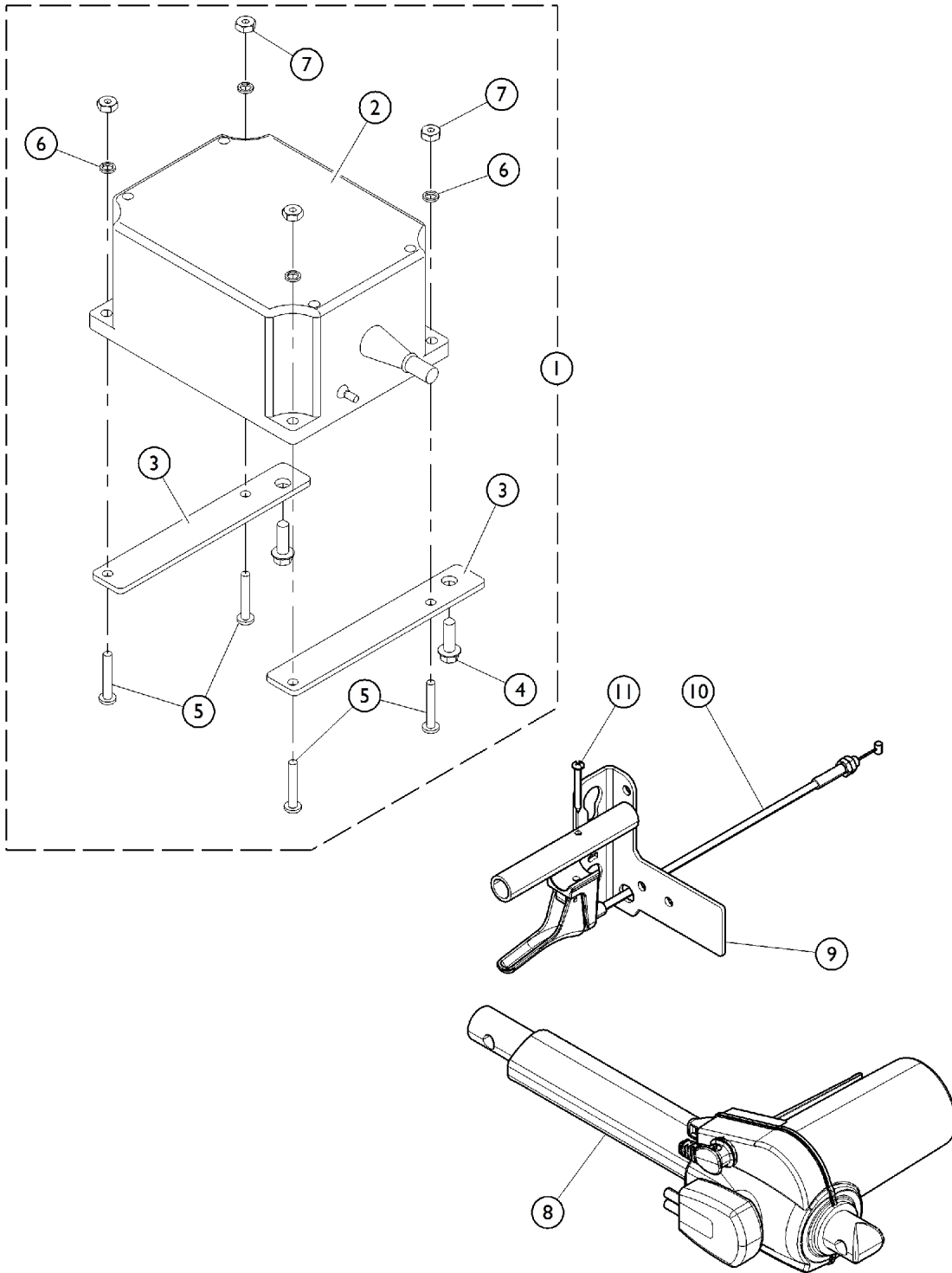
NOTE: A - Kit includes items 2 - 5. Drawing reference for Model IHCSBEK is 1153769 and User Manual is 1190544.

Miscellaneous Options - Decks and Wireforms



Item Number	Note	Part Number	Description	Quantity Per	
				Package	Assembly
1		1152550	Wall Bumper Standard	1	1
2		IHCSWBL	Wall Bumper Long	1	1
3		1157339-NLA	NLA - Wireform, Custom - 80" (15-15/16")	1	1
4		1152549	Keeper, Mattress (36" W)	1	1
4		1159576	Keeper, Mattress (42" W)	1	1
4		1159606-NLA	NLA - Keeper, Mattress (39" W)	1	1
5		1153380-NLA	NLA - Aftermarket Pan Deck Kit	1	1

Miscellaneous Electronics - Battery and Actuators

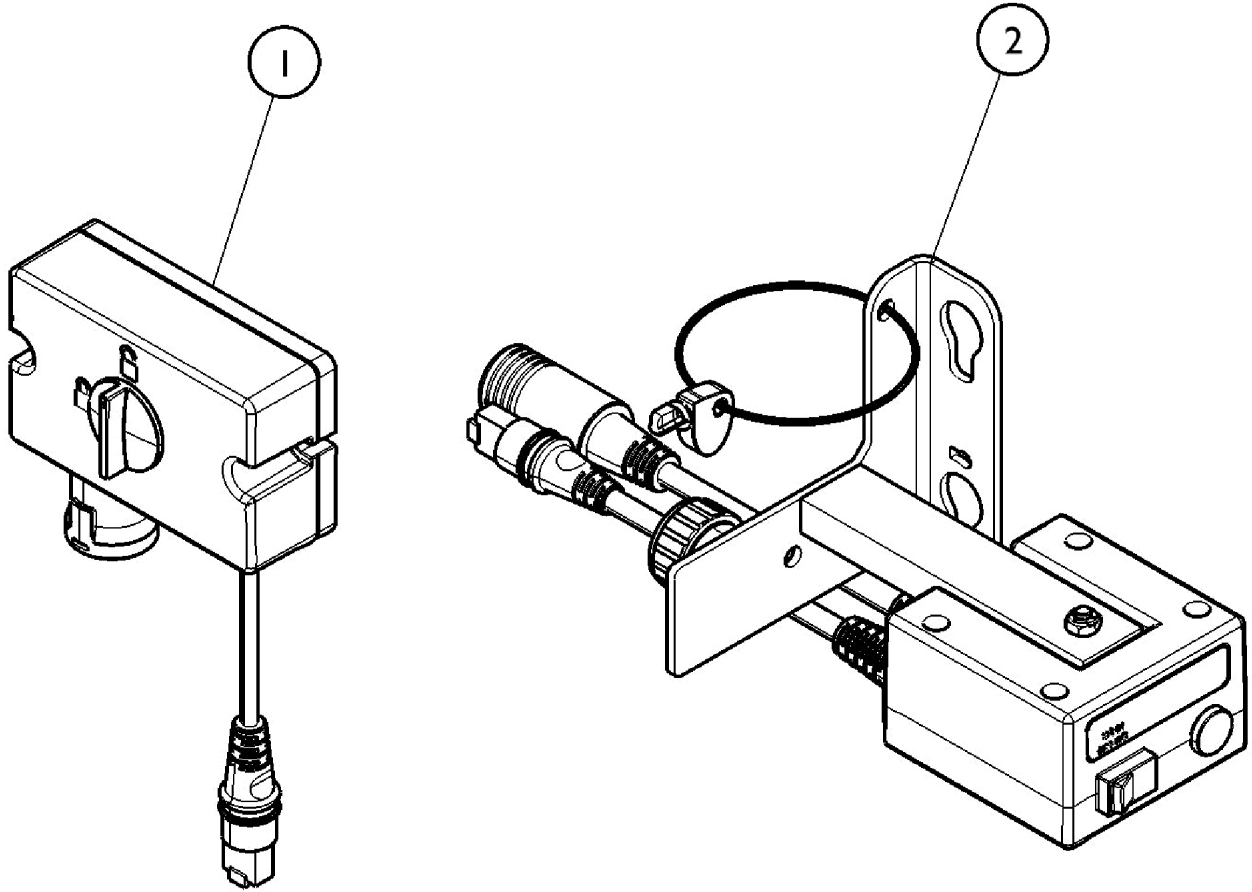


Miscellaneous Electronics - Battery and Actuators

Item Number	Note	Part Number	Description	Quantity Per	
				Package	Assembly
1	A	1175549-NLA	NLA - Battery, On Board Backup w/ Hardware	1	1
1	A	1152564	Battery, On Board Backup w/ Hardware	1	1
8		1147571-NLA	NLA - Actuator, Head w/ CPR Quick Release	1	1
9		1149710-NLA	Bracket, Bed End - Foot (CPR Release Beds)	1	1
10		1147271-NLA	Cable, T, w/ Footboard Staff Control (Long)	1	1
11		1147239-NLA	Screw, CPR Release	1	1

NOTE: A - Kit also includes items 2 - 7.

Miscellaneous Electronics



Miscellaneous Electronics

Item Number	Note	Part Number	Description	Quantity Per	
				Package	Assembly
1	A	1147270	NLA - Box, Lockout, Control, Attendant	1	1
2	B	1157344	Box, Lockout, Neeco-Tron	1	1
NOTE: A - Used prior to July 2009. B - Used as of July 2009.					

Bed Transporter



Item Number	Note	Part Number	Description	Quantity Per	
				Package	Assembly
1		BDTRANSPORT CS-NLA	NLA - Bed Transporter	1	1

Invacare Corporation

www.invacare.com



Yes, you can.

One Invacare Way
Elyria, Oh USA
44035
800-668-2337

Customer/Technical Service
800-668-2337
Service Availability
Monday - Friday

Hours of Availability
8 AM - 6 PM EST

© 2022 Invacare Corporation. All rights reserved. Republication, duplication or modification in whole or in part is prohibited without prior written permission from Invacare. Trademarks are identified by TM and ©. All trademarks are owned by or licensed to Invacare Corporation or its subsidiaries unless otherwise noted. (Revised 8/3/22)

Form No. 13-228