

**A-6  
Wheelchair**



*Yes, you can.*

# Parts Catalog Usage Guide

The information contained in this document is subject to change without notice. This catalog contains service parts for Form No. 00-131. If you have any questions regarding this catalog, please contact one of our Customer Service Representatives.

**For Customer Service Support Call:**

**1-800-333-6900**

**For Faxed In Orders Call:**

**1-800-678-4682 or**

**1-440-366-0709**

**For Technical Service Call:**

**1-800-832-4707**

**Literature Can Be Found at:**

**www.invacare.com or**

**1-800-828-6272**

## SYMBOL DEFINITION

Throughout this catalog you will notice letters to draw your attention to specific footnotes which are located at the bottom of the page or below specified charts.

Examples:

A,B,C etc. = Special Comments

NOTE: = General information pertaining to that specific page

NLA = No Longer Available

## HARDWARE MEASUREMENTS

The measurements for the hardware will be listed as follows:

Screws, Bolts Diameter X Thread Count/Pitch X Length

Washers Inside Diameter X Outside Diameter X Thickness

Spacers Inside Diameter X Outside Diameter X Length

For your convenience, we have supplied an area for you to list your Invacare Representatives.

Name	Phone Numbers

© 2022 Invacare Corporation. Elyria, Ohio. Invacare, Yes, you can., and the Medallion Design are registered trademarks of Invacare Corporation. KIK is a registered trademark of KIK Technology, Inc.

# TABLE of CONTENTS

Description	Page Number
Accessories - Miscellaneous .....	73
Arms - "T" and Hardware .....	20
Arms - Half and Hardware .....	24
Axle Tube Position Assembly .....	35
Axles - Camber Bars and Wheel Attaching Hardware .....	32
Casters - Front and Mounting Hardware .....	29
Forks and Hardware .....	26
Frame Finishes and Touch-Up Paint .....	4
Frames - Backrest and Rear Upright Tubes .....	12
Frames - Seat and Frame Hardware .....	7
Front Riggings - One Piece Adjustable Angle Footplate .....	67
Front Riggings - Rigid Tubular Footplate .....	65
Guards - Rigid Side .....	69
Handles - Push - Bolt On .....	71
Handrims .....	53
Handrims - Hardware .....	55
Packaging - Literature and Decals .....	5
Rear Upright Tube Mounting Hardware .....	10
Upholstery - Back .....	14
Upholstery - Back - Adjustable Tension .....	16
Upholstery - Seat .....	18

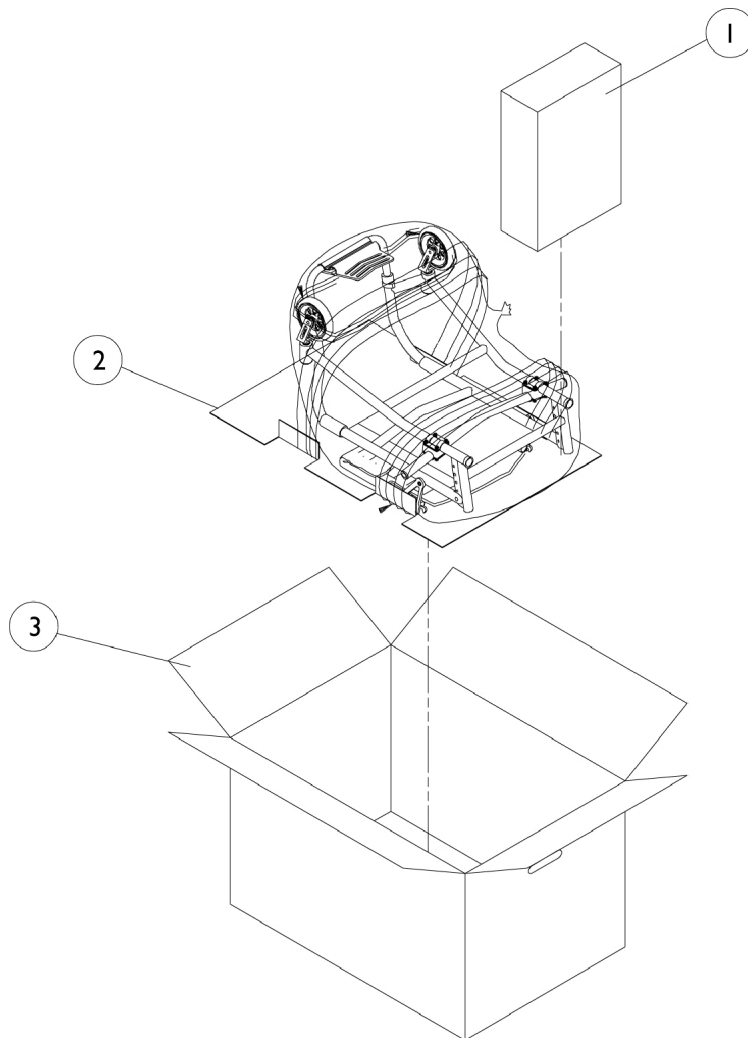
# TABLE of CONTENTS

<b>Description</b>	<b>Page Number</b>
Wheel Locks - High Mount - Pull to Lock .....	59
Wheel Locks - High Mount - Push to Lock .....	56
Wheel Locks - Hill Holder and Attaching Hardware .....	61
Wheel Locks - Push/Pull to Lock (Replacements for High Mount Push to Lock) .....	58
Wheel Locks - Undermount .....	63
Wheels - Rear - Composite .....	41
Wheels - Rear w/ Handrims - Spoke (After 9/1/11) .....	48
Wheels - Rear w/ Handrims - Spoke (Before 9/2/11) .....	51
Wheels - Rear w/o Handrims - Spoke (After 9/1/11) .....	42
Wheels - Rear w/o Handrims - Spoke (Before 9/2/11) .....	45

## Frame Finishes and Touch-Up Paint

Color Number	Touch-Up Paint	Color
22P	1033376-NLA	Anthracite
102P	1101327-NLA	Denim Blue
62P	1046320-NLA	Electric Blue
61P	1046321-NLA	Electric Red
104P	1101316-NLA	Electric Teal
80P	1073892-NLA	Evergreen w/ Navy
101P	1101325-NLA	Jeweled Green
84P	1073896-NLA	Lavender
105P	1101326-NLA	Midnight Blue
103P	1101324-NLA	Mocha Frost
66P	1046322-NLA	Passion Purple
33P	1031455-NLA	Red
83P	1073895-NLA	Royal Blue w/ Grape
30P	1031448-NLA	Sunny Yellow
24P	1031450-NLA	Wet Black
29P	1031447-NLA	White
88P	N/A	Wet Black w/ Twilight Sparkle

# Packaging, Literature, and Decals



## Packaging, Literature, and Decals

Item Number	Note	Part Number	Description	Quantity Per	
				Package	Assembly
1		40131X011-NLA	NLA - Carton, Front Riggings	1	1
2		1049222-NLA	NLA - Insert, Bottom Pad	1	1
3		1045583-NLA	NLA - Carton, Shipper	1	1
	A	See Chart	Decals	1	1
	A,B	1092293-NLA	NLA - Owner's Manual	1	1
	A	1095497	Decal, Invacare Logo (1.6)	1	1
	A	See Chart	Decals	1	1

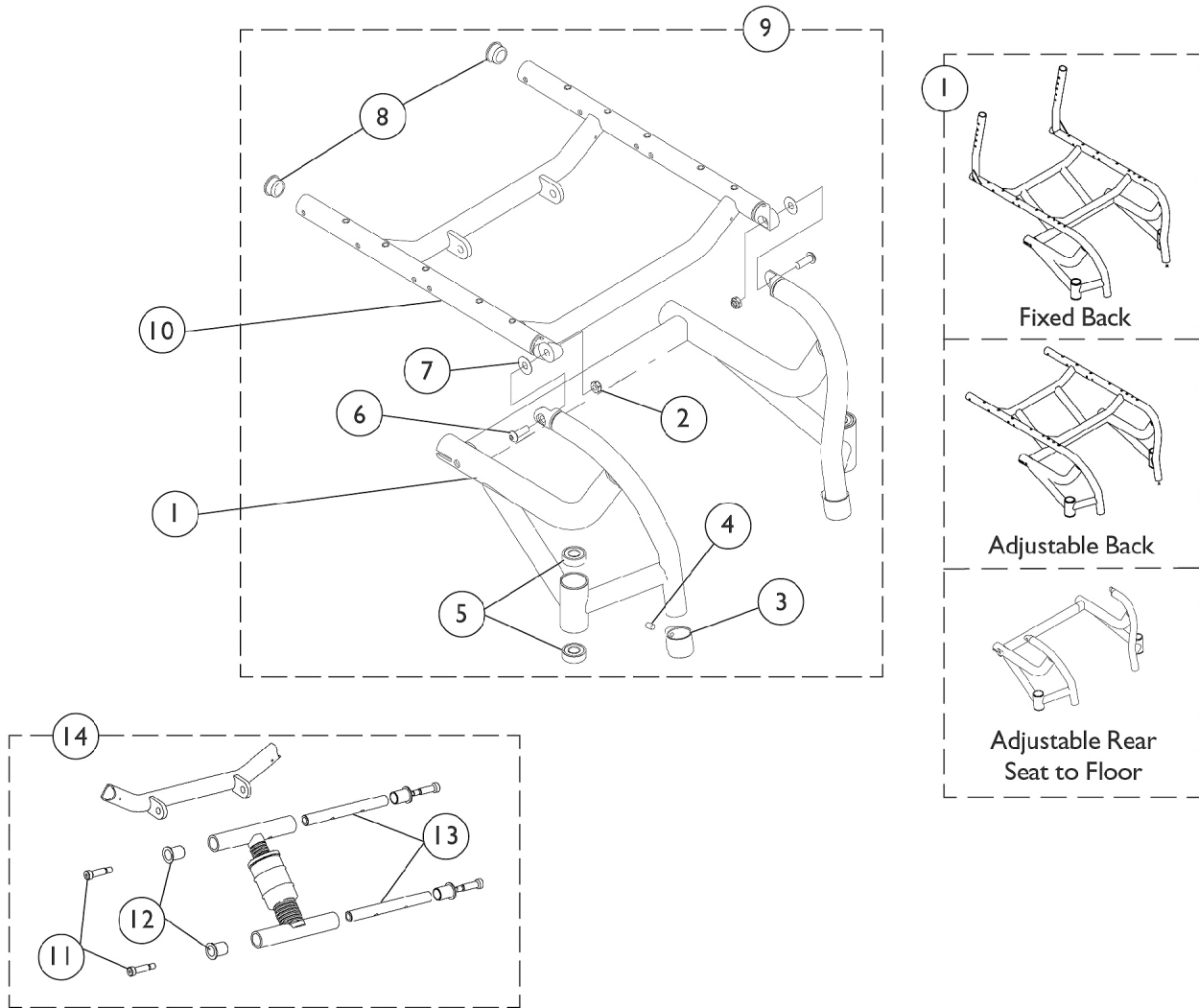
NOTE: A - Not Shown  
 B - Item is no longer available from the Invacare Service Parts Department. Refer to the Invacare Website under "Product Literature Search". Enter the part number in the "Keywords" field and download a free PDF version copy.

Note: When adjusting or replacing parts please refer to your Owner's Manual for assistance.

### Decals

Decal Text Color	A-6S	F-6S	A-6	F-6
Black	1097357-NLA	1097359-NLA	1097361-NLA	1097363-NLA
White	1097356-NLA	1097358-NLA	1097360-NLA	1097362-NLA

# Seat Frames and Frame Hardware





## Seat Frames and Frame Hardware

Item Number	Note	Part Number	Description	Quantity Per	
				Package	Assembly
1	A	8881101592-NL A	NLA - Frame, Aluminum, Color	1	1
2		1028769	Locknut (5/16-18)	1	2
3		1111949-NLA	NLA - Clamp, Footrest	1	2
4		1026911-NLA	NLA - Screw, Socket Set Cone Point (1/4-20 x 1/2")	1	2
5		40117X021	Bearing (1/2" I.D. x 1-1/8" O.D.)	1	4
6	B	1000208-NLA	NLA - Screw, Shoulder Hex Socket Head (5/16" x 3/8", 1/4-20)	1	2
6	C	1046494	Screw, Socket Button Head (5/16-18 x 7/8")	1	2
7		1046497-NLA	NLA - Washer, Nylon (5/16 x 7/8 x 1/64")	1	4
8		1056328	Plug Button, Black (1")	1	2
9	D	1098112-NLA	NLA - Hardware, Frame, A6, Both Sides	2	1
10		See Chart	#10 Seat Frames	1	1
11		1069421-NLA	NLA - Screw, Shoulder Hex Socket Head (3/8 x 1", 5/16-18)	1	4
12		1093116-NLA	NLA - Flange	1	4
13		1095638-NLA	NLA - Rod, Attaching, Adjustable Height	1	2
14		See Chart	#14 Seat Adjustment Assembly	2	1

NOTE: A - Configured Item  
 B - Chairs built Before 9/16/02. Due to design improvement, this screw was replaced with part nos. 1046494 and 1028769.  
 C - Chairs built After 9/15/02.  
 D - Includes items 2-8.

# Seat Frames and Frame Hardware

## #10 Seat Frames

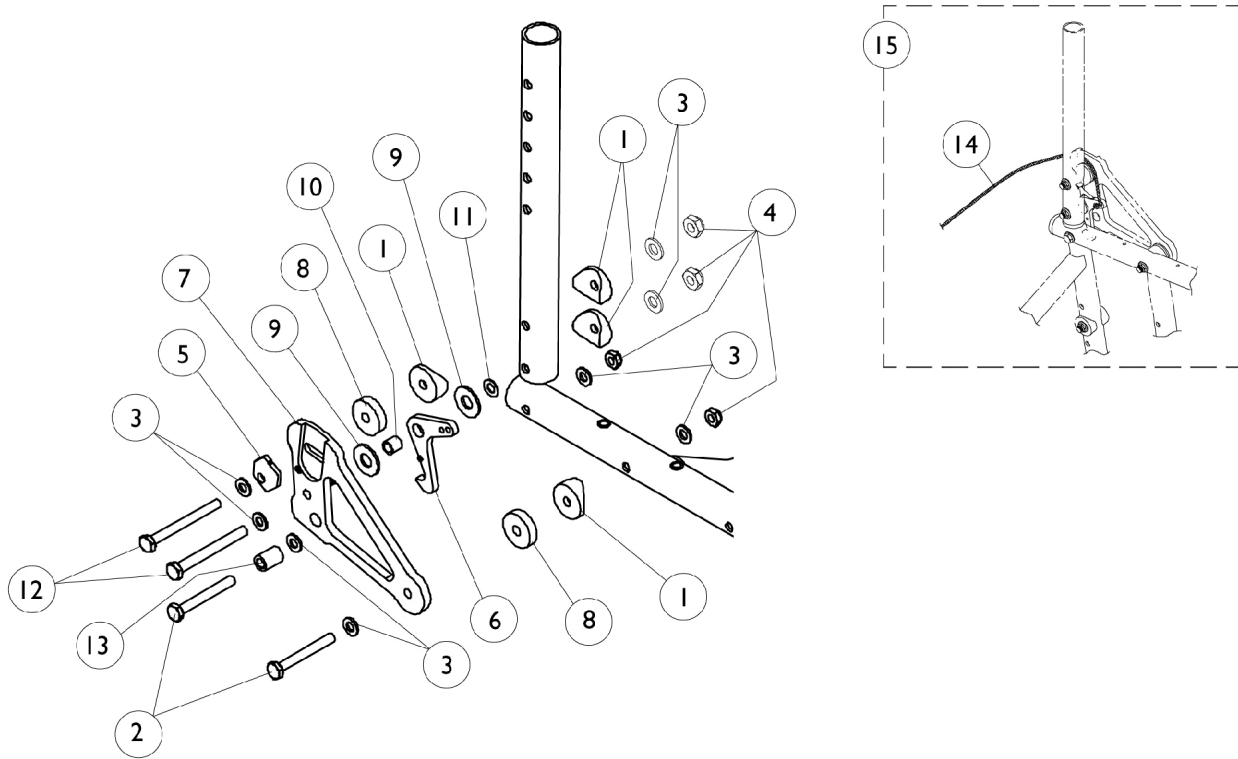
Chair Width	14" Deep	15" Deep	16" Deep	17" Deep	18" Deep	19" Deep	20" Deep
14"	8881093166-NLA	8881093173-NLA	8881093180-NLA	8881093187-NLA	8881093194-NLA	N/A	N/A
15"	8881093167-NLA	8881093174-NLA	8881093181-NLA	8881093188-NLA	8881093195-NLA	N/A	N/A
16"	8881093168-NLA	8881093175-NLA	8881093182-NLA	8881093189-NLA	8881093196-NLA	8881093203-NLA	N/A
17"	8881093169-NLA	8881093176-NLA	8881093183-NLA	8881093190-NLA	8881093197-NLA	8881093204-NLA	N/A
18"	8881093170-NLA	8881093177-NLA	8881093184-NLA	8881093191-NLA	8881093198-NLA	8881093205-NLA	N/A
19"	N/A	N/A	8881093185-NLA	8881093192-NLA	8881093199-NLA	8881093206-NLA	N/A
20"	N/A	N/A	8881093186-NLA	8881093193-NLA	8881093200-NLA	8881093207-NLA	8881093972-NLA

Due to design improvement, when ordering a Seat Frame for chairs built Before 9/16/02 also order 2 each of item 2 Locknut (1028769) and item 6 Screw (1046494).  
Specify frame color when ordering.

## #14 Seat Adjustment Assembly

Front STF	22" Wheels	24" Wheels	26" Wheels
17"	1095431-NLA	1098519-NLA	N/A
18"	1095431-NLA	1095431-NLA	1098519-NLA
19"	1095432-NLA	1095431-NLA	1095431-NLA
20"	1095432-NLA	1095432-NLA	1095431-NLA
21"	1095432-NLA	1095432-NLA	1095432-NLA

# Rear Upright Tube Mounting Hardware

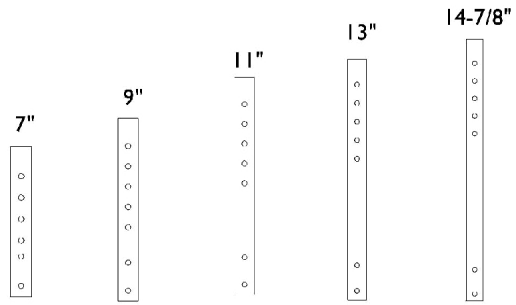
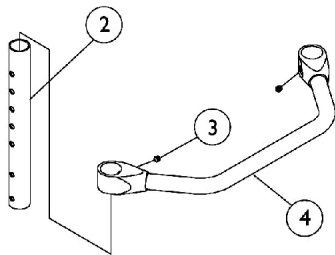
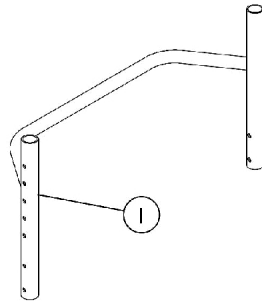


## Rear Upright Tube Mounting Hardware

Item Number	Note	Part Number	Description	Quantity Per	
				Package	Assembly
1		40157X020	Spacer, Coved (1/4 x 1 x 9/16")	1	4
2		1055349	Screw, Hex Head (1/4-28 x 2")	1	4
3		1026907	Washer (1/4 x 1/2 x 1/16")	1	16
4		1025765	Locknut (1/4-28)	1	4
5		1039232-NLA	NLA - Cam, Adjustment	1	1
6		1081354-NLA	NLA - Latch, Backrest - Right	1	1
6		1081355-NLA	NLA - Latch, Backrest - Left	1	1
7		1079920-NLA	NLA - Plate, Backrest Support -Right	1	1
7		1079921-NLA	NLA - Plate, Backrest Support -Left	1	1
8		1040776-NLA	NLA - Spacer, Nylon (1/4 x 1 x 1/4")	1	2
9		1012371	Washer, Nylon (3/8 x 7/8 x 1/16")	1	1
10		1026162	Spacer (1/4 x 3/8 x 11/32")	1	1
11		1025728	Washer (1/4 x 1/2 x 1/32")	1	1
12		1055351-NLA	NLA - Screw, Hex Head (1/4-28 x 2-1/2")	1	1
13		1039233	Spacer (1/4 x 7/16 x 5/8")	1	1
14		1141633	Cord, Nylon (6-1/2 ft.)	1	1
15	A	1041149-NLA	NLA - Kit, Backrest Hardware (Pair)	2	1
15	B	1097082-NLA	NLA - Kit, Backrest Hardware (Pair)	2	1

NOTE: A - For chairs without Half Arms. Includes items 1-11 and 13- 14.  
 B - For chairs with Half Arms. Includes items 1-14.

# Backrest Frame and Rear Upright Tubes



1042514    1042513    1043358    1042515    1052226

Item Number	Note	Part Number	Description	Quantity Per	
				Package	Assembly
1		See Chart	#1 One Piece Backrest Frame	1	1
2		1042514-NLA	NLA - Tube, Rear Upright, Black (8 - 11" H)	1	2
2		1042513-NLA	NLA - Tube, Rear Upright, Black (10 - 14" H)	1	2
2		1043358	Tube, Rear Upright, Black (12 - 16" H)	1	2
2		1042515-NLA	NLA - Tube, Rear Upright, Black (14 - 18" H)	1	2
2		1052226-NLA	NLA - Tube, Rear Upright, Black (16 - 20" H)	1	2
3		1045495-NLA	NLA - Screw, Set Socket (1/4-20 x 1/4")	1	2
4		See Chart	#4 Backrest Crossmember	1	1

# Backrest Frame and Rear Upright Tubes

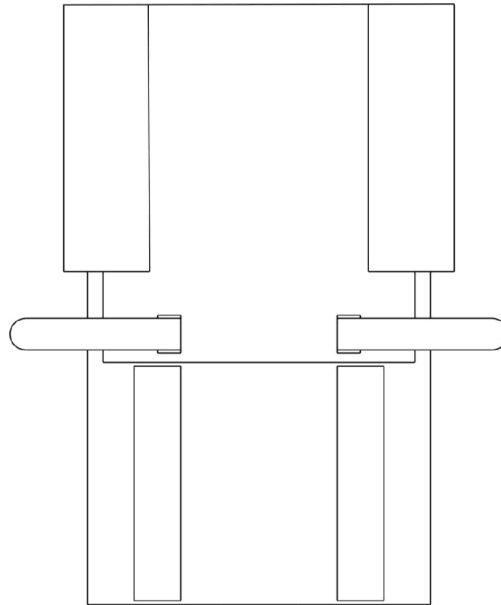
## #1 One Piece Backrest Frame

Chair Width	8-11" High	10-14" High	12-16" High	14-18" High	16-20" High
14"	1024706-NLA	1026188-NLA	1042982-NLA	1026757-NLA	1026764-NLA
15"	1024707-NLA	1026189-NLA	1042986-NLA	1026758-NLA	1026765-NLA
16"	1024708-NLA	1026190-NLA	1042987-NLA	1026759-NLA	1026766-NLA
17"	1024709-NLA	1026191-NLA	1042988-NLA	1026760-NLA	1026767-NLA
18"	1024710-NLA	1026192-NLA	1042989-NLA	1026761-NLA	1026768-NLA
19"	1024711-NLA	1026193-NLA	1042990-NLA	1026762-NLA	1026769-NLA
20"	1024712-NLA	1026194-NLA	1042991	1026763-NLA	1026770-NLA

## #4 Backrest Crossmember

14" Wide	15" Wide	16" Wide	17" Wide	18" Wide	19" Wide	20" Wide
1042510	1042511	1042512	1050083	1050080	1050077	1050074

## Back Upholstery



Back Upholstery  
- Nylon

Chair Width	8-12" High	10-14" High	12-16" High	14-18" High	16-20" High
14"	1026795-NLA	1026802	1043539-NLA	1026809-NLA	1026816-NLA
15"	1026796-NLA	1026803-NLA	1043540-NLA	1026810-NLA	1026817-NLA
16"	1026797-NLA	1026804-NLA	1043541-NLA	1026811-NLA	1026818-NLA
17"	1026798-NLA	1026805-NLA	1043542-NLA	1026812-NLA	1026819-NLA
18"	1026799-NLA	1026806-NLA	1042983-NLA	1026813-NLA	1026820-NLA
19"	1026800-NLA	1026807-NLA	1043543-NLA	1026814-NLA	1026821-NLA
20"	1026801-NLA	1026808-NLA	1043544-NLA	1026815-NLA	1026822-NLA

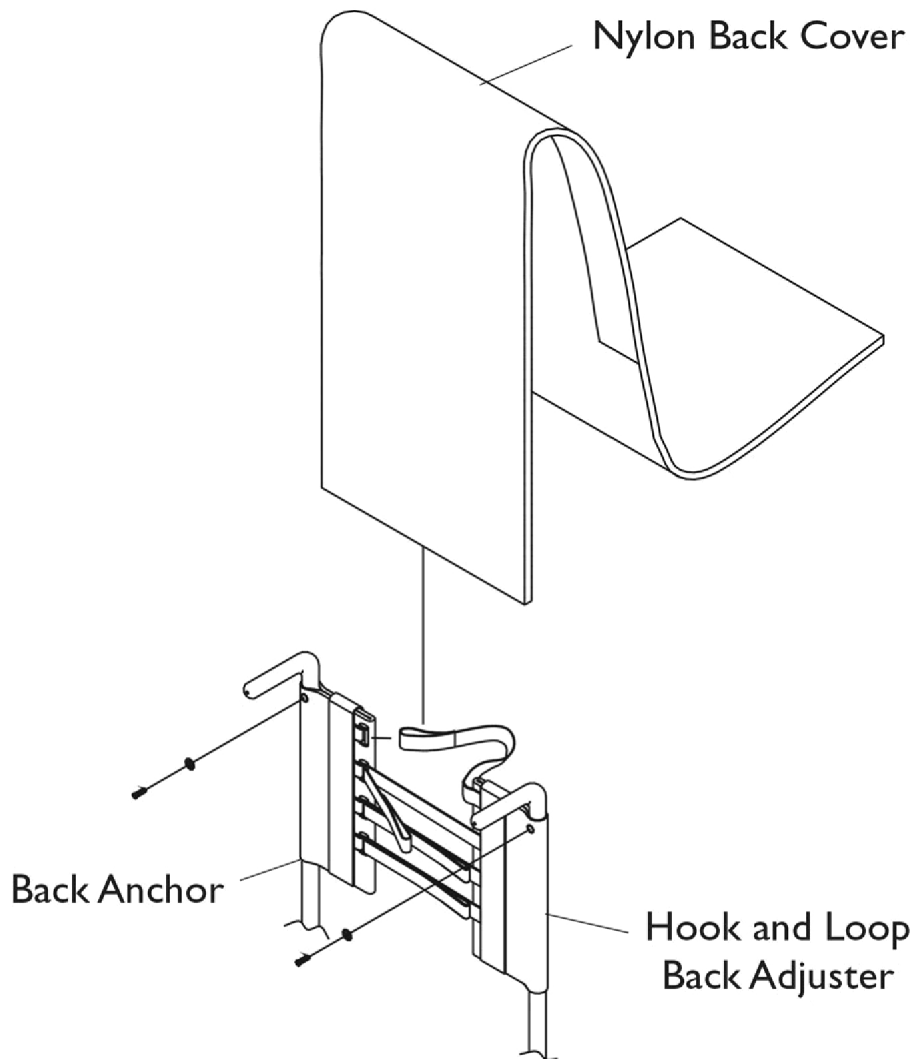
## Back Upholstery

Item Number	Note	Part Number	Description	Quantity Per	
				Package	Assembly
	A	1026298	Package, Screw with Washer (#10 x 7/8") (Pair)	2	1
	A	See Chart	Back Upholstery	1	1

NOTE: A - Not Shown



# Adjustable Tension Back Upholstery



## Back Hardware

Item Number	Note	Part Number	Description	Quantity Per	
				Package	Assembly
	A	1026298	Package, Screw with Washer (#10 x 7/8") (Pair)	2	1
	A,B	1039470-NLA	NLA - Instruction Sheet, Adjustable Tension Back Upholstery	1	1
	A	See Chart	Back Upholstery -Adjustable Tension	1	1

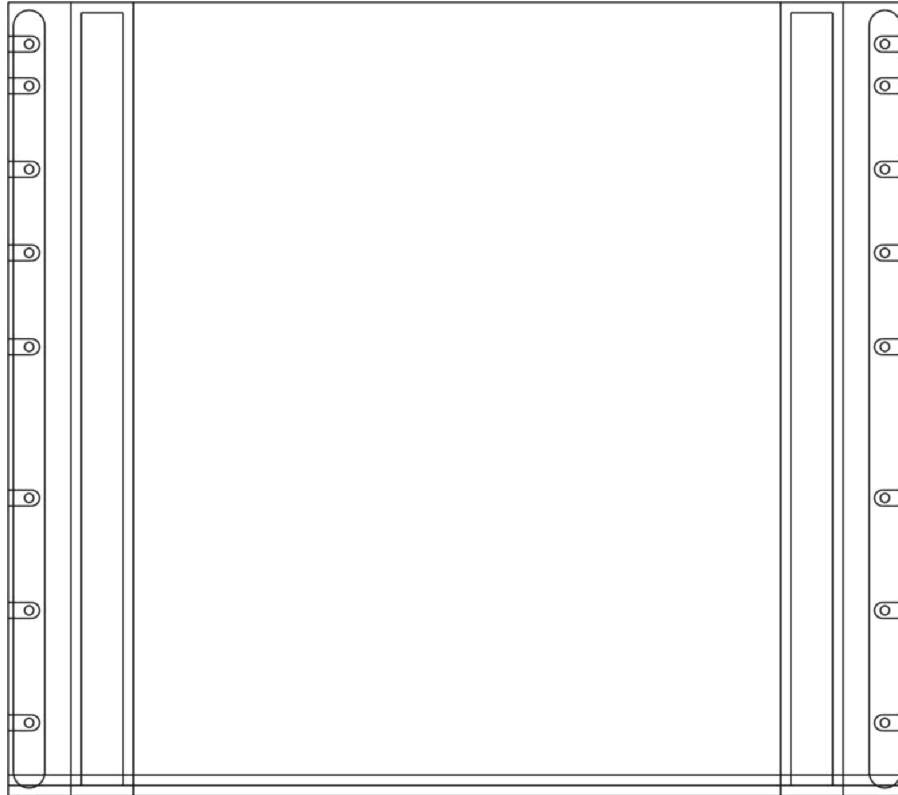
NOTE: A - Not Shown  
 B - Item is no longer available from the Invacare Service Parts Department. Refer to the Invacare Website under "Product Literature Search". Enter the part number in the "Keywords" field and download a free PDF version copy.

## Adjustable Tension Back Upholstery

Back Height	Seat Width	Back Anchor	Hook & Loop Adjuster	Back Cover	Back Assembly See Note(s) A
8-11"	14"	1046405-NLA	1046402-NLA	1046244	1079094-NLA
8-11"	15"	1046405-NLA	1046402-NLA	1046245	1079095-NLA
8-11"	16"	1046405-NLA	1046402-NLA	1046246	1079096
8-11"	17"	1046405-NLA	1046403-NLA	1046247	1079097-NLA
8-11"	18"	1046405-NLA	1046403-NLA	1046248-NLA	1079098-NLA
8-11"	19"	1046405-NLA	1046404-NLA	1046249	1079099-NLA
8-11"	20"	1046405-NLA	1046404-NLA	1046250-NLA	1079100-NLA
10-14"	14"	1046287-NLA	1046284-NLA	1037929	1079103-NLA
10-14"	15"	1046287-NLA	1046284-NLA	1037930	1079104-NLA
10-14"	16"	1046287-NLA	1046284-NLA	1037931	1079105-NLA
10-14"	17"	1046287-NLA	1046285-NLA	1037932	1079106-NLA
10-14"	18"	1046287-NLA	1046285-NLA	1037933	1079107
10-14"	19"	1046287-NLA	1046286-NLA	1037934	1079108-NLA
10-14"	20"	1046287-NLA	1046286-NLA	1037935	1079109-NLA
12-16"	14"	1037916	1037925	1037918	1039478
12-16"	15"	1037916	1037925	1037919	1039479
12-16"	16"	1037916	1037925	1037920	1039480
12-16"	17"	1037916	1037917	1037921	1039481
12-16"	18"	1037916	1037917	1037922	1039482
12-16"	19"	1037916	1037926	1037923	1039483
12-16"	20"	1037916	1037926	1037924	1039484
14-18"	14"	1037720-NLA	1037736	1037922	1039485
14-18"	15"	1037720-NLA	1037736	1037923	1039486
14-18"	16"	1037720-NLA	1037736	1037924	1039487
14-18"	17"	1037720-NLA	1037721	1037925	1039488-NLA
14-18"	18"	1037720-NLA	1037721	1037926	1039489-NLA
14-18"	19"	1037720-NLA	1037737	1037927	1039490-NLA
14-18"	20"	1037720-NLA	1037737	1037728	1039491
16-20"	14"	1046731	1046732	1046735-NLA	1046742
16-20"	15"	1046731	1046732	1046736	1046743
16-20"	16"	1046731	1046732	1046737	1046744
16-20"	17"	1046731	1046733	1046738	1046745
16-20"	18"	1046731	1046733	1046739	1046746
16-20"	19"	1046731	1046734	1046740	1046747
16-20"	20"	1046731	1046734	1046741	1046748

NOTE: A - Back Assembly includes Back Anchor, Hook and Loop Adjuster, Back Cover and Instruction Sheet.

# Seat Upholstery



## Seat Upholstery - Nylon

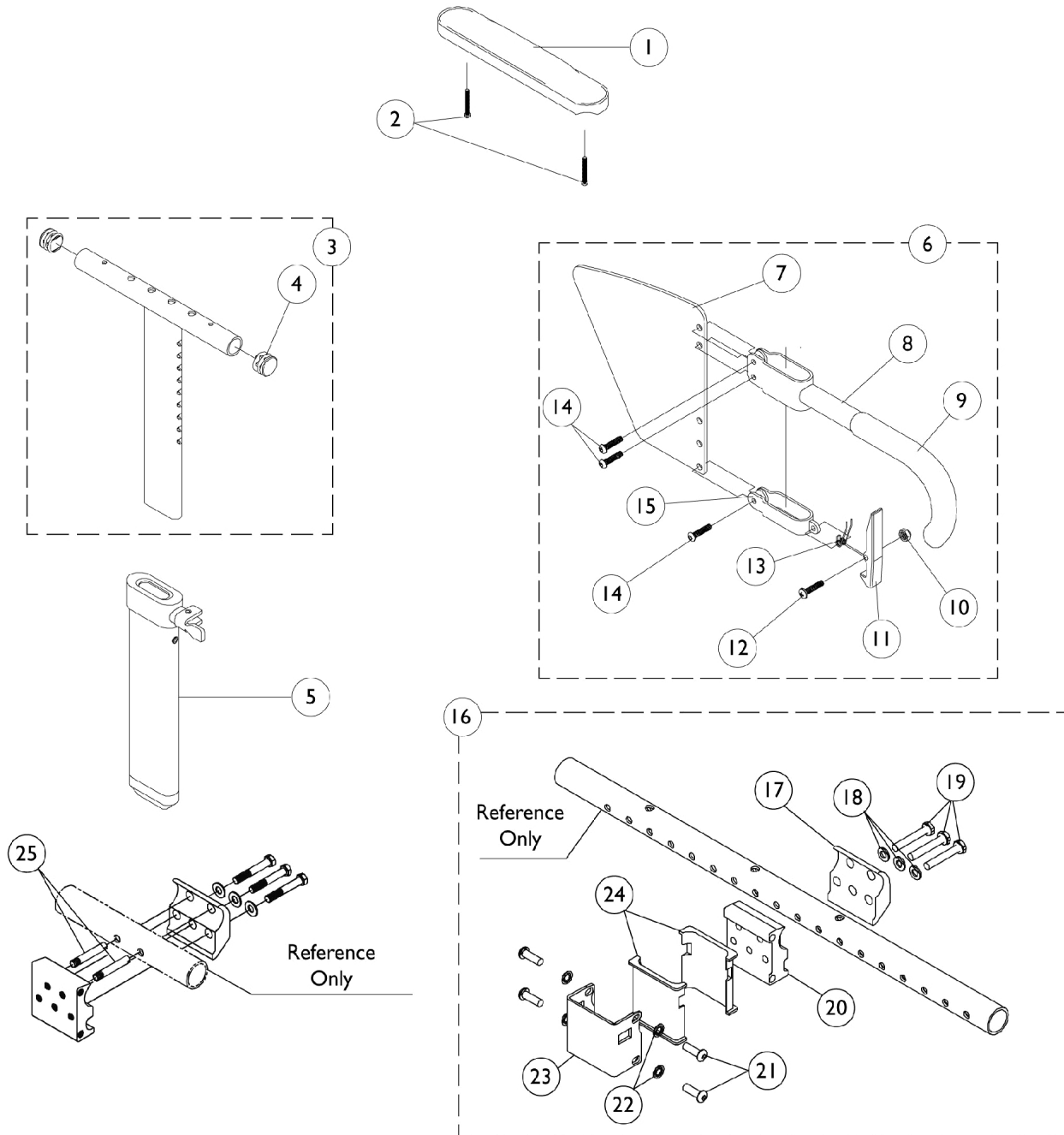
Chair Width	14" Deep	15" Deep	16" Deep	17" Deep	18" Deep	19" Deep	20" Deep
14"	1032080	1032081	1032082	1032083	1032084	N/A	N/A
15"	1032085	1032086	1032087	1032088	1032089	N/A	N/A
16"	1032090	1032091	1032092	1032093	1032094	1046478-NLA	N/A
17"	1032095	1032096	1032097	1032098	1032099	1046479-NLA	N/A
18"	1032100	1032101	1032102	1032103	1032104	1046480-NLA	N/A
19"	N/A	N/A	1032105	1032106	1032107	1046481-NLA	N/A
20"	N/A	N/A	1032108	1032109	1032110	1046482-NLA	1069931-NLA

# Seat Upholstery

## Seat Upholstery Hardware Kits

Seat Depth	Hardware Kit	Screw Quantity/Size per Kit
14"	1026931-NLA	10 ea. (#10-32 x 3/4")
15-16"	1026932-NLA	12 ea. (#10-32 x 3/4")
17-18"	1026933-NLA	14 ea. (#10-32 x 3/4")
19-20"	1046294-NLA	16 ea. (#10-32 x 3/4")

# "T" Arm and Hardware



## "T" Arm and Hardware

Item Number	Note	Part Number	Description	Quantity Per	
				Package	Assembly
1	A	8881011810-NL A	NLA - Arm Pad, Desk Length w/ Law Label	1	1
1	A	8881053578	Kit, Arm Pad w/ Screws, Desk Length (9" L x 2" W) (Pair)	2	1
1	A	8881011813-NL A	NLA - Pad, Arm, Full Length w/ Law Label	1	1
1	A	8881053577	Kit, Arm Pad w/ Screws, Full Length (14" L x 2" W) (Pair)	2	1
2		1055205	Package, Screw Phillips Pan Head (#10-32 x 1-3/8")	2	1
3		1069639	T-Arm Assembly w/ Plug Buttons, Desk Length, Low Range, Black	1	1
3		1069643	T-Arm Assembly w/ Plug Buttons, Full Length, Low Range, Black	1	1
3		1069641	T-Arm Assembly w/ Plug Buttons, Desk Length, High Range, Black	1	1
3		1069645	T-Arm Assembly w/ Plug Buttons, Full Length, High Range, Black	1	1
4		1027095	Plug Button, Black (7/8")	1	2
5		1069635	Post, Arm, Low Range	1	1
5		1069637	Post, Arm, High Range	1	1
6		1073424	Kit, Clothing Guard, Low Range - Right	1	1
6		1073425	Kit, Clothing Guard, Low Range - Left	1	1
6		1073422	Kit, Clothing Guard, High Range - Right	1	1
6		1073423	Kit, Clothing Guard, High Range - Left	1	1
7		1069652-NLA	NLA - Guard, Clothing, Low Range	1	1
7		1069651-NLA	NLA - Guard, Clothing, High Range	1	1
8		1069634	Tube, Support, Low Range, Black - Right	1	1
8		1073247-NLA	NLA - Tube, Support, Low Range, Black - Left	1	1
8		1069650-NLA	NLA - Tube, Support, High Range, Black - Right	1	1
8		1073246	Tube, Support, High Range, Black - Left	1	1
9		1028427	Grip, Foam	1	1
10		1025731	Locknut (#10-32)	1	1
11		1076839-NLA	NLA - Lever, Locking	1	1
12		1025716	Screw, Phillips Pan Head (#10-32 x 11/16")	1	1
13		1073196-NLA	NLA - Spring, Torsion	1	1
14		1006773-NLA	NLA - Screw, Socket Button Head (1/4-20 x 1/2")	1	3
15		1075069-NLA	NLA - Clamp, Clothing Guard - Right	1	1
15		1075070-NLA	NLA - Clamp, Clothing Guard - Left	1	1
16		1069627-NLA	NLA - Arm Socket Assembly, Clamp On	1	1
17		1069605	Clamp, "T" Arm Socket - Inside	1	1
18		1026907	Washer (1/4 x 1/2 x 1/16")	1	3
19		1055298	Screw, Hex Head (1/4-28 x 1-5/8")	1	3
20		1075162-NLA	NLA - Clamp, "T" Arm Socket - Outside	1	1
21		1055346-NLA	NLA - Screw, Hex Head (1/4-28 x 3/4")	1	4
22		1026108	Lockwasher (1/4 x 15/32 x 1/64")	1	4

## "T" Arm and Hardware

Item Number	Note	Part Number	Description	Quantity Per	
				Package	Assembly
23		1069620-NLA	NLA - Bracket, Socket, Black	1	1
24		1069609	Insert, Arm Socket, Black	1	2
25		1058545	Lever, Actuator	1	1
	B	See Chart	"T" Arm Kits	1	1
NOTE: A - Specify U67 color when ordering. B - Not Shown					

# "T" Arm and Hardware

## "T" Arm Kits

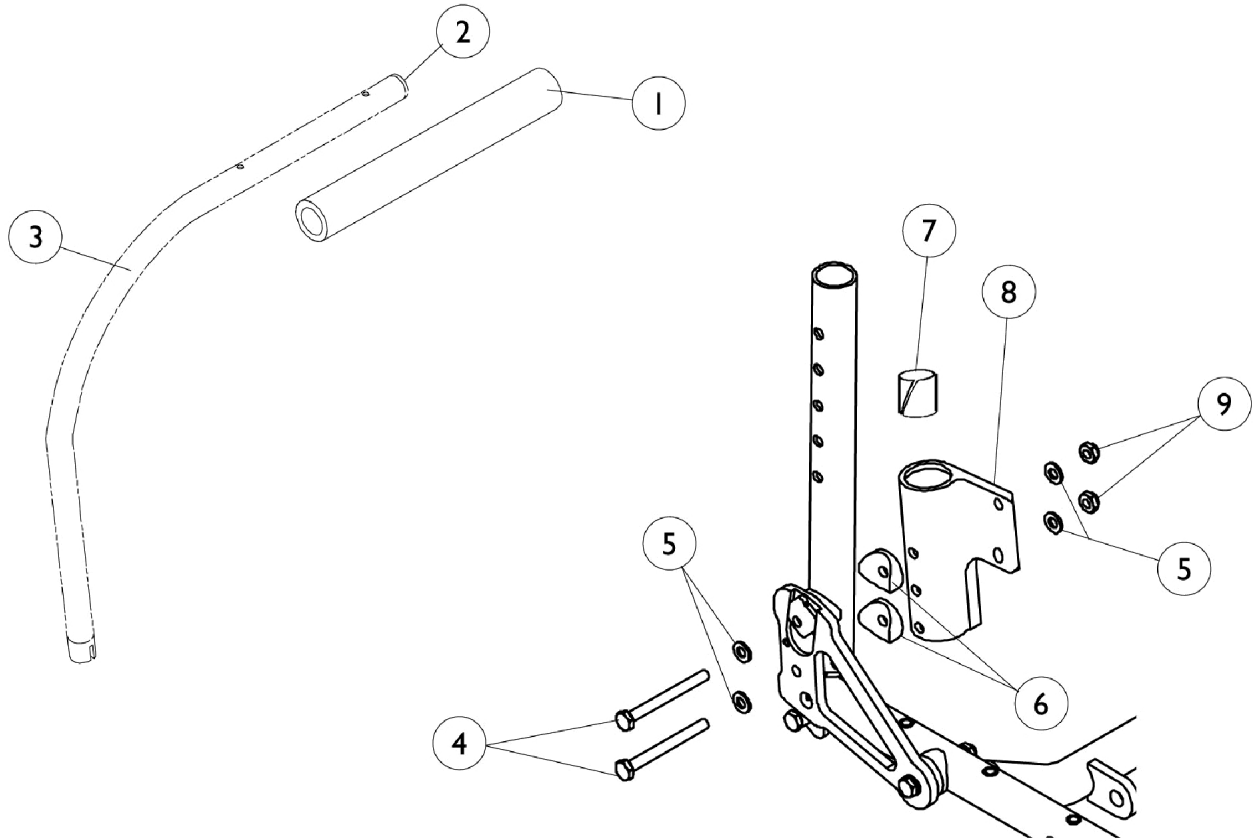
Kits Include Items 1-3,5-6

Part Number	Arm Style
8881074078	Desk Length, Low Range (1 Pair)
8881074079	Desk Length, High Range (1 Pair)
8881074080	Full Length, Low Range (1 Pair)
8881074081-NLA	Full Length, High Range (1 Pair)

Specify U67 upholstery color when ordering.



# Half Arms and Hardware

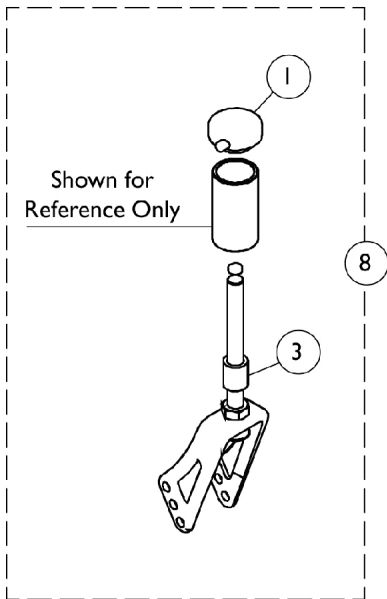


## Half Arms and Hardware

Item Number	Note	Part Number	Description	Quantity Per	
				Package	Assembly
1		1032244	Grip, Foam Hand (9" L)	1	1
2		1056328	Plug Button, Black (1")	1	1
3		1093828	Half Arm Tube - Right	1	1
3		1093829-NLA	NLA - Half Arm Tube - Left	1	1
4		1055351-NLA	NLA - Screw, Hex Head (1/4-28 x 2-1/2")	1	2
5		1026907	Washer (1/4 x 1/2 x 1/16")	1	2
6		40157X020	Spacer, Coved (1/4 x 1 x 9/16")	1	2
7		1018687	Sleeve, Bearing	1	1
8	A	1097056-NLA	NLA - Socket, Half Arm - Right	1	1
8	A	1097057-NLA	NLA - Socket, Half Arm - Left	1	1
9		1025765	Locknut (1/4-28)	1	3

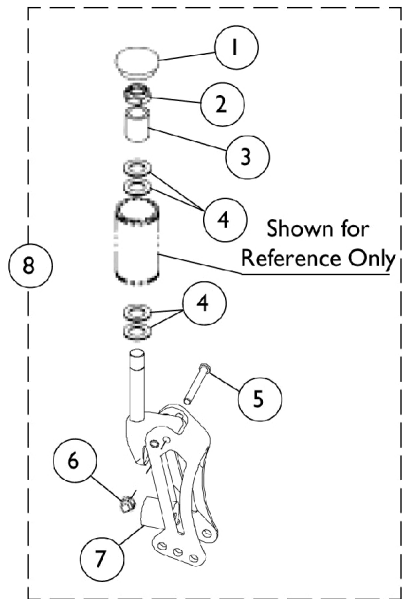
NOTE: A - Includes Item 2.

# Forks and Hardware



**Non  
Suspension**

**Suspension**



## Forks and Hardware

Item Number	Note	Part Number	Description	Quantity Per	
				Package	Assembly
1		1088523	Plug Button, Head Tube, Black	1	1
1		1042044-NLA	NLA - Cap, Head Tube, Quick Release Caster, Black	1	1
2		1025737	Locknut (1/2-20)	1	6
3		1046495	Spacer (1/2 x 3/4 x 1")	1	1
4		1026174	Washer (1/2 x 7/8 x 3/64")	1	1
5		1030957-NLA	NLA - Screw, Shoulder Hex Socket Head (1/4 x 1-3/4", #10-24)	1	1
6		1100857-NLA	NLA - Nut, Hex with Nylon Cap (#10-24)	1	1
7		See Chart	#7 Polyurethane Springs	2	1
7		See Chart	#7 Polyurethane Spring Kits	2	1
8		See Chart	#8 Caster Forks with Hardware	1	2

### #7 Polyurethane Springs

User's Weight Range	Spring Color	Part Number
0 lbs to 140 lbs	Blue	1100506-NLA See Note(s) A
141 lbs to 220 lbs	Black	1100507-NLA See Note(s) A
221 lbs to 250 lbs	Purple	1100508-NLA See Note(s) A

NOTE: A - Includes 2 Springs

### #7 Polyurethane Spring Kits

User's Weight Range	Spring Quantity/Color	Part Number
0 Lbs. to 100 Lbs.	4 Blue	1100509-NLA See Note(s) A
101 Lbs. to 140 Lbs.	2 Blue / 2 Black	1100510-NLA See Note(s) A
141 Lbs. to 180 Lbs.	4 Black	1100511-NLA See Note(s) A
181 Lbs. to 220 Lbs.	2 Black / 2 Purple	1100512-NLA See Note(s) A
221 Lbs. to 250 Lbs.	4 Purple	1100513-NLA See Note(s) A

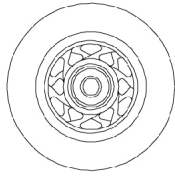
NOTE: A - Includes 4 Springs

# Forks and Hardware

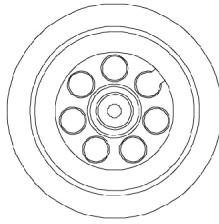
## #8 Caster Forks with Hardware

Fork Type	Standard/Quad Release	Fork Stem	0-140 Lbs. User's Weight	141-220 Lbs. User's Weight	221-250 Lbs. User's Weight
Non Suspension	Standard	With 1" Extension	1101206-NLA	1101206-NLA	1101206-NLA
Non Suspension	Quick Release	Without 1" Extension	1098499-NLA	1098499-NLA	1098499-NLA
Non Suspension	Quick Release	With 1" Extension	1098500-NLA	1098500-NLA	1098500-NLA
Suspension	Standard	With 1" Extension	1098110-NLA	1098109-NLA	1098108-NLA
Suspension	Quick Release	Without 1' Extension	1098517-NLA	1098515-NLA	1098513-NLA
Suspension	Quick Release	With 1' Extension	1098518-NLA	1098516-NLA	1098514-NLA

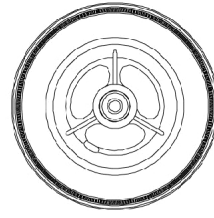
# Caster Wheels and Mounting Hardware



3" Urethane



5" Aluminum Urethane



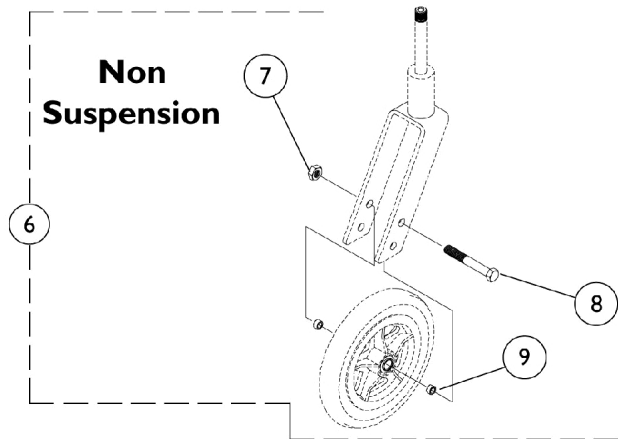
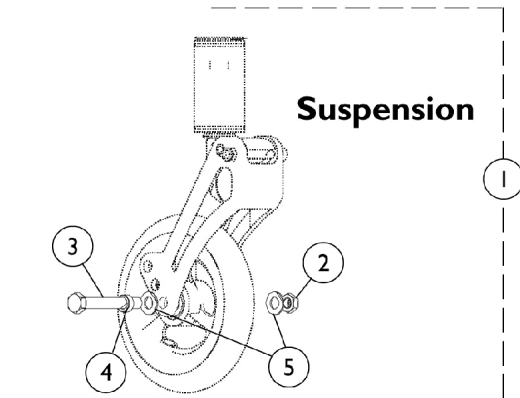
5" / 6" Composite Urethane

# Caster Wheels and Mounting Hardware

## Caster Wheels

Wheel Style	Wheel Style	Tire Type	Caster w/ Bearings	Bearing	Beaing Spacer	Tire	Tube
AT900	3"	Urethane	1032190-NLA	40117X026	1026172	N/A	N/A
5ALUM	5"	Urethane	1026952	40117X026	1026172	N/A	N/A
AT901	5"	Urethane	1029496	40117X026	1026172	N/A	N/A
AT902	6"	Urethane	1034352 See Note(s) A	N/A	N/A	N/A	N/A
6PNEU	6"	Pneumatic	1044040	40117X026	1026172	1026010-NLA	1026011-NLA

NOTE: A - Consists of (2) Casters.



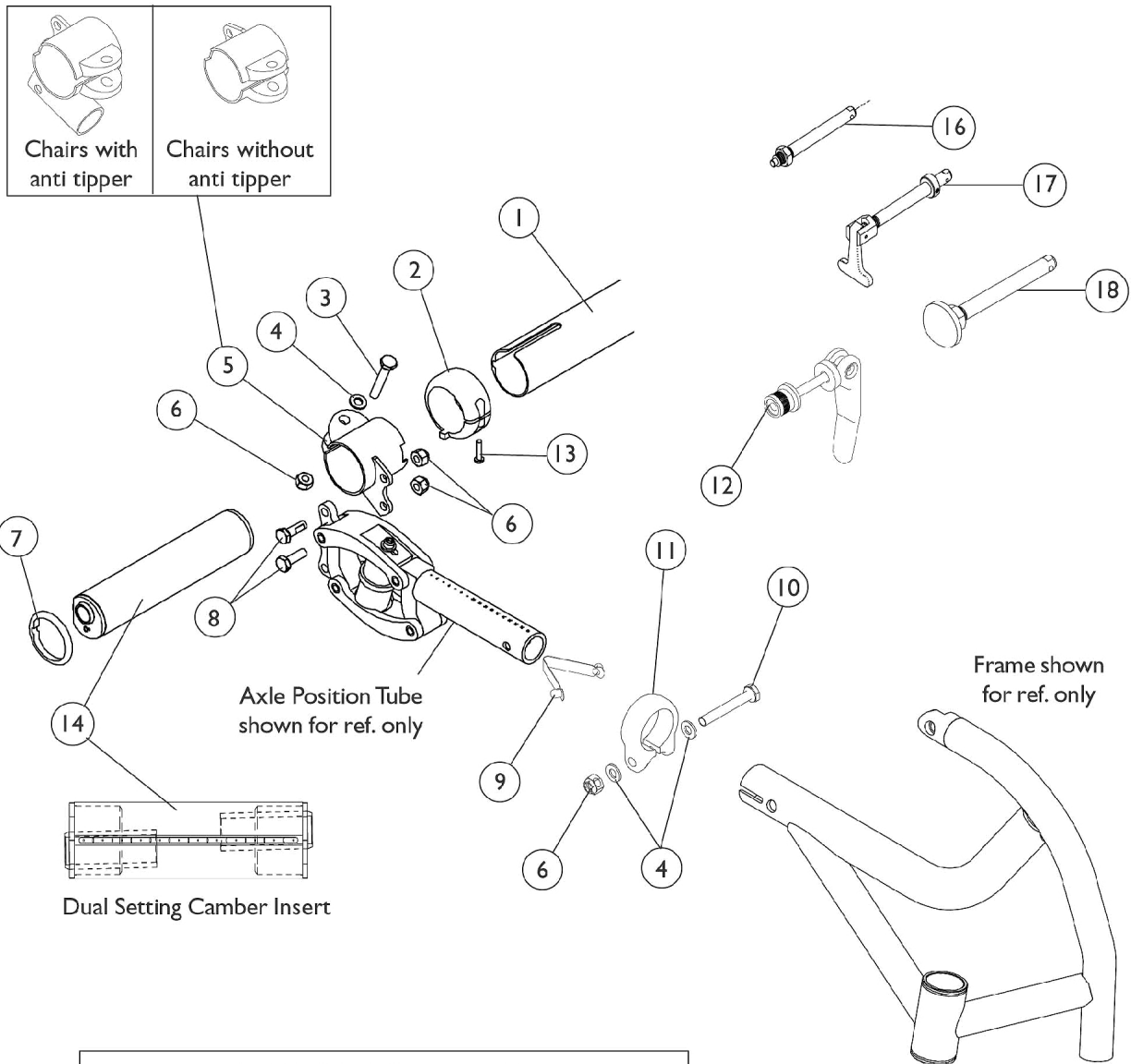
## Caster Wheels and Mounting Hardware

Item Number	Note	Part Number	Description	Quantity Per	
				Package	Assembly
1	A	1098114-NLA	NLA - Hardware, Suspension Fork	1	1
2		1025730	Locknut (5/16-24)	1	1
3		1025764	Screw, Hex Head (5/16-24 x 2-1/4")	1	1
4		1028539	Spacer (15/32 x 5/16 x 3/16)	1	2
5		1025704	Washer, Flat (5/16 x 5/8 x 1/16")	1	2
6	B	1026926-NLA	NLA - Hardware, Front Wheel	2	1
7		1025730	Locknut (5/16-24)	1	1
8		1026908	Screw, Hex Head (5/16-24 x 2-1/2")	2	1
9		1026160	Spacer (5/16 x 7/16 x 3/8")	4	1
	C	See Chart	Caster Wheels	1	1

NOTE: A - Includes items 2-5  
 B - Includes items 7-9  
 C - Not Shown



# Axles, Camber Bars, and Wheel Attaching Hardware



Axle Position Tube Assemblies	
Suspension	Non-Suspension

## Axles, Camber Bars, and Wheel Attaching Hardware

Item Number	Note	Part Number	Description	Quantity Per	
				Package	Assembly
1		See Chart	#1 Axle Tubes	1	1
2		1065886	Ring, Toe-In/Toe-Out Adjusting	1	2
3		1055347-NLA	NLA - Screw, Hex Head (1/4-28 x 1-1/2")	1	2
3	A,B	1083913	Pin, Quick Release	1	1
4		1026907	Washer (1/4 x 1/2 x 1/16")	1	2
5		1098115-NLA	NLA - Clamp, Camber without Anti-Tip Mount - Right	1	1
5		1098116-NLA	NLA - Clamp, Camber without Anti-Tip Mount - Left	1	1
5		1098117-NLA	NLA - Clamp, Camber with Anti-Tip Mount - Right	1	1
5		1098118-NLA	NLA - Clamp, Camber with Anti-Tip Mount - Left	1	1
6		1065362	Locknut (1/4-28)	1	2
7		1065887-NLA	NLA - Ring, Indexing	1	2
8		1080135-NLA	NLA - Screw, Hex Head w/ Patch (1/4-28 x 3/4")	1	2
9		1025763	Spring, Torsion with Double Button	1	1
10		1055348	Screw, Hex Head (1/4-28 x 1-3/4")	1	2
11		1097976-NLA	NLA - Clamp, Tube	1	1
12		1064265-NLA	NLA - Pin, Quick Release	1	2
13		1066489-NLA	NLA - Screw, Thread Forming (M4 x 16mm)	1	2
14		See Chart	#14 Dual Setting Camber Inserts	1	2
15		1062949-NLA	NLA - Decal, Indexing	1	2
16		1040361	Axle, Quick Release w/ Locknut (1/2" x 5")	1	1
17		1043487-NLA	NLA - Axle, Quad Release	1	1
18	C	1068038-NLA	NLA - Axle, Quick Release (Dome)	1	1
18	D	1113049	Axle, Quick Release w/ Dome Button, Black	1	1
18	E	1065303	Axle, Quick Release w/ Flat Button, Black	1	1

NOTE: A - Not Shown  
 B - Quick Release Pin may be substituted for Screw (item 3).  
 C - Q.R. Axle (1068038) had an Anodized Dome finish. Q.R. Axle part no. 1113049, w/ Black dome button, can be used as a replacement but may want to replace in pairs due to aesthetics.  
 D - Used on all Spoke Rear Wheels except SPIN24, SPIN25, and SPIN26  
 E - Used on SPIN24, SPIN25, and SPIN26 Spoke Rear Wheels

# Axles, Camber Bars, and Wheel Attaching Hardware

## #1 Axle Tubes

14" Wide	15" Wide	16" Wide	17" Wide	18" Wide	19" Wide	20" Wide
1065992-NLA	1065993-NLA	1065994-NLA	1065995-NLA	1065996-NLA	1065997-NLA	1065998-NLA

## #14 Dual Setting Camber Inserts

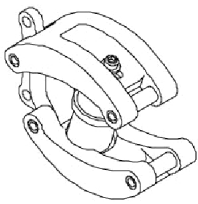
Degree Of Angle	Right	Left
0 Degree - 3 Degree	1066219-NLA	1066229-NLA
0 Degree - 6 Degree	1066220-NLA	1066230-NLA
0 Degree - 9 Degree	1066221-NLA	1066231-NLA
0 Degree - 12 Degree	1066222-NLA	1066232-NLA
3 Degree - 6 Degree	1066223-NLA	1066233-NLA
3 Degree - 9 Degree	1066224-NLA	1066234-NLA
3 Degree - 12 Degree	1066225-NLA	1066235-NLA
6 Degree - 9 Degree	1066226-NLA	1066236-NLA
6 Degree - 12 Degree	1066227-NLA	1066237-NLA
9 Degree - 12 Degree	1066228-NLA	1066238-NLA

# Axle Tube Position Assembly

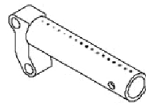
For Suspension Chairs, it is recommended that Axle Tube Position Assemblies be replaced in pairs. First, select a Rear Suspension Assembly. Second, select a Positioning Tube.

When ordering, please state if the Rear Suspension Assembly and Positioning Tubes are to be factory assembled.

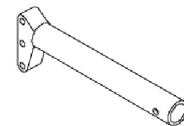
## I. Rear Suspension Assembly



## 2. Positioning Tube for Suspension Chairs



## 3. Positioning Tube for Non-Suspension Chairs



# Axle Tube Position Assembly

For Suspension Chairs, it is recommended that Axle Tube Position Assemblies be replaced in pairs. First, select a Rear Suspension Assembly. Second, select a Positioning Tube.

When ordering, please state if the Rear Suspension Assembly and Positioning Tubes are to be factory assembled.

## #1 Rear Suspension Assembly

User's Weight Range	Part Number	Spring Color
0 lbs to 100 lbs	1093150-NLA	Blue/Blue
101 lbs to 140 lbs	1093151-NLA	Blue/Black
141 lbs to 180 lbs	1093152-NLA	Black/Black
181 lbs to 220 lbs	1093153-NLA	Black/Purple
221 lbs to 250 lbs	1093154-NLA	Purple/Purple

## Axle Tube Position Assembly

For Suspension Chairs, it is recommended that Axle Tube Position Assemblies be replaced in pairs. First, select a Rear Suspension Assembly. Second, select a Positioning Tube.

When ordering, please state if the Rear Suspension Assembly and Positioning Tubes are to be factory assembled.

### #2 Positioning Axle Tubes - Chairs without Amputee Attachments - Suspension Chairs

Wheel Size/ Chair Depth	17" Front STF	18" Front STF	19" Front STF	20" Front STF	21" Front STF
22" / 14" Deep	1098018-NLA	1098018-NLA	1098018-NLA	1098016-NLA	N/A
22" / 15" Deep	1098020-NLA	1098020-NLA	1098020-NLA	1098018-NLA	N/A
22" / 16" Deep	1098022-NLA	1098022-NLA	1098022-NLA	1098020-NLA	N/A
22"/ 17-20" Deep	1098024-NLA	1098024-NLA	1098024-NLA	1098022-NLA	N/A
24" / 14" Deep	1098020-NLA	1098018-NLA	1098018-NLA	1098018-NLA	1098016-NLA
24" / 15" Deep	1098022-NLA	1098020-NLA	1098020-NLA	1098020-NLA	1098018-NLA
24" / 16" Deep	1098024-NLA	1098022-NLA	1098022-NLA	1098022-NLA	1098020-NLA
24"/ 17-20" Deep	1098026-NLA	1098024-NLA	1098024-NLA	1098024-NLA	1098022-NLA
26" / 14" Deep	N/A	1098020-NLA	1098018-NLA	1098018-NLA	1098018-NLA
26" / 15" Deep	N/A	1098022-NLA	1098020-NLA	1098020-NLA	1098020-NLA
26" / 16" Deep	N/A	1098024-NLA	1098022-NLA	1098022-NLA	1098022-NLA
26"/ 17-20" Deep	N/A	1098026-NLA	1098024-NLA	1098024-NLA	1098024-NLA

## Axle Tube Position Assembly

For Suspension Chairs, it is recommended that Axle Tube Position Assemblies be replaced in pairs. First, select a Rear Suspension Assembly. Second, select a Positioning Tube.

When ordering, please state if the Rear Suspension Assembly and Positioning Tubes are to be factory assembled.

### #2 Positioning Axle Tubes - Chairs with Amputee Attachments - Suspension Chairs

Wheel Size/ Chair Depth	17" Front STF	18" Front STF	19" Front STF	20" Front STF	21" Front STF
22" / 14" Deep	1098026-NLA	1098026-NLA	1098026-NLA	1098024-NLA	N/A
22" / 15" Deep	1098028-NLA	1098028-NLA	1098028-NLA	1098026-NLA	N/A
22" / 16" Deep	1098030-NLA	1098030-NLA	1098030-NLA	1098028-NLA	N/A
22"/ 17-20" Deep	1098032-NLA	1098032-NLA	1098032-NLA	1098030-NLA	N/A
24" / 14" Deep	1098028-NLA	1098026-NLA	1098026-NLA	1098026-NLA	1098024-NLA
24" / 15" Deep	1098030-NLA	1098028-NLA	1098028-NLA	1098028-NLA	1098026-NLA
24" / 16" Deep	1098032-NLA	1098030-NLA	1098030-NLA	1098030-NLA	1098028-NLA
24"/ 17-20" Deep	1098034-NLA	1098032-NLA	1098032-NLA	1098032-NLA	1098030-NLA
26" / 14" Deep	N/A	1098028-NLA	1098026-NLA	1098026-NLA	1098026-NLA
26" / 15" Deep	N/A	1098030-NLA	1098030-NLA	1098028-NLA	1098028-NLA
26" / 16" Deep	N/A	1098032-NLA	1098032-NLA	1098030-NLA	1098030-NLA
26"/ 17-20" Deep	N/A	1098034-NLA	1098034-NLA	1098032-NLA	1098032-NLA

## Axle Tube Position Assembly

For Suspension Chairs, it is recommended that Axle Tube Position Assemblies be replaced in pairs. First, select a Rear Suspension Assembly. Second, select a Positioning Tube.

When ordering, please state if the Rear Suspension Assembly and Positioning Tubes are to be factory assembled.

### #3 Positioning Axle Tubes - Chairs without Amputee Attachments - Non-Suspension Chairs

Wheel Size/ Chair Depth	17" Front STF	18" Front STF	19" Front STF	20" Front STF	21" Front STF
22" / 14" Deep	1098088-NLA	1098088-NLA	1098086-NLA	1098086-NLA	N/A
22" / 15" Deep	1098088-NLA	1098088-NLA	1098086-NLA	1098086-NLA	N/A
22" / 16" Deep	1098088-NLA	1098088-NLA	1098086-NLA	1098086-NLA	N/A
22"/ 17-20" Deep	1098088-NLA	1098088-NLA	1098086-NLA	1098086-NLA	N/A
24" / 14" Deep	1098088-NLA	1098088-NLA	1098088-NLA	1098086-NLA	1098086-NLA
24" / 15" Deep	1098088-NLA	1098088-NLA	1098088-NLA	1098086-NLA	1098086-NLA
24" / 16" Deep	1098088-NLA	1098088-NLA	1098088-NLA	1098086-NLA	1098086-NLA
24"/ 17-20" Deep	1098088-NLA	1098088-NLA	1098088-NLA	1098086-NLA	1098086-NLA
26" / 14" Deep	N/A	1098088-NLA	1098088-NLA	1098088-NLA	1098086-NLA
26" / 15" Deep	N/A	1098088-NLA	1098088-NLA	1098088-NLA	1098086-NLA
26" / 16" Deep	N/A	1098088-NLA	1098088-NLA	1098088-NLA	1098086-NLA
26"/ 17-20" Deep	N/A	1098088-NLA	1098088-NLA	1098088-NLA	1098086-NLA



## Axle Tube Position Assembly

For Suspension Chairs, it is recommended that Axle Tube Position Assemblies be replaced in pairs. First, select a Rear Suspension Assembly. Second, select a Positioning Tube.

When ordering, please state if the Rear Suspension Assembly and Positioning Tubes are to be factory assembled.

### #3 Positioning Axle Tubes - Chairs with Amputee Attachments - Non-Suspension Chairs

Wheel Size/ Chair Depth	17" Front STF	18" Front STF	19" Front STF	20" Front STF	21" Front STF
22" / 14" Deep	1098096-NLA	1098096-NLA	1098094-NLA	1098094-NLA	N/A
22" / 15" Deep	1098096-NLA	1098096-NLA	1098094-NLA	1098094-NLA	N/A
22" / 16" Deep	1098096-NLA	1098096-NLA	1098094-NLA	1098094-NLA	N/A
22"/ 17-20" Deep	1098096-NLA	1098096-NLA	1098094-NLA	1098094-NLA	N/A
24" / 14" Deep	1098096-NLA	1098096-NLA	1098096-NLA	1098094-NLA	1098094-NLA
24" / 15" Deep	1098096-NLA	1098096-NLA	1098096-NLA	1098094-NLA	1098094-NLA
24" / 16" Deep	1098096-NLA	1098096-NLA	1098096-NLA	1098094-NLA	1098094-NLA
24"/ 17-20" Deep	1098026-NLA	1098096-NLA	1098096-NLA	1098094-NLA	1098094-NLA
26" / 14" Deep	N/A	1098096-NLA	1098096-NLA	1098094-NLA	1098094-NLA
26" / 15" Deep	N/A	1098096-NLA	1098096-NLA	1098094-NLA	1098094-NLA
26" / 16" Deep	N/A	1098096-NLA	1098096-NLA	1098094-NLA	1098094-NLA
26"/ 17-20" Deep	N/A	1098096-NLA	1098096-NLA	1098094-NLA	1098024-NLA

## Composite Rear Wheels (without Handrims)

Wheel Style	Wheel Size	Tire Type	Wheel Single #	Tire	Tube/ Insert	Bearing	Hub Spacer
22COM	22 x 1-1/4"	Urethane	1032116	1028250	N/A	40117X022	1015756
22COM	22 x 1-3/8"	Pneumatic	1026420	1018544	1018545	40117X022	1015756
22COM	22 x 1-3/8"	Pneumatic w/ Flat Free	1026421	1018544	1023323	40117X022	1015756
24COM7	24 x 1-1/4"	Urethane	1032118	1026904	N/A	40117X022	1015756
24COM7	24 x 1-1/4"	KIK	1091330	1062852	N/A	40117X022	1015756
24COM7	24 x 1-3/8"	Pneumatic	1026362-NLA	40176X060	40176X061	40117X022	1015756
24COM7	24 x 1-3/8"	Pneumatic w/ Flat Free	1026363	40176X060	1010906	40117X022	1015756
3SCF	25"	559 Primo See Note(s) A	1064552-NLA	1044947	1029471	N/A	N/A

NOTE: A - The 3 Spoke Carbon Fiber Wheel comes with the Handrim already attached.

## Wheels - Rear w/o Handrims - Spoke (After 9/1/11)

Item Number	Note	Part Number	Description	Quantity Per	
				Package	Assembly
	A	1030936	Plug, Valve Stem	1	1
	A	See Chart	Wheels without Handrims - Spoke	1	1

NOTE: A - Not Shown

## Wheels - Rear w/o Handrims - Lightweight Performance (ITESPK)

Wheel Style	Wheel Size	Tire Type	Wheel Assembly	Tire	Tube Insert	Bearing	Hub Spacer
22ITESPK	22"	Pneumatic	1176799-NLA	1018544	1018545	N/A	N/A
22ITESPK	22"	Pneumatic w/ Flat Free	1176800-NLA	1018544	1023323	N/A	N/A
24ITESPK	24"	Pneumatic	1176802	1026138	1032240	N/A	N/A
26ITESPK	26"	Pneumatic	1176803-NLA	N/A	N/A	N/A	N/A

## Wheels - Rear w/o Handrims - Standard Performance (SP)

Wheel Style	Wheel Size	Tire Type	Wheel Assembly	Tire	Tube Insert	Bearing	Hub Spacer
24SP	24"	Continental	1116705-NLA See Note(s) A	1026139-NLA	N/A	40117X021	1015756
24SP	24"	Pneumatic	1115660 See Note(s) A	40176X060	40176X061	40117X021	1015756
24SP	24"	Pneumatic w/ Flat Free	1116707 See Note(s) B, A	40176X060	1010906	40117X021	1015756
24SP	24"	KIK	1114112 See Note(s) A	1062852	N/A	40117X021	1015756
26SP	26"	Continental	1116721-NLA See Note(s) A	1026143-NLA	N/A	40117X021	1015756
26SP	26"	Primo	1116723-NLA See Note(s) A	1029470	1029471	40117X021	1015756

NOTE: A - Stem Hole Plugs (Part Number 1030936) are used with Flat Free and Urethane Tires.  
B - As of (11/08/02) these wheels now have a Black finish. For chairs built Before (11/08/02), it is recommended when one wheel is requested that the wheels be replaced in pairs.

## Wheels - Rear w/o Handrims - Spoke (After 9/1/11)

### Wheels - Rear w/o Handrims - High Performance (HPS)

Wheel Style	Wheel Size	Tire Type	Wheel Assembly	Tire	Tube Insert	Bearing	Hub Spacer
24HPS	24"	Continental	1116713-NLA See Note(s) A	1026139-NLA	N/A	40117X021	1015756
24HPS	24"	Pneumatic	1116709-NLA See Note(s) B, A	40176X060	40176X061	40117X021	1015756
24HPS	24"	Pneumatic (Pair)	1116710	40176X060	40176X061	40117X021	1015756
24HPS	24"	Pneumatic w/ Flat Free	1116715 See Note(s) D, A	40176X060	1010906	40117X021	1015756
24HPS	24"	Primo	1116711 See Note(s) A	1026138	1032240	40117X021	1015756
24HPS	24"	KIK	1114138 See Note(s) A	1062852	N/A	40117X021	1015756
26HPS	26"	Continental	1115653-NLA See Note(s) C	1026143-NLA	N/A	40117X021	1015756
26HPS	26"	Pneumatic	1115652-NLA See Note(s) C	1026142	1026140	40117X021	1015756
26HPS	26"	Pneumatic	1116725-NLA	N/A	N/A	N/A	N/A
26HPS	26"	Primo	1115654 See Note(s) A	1029470	1029471	40117X021	1015756

NOTE: A - As of (11/08/02) these wheels now have a Black finish. For chairs built Before (11/08/02), it is recommended when one wheel is requested that the wheels be replaced in pairs.  
 B - Wheels must be replaced in pairs. See Part number (1116710) for replacement.  
 C - No longer available as an individual service part. Wheel must be replaced in pairs, use 1116725 as its replacement.  
 D - Stem Hole Plugs (1030936) are used with Flat Free and Urethane Tires.

## Wheels - Rear w/o Handrims - Spoke (After 9/1/11)

### Wheels - Rear w/o Handrims - Spinergy (SPIN)

Wheel Style	Wheel Size	Tire Type	Wheel Assembly	Tire	Tube Insert	Bearing	Hub Spacer
SPIN24	24"	Primo (Single #)	1112338-NLA See Note(s) B, A	1026138	1105941	40117X021	N/A
SPIN24	24"	Primo (1 Pair)	1112353-NLA See Note(s) B, A	1026138	1105941	1104350	N/A
SPIN25	25"	Primo (Single #)	1112348-NLA See Note(s) B, A	1044947	1104326	1104350	N/A
SPIN25	25"	Primo (1 Pair)	1112354-NLA See Note(s) B, A	1044947	1104326	1104350	N/A
SPIN26	26"	Primo (Single #)	1112343-NLA See Note(s) B, A	1029470	1104326	1104350	N/A
SPIN26	26"	Primo (1 Pair)	1112355-NLA See Note(s) A, B	1029470	1104326	1104350	N/A

NOTE: A - As of (7/15/02) Spinergy Wheels now have 18 spokes instead of 30. For chairs built Before (7/15/02), it is recommended when one wheel is requested that the wheels be replaced in pairs.  
B - As of (11/17/08) Spinergy Wheels changed from black spoke, black hub to a black spoke, silver hub appearance. For chairs built Before (11/17/08), it is recommended when one wheel is requested that the wheels be replaced in pairs.

### Wheels - Rear w/o Handrims - Miscellaneous (559TS, 700SP)

Wheel Style	Wheel Size	Tire Type	Wheel Assembly	Tire	Tube Insert	Bearing	Hub Spacer
559TS	25"	Primo	1116717-NLA See Note(s) A	1044947	1029471	40117X021	1015756
700SP	27"	Umma Gumma	1116727-NLA See Note(s) A	1045836-NLA	1045837-NLA	40117X021	1015756

NOTE: A - As of (11/08/02) these wheels now have a Black finish. For chairs built Before (11/08/02), it is recommended when one wheel is requested that the wheels be replaced in pairs.

## Spoke Rear Wheels (w/o Handrims) (Before 9/2/11)

Wheel Style	Wheel Size	Tire Type	Wheel Assembly	Tire	Tube Insert	Bearing	Hub Spacer
22SP	22 x 1-3/8"	Pneumatic	1115656-NLA See Note(s) C	1018544	1018545	40117X021	1015756
22SP	22 x 1-3/8"	Pneumatic w/ Flat Free	1115658-NLA See Note(s) C, A	1018544	1023323	40117X021	1015756
24SP	24"	Continental	1116705-NLA See Note(s) C	1026139-NLA	N/A	40117X021	1015756
24SP	24"	Pneumatic	1115660 See Note(s) C	40176X060	40176X061	40117X021	1015756
24SP	24"	Pneumatic w/ Flat Free	1116707 See Note(s) C, A	40176X060	1010906	40117X021	1015756
24SP	24"	Primo	1115662-NLA See Note(s) C	1026138	1032240	40117X021	1015756
24SP	24"	KIK	1114112 See Note(s) C	1062852	N/A	40117X021	1015756
24HPS	24"	Continental	1116713-NLA See Note(s) C	1026139-NLA	N/A	40117X021	1015756
24HPS	24"	Pneumatic	1116709-NLA See Note(s) E, C	40176X060	40176X061	40117X021	1015756
24HPS	24"	Pneumatic (Pair)	1116710	40176X060	40176X061	40117X021	1015756
24HPS	24"	Pneumatic w/ Flat Free	1116715 See Note(s) C, A	40176X060	1010906	40117X021	1015756
24HPS	24"	Primo	1116711 See Note(s) C	1026138	1032240	40117X021	1015756
24HPS	24"	KIK	1114138 See Note(s) C	1062852	N/A	40117X021	1015756
SPIN24	24"	Primo (Single #)	1112338-NLA See Note(s) D, B	1026138	1105941	40117X021	N/A
SPIN24	24"	Primo (1 Pair)	1112353-NLA See Note(s) D, B	1026138	1105941	1104350	N/A
559TS	25"	Primo	1116717-NLA See Note(s) C	1044947	1029471	40117X021	1015756
SPIN25	25"	Primo (Single #)	1112348-NLA See Note(s) D, B	1044947	1104326	1104350	N/A
SPIN25	25"	Primo (1 Pair)	1112354-NLA See Note(s) D, B	1044947	1104326	1104350	N/A
26HPS	26"	Continental	1115653-NLA See Note(s) C	1026143-NLA	N/A	40117X021	1015756
26HPS	26"	Pneumatic	1115652-NLA See Note(s) F, C	1026142	1026140	40117X021	1015756
26HPS	26"	Pneumatic	1116725-NLA	N/A	N/A	N/A	N/A
26HPS	26"	Primo	1115654 See Note(s) C	1029470	1029471	40117X021	1015756
SPIN26	26"	Primo (Single #)	1112343-NLA See Note(s) D, B	1029470	1104326	1104350	N/A

## Spoke Rear Wheels (w/o Handrims) (Before 9/2/11)

Wheel Style	Wheel Size	Tire Type	Wheel Assembly	Tire	Tube Insert	Bearing	Hub Spacer
SPIN26	26"	Primo (1 Pair)	1112355-NLA See Note(s) D, B	1029470	1104326	1104350	N/A
26SP	26"	Continental	1116721-NLA See Note(s) C	1026143-NLA	N/A	40117X021	1015756
26SP	26"	Pneumatic	1116719-NLA See Note(s) C	1026142	1026140	40117X021	1015756
26SP	26"	Primo	1116723-NLA See Note(s) C	1029470	1029471	40117X021	1015756
700SP	27"	Umma Gumma	1116727-NLA See Note(s) C	1045836-NLA	1045837-NLA	40117X021	1015756

NOTE: A - Stem Hole Plugs (Part Number 1030936) are used with Flat Free and Urethane Tires.  
 B - As of 7/15/02 Spinergy Wheels now have 18 spokes instead of 30. For chairs built Before 7/15/02, it is recommended when one wheel is requested that the wheels be replaced in pairs.  
 C - As of 11/08/02 these wheels now have a Black finish. For chairs built Before 11/08/02, it is recommended when one wheel is requested that the wheels be replaced in pairs.  
 D - As of 11/17/08 Spinergy Wheels changed from black spoke, black hub to a black spoke, silver hub appearance. For chairs built Before 11/17/08, it is recommended when one wheel is requested that the wheels be replaced in pairs.  
 E - Wheels must be replaced in pairs. See Part number 1116710 for replacement.  
 F - No longer available as an individual service part. Wheel must be replaced in pairs, use 1116725 as its replacement.

## Spoke Rear Wheels (w/o Handrims) (Before 9/2/11)

Item Number	Note	Part Number	Description	Quantity Per	
				Package	Assembly
	A	1030936	Plug, Valve Stem	1	1
	A	See Chart	Wheels without Handrims - Spoke	1	1

NOTE: A - Not Shown



# Wheels - Rear w/ Handrims - Spoke

(After 9/1/11)

## Wheels - Rear w/ Handrims - Lightweight Performance (ITESPK)

When ordering a Spoke Wheel with Handrim attached, the standard rim mounting process uses the outside holes of the handrim mounting tabs. To use the inside holes to reduce the overall width of the chair, you must order the wheel and handrim assembled as a special order.

Wheel Style	Tire Type	Anodized Aluminum Wheel Assembly	Grey Plastic Coated	Black Plastic Coated	8 Vertical Projection	8 Oblique Projection
22ITESPK	Pneumatic	1176801	N/A	N/A	N/A	N/A

## Wheels - Rear w/ Handrims - Standard Performance (SP)

When ordering a Spoke Wheel with Handrim attached, the standard rim mounting process uses the outside holes of the handrim mounting tabs. To use the inside holes to reduce the overall width of the chair, you must order the wheel and handrim assembled as a special order.

Wheel Style	Tire Type	Anodized Aluminum Wheel Assembly	Grey Plastic Coated	Black Plastic Coated	8 Vertical Projection	8 Oblique Projection
22SP	Pneumatic with Flat Free	1115590-NLA See Note(s) A	1049456-NLA	1115593	1115426-NLA	N/A
24SP	Pneumatic	1115594-NLA See Note(s) A	1049460-NLA	1115599	1115427-NLA	1115428-NLA
24SP	Pneumatic with Flat Free	1115597 See Note(s) A	1049465-NLA	1115601	1115429-NLA	1115430-NLA
24SP	Primo	1115602-NLA See Note(s) A	1049470-NLA	1115603-NLA	1115431-NLA	1115432-NLA
24SP	Continental	1115606-NLA See Note(s) A	1049475-NLA	1115607-NLA	1115433-NLA	1115434-NLA
24SP	KIK	1115645 See Note(s) A	1091332-NLA	1115646	1115447-NLA	1115448-NLA
26SP	Pneumatic	1115613-NLA See Note(s) A	1049484-NLA	1115614-NLA	1115436-NLA	N/A
26SP	Primo	1115616-NLA See Note(s) A	1049488-NLA	1115617-NLA	1115437-NLA	N/A
26SP	Continental	1115619-NLA See Note(s) A	1049492-NLA	1115620-NLA	1115438-NLA	N/A

NOTE: A - As of (11/8/02) these wheels now have a Black finish. For chairs built Before (11/8/02), it is recommended when one wheel is requested that the wheels be replaced in pairs.

# Wheels - Rear w/ Handrims - Spoke

(After 9/1/11)

## Wheels - Rear w/ Handrims - High Performance (HPS)

When ordering a Spoke Wheel with Handrim attached, the standard rim mounting process uses the outside holes of the handrim mounting tabs. To use the inside holes to reduce the overall width of the chair, you must order the wheel and handrim assembled as a special order.

Wheel Style	Tire Type	Anodized Aluminum Wheel Assembly	Grey Plastic Coated	Black Plastic Coated	8 Vertical Projection	8 Oblique Projection
24HPS	Pneumatic	1115622 See Note(s) A	1049496-NLA	1115623-NLA	1115439-NLA	N/A
24HPS	Pneumatic with Flat Free	1115625-NLA See Note(s) A	1049500-NLA	1115626-NLA	1115440-NLA	N/A
24HPS	Primo	1115628 See Note(s) A	1049504-NLA	1115629	1115441-NLA	N/A
24HPS	Continental	1115631-NLA See Note(s) A	1049508-NLA	1115632-NLA	1115442-NLA	N/A
24HPS	KIK	1115649 See Note(s) A	1091337-NLA	1115650	1115449-NLA	N/A
26HPS	Pneumatic	1115636-NLA See Note(s) A	1049555-NLA	1115637	1115444-NLA	N/A
26HPS	Primo	1115639-NLA See Note(s) A	1049559-NLA	1115640	1115445-NLA	N/A

NOTE: A - As of (11/8/02) these wheels now have a Black finish. For chairs built Before (11/8/02), it is recommended when one wheel is requested that the wheels be replaced in pairs.

## Wheels - Rear w/ Handrims - Spinerger (SPIN)

When ordering a Spoke Wheel with Handrim attached, the standard rim mounting process uses the outside holes of the handrim mounting tabs. To use the inside holes to reduce the overall width of the chair, you must order the wheel and handrim assembled as a special order.

Wheel Style	Tire Type	Anodized Aluminum Wheel Assembly	Grey Plastic Coated	Black Plastic Coated	8 Vertical Projection	8 Oblique Projection
SPIN24 See Note(s) A, B	Primo	1112339 See Note(s) A	N/A	N/A	N/A	N/A
SPIN25	Primo	1112349-NLA See Note(s) B, A	N/A	N/A	N/A	N/A
SPIN26	Primo See Note(s) A	1112344-NLA See Note(s) B, A	N/A	N/A	N/A	N/A

NOTE: A - As of (7/15/02) Spinerger Wheels now have 18 spokes instead of 30. For chairs built Before (7/15/02), it is recommended when one wheel is requested that the wheels be replaced in pairs.  
B - As of (11/17/08) Spinerger Wheels changed from black spoke, black hub to a black spoke, silver hub appearance. For chairs built Before (11/17/08), it is recommended when one wheel is requested that the wheels be replaced in pairs.

# Wheels - Rear w/ Handrims - Spoke

**(After 9/1/11)**

## Wheels - Rear w/ Handrims - Miscellaneous (559TS, 700SP)

**When ordering a Spoke Wheel with Handrim attached, the standard rim mounting process uses the outside holes of the handrim mounting tabs. To use the inside holes to reduce the overall width of the chair, you must order the wheel and handrim assembled as a special order.**

Wheel Style	Tire Type	Anodized Aluminum Wheel Assembly	Grey Plastic Coated	Black Plastic Coated	8 Vertical Projection	8 Oblique Projection
559TS	Primo	1115610 See Note(s) A	1049480-NLA	1115611-NLA	1115435-NLA	N/A
700SP	Umma Gumma	1115634 See Note(s) A	1049553-NLA	N/A	N/A	N/A
NOTE: A - As of (11/8/02) these wheels now have a Black finish. For chairs built Before (11/8/02), it is recommended when one wheel is requested that the wheels be replaced in pairs.						

## Spoke Rear Wheels (w/ Handrims) (Before 9/2/11)

**When ordering a Spoke Wheel with Handrim attached, the standard rim mounting process uses the outside holes of the handrim mounting tabs. To use the inside holes to reduce the overall width of the chair, you must order the wheel and handrim assembled as a special order.**

Wheel Style	Tire Type	Anodized Aluminum	Grey Plastic Coated	Black Plastic Coated	8 Vertical Projection	8 Oblique Projection
22SP	Pneumatic	1115588-NLA See Note(s) B	1049452-NLA	1115591-NLA See Note(s) B	1115425-NLA See Note(s) B	N/A
22SP	Pneumatic with Flat Free	1115590-NLA See Note(s) B	1049456-NLA	1115593 See Note(s) B	1115426-NLA See Note(s) B	N/A
24SP	Pneumatic	1115594-NLA See Note(s) B	1049460-NLA	1115599 See Note(s) B	1115427-NLA See Note(s) B	1115428-NLA See Note(s) B
24SP	Pneumatic with Flat Free	1115597 See Note(s) B	1049465-NLA	1115601 See Note(s) B	1115429-NLA See Note(s) B	1115430-NLA See Note(s) B
24SP	Primo	1115602-NLA See Note(s) B	1049470-NLA	1115603-NLA See Note(s) B	1115431-NLA See Note(s) B	1115432-NLA See Note(s) B
24SP	Continental	1115606-NLA See Note(s) B	1049475-NLA	1115607-NLA See Note(s) B	1115433-NLA See Note(s) B	1115434-NLA See Note(s) B
24SP	KIK	1115645 See Note(s) B	1091332-NLA	1115646 See Note(s) B	1115447-NLA See Note(s) B	1115448-NLA See Note(s) B
24HPS	Pneumatic	1115622 See Note(s) B	1049496-NLA	1115623-NLA See Note(s) B	1115439-NLA See Note(s) B	N/A
24HPS	Pneumatic with Flat Free	1115625-NLA See Note(s) B	1049500-NLA	1115626-NLA See Note(s) B	1115440-NLA See Note(s) B	N/A
24HPS	Primo	1115628 See Note(s) B	1049504-NLA	1115629 See Note(s) B	1115441-NLA See Note(s) B	N/A
24HPS	Continental	1115631-NLA See Note(s) B	1049508-NLA	1115632-NLA See Note(s) B	1115442-NLA See Note(s) B	N/A
24HPS	KIK	1115649 See Note(s) B	1091337-NLA	1115650 See Note(s) B	1115449-NLA See Note(s) B	N/A
SPIN24	Primo	1112339 See Note(s) A, C	N/A	N/A	N/A	N/A
559TS	Primo	1115610 See Note(s) B	1049480-NLA	1115611-NLA See Note(s) B	1115435-NLA See Note(s) B	N/A
SPIN25	Primo	1112349-NLA See Note(s) C, A	N/A	N/A	N/A	N/A
26SP	Pneumatic	1115613-NLA See Note(s) B	1049484-NLA	1115614-NLA See Note(s) B	1115436-NLA See Note(s) B	N/A
26SP	Primo	1115616-NLA See Note(s) B	1049488-NLA	1115617-NLA See Note(s) B	1115437-NLA See Note(s) B	N/A
26SP	Continental	1115619-NLA See Note(s) B	1049492-NLA	1115620-NLA See Note(s) B	1115438-NLA See Note(s) B	N/A
26HPS	Pneumatic	1115636-NLA See Note(s) B	1049555-NLA	1115637 See Note(s) B	1115444-NLA See Note(s) B	N/A
26HPS	Primo	1115639-NLA See Note(s) B	1049559-NLA	1115640 See Note(s) B	1115445-NLA See Note(s) B	N/A
SPIN26	Primo See Note(s) A	1112344-NLA See Note(s) C, A	N/A	N/A	N/A	N/A

## Spoke Rear Wheels (w/ Handrims) (Before 9/2/11)

**When ordering a Spoke Wheel with Handrim attached, the standard rim mounting process uses the outside holes of the handrim mounting tabs. To use the inside holes to reduce the overall width of the chair, you must order the wheel and handrim assembled as a special order.**

Wheel Style	Tire Type	Anodized Aluminum	Grey Plastic Coated	Black Plastic Coated	8 Vertical Projection	8 Oblique Projection
700SP	Umma Gumma	1115634 See Note(s) B	1049553-NLA	N/A	N/A	N/A
<p><b>NOTE:</b> A - As of 7/15/02 Spinergey Wheels now have 18 spokes instead of 30. For chairs built Before 7/15/02, it is recommended when one wheel is requested that the wheels be replaced in pairs.</p> <p>B - As of 11/8/02 these wheels now have a Black finish. For chairs built Before 11/8/02, it is recommended when one wheel is requested that the wheels be replaced in pairs.</p> <p>C - As of 11/17/08 Spinergey Wheels changed from black spoke, black hub to a black spoke, silver hub appearance. For chairs built Before 11/17/08, it is recommended when one wheel is requested that the wheels be replaced in pairs.</p> <p>When ordering a Spoke Wheel with Handrim attached, the standard rim mounting process uses the outside holes of the handrim mounting tabs. To use the inside holes to reduce the overall width of the chair, you must order the wheel and handrim assembled as a special order.</p>						

# Handrims

## Non Projection Handrims

Wheel Style	Anodized Aluminum	Grey Plastic Coated	Black Plastic Coated
22COM	1033373	1026419-NLA See Note(s) A	1115401
22SP	1043443	1043499-NLA See Note(s) A	1043689-NLA
24COM7	1033372	1015784-NLA See Note(s) A	1115397
24SP	1026136	1029483-NLA See Note(s) A	1035612
SPIN24 (30 Spoke)	1026136	1029483-NLA See Note(s) A	1035612
SPIN24 (18 Spoke)	1114300	N/A	N/A
24HPS	1026136	1029483-NLA See Note(s) A	1035612
559TS	1029493	1043251-NLA See Note(s) A	1043249
SPIN25 (30 Spoke)	1029493	1043251-NLA See Note(s) A	1043249
SPIN25 (18 Spoke)	1114301-NLA	N/A	N/A
26SP	1026137	1029484-NLA See Note(s) A	1035613
SPIN26 (30 Spoke)	1026137	1029484-NLA See Note(s) A	1035613
SPIN26 (18 Spoke)	1114302-NLA See Note(s) B	N/A	N/A
26HPS	1026137	1029484-NLA See Note(s) A	1035613
700SP See Note(s) A	1047086-NLA	1047087-NLA See Note(s) A	1115413-NLA

NOTE: A - Grey plastic coated handrim is no longer available; if a replacement is needed, order the black plastic coated as replacement in pairs so the handrims on both sides of the chair match.  
B - Part No Longer Available individually. See Part # 1112344 for replacement.

# Handrims

## Projection Handrims

Wheel Style	8 Vertical Projections (Grey)	8 Oblique Projections (Grey)	12 Vertical Projections (Grey)	8 Vertical Projections (Black)	8 Oblique Projections (Black)	12 Vertical Projections (Black)
22COM	1046922-NLA See Note(s) A	N/A	N/A	1115412	N/A	N/A
22SP	1045506-NLA See Note(s) A	N/A	N/A	1115407	N/A	N/A
24COM7	1015432-NLA See Note(s) A	1015434-NLA See Note(s) A	1015433-NLA See Note(s) A	1115394	1115396	1115395
24SP	1115408-NLA See Note(s) A	1045510-NLA See Note(s) A	N/A	1115408-NLA	1115411-NLA	N/A
SPIN24 (30 Spoke)	1115408-NLA See Note(s) A	1045510-NLA See Note(s) A	N/A	1115408-NLA	1115411-NLA	N/A
SPIN24 (18 Spoke)	N/A	N/A	N/A	N/A	N/A	N/A
24HPS	1115408-NLA See Note(s) A	1045510-NLA See Note(s) A	N/A	1115408-NLA	1115411-NLA	N/A
559TS	1045508-NLA See Note(s) A	N/A	N/A	1115409-NLA	N/A	N/A
SPIN25 (30 Spoke)	1045508-NLA See Note(s) A	N/A	N/A	1115409-NLA	N/A	N/A
SPIN25 (18 Spoke)	N/A	N/A	N/A	N/A	N/A	N/A
26SP	1045509-NLA See Note(s) A	N/A	N/A	1115410-NLA	N/A	N/A
SPIN26 (30 Spoke)	1045509-NLA See Note(s) A	N/A	N/A	1115410-NLA	N/A	N/A
SPIN26 (18 Spoke)	N/A	N/A	N/A	N/A	N/A	N/A
26HPS	1045509-NLA See Note(s) A	N/A	N/A	1115410-NLA	N/A	N/A
700SP	N/A	N/A	N/A	N/A	N/A	N/A

NOTE: A - Grey plastic coated handrim is no longer available; if a replacement is needed, order the black plastic coated as replacement in pairs so the handrims on both sides of the chair match.

## Handrim Hardware

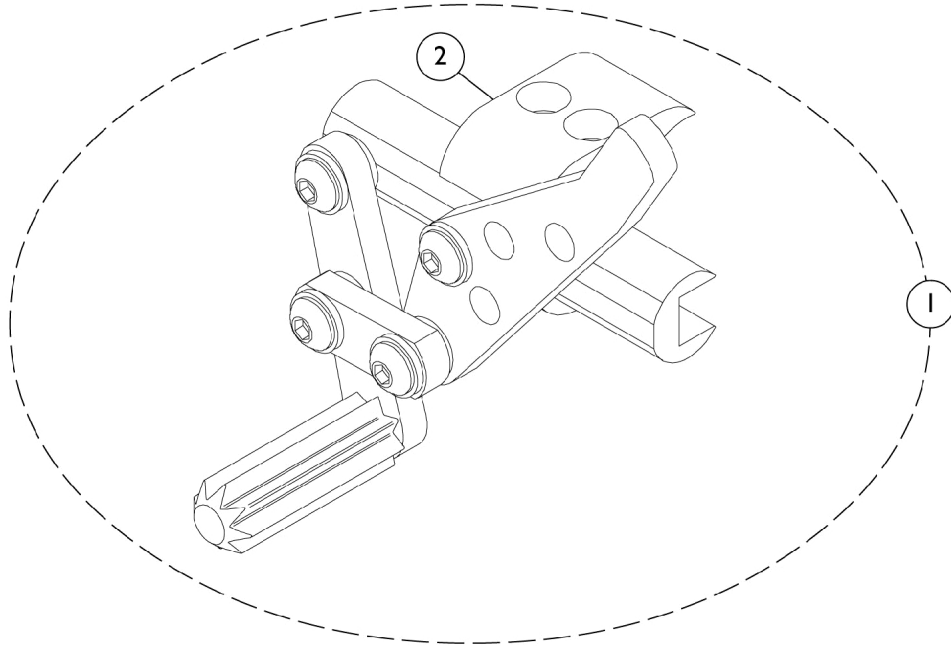
### (Hardware Kits To Attach A Single Handrim Only)

Wheel Style	Anodized Aluminum	Grey/Black Plastic Coated	8 Vertical Projections	8 Oblique Projections	12 Vertical Projections
22COM	1026384	1026383	1026380	N/A	N/A
22SP	1043708	1043708	1026910	N/A	N/A
24COM7	1026384	1026383	1026380	1026381	1026382
24SP	1026910	1026910	1026910	1026910	N/A
SPIN24	1026910	N/A	N/A	N/A	N/A
24HPS	1026910	1026910	1026910	1026910	N/A
559TS	1026910	1026910	1026910	N/A	N/A
3SCF	N/A	N/A	N/A	N/A	N/A
SPIN25	1026910	N/A	N/A	N/A	N/A
26SP	1026910	1026910	1026910	N/A	N/A
26HPS	1026910	1026910	1026910	N/A	N/A
SPIN26	1026910	N/A	N/A	N/A	N/A
700SP	1026910	N/A	N/A	N/A	N/A



# High Mount Wheel Lock

## Push to Lock



## High Mount Wheel Lock Push to Lock

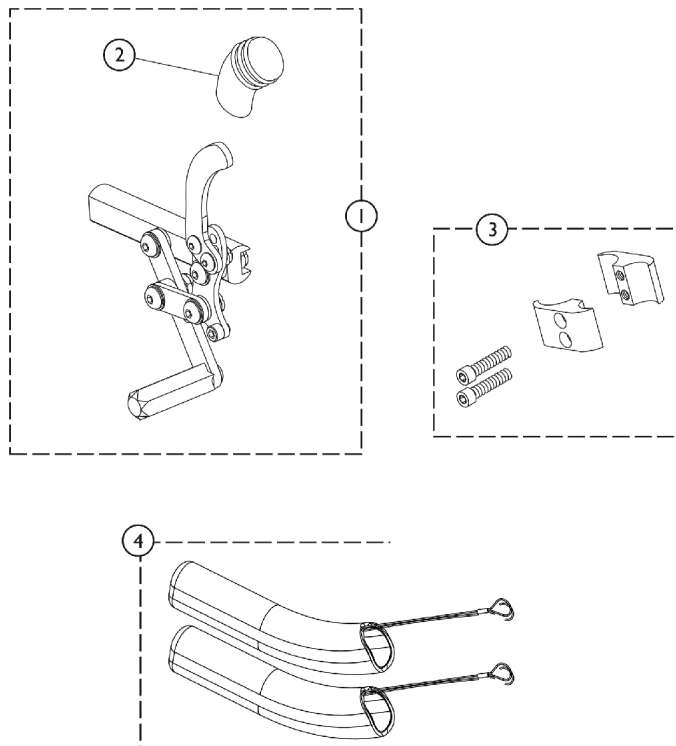
Item Number	Note	Part Number	Description	Quantity Per	
				Package	Assembly
1	A	1046406-NLA	NLA - Wheel Lock, High Mount, Push to Lock - Right	1	1
1	A	1046407-NLA	NLA - Wheel Lock, High Mount, Push to Lock - Left	1	1
1		1125459	Wheel Lock Assembly, Push/Pull - Right	1	1
1		1125460	Wheel Lock Assembly, Push/Pull - Left	1	1
2		1068210-NLA	Kit, Wheel Lock Attaching Hardware (1" Tubing)	1	1
			Screw, Allen Head (1/4-20 x 1")	1	2
			Clamp, Half, Non-Threaded	1	1
			Clamp, Half, Threaded	1	1

**NOTE:** A - No Longer Available. Order Push/Pull Wheel Locks 1125459 RT and 1125460 LT as a pair to match.

# Wheel Locks

## Push/Pull to Lock

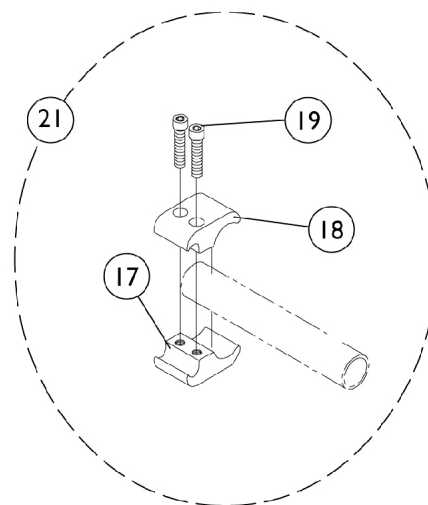
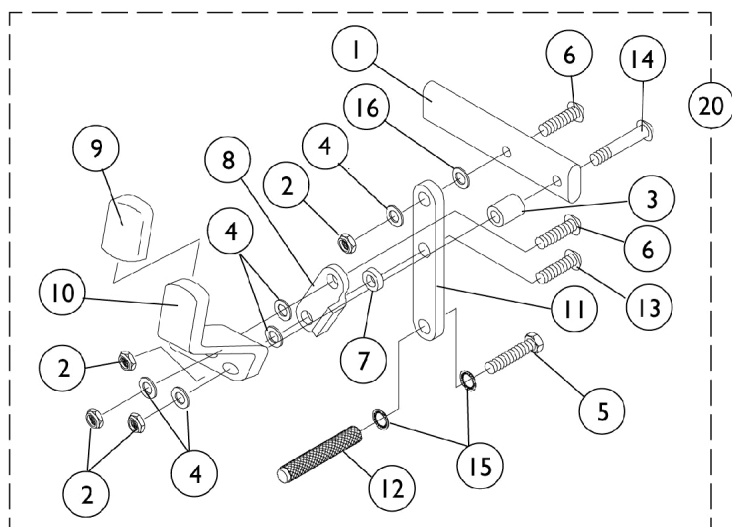
Wheel Locks can be converted from Push to Pull or Pull to Push. See Prospin X4 Owner's Manual (1125104) for instructions.



Item Number	Note	Part Number	Description	Quantity Per	
				Package	Assembly
1	A,C	1125459	Wheel Lock Assembly, Push/Pull - Right	1	1
1	A,C	1125460	Wheel Lock Assembly, Push/Pull - Left	1	1
1	B,C	1134129	Wheel Lock Assembly, Push/Pull for Amputee - Right	1	1
1	B,C	1134130	Wheel Lock Assembly, Push/Pull for Amputee - Left	1	1
2		1130584	Package, Cap, Brake Lever End, Black	10	1
3	D	1068210-NLA	Kit, Wheel Lock Attaching Hardware (1" Tubing)	1	1
			Screw, Allen Head (1/4-20 x 1")	1	2
			Clamp, Half, Non-Threaded	1	1
			Clamp, Half, Threaded	1	1
4		1146498	Handle, Wheel Lock Extension, Black (6") (Pair)	1	2

NOTE: A - Chairs without Amputee Attachment. Push/Pull Wheel Locks serve as replacements for High Mount Push to Lock that is No Longer Available. Order in pairs to match.  
 B - Chairs with Amputee Attachment  
 C - Wheel Locks can be converted from Push to Pull or Pull to Push. See Owner's Manual for instructions.  
 D - Includes 2 ea. half clamps and 2 ea. screws

# High Mount Wheel Lock Pull To Lock

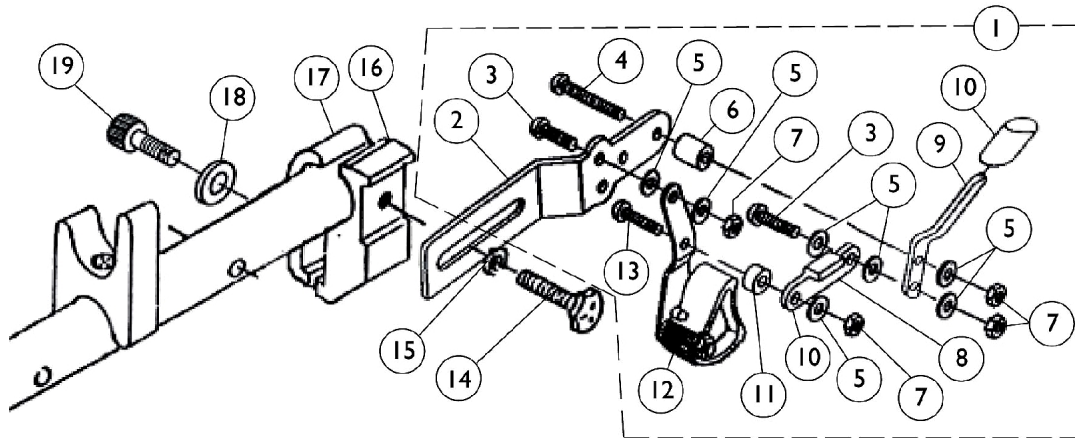


## High Mount Wheel Lock Pull To Lock

Item Number	Note	Part Number	Description	Quantity Per	
				Package	Assembly
1		1028399-NLA	NLA - Strap, Wheel Lock	1	1
2		1025765	Locknut (1/4-28)	1	4
3		1020363-NLA	NLA - Spacer (1/4 x 1/2 x 1/2")	1	1
4		1026103	Washer, Nylon (1/4 x 1/2 x 1/32")	1	5
5		1055346-NLA	NLA - Screw, Hex Head (1/4-28 x 3/4")	1	1
6		1055305-NLA	NLA - Screw, Socket Button Head (1/4-28 x 3/4")	1	2
7		1028411-NLA	NLA - Spacer (1/4 x 1/2 x 5/32")	1	1
8		1018733-NLA	NLA - Link, Stop, Black	1	1
9		1006490	Tip, Plastic, Black	1	2
10		1031780-NLA	NLA - Handle, Pull/ Lock, Black - Right	1	1
10		1031781-NLA	NLA - Handle, Pull/ Lock, Black - Left	1	1
11		1029416-NLA	NLA - Decal, Black Lettering - Super Pro-T	1	1
12		1029420-NLA	NLA - Shoe, Wheel Lock	1	1
13		1055304	Screw, Socket Button Head (1/4-28 x 5/8")	1	1
14		1059284-NLA	NLA - Screw, Socket Button Head (1/4-28 x 1-1/4")	1	1
15		1026108	Lockwasher (1/4 x 15/32 x 1/64")	1	2
16		1026907	Washer (1/4 x 1/2 x 1/16")	1	1
17		1026096-NLA	NLA - Clamp, Wheel Lock, Threaded (1")	1	1
18		1026097-NLA	NLA - Clamp, Wheel Lock, Non-Threaded (1")	1	1
19		1027268	Screw, Allen Head (1/4-20 x 1")	1	2
20	A	1058941-NLA	NLA - Wheel Lock Assembly, Pull to Lock - Right	1	1
20	A	1058942-NLA	NLA - Wheel Lock Assembly, Pull to Lock - Left	1	1
21	B	1039344	Kit, Wheel Lock Attaching Hardware (1" tubing)	1	1
			NLA - Clamp, Wheel Lock, Threaded (1")	1	2
			NLA - Clamp, Wheel Lock, Non-Threaded (1")	1	2
			Screw, Allen Head (1/4-20 x 1")	1	4

NOTE: A - Includes items 1 - 16.  
B - Includes items 17 - 19.

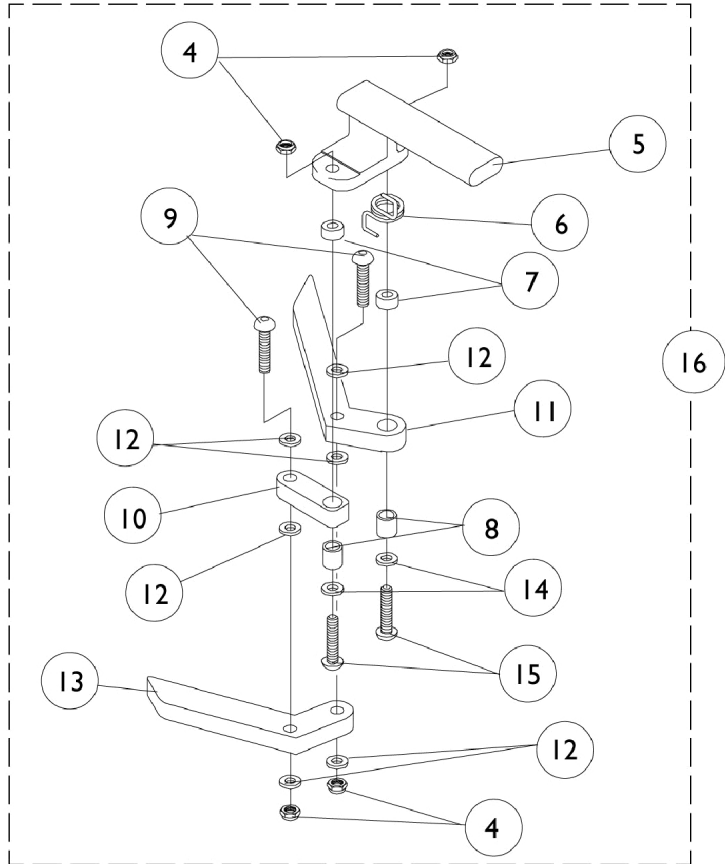
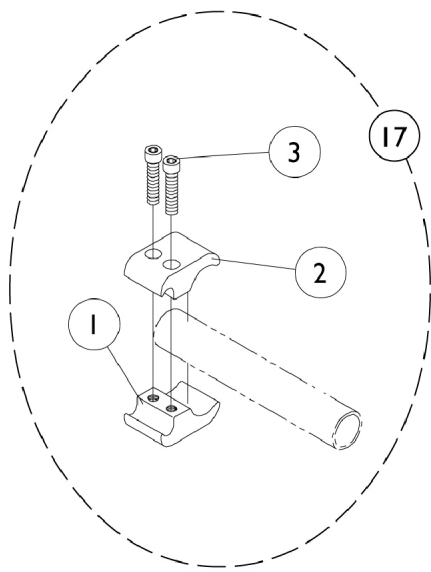
# Hill Holder Wheel Lock and Attaching Hardware



## Hill Holder Wheel Lock and Attaching Hardware

Item Number	Note	Part Number	Description	Quantity Per	
				Package	Assembly
1	A	1026712	Hill Holder Wheel Lock Assembly - Right	1	1
2			Bracket, Black	1	1
3			Screw, Socket Button Head (1/4-28 x 5/8")	1	2
4			NLA - Screw, Socket Button Head (1/4-28 x 1-1/4")	1	1
5			Washer, Nylon (1/4 x 1/2 x 1/32")	1	7
6			NLA - Spacer (1/4 x 1/2 x 1/2")	1	1
7			Locknut (1/4-28)	1	4
8			NLA - Link, Stop, Black	1	1
9			NLA - Handle, Wheel Lock, Black - Right	1	1
10			Tip, Plastic, Black	1	1
11			NLA - Spacer	1	1
12			Hill Holder Assembly - Right	1	1
13			NLA - Screw, Socket Button Head (1/4-28 x 3/4")	1	1
1	A	1026713	Hill Holder Wheel Lock Assembly - Left	1	1
2			Bracket, Black	1	1
3			Screw, Socket Button Head (1/4-28 x 5/8")	1	2
4			NLA - Screw, Socket Button Head (1/4-28 x 1-1/4")	1	1
5			Washer, Nylon (1/4 x 1/2 x 1/32")	1	7
6			NLA - Spacer (1/4 x 1/2 x 1/2")	1	1
7			Locknut (1/4-28)	1	4
8			Tip, Plastic, Black	1	1
9			NLA - Handle, Wheel Lock, Black - Left	1	1
10			NLA - Link, Stop, Black	1	1
11			NLA - Spacer	1	1
12			NLA - Hill Holder Assembly - Left	1	1
13	B,C	1026352	NLA - Screw, Socket Button Head (1/4-28 x 3/4")	1	1
14			Kit, Wheel Lock Hardware	2	1
15			NLA - Bolt, Hex Head Cap (1/4-20 x 3/4")	1	2
16			Washer (1/4 x 5/8 x 3/32")	1	2
17			NLA - Clamp, Half, Threaded	1	2
18			NLA - Clamp, Half, Non-Threaded	1	2
19			Washer, Nylon (1/4 x 7/16 x 5/64")	1	2
			Screw, Socket Head (1/4-20 x 1-1/4")	1	2
NOTE: A - Includes items 2-13 B - Not Shown C - Includes items 14-19					

# Undermount Wheel Lock



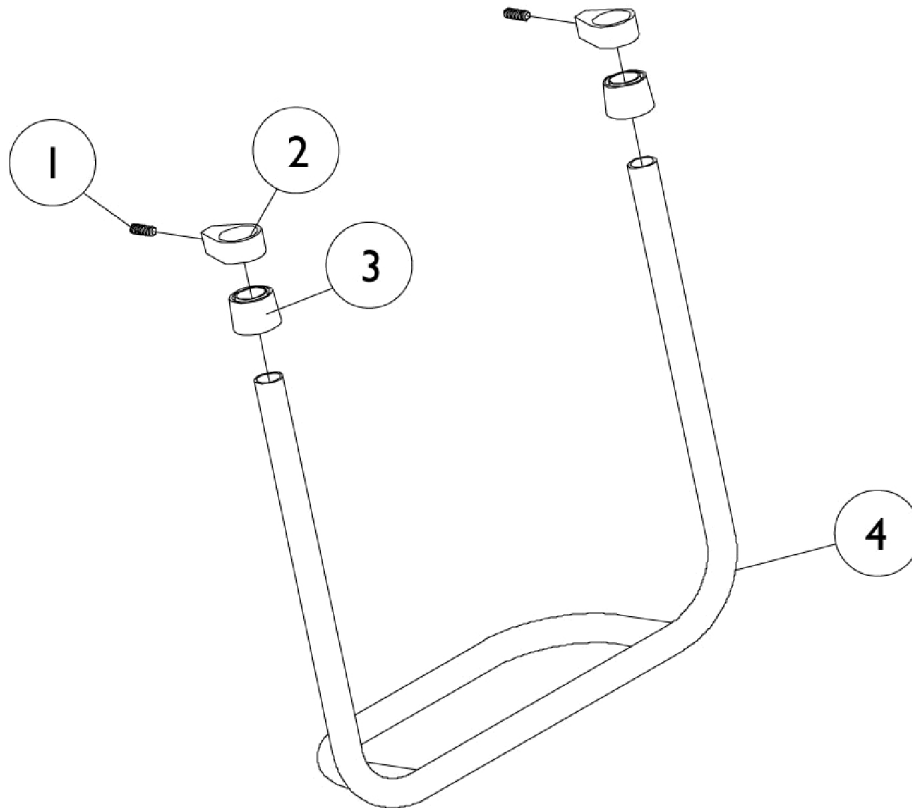


## Undermount Wheel Lock

Item Number	Note	Part Number	Description	Quantity Per	
				Package	Assembly
1		1026096-NLA	NLA - Clamp, Wheel Lock, Threaded (1")	1	1
2		1026097-NLA	NLA - Clamp, Wheel Lock, Non-Threaded (1")	1	1
3		1027268	Screw, Allen Head (1/4-20 x 1")	1	2
4		1025765	Locknut (1/4-28)	1	2
5		1037120-NLA	NLA - Bracket, Mounting, Black - Right	1	1
6		1037121-NLA	NLA - Bracket, Mounting, Black - Left	1	1
7		1036519-NLA	NLA - Spring, Torsion - Right	1	2
7		1036520-NLA	NLA - Spring, Torsion - Left	1	1
8		1005844-NLA	NLA - Bushing	1	2
9		1055307-NLA	NLA - Screw, Allen Button Head (1/4-28 x 1")	1	2
10		1025188-NLA	NLA - Link, Wheel Lock, Black	1	1
11		1024962-NLA	NLA - Handle, Wheel Lock, Black	1	1
12		1026103	Washer, Nylon (1/4 x 1/2 x 1/32")	1	6
13		1024961-NLA	NLA - Shoe, Wheel Lock	1	1
14		1025728	Washer (1/4 x 1/2 x 1/32")	1	2
15		1059284-NLA	NLA - Screw, Socket Button Head (1/4-28 x 1-1/4")	1	2
16	A	1036647-NLA	NLA - Wheel Lock, Undermount - Right	1	1
16	A	1036648-NLA	NLA - Wheel Lock, Undermount - Left	1	1
17	B	1039344	Kit, Wheel Lock Attaching Hardware (1" tubing)	1	1
			NLA - Clamp, Wheel Lock, Threaded (1")	1	2
			NLA - Clamp, Wheel Lock, Non-Threaded (1")	1	2
			Screw, Allen Head (1/4-20 x 1")	1	4

NOTE: A - Includes Items 4 - 15.  
B - Includes items 1 - 3.

# Rigid Tubular Footplate Tapered Front



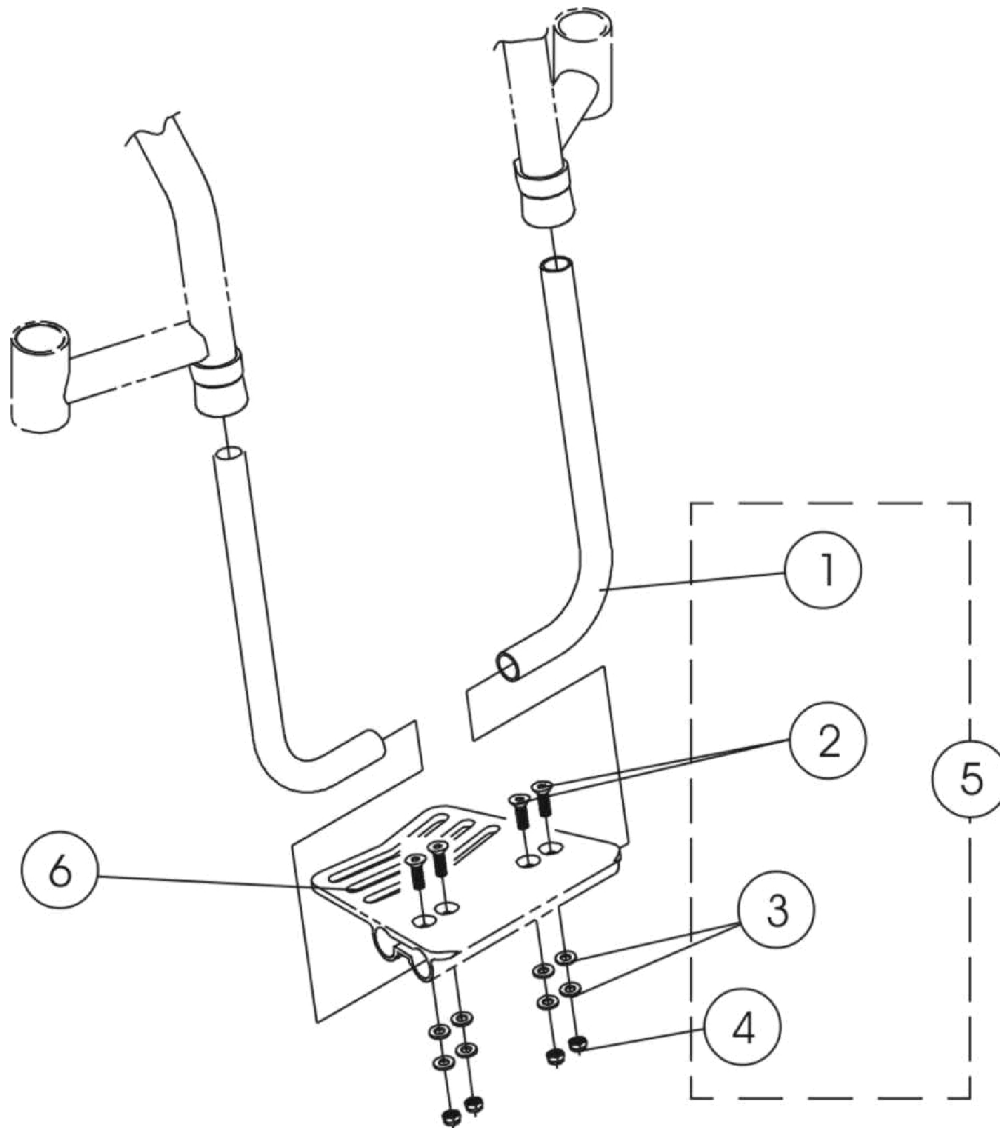
Item Number	Note	Part Number	Description	Quantity Per	
				Package	Assembly
1		1026911-NLA	NLA - Screw, Socket Set Cone Point (1/4-20 x 1/2")	1	2
2		1024749	Clamp	1	2
3		15680X013	Anti-Rattle (1")	1	2
4		See Chart	#4 Rigid Tubular Footplate	1	1

# Rigid Tubular Footplate Tapered Front

## #4 Rigid Tubular Footplate

14" Wide	15" Wide	16" Wide	17" Wide	18" Wide	19" Wide	20" Wide
1043272-NLA	1043273-NLA	1043274-NLA	1043275-NLA	1043276-NLA	1043277-NLA	1043278-NLA

# One Piece Adjustable Angle Footplate



## One Piece Adjustable Angle Footplate

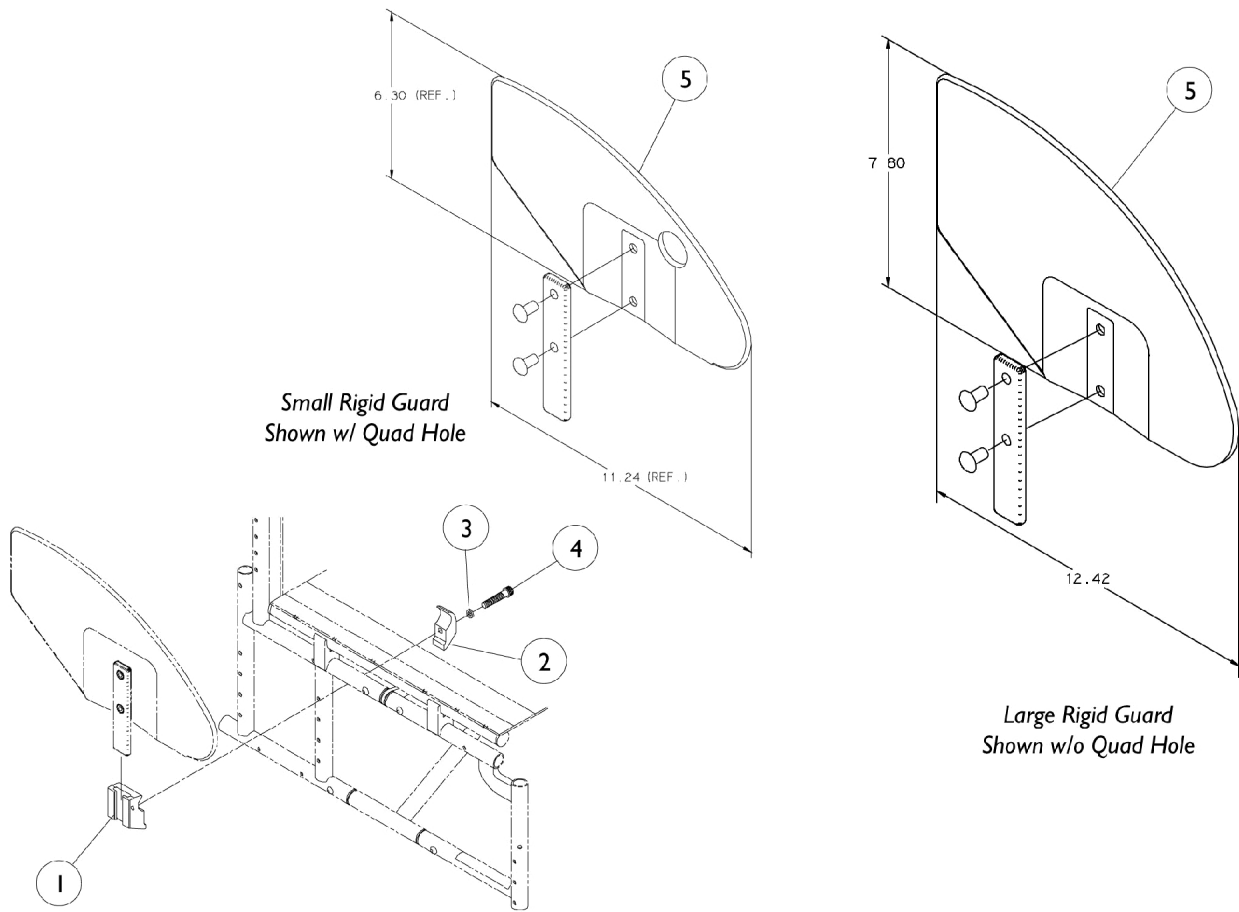
Item Number	Note	Part Number	Description	Quantity Per	
				Package	Assembly
1	A	1046409-NLA	NLA - Tube, Support, Footplate, Black	1	2
1	B	1056296-NLA	NLA - Support Tube, Footplate	1	2
2		1046421-NLA	NLA - Screw, Socket Flat Head (1/4-28 x 1")	1	4
3		1013971	Washer, Nylon (1/4 x 7/16 x 5/64")	1	8
4		1025765	Locknut (1/4-28)	1	4
5	A	1046420-NLA	NLA - Hardware, Footplate Mounting	1	1
5	B	1058667-NLA	NLA - Hardware, Footplate Mounting	1	1
6		See Chart	#6 One Piece Adjustable Angle Footplate	1	1

NOTE: A - Tapered Front  
B - "V" Front

### #6 One Piece Adjustable Angle Footplate

Front Frame Type	14" Wide	15" Wide	16" Wide	17" Wide	18" Wide	19" Wide	20" Wide
Tapered	1046461-NLA	1046462	1046463-NLA	1046464-NLA	1046465-NLA	1046466	1046466
"V" Front	1046462	1046463-NLA	1046464-NLA	1046465-NLA	1046466	1046466	1046466

# Rigid Side Guards

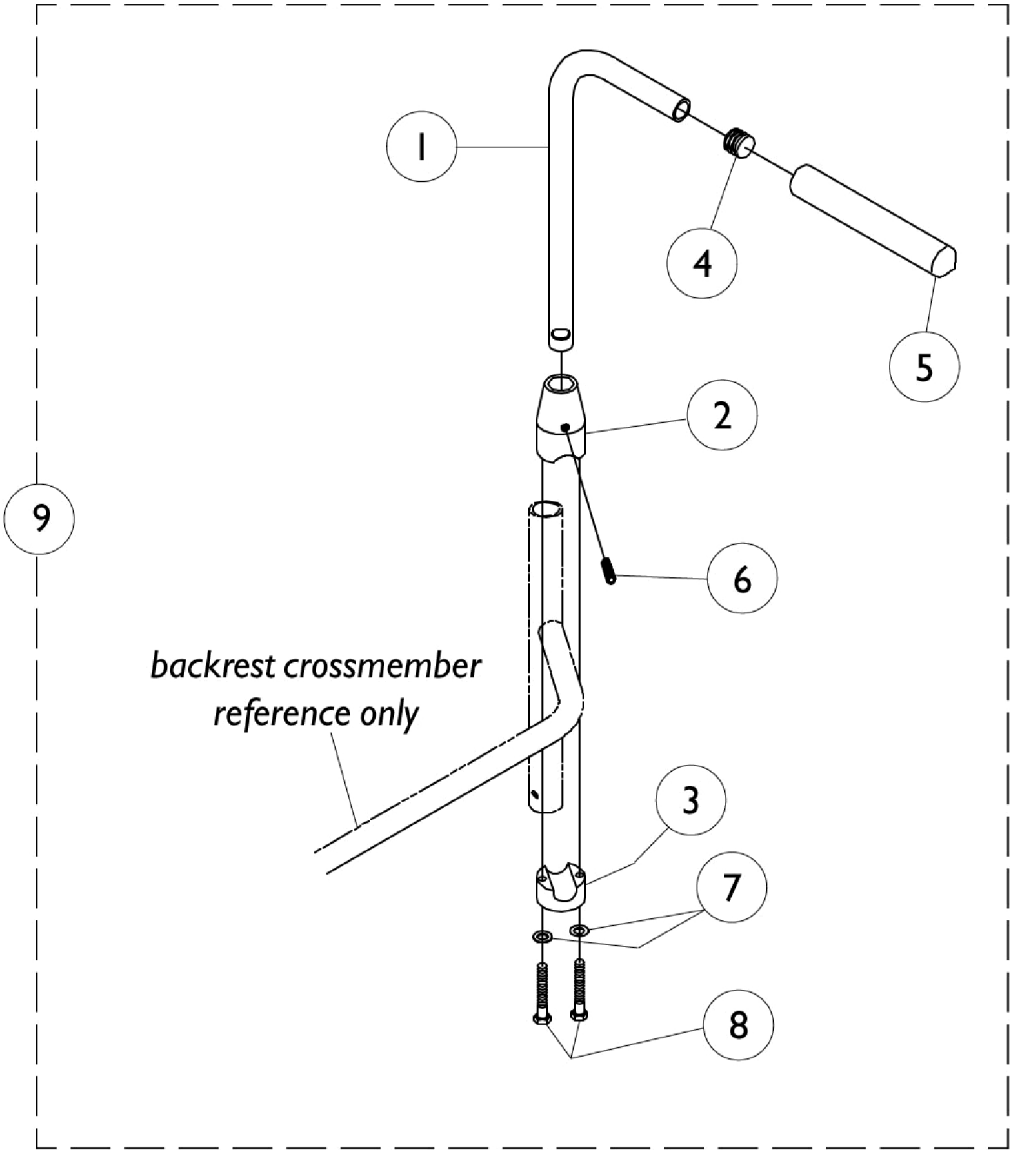


## Rigid Side Guards

Item Number	Note	Part Number	Description	Quantity Per	
				Package	Assembly
1		1032249	Clamp, Half, Threaded	1	1
2		1018692-NLA	NLA - Clamp, Half, Non-Threaded	1	1
3		1013971	Washer, Nylon (1/4 x 7/16 x 5/64")	1	1
4		1003545	Screw, Socket Head (1/4-20 x 1-1/4")	1	1
5		1036346	Guard, Side, Small w/o Quad Hole - Right (6-1/4" H x 11-1/4" D)	1	1
5		1036347	Guard, Side, Small w/o Quad Hole - Left (6-1/4" H x 11-1/4" D)	1	1
5		1036407	Guard, Side, Small w/ Quad Hole - Right (6-1/4" H x 11-1/4" D)	1	1
5		1036408	Guard, Side, Small w/ Quad Hole - Left (6-1/4" H x 11-1/4" D)	1	1
5		1036344	Guard, Side, Large w/o Quad Hole - Right (7-3/4" H x 12-3/8" D)	1	1
5		1036345	Guard, Side, Large w/o Quad Hole - Left (7-3/4" H x 12-3/8" D)	1	1
5		1036405	Guard, Side, Large w/ Quad Hole - Right (7-3/4" H x 12-3/8" D)	1	1
5		1036406	Guard, Side, Large w/ Quad Hole - Left (7-3/4" H x 12-3/8" D)	1	1
	A,B	1036342	Kit, Side Guard Hardware (Pair)	2	1

NOTE: A - Not Shown  
B - Consists of items 1-4

# Bolt On Push Handles





## Bolt On Push Handles

Item Number	Note	Part Number	Description	Quantity Per	
				Package	Assembly
1		1032209-NLA	NLA - Handle, Push, Black - Right	1	1
1		1032210-NLA	NLA - Handle, Push, Black - Left	1	1
2		1032211-NLA	NLA - Clamp, Threaded, Top	1	1
3		1032212-NLA	NLA - Clamp, Non-Threaded, Bottom	1	1
4		1027097	Plug Button, Black (3/4")	1	1
5		1028431-NLA	NLA - Grip, Foam, Black (5")	1	1
6		1032217-NLA	NLA - Screw, Set Flat Point (1/4-20 x 1")	1	1
7		1026907	Washer (1/4 x 1/2 x 1/16")	1	2
8		1025713-NLA	NLA - Screw, Hex Head (1/4-20 x 1")	1	2
9		1032213-NLA	NLA - Push Handle Assembly w/ Hardware, Bolt On (Pair)	2	1

## Miscellaneous Accessories

Part Number	Description	Package Quantity
1093991-NLA	Anti-Tipper - 22" Rear Wheels	1
1100916-NLA	Anti-Tipper - 24" Rear Wheels	1
1109322-NLA	Back Pack (14-15" Wide) 11" W x 13" H x 4" D	1
1109323	Back Pack (16-20" Wide) 14" W x 12" H x 4" D	1
1046282-NLA	Basketball Roller - Adj. Angle Footboard	1
1029419-NLA	Basketball Roller - One Piece Tubular Footplate	1
1027644-NLA	Calf Strap - 14-15" Wide (26" Long)	1
1032243	Calf Strap - 16-20" Wide (36" Long)	1
1068210-NLA	Clamp with Hardware, 3/4" to 1"	1
1028452-NLA	Fabric Clothing Protector - 14-15" D Right	1
1028453-NLA	Fabric Clothing Protector - 14-15" D Left	1
1028454-NLA	Fabric Clothing Protector - 16-20" D Right	1
1028455-NLA	Fabric Clothing Protector - 16-20" D Left	1
1098505-NLA	Impact Guard 17-18" Front Seat to Floor	1
1098507-NLA	Impact Guard 19-20" Front Seat to Floor	1
1098509-NLA	Impact Guard 21" Front Seat to Floor	1
1004310	Positioning Strap Auto Style 14-19" W	1
1034625	Positioning Strap Auto Style 20" W	1
1034744	Positioning Strap Hook & Loop 14-19" Wide	1
1034745	Positioning Strap Hook & Loop 20" Wide	1
1109324	Seat Pouch 8-1/2" W x 7" H x 4" D	1
1032147-NLA	Spoke Guard 22" Spoke/Comp. Wheels	1
1028442-NLA	Spoke Guard -24" Composite Wheels	1
1028441-NLA	Spoke Guard -24" Spoke Wheel	1
1028443-NLA	Spoke Guard 25"/26" Spoke/Comp. Wheels	1

## Miscellaneous Accessories

Part Number	Description	Package Quantity
40176X010-NLA	Tire Pump	1
1038599	Wheel Lock Extensions, 6" (1 Pair)	2

Invacare Corporation

[www.invacare.com](http://www.invacare.com)



**Yes, you can.**

One Invacare Way  
Elyria, Oh USA  
44036-2125  
800-333-6900

Technical Support  
800-832-4707  
Customer Service  
800-333-6900

Customer Service  
800-333-6900

© 2022 Invacare Corporation. All rights reserved. Republication, duplication or modification in whole or in part is prohibited without prior written permission from Invacare. Trademarks are identified by <sup>TM</sup> and ©. All trademarks are owned by or licensed to Invacare Corporation or its subsidiaries unless otherwise noted. (Revised 08/01/22)

Form No. 00-131