



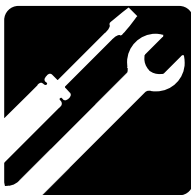
ASSEMBLY



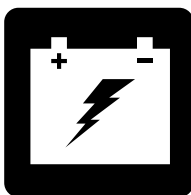
OPERATION



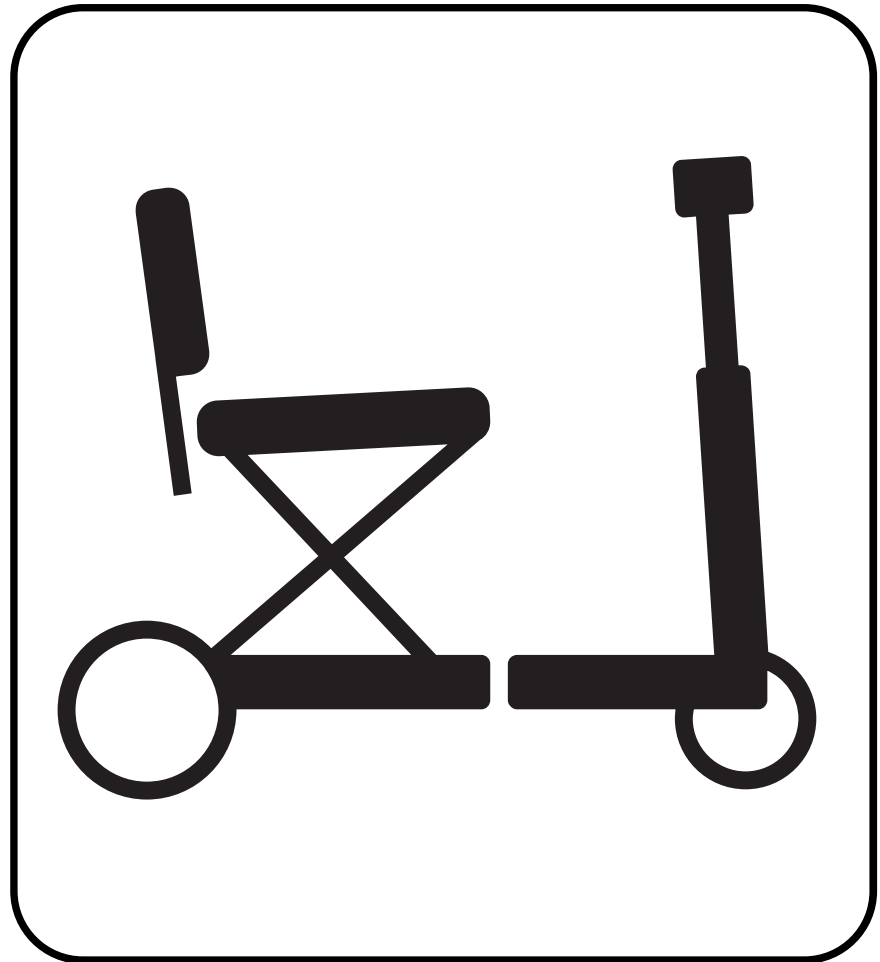
COMFORT



MAINTENANCE



BATTERY
CHARGING



i-GoTM (S20)

NON-MEDICAL

OWNER'S MANUAL

SAFETY GUIDELINES

INTENDED USE

The intended use of this Pride Mobility Products scooter is to provide mobility assistance to persons who have the capacity to operate a motorized mobility product for recreational use.

NOTE: *This owner's manual is compiled from the latest specifications and product information available at the time of publication. We reserve the right to make changes as they become necessary. Any changes to our products may cause slight variations between the illustrations and explanations in this manual and the product you have purchased. The latest/current version of this manual is available on our website.*

NOTE: *This product is compliant with WEEE, RoHS, and REACH directives and requirements.*

NOTE: *This product meets IPX4 classification (IEC 60529).*

NOTE: *The scooter and its components are not made with natural rubber latex. Consult with the manufacturer regarding any after-market accessories.*

NOTE: *This product is not a medical product and is not intended to assist, treat, diagnose or alleviate any medical condition or disability.*

Language Usage

This owner's manual is intended for distribution in all English-speaking countries where our scooters are sold. We have chosen to compose this manual using language and spellings common to the USA. Since we recognize that not all English-speaking countries use the same words or spellings, please refer to the following chart for some common word variations that may be encountered throughout this manual.

USA	Variation	USA	Variation	USA	Variation
asphalt	tarmac	backward(s)	rearward(s)	center	centre
sidewalk	pavement	authorized	authorised	curb	kerb
path	footpath	counterclockwise	anticlockwise	trunk	boot
path	bridleway	tire	tyre	wrench	spanner
yard	grounds	cord	lead	color	colour
turn signal	turn indicator	pocketbook	handbag	labor	labour
meter	metre	elevator	lift		

CONTENTS

SAFETY GUIDELINES	2
INTRODUCTION	4
I. SAFETY	5
II. YOUR SCOOTER	7
III. BATTERIES AND CHARGING	10
IV. OPERATION	16
V. DISASSEMBLY/ASSEMBLY AND FOLDING/UNFOLDING	17
VI. BASIC TROUBLESHOOTING	21
VII. CARE AND MAINTENANCE	22

SAFETY GUIDELINES



WARNING! An authorized Dealer or qualified technician must perform the initial setup of this scooter and must perform all of the procedures in this manual.

The symbols below are used throughout this owner's manual and on the scooter to identify warnings and important information. It is very important for you to read them and understand them completely.



WARNING! Indicates a potentially hazardous condition/situation. Failure to follow designated procedures can cause either personal injury, component damage, or malfunction. On the product, this icon is represented as a black symbol on a yellow triangle with a black border.



MANDATORY! These actions should be performed as specified. Failure to perform mandatory actions can cause personal injury and/or equipment damage. On the product, this icon is represented as a white symbol on a blue dot with a white border.



PROHIBITED! These actions are prohibited. These actions should not be performed at any time or in any circumstances. Performing a prohibited action can cause personal injury and/or equipment damage. On the product, this icon is represented as a black symbol with a red circle and red slash.



CALIFORNIA PROPOSITION 65 WARNING! This product may contain substances which are known to the state of California to cause cancer and birth defects or other reproductive harm. For more information, go to www.P65Warnings.ca.gov.

INTRODUCTION

SAFETY

The scooter you have purchased combines state-of-the-art components with **safety**, comfort, and styling in mind. We are confident that these design features will provide you with the conveniences you expect during your daily activities. Once you understand how to **safely** operate and care for your scooter, it should give you years of trouble free operation and service.

Read and follow all instructions, warnings, and notes in this manual before attempting to operate your scooter for the first time. You must also read all instructions, warnings, and notes contained in any supplemental instructional booklets before initial operation. Your **safety** depends upon you using good judgment.

If there is any information in this manual which you do not understand, or if you require additional assistance for setup or operation, please contact your authorized Dealer. **Failure to follow the instructions in this manual and those located on your scooter can lead to personal injury and/or damage to the scooter, including voiding the warranty.**

PURCHASER'S AGREEMENT

By accepting delivery of this product, you promise that you will not change, alter, or modify this product or remove or render inoperable or unsafe any guards, shields, or other safety features of this product; fail, refuse, or neglect to install any retrofit kits from time to time provided to enhance or preserve the safe use of this product.

SHIPPING AND DELIVERY

Before using your scooter, make sure your delivery is complete as some components may be individually packaged. If you do not receive a complete delivery, please contact your authorized Dealer immediately. Where damage has occurred during transport, either to the packaging or content, please contact the delivery company responsible.

NOTE: If you ever lose or misplace your copy of this manual, contact us and we will be glad to send you a new one immediately.

I. SAFETY

PRODUCT SAFETY SYMBOLS

The symbols below are used on the scooter to identify warnings, mandatory actions, and prohibited actions. It is very important for you to read and understand them completely.

NOTE: There are more warnings identified and explained in the Consumer Safety Guide that is included with your scooter. Please become familiar with all the warnings and safety information found in the Consumer Safety Guide and refer to this resource often.



Read and follow the information in this owner’s manual.



Scooter information label



Fully charge batteries before operating.

Remove key from an unattended scooter.



or



or



Does not meet ISO 7176-19 standards for occupied transport in a motor vehicle. When travelling in a motor vehicle, do not sit in your scooter.



or

Manufactured in

I. SAFETY

GENERAL



MANDATORY! Do not operate your new scooter for the first time without completely reading and understanding this owner's manual.

Your scooter is a state-of-the-art, life-enhancement product designed to increase mobility. We provide an extensive variety of products to best fit the individual needs of the scooter user. Please be aware that the final selection and purchasing decision regarding the type of scooter to be used is the responsibility of the scooter user, who is capable of making such a decision.

WARNING! The i-Go™ is not intended for use by persons who cannot support themselves in an upright position.



WARNING! Prior to operating your scooter, familiarize yourself with the location and use of controls, including the tiller for steering and the throttle for accelerating. During operation, keep both hands on the tiller at all times to assure safe operation of the scooter. Failure to release the throttle when stopping the scooter can result in collision with people or objects which may result in property damage, personal injury or death.

The following are precautions, tips, and other safety considerations intended to help you become accustomed to operating your scooter safely. While we recognize that scooter users will frequently develop skills to manage daily activities that may differ from those illustrated in this manual, it is imperative that all safety guidelines in this manual be followed to ensure user safety. Failure to follow the safety notices in this and other manufacturer-supplied manuals and those located on your scooter can lead to personal injury and/or damage to the scooter, and may result in voiding the product warranty.

PRE-RIDE SAFETY CHECK

Get to know the feel of your scooter and its capabilities. We recommend that you perform a safety check before each use to make sure your scooter operates smoothly and safely.

Perform the following inspections prior to using your scooter:

- Check the condition of the tires. If applicable, make sure they are properly inflated and not damaged or excessively worn.
- Check all electrical connections. Make sure they are tight and not corroded.
- Check all harness connections. Make sure they are secured properly.
- Check the brakes to ensure they operate properly.
- Check the battery condition meter to ensure the batteries are fully charged.
- Ensure the manual freewheel lever is in drive mode before sitting on the scooter.



WARNING! Ensure the seat is fully raised and secured in driving position prior to sitting on your scooter. Failure to do so may result in property damage and/or personal injury.

If you discover a problem, contact your authorized Dealer for assistance. Please refer to the Contact Information insert in your Owner's Package.

Braking Information

Scooters are equipped with two powerful brake systems—regenerative and disc park brake. Regenerative braking uses electricity to rapidly slow the scooter to a neutral state. Disc park braking activates mechanically after regenerative braking slows the vehicle to near stop, or when power is removed from the system for any reason.

Unless equipped with a specialty product, the speed of your scooter is controlled by a throttle control lever. When the throttle control lever is moved from the center (neutral) position, an electronic signal is sent to the braking system. The signal causes the electromagnetic brakes to release, allowing the vehicle to move. The more pressure applied to the throttle control lever, the faster the vehicle will move up to a preset maximum speed. When the throttle control lever is released back to the center (neutral) position, the electronic signal is reversed and the electromagnetic brakes engage, allowing the scooter to decelerate to a stop.

II. YOUR SCOOTER

TILLER CONSOLE

The tiller console houses all controls needed to drive your scooter, including the battery condition meter and throttle. See figure 1.



PROHIBITED! Do not expose the tiller console to moisture. In the event that the tiller console does become exposed to moisture, do not attempt to operate your scooter until the tiller console has dried thoroughly.

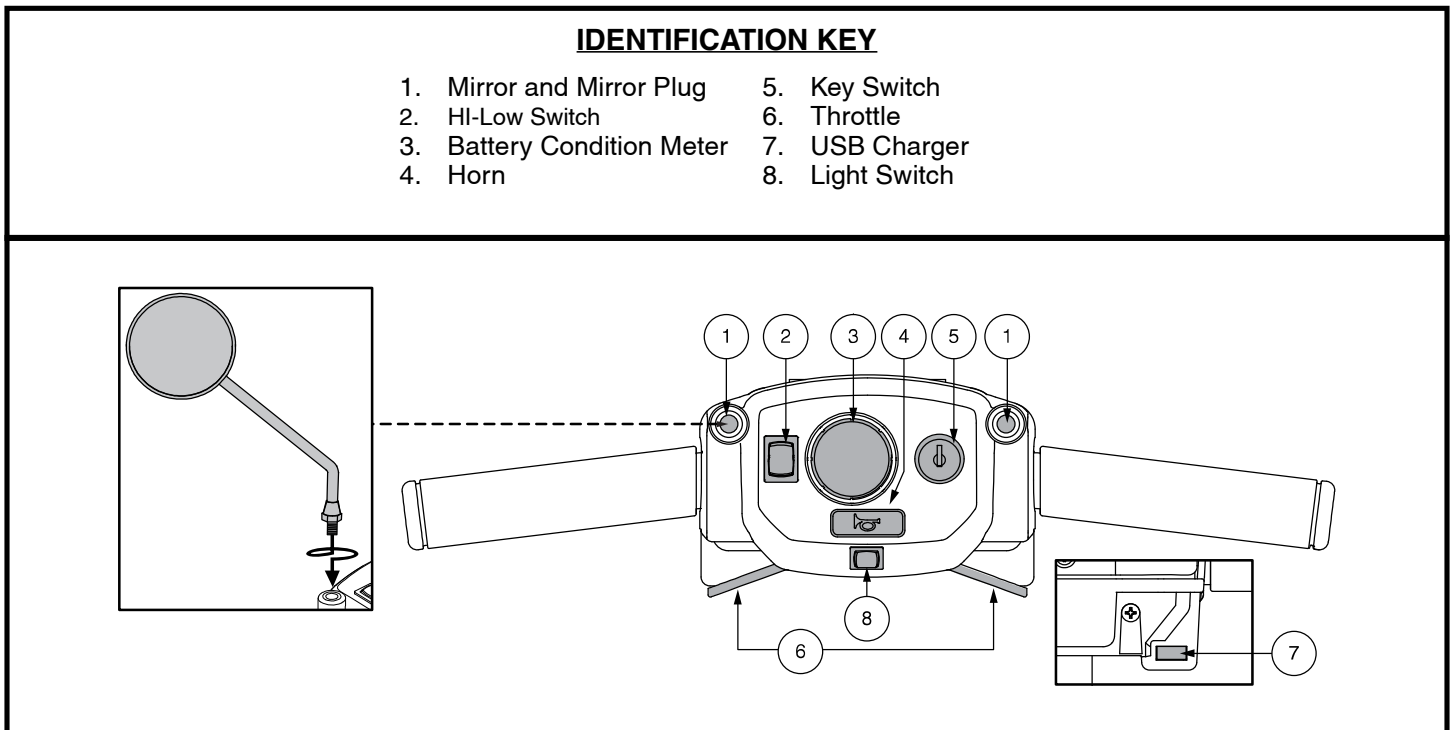


Figure 1. Tiller Console

NOTE: Before initial use, the battery must be activated. For activation instructions, see III “Batteries and Charging”/IV “Operation.”

Key Switch

- Insert the key into the key switch and turn it clockwise to power up (turn on) your scooter.
- Turn the key counterclockwise to power down (turn off) your scooter.

Throttle Control Lever

This lever allows you to control the forward speed and the reverse speed of your scooter.

To use throttle control lever:

- To move **Forward**, use your right thumb to push the right side of the throttle control lever.
- To move **Rearward**, use your left thumb to push the left side of the throttle control lever.

Lights Switch

This switch controls your scooter’s lighting system.

- Toggle the switch forward to turn on the lighting system.
- Toggle the switch rearward to turn off the lighting system.

II. YOUR SCOOTER

Hi-Low Switch

This switch toggles the scooter's speed between Hi and Low. Toggle the switch forward (Hi) to achieve the maximum preprogrammed speed for the scooter. Toggle the switch rearward (Low) to achieve half the maximum preprogrammed speed of the scooter.

Battery Condition Meter

When the key switch is engaged to power up your scooter, this meter indicates the approximate battery voltage strength on your tiller display. For further information on battery charging, see III. "Batteries and Charging."

Drivetrain Assembly

The drivetrain assembly is an electromechanical unit that converts electrical energy from your scooter's batteries into the controlled mechanical energy that drives the scooter's wheels.

Battery Pack

Your scooter is equipped with an innovative easy-to-remove Lithium-Ion battery pack. Refer to III. "Batteries and Charging" for battery pack replacement instructions. See figures 2 and 3.

Main Circuit Breaker (Reset Button)

When the voltage in your scooter's batteries becomes low or the scooter is heavily strained because of excessive loads or steep inclines, the main circuit breaker may trip to protect the motor and electronics from damage. See figure 3.

- The main circuit breaker reset button pops out when the breaker trips.
- When the breaker trips, the entire electrical system of your scooter shuts down.
- Turn key switch off.
- Allow a minute or two for your scooter's electronics to "rest."
- Push in the reset button towards the rear of the scooter to reset the main circuit breaker.
- If the main circuit breaker trips frequently, you may need to charge your batteries more often.
- If the main circuit breaker trips repeatedly, see your authorized Dealer for service.

IDENTIFICATION KEY

1. XLR Connector
2. Battery Connector
3. LED Charge Display Button
4. LED Charge Display

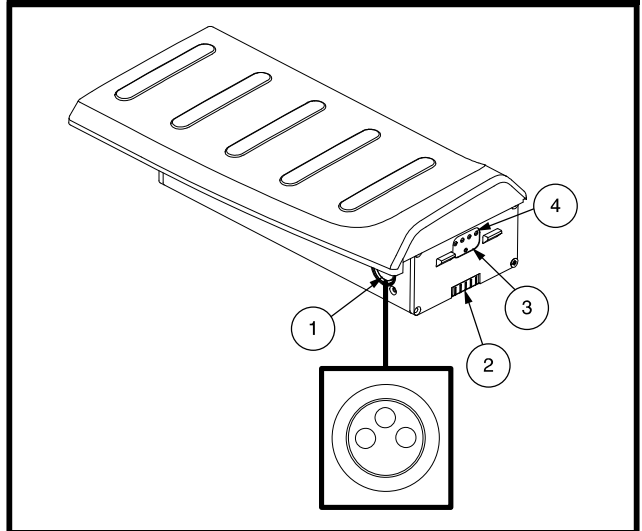


Figure 2. Battery Pack

IDENTIFICATION KEY

1. Circuit Breaker
2. Battery Pack
3. XLR Port

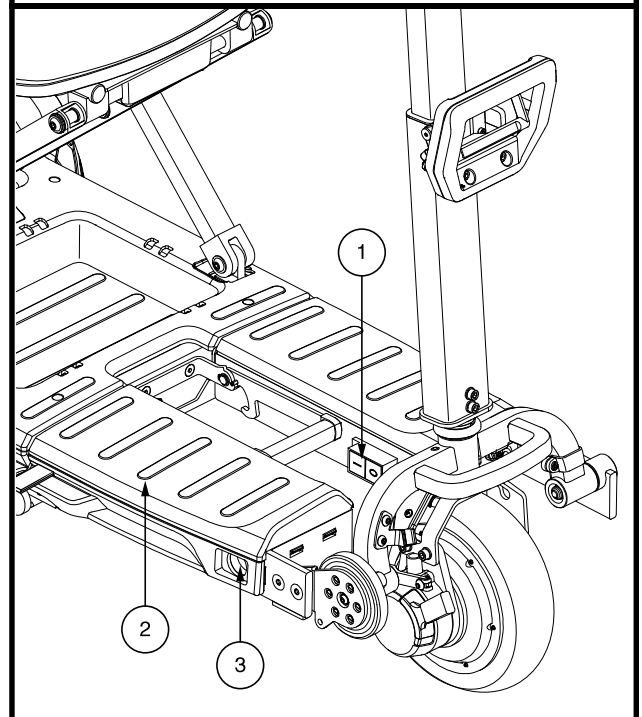


Figure 3. Main Circuit Breaker

II. YOUR SCOOTER

Charger Power Cord Receptacle

The 3-pin end of the charger power cord plugs into this receptacle. See figure 4.

Off-Board Battery Charger

The off-board battery charger, when plugged into the charger power cord receptacle and a standard electrical outlet, charges the scooter's batteries. See figure 4.

Manual Freewheel Lever

Whenever you need or want to push your scooter for short distances, you can put it in freewheel mode.

1. Remove the key from switch.
2. Push circuit breaker button towards front of scooter.
3. Locate the manual freewheel lever near the front wheel. See figure 5.
4. Push downward on the manual freewheel lever to disable the drive system and the brake system. You may now push your scooter.
5. Pull the manual freewheel lever upward to reengage the drive and the brake systems; this takes your scooter out of freewheel mode.

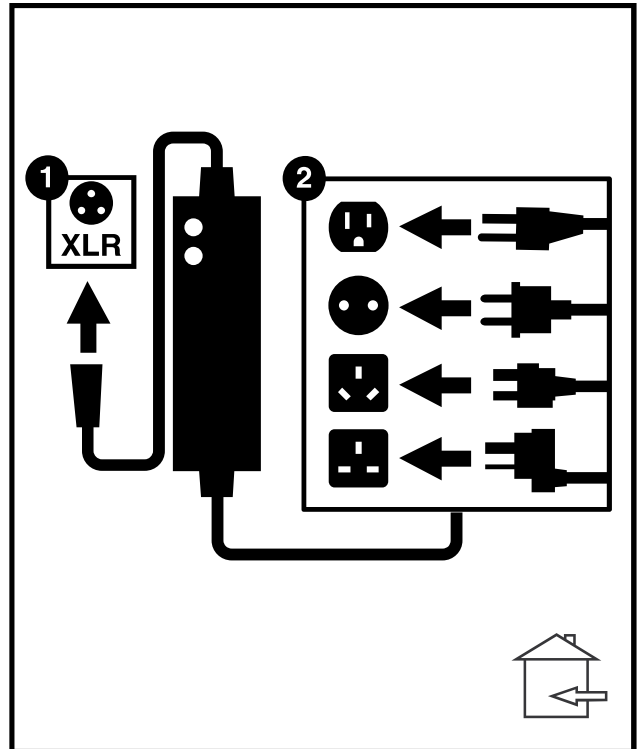


Figure 4. Off-board Battery Charger

WARNING! When your scooter is in freewheel mode, the braking system is disengaged.

- Disengage the drive motors only on a level surface.
- Ensure the key is removed from the key switch.
- Stand to the side of the scooter to engage or disengage freewheel mode. Never sit on a scooter to do this.
- After you have finished pushing your scooter, always return it to the drive mode to lock the brakes.

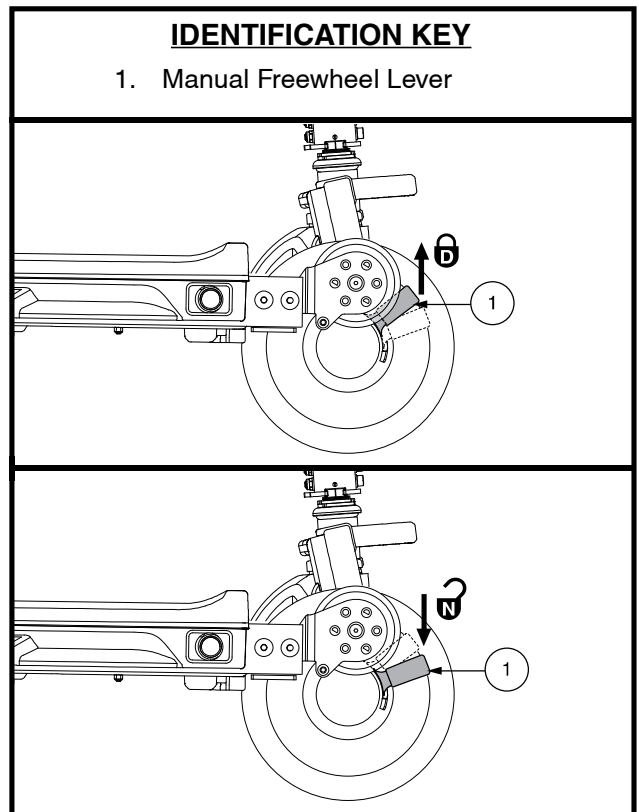


Figure 5. Freewheel Lever

III. BATTERIES AND CHARGING

BATTERIES AND CHARGING

Your scooter requires one Lithium-Ion battery box that is sealed and maintenance-free. It is recharged by the supplied offboard charging system.

- Charge your scooter's battery prior to using it for the first time. Fully charge your scooter's battery using the charger supplied with the scooter. Plug the charger into your scooter first and then plug the charger into electrical an outlet.
- Keep the battery fully charged to keep your scooter running smoothly.

READING YOUR BATTERY VOLTAGE

DOT MATRIX VOLTMETER

The LED display that is part of the battery condition meter on the tiller console indicates the approximate remaining percentage of your battery charge. At full charge, the icon will read FL, indicating a fully charged battery. With continued use, the LED display will display decreasing numbers as your charge drains. Once the LED display reaches 10% battery life, it will read LO, and an immediate recharge is necessary. See figure 6 (1a). To ensure the highest accuracy, the battery condition meter should be checked while operating your scooter at full speed on a dry, level surface.

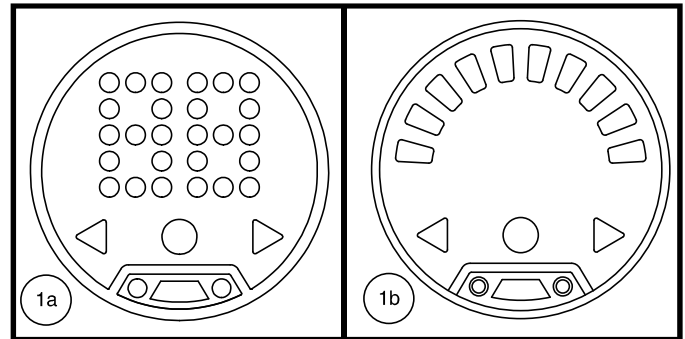


Figure 6. Battery Condition Meter

AMBIENT VOLTMETER

The battery condition meter on the tiller console indicates the approximate strength of your batteries using a color code. From right to left on the meter, green indicates fully charged batteries, yellow a draining charge, and red indicates that an immediate recharge is necessary. See figure 6 (1b). To ensure the highest accuracy, the battery condition meter should be checked while operating your scooter at full speed on a dry, level surface.

NOTE: Scooters are equipped with an ambient light sensing battery condition meter that automatically adjust brightness based on environment lighting.

CHARGING YOUR BATTERY



PROHIBITED! Removal of grounding prong can create electrical hazard. If necessary, properly install an approved 3-pronged adapter to an electrical outlet having 2-pronged plug access.



PROHIBITED! Never use an extension cord to plug in your battery charger. Plug the charger directly into a properly wired standard electrical outlet.



PROHIBITED! Do not allow unsupervised children to play near the scooter while the battery is charging. We recommend that you do not charge the battery while the scooter is occupied.



MANDATORY! Read the battery charging instructions in this manual and in the manual supplied with the battery charger before charging the battery.



WARNING! Explosive gases may be generated while charging the battery. Keep the scooter and battery charger away from sources of ignition such as flames or sparks and provide adequate ventilation when charging the battery.

WARNING! You must recharge your scooter's battery with the supplied offboard charger. Do not use another battery charger.



WARNING! Inspect the battery charger, wiring, and connectors for damage before each use. Contact your authorized Dealer if damage is found or suspected to be damaged.

WARNING! Do not attempt to open the battery charger case. If the battery charger does not appear to be working correctly, contact your authorized Dealer.

III. BATTERIES AND CHARGING

WARNING! If the battery charger is equipped with cooling slots, then do not attempt to insert objects through these slots.



WARNING! Be aware that the battery charger case may become hot during charging. Avoid skin contact and do not place on surfaces that may be affected by heat.

WARNING! Do not attempt to operate your scooter with depleted batteries, as you may become stranded.



WARNING! Battery chargers are not suitable to be used by children.



WARNING! If your battery charger has not been tested and approved for outdoor use, then do not expose it to adverse or extreme weather conditions. If the battery charger is exposed to adverse or extreme weather conditions, then it must be allowed to adjust to the difference in environmental conditions before use indoors. Refer to the manual supplied with the battery charger for more information.

Follow the easy steps in figure 7 to charge your batteries safely:

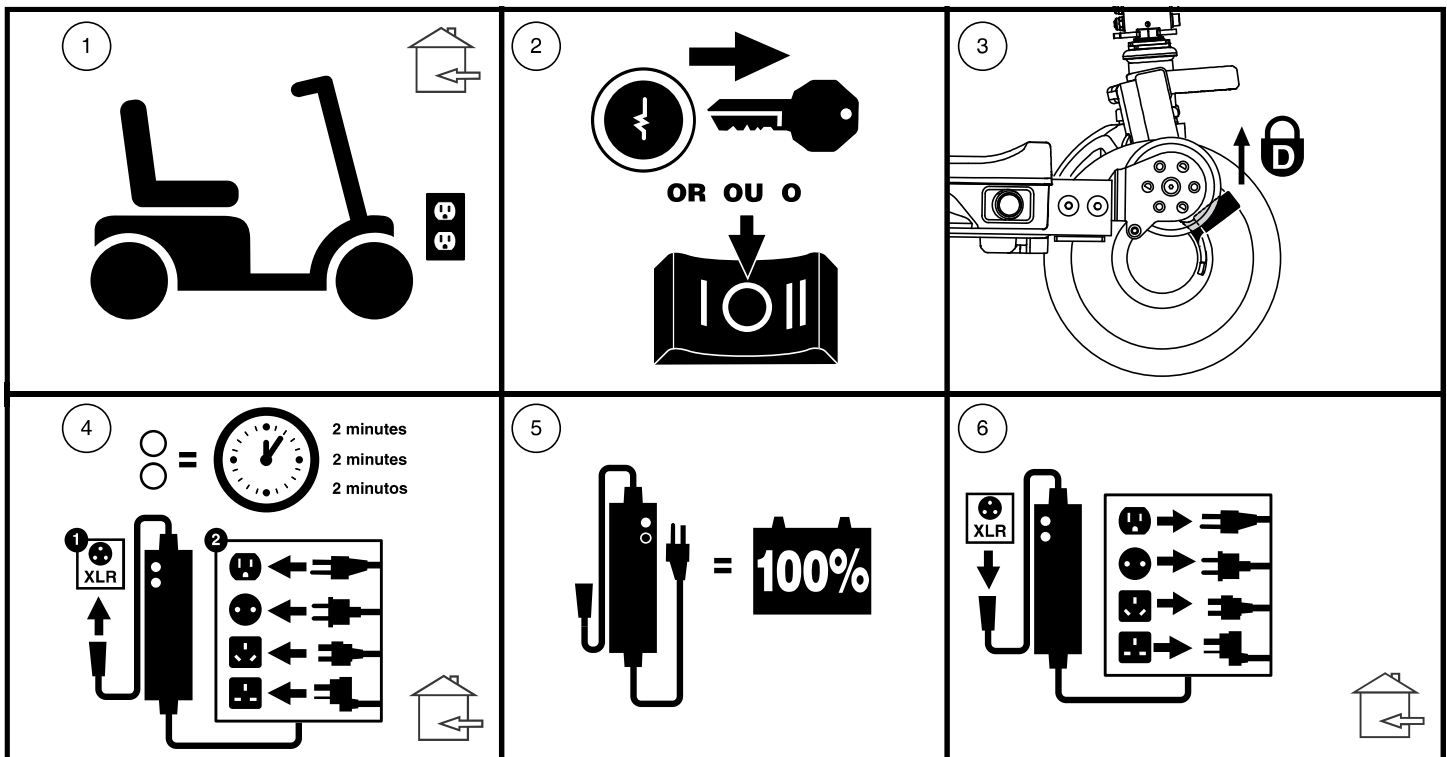


Figure 7. Battery Charging Procedures Diagram

To safely charge your Lithium-Ion battery:

1. Place your scooter next to an electrical outlet. See figure 8.
2. Remove the key.
3. Ensure that the scooter is in drive mode. See figure 5.
4. Connect the supplied 3-pin XLR Lithium-Ion charger into the 3-pin charging port on the scooter.
5. Plug the charger power cord into the wall electrical outlet. See figure 8.
6. Wait two (2) minutes. Two (2) red LED lights on the charger signify that charging has begun.
7. The batteries are fully charged when the LED on the battery charger is green.

NOTE: If the steps above were not performed in the correct order, unplug the charger cord from both the wall electrical outlet and the scooter, wait one (1) minute, and then repeat the steps above in the order shown.

8. Unplug the battery charger from the scooter and electrical outlet.

III. BATTERIES AND CHARGING



WARNING! Do not touch hot surface. Persons who have sensitivity challenges must take additional precautions to prevent touching hot surfaces of the charger.



WARNING! The battery charger may have indicator lights that illuminate under certain conditions. Refer to the operating instructions supplied with the charger for a complete explanation of these indicators.

NOTE: *There is a charger inhibit function on your scooter. The scooter will not run and the battery condition meter will not operate while the battery is charging (when the battery pack is being charged on the scooter).*

FREQUENTLY ASKED QUESTIONS

How does the charger work?

Refer to the manual supplied with the battery charger for charging instructions.

Can I use a different charger?

No. Any charging method using any other charger than the one supplied with your scooter is especially prohibited.

What if my scooter's battery will not charge?

- Ensure that the 3-pin XLR charger is plugged into the 3-pin charging port on the scooter first. Then plug the power cord into the wall electrical outlet.
- If equipped, ensure that the fuse on the battery is in working condition.
- Ensure both ends of the charger power cord are inserted fully.
- Ensure the charge LED, located on the charger, is operating as indicated in the charger manual.

How often must I charge the battery?

Two major factors must be considered when deciding how often to charge your scooter's battery:

- All day use on a daily basis.
- Infrequent or sporadic use.

With these considerations in mind, you can determine how often and for how long you should charge your scooter's batteries. You may encounter some problems if you do not charge your battery often enough and if you do not charge them on a regular basis. Following the guidelines below will provide safe and reliable battery operation and charging.

- If you use your scooter daily, charge its battery as soon as you finish using it for the day.
- If you use your scooter once a week or less, charge its battery at least once a week.
- Never store your scooter with a fully discharged battery.

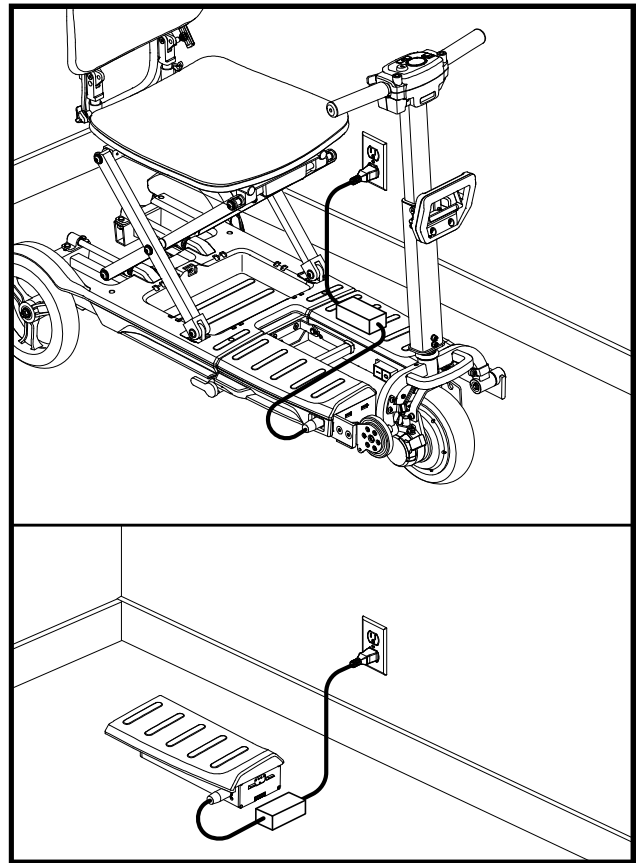


Figure 8. Battery Charging

III. BATTERIES AND CHARGING

NOTE: *Keep your battery fully charged and avoid deeply discharging your battery. Refer to the manual supplied with the battery charger for charging instructions.*

NOTE: *Your scooter's battery should only be charged at room temperature. Avoid charging the battery in extreme temperature environments such as hot cars, windowsills, hot or cold garages. Avoid heat-generating environments. Refer to the manual supplied with the battery charger for charging instructions.*

How can I ensure maximum battery life?

Lithium-Ion batteries perform best with short or interval charging and partial discharges. Protect your scooter and battery from extreme heat or cold. A battery that is regularly and deeply discharged, infrequently charged, stored in extreme temperatures, or stored without a full charge may be permanently damaged, causing unreliable performance and limited service life. The following are temperature suggestions for operation, storage, and charging of your Lithium-Ion battery.

NOTE: *The useful life of a battery is quite often a reflection of the care it receives.*

Recommended operational temperature range:

- 14°F/-10°C to 122°F/50°C (optimal range is 59°F/15°C to 77°F/25°C)

Recommended storage temperature range:

- 14°F/-10°C to 77°F/25°C (optimal range is 59°F/15°C to 77°F/25°C)

Recommended charging temperature range:

- 32°F/0°C to 104°F/40°C (optimal temperature is 68°F/20°C)

NOTE: *To extend battery life, always turn off the scooter and remove the key when not in use.*

How can I get maximum range or distance per charge?

Rarely will you have ideal driving conditions—smooth, flat, hard driving surfaces with no wind or curves. Often, you will face hills, sidewalk cracks, uneven and loosely packed surfaces, curves, and wind, all of which affect the distance or running time per battery charge. Below are a few suggestions for obtaining the maximum range per battery charge:

- Lithium-Ion batteries perform best with short or interval charging and partial discharges.
- Plan your route ahead to avoid as many hills, cracked, broken, or soft surfaces as possible.
- Limit your baggage weight to essential items.
- Try to maintain an even speed while your scooter is in motion.
- Avoid stop-and-go driving.
- If storing your battery for more than thirty (30) days, we recommend charging your battery once per month to improve battery performance and battery life. Follow the charging instruction as recommended in the manual supplied with the battery charger.
- Make sure all harness connections are secured properly.
- Operating your scooter at a reduced speed will improve range.

What type and size of battery should I use?

Your scooter requires one Lithium-Ion battery box. Refer to the product specification insert supplied with your owner's manual in the owner's package.



WARNING! Corrosive chemicals are contained in batteries. Replace an original Lithium-Ion battery box with an approved replacement Lithium-Ion battery box to reduce the risk of leakage or explosive conditions.

NOTE: *Sealed battery boxes are not serviceable.*

III. BATTERIES AND CHARGING

Why do my new batteries seem weak?

Lithium-Ion batteries employ a different chemical technology than that used in car batteries, nickel-cadmium batteries (nicads), and other common battery types. Lithium-Ion batteries are specifically designed to provide power, drain down their charge, and then accept a relatively quick recharge.

We work closely with our battery manufacturer to provide batteries that best suit your scooter's specific electrical demands. During shipping, the batteries may encounter temperature extremes that can influence their initial performance. Heat diminishes the charge on the battery; cold slows the available power and extends the time needed to recharge the battery.

It may take a few days for the temperature of your scooter's battery to stabilize and adjust to their new room or ambient temperature. More importantly, it takes a few charging cycles (partial draining followed by full recharging) to establish the critical chemical balance that is essential to a Lithium-Ion battery's peak performance and long life.

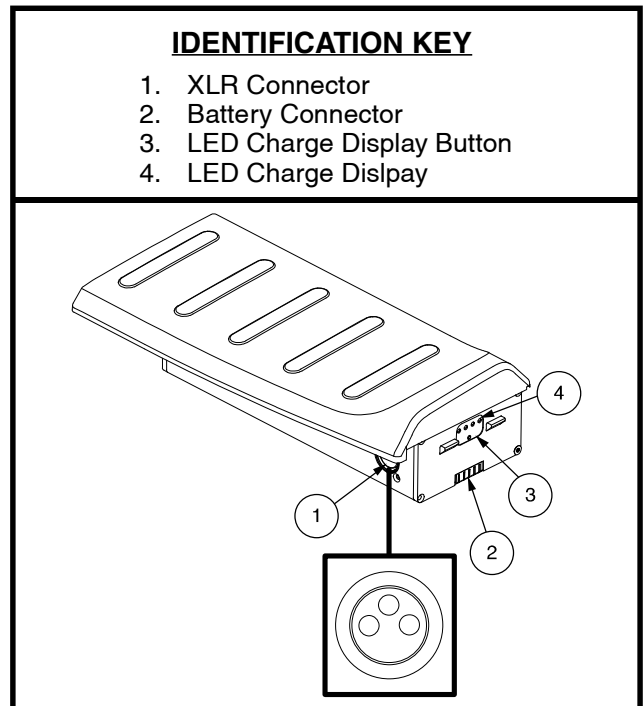


Figure 9. Battery Pack Replacement

Follow these steps to properly break in your scooter's new battery for maximum efficiency and service life:

1. Lithium-Ion batteries perform best with short or interval charging and partial discharges.
2. Operate your new scooter in familiar and safe areas. Drive slowly at first, and do not travel too far from your home or familiar surroundings until you have become accustomed to your scooter's controls, then fully recharge the battery.
3. After four or five charging cycles, the battery is able to receive a charge of 100% of peak performance level and are able to last for an extended period of time.

NOTE: Sealed batteries are not serviceable. Do not remove the caps.

What about public transportation?

Your i-Go Lithium-Ion battery has been tested and complies with United Nations Transport Regulations standard UN38.3 and conforms to 49 CFR 175.10(a)(17).

What about air travel?

Lithium-Ion batteries are made in a variety of sizes and ratings for different uses. Not all Lithium-Ion batteries are rated for air travel. Your scooter is labeled to indicate if the batteries are tested and comply with United Nations Transport Regulation standard UN38.3. Refer to the battery box of your scooter to determine if the battery is rated for air travel. Transport of the item on commercial aircraft is subject to federal regulations and airline policy. We suggest you contact the carrier's ticket counter in advance to determine that carrier's specific requirements, and to ensure your scooter and its battery are permitted.

III. BATTERIES AND CHARGING



Indicates that the battery in your scooter has been tested and complies with United Nations Transport Regulations standard UN38.3. We suggest you contact the carrier's ticket counter in advance to determine that carrier's specific requirements, and to ensure your scooter and its battery are permitted.



Indicates that the battery in your scooter exceeds the maximum allowable Watt-hour requirement for air travel.

How do I change the battery in my scooter?



MANDATORY! All i-Go batteries must be purchased from an authorized Dealer. The battery pack must not be opened.

WARNING! Contact your Dealer if you have any questions regarding the battery in your scooter.



WARNING! Do not replace the battery while the scooter is occupied.

WARNING! Do not pull on electrical lead wires directly to detach them from the scooter. Always grasp the connector itself when disconnecting the lead to prevent wire damage.

To remove/install the battery pack, see figure 10:

1. Ensure the manual freewheel lever is in drive mode. See figure 5.
2. Ensure the key switch is switched to off. See figure 1.
3. Push breaker toward front of scooter. See figure 3.
4. Pull the battery release strap and lift the battery up and off the scooter.

NOTE: Ensure the battery strap is kept outside the battery compartment when installing or replacing the battery.

5. Align the tabs on the new battery with the alignment holes. See figure 10.
6. Press down on the battery pack until you hear a "click."
7. Push breaker toward the rear of scooter. See figure 3.

NOTE: Do not place or store any items in the area of the breaker to prevent accidental contact with the breaker.

NOTE: Contact your local waste disposal agency or authorized Dealer for information on proper battery disposal.

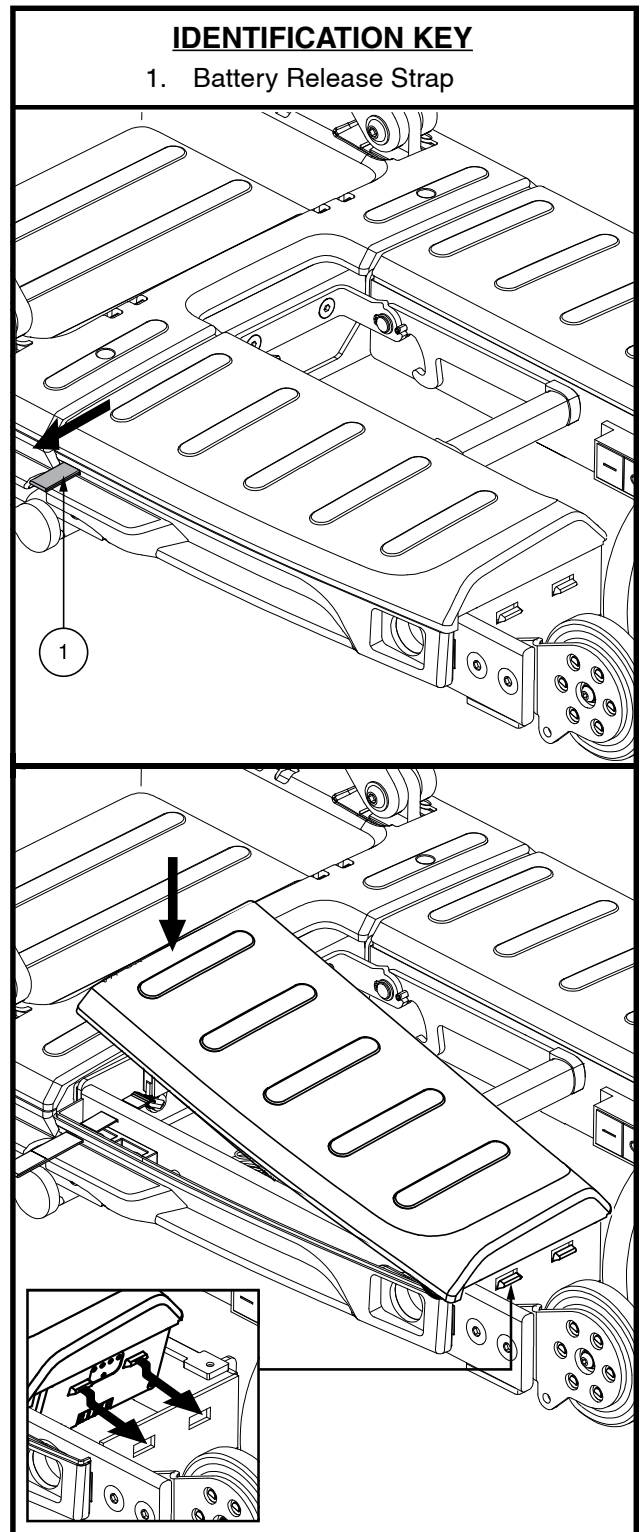


Figure 10. Battery Removal/Installation

IV. OPERATION

PRE-RIDE SAFETY CHECK

Get to know the feel of your scooter and its capabilities. We recommend that you perform a safety check before each use to make sure your scooter operates smoothly and safely.

Perform the following inspections prior to using your scooter:

- Check the condition of the tires. Make sure they are not damaged or excessively worn.
- Check all electrical connections. Make sure they are tight and not corroded.
- Check all lead connections. Make sure they are secured properly.
- Check the brakes to ensure they operate properly.
- Check the battery condition meter to ensure the battery is fully charged.

PRE-RIDE ADJUSTMENTS AND CHECKS

- Is the seat secured into place?
- Is your proposed path clear of people, pets, and obstacles?
- Have you planned your route to avoid adverse terrain and as many inclines as possible?

NOTE: Use caution when operating your scooter on delicate surfaces as scuffing and/or marking may occur.

TURNING ASSIST SENSOR

Your scooter is equipped with a turning assist sensor that helps control the speed of your scooter when negotiating turns. The turning assist sensor switch is engaged at the factory and can be disengaged using a toggle switch. See figure 11.

NOTE: The turning assist sensor toggle switch is easily accessible when the scooter is folded and separated.

To disengage/re-engage the turning assist sensor:

1. Locate the turning assist sensor toggle switch. See figure 11.
2. Press the turning assist sensor toggle switch toward the plastic on the scooter to disengage.
3. Press the turning assist sensor toggle switch toward the scooter base to re-engage.

BEFORE GETTING ONTO YOUR SCOOTER

- Have you fully charged the battery? See III. "Batteries and Charging."
- Ensure the tiller release lever is in the latched position. See V. "Disassembly/Assembly and Folding/Unfolding."
- Ensure the air temperature is between 14°F/-10°C to 122°F/50°C (optimal range is 59°F/15°C to 77°F/25°C).

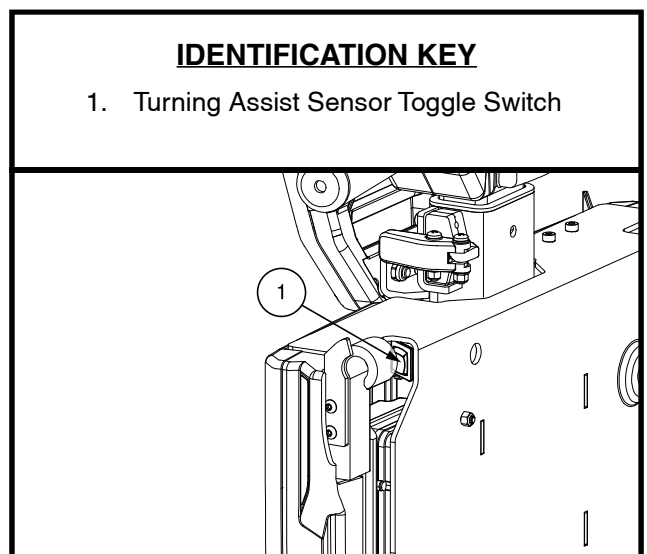


Figure 11. Turning Assist Sensor

IV. OPERATION

GETTING ONTO YOUR SCOOTER

1. Make certain that the key is removed from the key switch.
2. Stand at the side of your scooter.



WARNING! Never attempt to get onto or off of your scooter without first removing the key from the key switch. This will prevent the scooter from moving if accidental throttle control lever contact is made.

3. Make certain that the seat is secured into position.
4. Position yourself comfortably and securely in the seat.
5. Make certain your feet are safely on the floorboard.

OPERATING YOUR SCOOTER



WARNING! The following can adversely affect steering and stability while operating your scooter:

- Holding onto or attaching a leash to walk your pet.
- Carrying passengers (including pets).
- Hanging any article from the tiller.
- Towing or being pushed by another motorized vehicle.

WARNING! Keep both hands on the tiller and your feet on the floor boards at all times while operating your scooter. This driving position gives you the most control over your vehicle.

- Press your thumb against the appropriate side of the throttle control lever.
- The electromechanical disc park brake automatically disengages and the scooter accelerates.
- Pull on the left handgrip to steer your scooter to the left.
- Pull on the right handgrip to steer your scooter to the right.
- Move the tiller to the center position to drive straight ahead.
- To stop, slowly release the throttle control lever. The electronic brakes will automatically engage when your scooter comes to a stop.

GETTING OFF OF YOUR SCOOTER

1. Bring your scooter to a complete stop.
2. Remove key from key switch.



WARNING! Never attempt to get onto or off of your scooter without first removing the key from the key switch. This will prevent the scooter from moving if accidental throttle control lever contact is made.

3. Carefully and safely get out of the seat and stand to the side of your scooter.

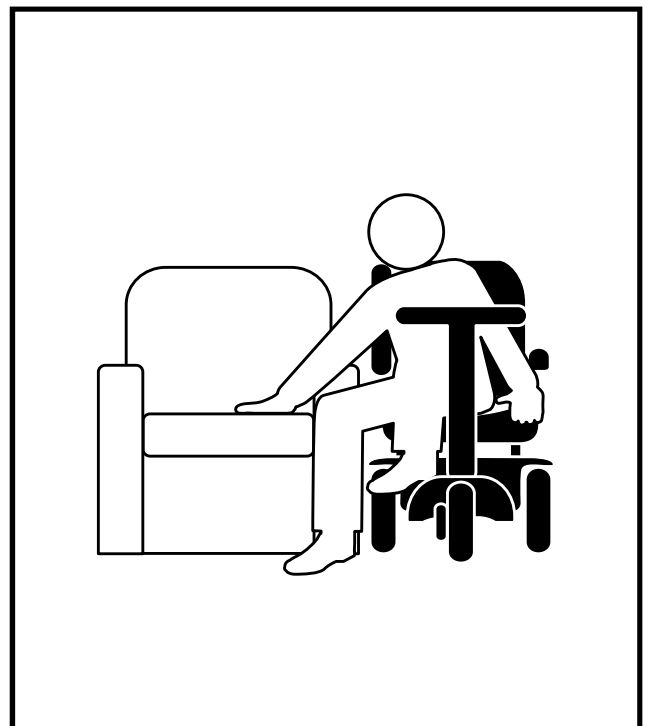


Figure 12. Getting off your scooter

V. DISASSEMBLY/ASSEMBLY AND FOLDING/UNFOLDING

TILLER ADJUSTMENT

The tiller can be raised and lowered for folding, storage and transport. See figure 13.

1. Pull the tiller lever to disengage the pin locking the tiller in place.
2. Hold tiller lever while adjusting height from folded height to driving height.
3. Release tiller lever once locked into driving height.

For your convenience, the i-Go can be disassembled for storage and transport.



WARNING! Do not lift weight beyond your physical capability. Ask for assistance when needed while disassembling or assembling your scooter.

NOTE: Prior to folding remove key, push circuit breaker toward front of scooter, and check for any items left on the unit or in the storage bin.

FOLDING/UNFOLDING

To fold your scooter (see figure 14):

1. Pull the locking pin to fold the seat back down onto the seat as shown in step 1.
2. Pull upward on the folded seat and squeeze the seat release to lower the seat to step 2.
3. While holding the main pivot handle, squeeze the tiller release handle and lift up on the main pivot handle while guiding the tiller and front section of the scooter toward the folded/upright position shown in step 3.
4. Engage the front-to-rear latch to secure the front and rear sections of the scooter as shown in step 4.
5. Lower the tiller by pulling the tiller adjustment lever as shown in step 5.

To unfold your scooter (see figure 14):

1. Raise the tiller using the tiller adjustment lever to the driving position as shown in step 5.
2. Disengage the front-to-rear latch to unsecure the front and rear sections of the scooter as shown in step 4.
3. While holding the main pivot handle, squeeze the tiller release handle and guide it forward away from the rear section of the scooter until it is in the driving position as shown in step 2.
4. Squeeze the seat release and then lift up on the seat until it is fully raised and in driving position as shown in step 2.
5. Pull the locking pin and unfold the seat back to an upright position as shown in step 1.

After unfolding your scooter:

1. Ensure that your scooter is in drive mode.
2. Install the battery if necessary. See figure 10.
3. Push the circuit breaker toward the rear of the scooter.
4. Insert the key into the key switch and turn clockwise to start.

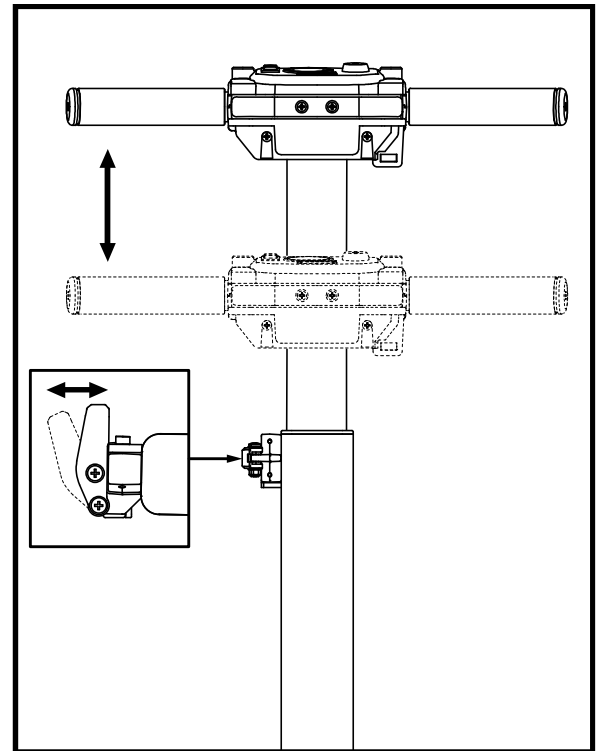


Figure 13. Tiller Adjustment

V. DISASSEMBLY/ASSEMBLY AND FOLDING/UNFOLDING

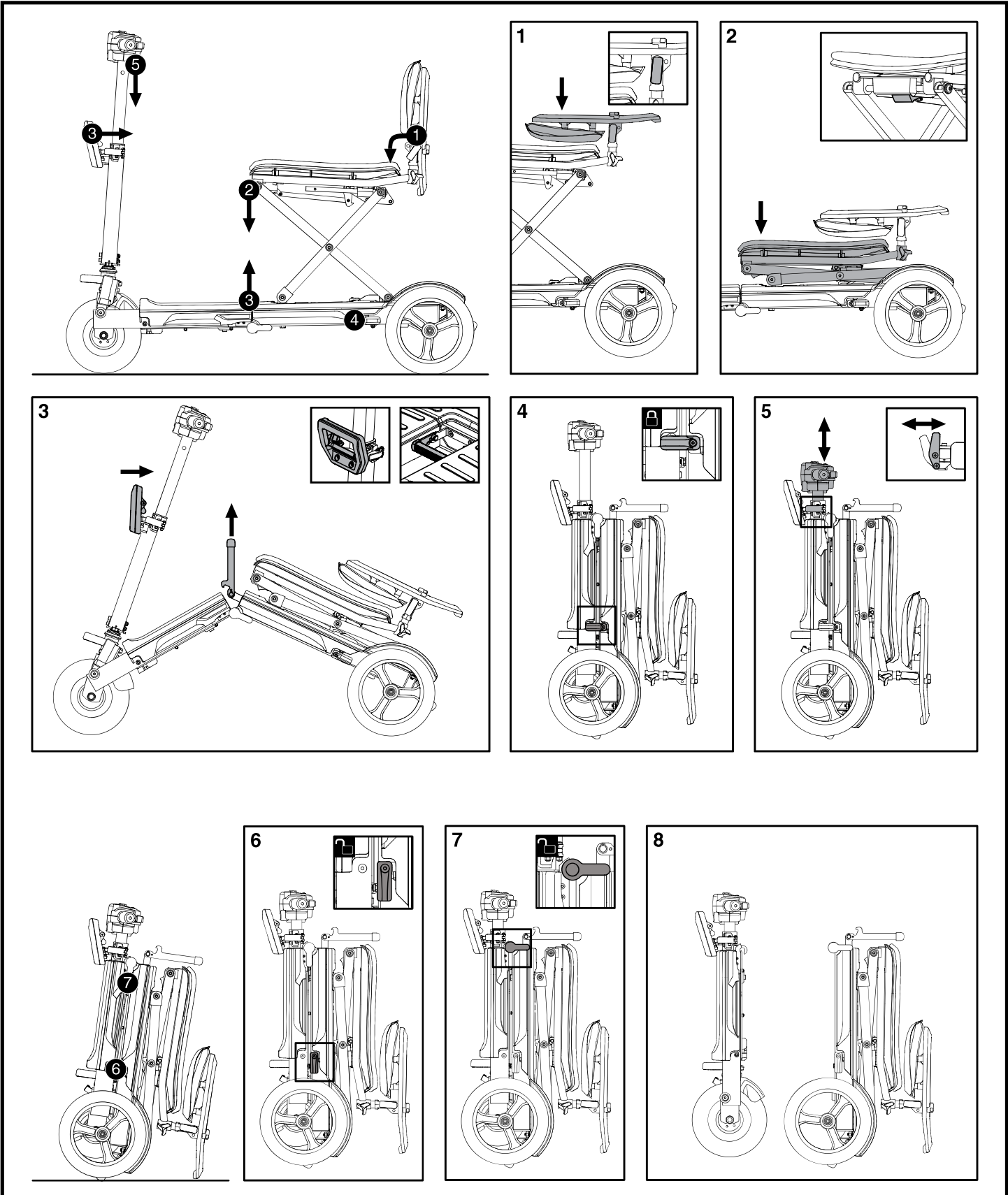


Figure 14. Folding for Transport

V. DISASSEMBLY/ASSEMBLY AND FOLDING/UNFOLDING

DISASSEMBLY

To disassemble your scooter (see figure 15):

1. Fold your scooter as shown in step 6 in **figure 14**. Refer to V. “Disassembly/Assembly and Folding/Unfolding” for more information.
2. Disengage the front-to-rear latch to free the front and rear sections as shown in step 6.
3. Turn both pivot pins 90° so they are horizontal to ground as shown in step 7.
4. Lift the front section of the scooter up and away from the rear as shown in step 8.

Removing the seat back from disassembled scooter (see figure 16):

1. Loosen both threaded knobs located on the seatback weldment.
2. Remove the seatback by lifting up on it.

ASSEMBLY

To assemble your scooter:

1. Line up the indicators on the front and rear sections and place the front section’s hooks onto the rear section’s pins as shown in step 8.
2. Turn both of the main pivot pins 90° toward the ground as shown in step 7.
3. Engage the front-to-rear latch to secure the front and rear sections together as shown in step 6.
4. Unfold your scooter as shown in **figure 14**. Refer to V. “Disassembly/Assembly and Folding/Unfolding” for more information.

TRANSPORT

To transport your folded scooter (see figure 17):

1. Fold your scooter as shown in step 6 in **figure 14**. Refer to V. “Disassembly/Assembly and Folding/Unfolding” for more information.

NOTE: Ensure the front-to-rear latch is engaged, securing the front and rear sections of the scooter.

2. Raise the tiller using the tiller lever.
3. While holding onto the handlebar, pull the tiller forward off of the kickstand and rubber bumpers.
4. Freely roll the unit on the rear tires

IDENTIFICATION KEY

1. Front Section
2. Rear Section
3. Battery

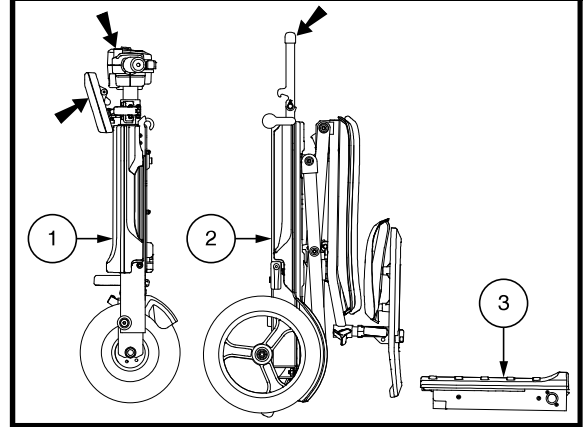


Figure 15. Disassembly

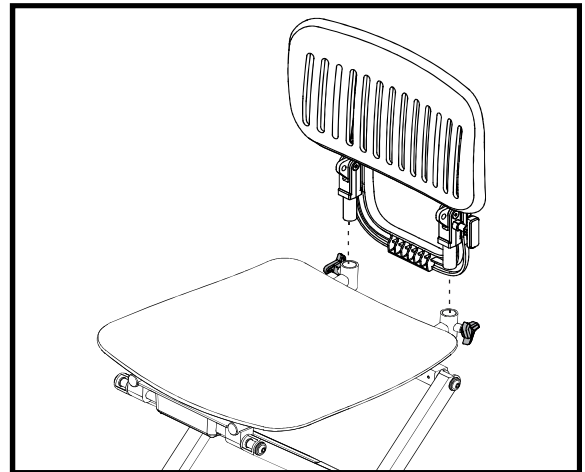


Figure 16. Seat Back Removal

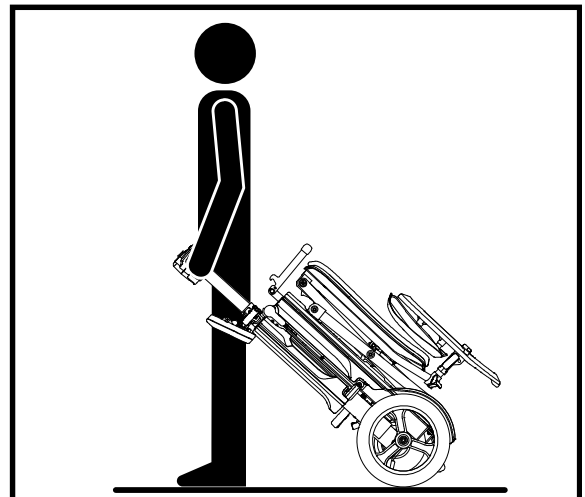


Figure 17. Transport

VI. BASIC TROUBLESHOOTING

What if all the systems on my scooter seem to be “dead”?

- Make certain that the circuit breaker is turned “ON” (toward the rear of the scooter).
- Check that the battery is fully charged.
- Make sure that the battery pack and its wires are connected tightly and correctly.
- Make certain that the battery pack is seated properly.

What if the scooter’s battery won’t charge?

- Ensure both ends of the charger power cord are connected properly.

What if the main circuit breaker repeatedly trips?

- If the main circuit breaker trips repeatedly, see your authorized Dealer for service.
- Charge the scooter’s battery pack more frequently. See III. “Batteries and Charging.”
- See III. “Batteries and Charging” or “Product Specifications Sheet” for information about your scooter’s battery type.

To check a fuse:

1. Remove the fuse holder by pressing in and turning one quarter turn counterclockwise.
2. Examine the fuse in the fuse holder. See **figure 18**. If the fuse is blown, it needs to be replaced.
3. Insert a new fuse of the proper rating into the fuse holder.
4. Reinstall the fuse holder by pressing in and turning one quarter turn clockwise.



WARNING! The replacement fuse must exactly match the rating of the old fuse. Failure to use properly rated and approved fuses may cause damage to the electrical system.

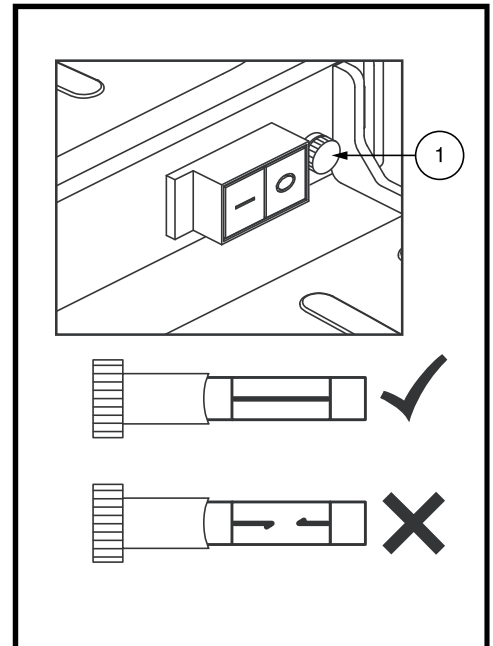


Figure 18. Fuse Replacement

VII. CARE AND MAINTENANCE

Your scooter requires a minimal amount of care and maintenance. If you do not feel confident in your ability to perform the maintenance listed below, you may schedule inspection and maintenance at your authorized Dealer. The following areas require periodic inspection and/or care and maintenance.

TIRES

Regularly inspect your scooter's tires for signs of damage or wear.

WHEEL REPLACEMENT

Your scooter is equipped with solid tire inserts. If you have a damaged or worn tire, the entire wheel must be replaced. Contact your authorized Dealer for information regarding replacement wheels for your scooter.



WARNING! Wheels on your scooter should only be serviced/replaced by a qualified technician.

WARNING! Be sure that the scooter is "OFF" and the battery is not connected before performing this procedure.

EXTERIOR SURFACES

Bumpers, tires, and trim can benefit from an occasional application of a rubber or vinyl conditioner.



WARNING! Do not use a rubber or vinyl conditioner on the scooter's vinyl seat or tire tread. They will become dangerously slippery.

CLEANING AND DISINFECTION

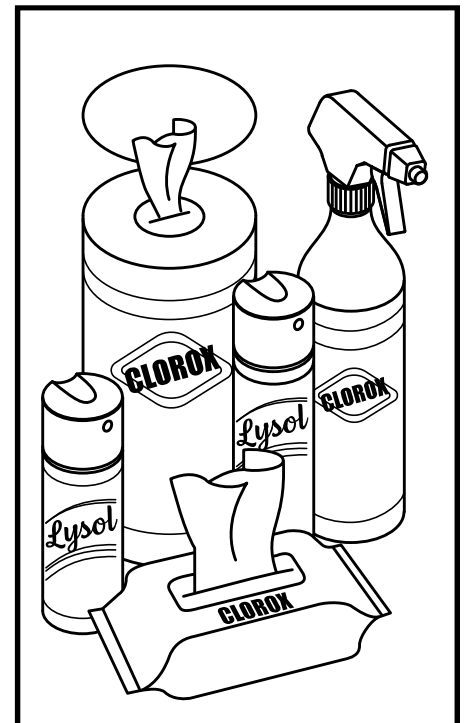
Precautions must be taken when cleaning equipment/products to lower the risk of spreading infection. This is to limit the spread of illness and other potentially infection material (OPIM) (blood components).

- Use a damp cloth and mild, non-abrasive cleanser to clean the plastic and metal parts of your scooter. Avoid using products that may scratch the surface of your scooter.
- If necessary, clean your product with an approved disinfectant. Make sure the disinfectant is safe for use on your product before application.

HOW TO CLEAN/DISINFECT EQUIPMENT:

HARD/SOFT SURFACES (Plastic shrouds, metal framing, seat fabric, tires, armrests and footplate mats, as applicable)

- For hard/soft surfaces, remove visible contamination if present.
 - For plastic and metal use Lysol®/Clorox® disinfecting spray/wipes and other qualified SARS-CoV-2 disinfecting products.
 - For other vinyl surfaces, clean with vinyl safe disinfecting wipes or solutions.
 - Suggested Disinfectants
 - Birex® SE Disinfectant, Bleach-Rite® Disinfecting Spray, Citrace® Germicide
 - Dispatch® Spray Hospital Cleaner Disinfectant with Bleach
 - Diluted Bleach Solution (10% dilution or less);
Note: Bleach with pH factor between 7 and 9 is suitable; a product with a pH of 10.5 or higher may damage the vinyl surface integrity over an extended period of time.
 - Disinfecting Wipes
 - Clorox, Green Works, PDI Sani-Cloth HB Wipes
 - Lysol, Oxivir, Virox, and CaviWipes.
 - For Tire cleaning, clean with off the shelf tire/wheel cleaners



VII. CARE AND MAINTENANCE

ELECTRONICS (Joystick controller, enhanced displays, touch screens, remote controls, keyboards, cell phones and tablets, as applicable)

- For electronics, remove visible contamination if present.
 - Turn off product and disconnect batteries.
 - Never spray any liquids directly into the product(s).
 - Moisten a microfiber cloth with a mixture of 70% isopropyl alcohol/30% water solution. The cloth should be damp, but not dripping or excessively wet. Dry surfaces thoroughly to avoid pooling of liquids and prior to boxing.

WARNING! Follow all safety instructions for the proper use of the disinfectant and/or cleaning agent before applying it to your product. Failure to comply may result in skin irritation or premature deterioration of upholstery and/or scooter finishes.



WARNING! Never use any cleaning or disinfecting agent, solvent, lubricant, or any other product on the brake pads, brake discs, transaxle, motor/gearbox of your mobility product. Doing so may damage the components and/or cause them not to function properly. Property injury and/or personal injury may result.

WARNING! Never hose off your scooter or place it in direct contact with water. Your scooter has a plastic body shroud that allows it to be easily wiped clean with a damp cloth.

WARNING! Never use any chemicals to clean a vinyl seat, as they may cause the seat to become slippery or dry out and crack. Use soapy water and dry the seat thoroughly.

BATTERY PACK CONNECTIONS

Make certain that the battery pack terminal connectors are tight and not corroded.

WIRING LEADS

- Regularly check all wiring connections.
- Regularly check all wiring insulation, including the charger power cord, for wear or damage.
- Have your authorized Dealer repair or replace any damaged connector, connection, or insulation that you find before using your scooter again.



PROHIBITED! Even though the scooter has passed the necessary testing requirements for ingress of liquids, you should keep electrical connections away from sources of dampness, including direct exposure to water or bodily fluids and incontinence. Check electrical components frequently for signs of corrosion and replace as necessary.



WARNING! Do not pull on electrical cords directly to detach them from the scooter. Always grasp the connector itself when disconnecting the cords to prevent wire damage.

DAILY CHECKS

- With the power turned off, check the throttle. Make sure it is not bent or damaged and that it returns to the neutral position when you release it. Do not try to repair it. See your authorized Dealer if there is a problem.
- Visually inspect all of the cables in the tiller. Make sure none are frayed, cut or have any wires exposed. See your authorized Dealer if there is a problem.
- Check for flat spots on tires. Flat spots could adversely affect stability.
- Check the brakes. This test should be carried out on a level surface with at least 3 feet (1 meter) of clearance around your scooter
- Check all cables, wires, latches and levers daily.
- Check the brake handles and wires daily. Contact your authorized Dealer if there is a problem.

VII. CARE AND MAINTENANCE

To check the brakes:

1. Turn key clockwise to power up (turn on) and push circuit breaker button towards rear of scooter.
2. Make sure all brake line connections are secure.
3. Slowly pull the throttle forward until you hear the electric brakes click. Immediately release the throttle. You must be able to hear the electrical brake operating within a few seconds of throttle movement. Repeat this test by pulling the throttle in the opposite direction.

WEEKLY CHECKS

- Inspect the tiller console, battery pack, and front tire for any corrosion. Contact your authorized Dealer if necessary.

MONTHLY CHECKS

- Check for tire wear. See your authorized Dealer for repair.
- Keep your scooter clean and free of foreign material such as mud, dirt, hair, food, drink, etc.

YEARLY CHECKS

Take your scooter to your authorized Dealer for yearly maintenance, especially if you use your scooter on a daily basis. This helps ensure that your scooter is functioning properly and helps prevent future complications.

PLASTIC SHROUDS

Wash plastic surfaces with a soft cloth soaked in mild detergent and warm water. Rinse thoroughly and dry with a soft cloth. Do not use solvents, abrasive kitchen cleaners, wax, detail spray, ArmorAll®, or any product made for glossy paint.

AXLE BEARINGS AND DRIVETRAIN ASSEMBLY

These items are all prelubricated, sealed, and require no subsequent lubrication.

CONSOLE, CHARGER AND REAR ELECTRONICS

- Keep these areas free of moisture.
- Allow these areas to dry thoroughly if they have been exposed to moisture before operating your scooter again.

NYLON LOCK NUT REPLACEMENT

Any nylon insert lock nut removed during the periodic maintenance, assembly, or disassembly of the scooter must be replaced with a new nut. Nylon insert lock nuts should not be reused as it may cause damage to the nylon insert, resulting in a less secure fit. Replacement nylon insert lock nuts are available at local hardware stores or through your authorized Dealer.

VII. CARE AND MAINTENANCE

STORING YOUR SCOOTER

If you plan on not using your scooter for an extended period of time, it is best to:

- Fully charge its battery prior to storage.
- Remove the battery pack from the scooter.
- Store your scooter in a warm, dry environment.
- Avoid storing your scooter where it will be exposed to temperature extremes.
- Recommended storage temperature: 14°F/-10°C to 77°F/25°C (optimal range is 59°F/15°C to 77°F/25°C).

Batteries that are regularly and deeply discharged, infrequently charged, stored in extreme temperatures, or stored without a full charge may be permanently damaged, causing unreliable performance and limited service life. It is recommended that you charge the scooter battery periodically throughout periods of prolonged storage to ensure proper performance.



WARNING! Always protect battery from freezing temperatures and never charge a frozen battery. Charging a frozen battery can result in damage to the battery.

For prolonged storage, you may wish to place several boards under the frame of your scooter to raise it off of the ground. This takes the weight off the tires and reduces the possibility of flat spots developing on the areas of the tires contacting the ground.

DISPOSAL OF YOUR SCOOTER

Your scooter must be disposed of according to applicable local and national statutory regulations. Contact your local waste disposal agency or authorized Dealer for information on proper disposal of packaging, metal frame components, plastic components, electronics, battery, neoprene, silicone, and polyurethane materials.



WARNING! Plastic bags are a suffocation hazard. Dispose of plastic bags properly and do not allow children to play with them.

NOTES



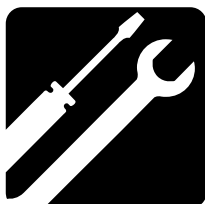
MONTAGE



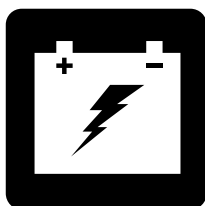
FONCTIONNEMENT



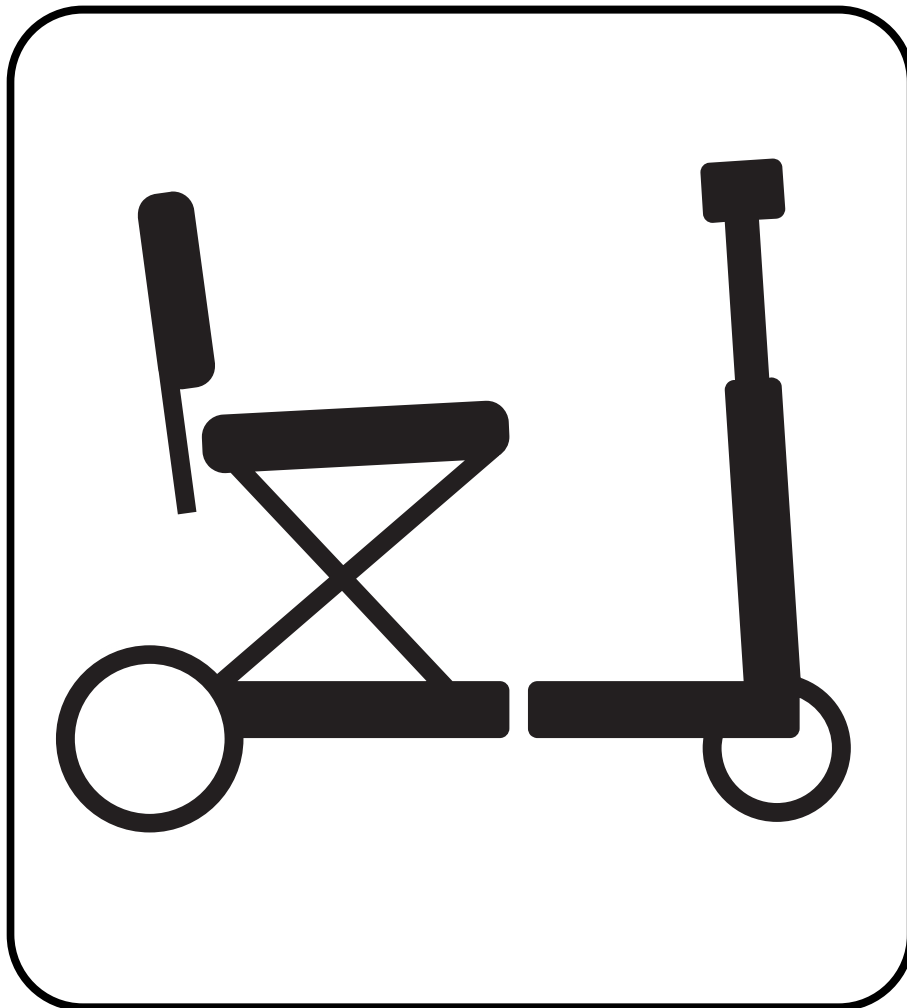
CONFORT



ENTRETIEN



RECHARGE DES BATTERIES



i-GO™ (S20)

NON-MEDICALE

MANUEL DE L'UTILISATEUR

CONSIGNES DE SÉCURITÉ

UTILISATION PRÉVUE

L'utilisation prévue de ce scooter Pride Mobility Products est de fournir une assistance à la mobilité aux personnes qui ont la capacité d'utiliser un produit de mobilité motorisé à des fins récréatives.

NOTE: Ce manuel a été préparé à partir des spécifications et informations disponibles au moment de sa publication. Nous réservons le droit d'apporter des changements lorsque il est nécessaire. Certains changements peuvent causer de légères variations entre les illustrations, les explications de ce manuel et l'produit que vous avez acheté. La dernière version de ce manuel est sur notre site Internet.

NOTE: Ce produit répond aux exigences et respecte les directives des normes WEEE, RoHS et REACH.

NOTE: Ce produit conforme à la classification IPX4 (IEC 60529).

NOTE: Le scooter et ses composants ne sont pas fabriqués avec du latex de caoutchouc naturel. Consultez le fabricant en ce qui concerne les accessoires après-vente.

NOTE: Ce produit n'est pas un produit médical et ne vise pas à aider, soigner, diagnostiquer ou atténuer toute condition médicale ou invalidité.

TABLE DES MATIERES

CONSIGNES DE SECURITE	29
INTRODUCTION	30
I. SECURITE	31
II. VOTRE SCOOTER	33
III. BATTERIES ET RECHARGE	35
IV. FONCTIONNEMENT	42
V. DEMONTAGE/MONTAGE ET PLIAGE/DEPLIAGE	44
VI. PROBLEMES ET SOLUTIONS	47
VII. SOINS ET ENTRETIEN	48

CONSIGNES DE SÉCURITÉ



MISE EN GARDE! Votre marchand autorisé ou un technicien qualifié doit faire le montage initial de ce scooter et suivre toutes les procédures énumérées dans ce manuel.

Les symboles suivants sont utilisés tout au long de ce manuel pour identifier les mises en garde et moments d'attention particulière. Il est important de les comprendre et de les suivre à la lettre.



MISE EN GARDE! Indique une condition/situation potentiellement dangereuse. Vous devez respecter les consignes sous peine de vous blesser, de causer des dommages ou un mauvais fonctionnement. Ce pictogramme apposé sur le produit est de couleur noire sur un triangle jaune avec bordure noire.



OBLIGATOIRE! Ces actions doivent être exécutées selon les consignes sous peine de vous blesser, et/ou d'endommager l'produit. Ce pictogramme apposé sur le produit est de couleur blanche avec un point bleu et bordure blanche.



INTERDIT! Ces actions sont interdites. Vous ne devez sous aucune considération, entreprendre ces actions. Ces actions peuvent entraîner des blessures et/ou dommages à votre équipement. Ce pictogramme apposé sur le produit est de couleur noire avec un rond rouge et barre rouge.



PROPOSITION 65 DE LA CALIFORNIE AVERTISSEMENT! Ce produit peut contenir des substances connues de l'état de Californie pour causer le cancer et des malformations congénitales ou autres problèmes de reproduction. Pour plus d'informations, visitez www.P65Warnings.ca.gov.

INTRODUCTION

SECURITE

Votre scooter est un produit aux lignes modernes et attrayantes, fabriqué selon une technologie d'avant-garde mais surtout **sécuritaire** et confortable. Nous sommes convaincus que sa fiabilité, ses fonctionnalités et les services qu'il vous rendra feront de vous un propriétaire satisfait. Lorsque vous serez accoutumé avec le fonctionnement **sécuritaire** et l'entretien de votre scooter, celui-ci vous fournira plusieurs années de service sans problèmes.

Lisez et suivez toutes les instructions, mises en garde et notes contenues dans ce manuel avant de tenter d'utiliser votre scooter pour la première fois. Vous devez de plus, lire toutes les instructions, mises en garde et notes contenues dans le manuels d'instructions supplémentaires du qui accompagnent votre scooter avant de l'utiliser pour la première fois. Votre **sécurité** dépend de votre bon jugement.

Si vous ne comprenez pas quelque information contenue dans ce manuel ou si vous avez besoin d'aide pour préparer ou faire fonctionner votre produit, S.V.P. contactez votre marchand. **Le non-respect des instructions contenues dans ce manuel et/ou sur les autocollants apposés sur votre produit peut provoquer des accidents avec blessures, des dommages et entraîner l'annulation de la garantie.**

CONVENTION A L'ACHAT

En acceptant ce produit, vous vous engagez à ne pas modifier, altérer, enlever ou rendre inutilisables les protecteurs, gardes de sécurité et/ou dispositifs de sécurité. Vous vous engagez à ne pas refuser ni négliger de faire installer les trousse de mise à jour au besoin, fournies afin de maintenir ou améliorer l'aspect sécuritaire de votre scooter.

TRANSPORT ET RECEPTION DU SCOOTER

Vérifiez que vous avez bien reçu l'ensemble des composantes avant d'utiliser votre scooter car certaines composantes peuvent avoir été emballées séparément. Si des pièces sont manquantes, S.V.P. contactez votre marchand autorisé immédiatement. Si vous constatez des dommages au contenant ou au contenu subis lors du transport, contactez le transporteur responsable.

NOTE: *Si vous perdez ou égarez votre manuel du propriétaire, téléphonez ou écrivez-nous, ce sera avec plaisir que nous vous ferons parvenir immédiatement des documents de remplacement.*

I. SECURITE

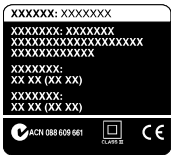
PICTOGRAMME DE SECURITE

Les pictogrammes ci-dessous sont utilisés sur le scooter pour indiquer les actions obligatoires, mises en garde et actions prohibées. Il est très important de les lire et de bien les comprendre.

NOTE: Vous trouverez davantage d'avertissements identifiés et expliqués dans le guide de la sécurité du consommateur inclus avec votre scooter. Veuillez-vous familiariser avec tous les avertissements et les consignes de sécurité contenus dans le guide de la sécurité du consommateur et référez-vous souvent à cette ressource.



Lisez et respectez les consignes et informations contenues dans ce manuel.



Plaques des information



Rechargez les batteries complètement avant l'utilisation.

Retirez la clé de votre scooter lorsque celui-ci est laissé sans surveillance.



Ce scooter n'est pas conforme à la norme ISO 7176-19 pour être occupé (personne prenant place sur le siège du véhicule) pendant le transport dans un véhicule en marche. Ne vous assoyez pas dans votre scooter lorsque celui-ci est dans un véhicule en mouvement.



Fabriqué en

I. SECURITE

GENERAL



MISE EN GARDE! Ne prenez pas votre scooter pour la première fois sans avoir lu et compris les instructions et consignes de sécurité contenues dans ce manuel.

Votre scooter est un produit de pointe d'amélioration de la vie, conçu pour accroître la mobilité. Nous offre une grande gamme de produits pour mieux répondre aux besoins individuels de l'utilisateur du scooter. S'il vous plaît soyez conscient que la sélection finale et la décision d'achat concernant le type de scooter à utiliser est la responsabilité de l'utilisateur du scooter, qui est capable de prendre une telle décision.

ATTENTION! L' n'est pas destiné à être utilisé par une personne qui ne peut pas subvenir à ses besoins en position debout.



ATTENTION! Avant d'utiliser votre scooter, familiarisez-vous avec l'emplacement et l'utilisation des commandes, notamment le timon de direction et le levier d'accélérateur. Pendant le fonctionnement, gardez toujours les deux mains sur le timon pour assurer un fonctionnement en toute sécurité du scooter. Ne pas relâcher accélérateur et engager le frein à main lors de l'arrêt du scooter peut entraîner une collision avec des personnes ou des objets, pouvant entraîner des dommages matériels, des blessures ou la mort.

Ce qui suit sont des précautions, des conseils et d'autres considérations de sécurité destinés à vous aider à vous habituer à utiliser votre scooter en toute sécurité. Bien que nous reconnaissons que les utilisateurs de scooters développeront éventuellement des compétences pour gérer les activités quotidiennes, qui peuvent différer de celles présentées dans ce guide, il est impératif que toutes les consignes de sécurité dans ce manuel soient respectées afin d'assurer la sécurité des utilisateurs. Omettre de respecter les consignes de sécurité dans ce manuel ou d'autres manuels fournis par le fabricant, et ceux situés sur votre scooter, pourraient entraîner des blessures corporelles ou des dommages à votre scooter et peut résulter en une annulation de la garantie du produit.

Vérification de sécurité avant le départ

Apprenez à connaître les capacités et limites de votre scooter. Faites les vérifications requises avant chaque sortie pour vous assurer d'un fonctionnement sans problème et sécuritaire.

Inspectez les points suivants avant de prendre la route:

- Vérifiez la pression dans les pneus. Le cas échéant, assurez-vous qu'ils sont correctement gonflés et non endommagés ou excessivement usés.
- Inspectez les connexions électriques. Vérifiez qu'il n'y a pas de rouille et qu'elles soient bien serrées.
- Vérifiez le câble et les fils. Assurez-vous qu'elles soient branchées de façon sécuritaire.
- Vérifiez les freins afin de s'assurer qu'ils fonctionnent correctement.
- Vérifiez le compteur d'état de la batterie pour s'assurer que les batteries sont complètement chargées.
- Assurez-vous que la manette de déblocage manuelle est en mode d'entraînement avant de s'asseoir sur le scooter.



ATTENTION! Assurez-vous que le siège est complètement relevé et fixé en position de conduite avant de vous asseoir sur votre scooter. Le non-respect de cette consigne peut entraîner des dommages matériels et/ou des blessures corporelles.

Si vous découvrez un problème, contactez votre Marchand autorisé pour obtenir de l'aide. Référez-vous aux informations de contact qui sont incluses dans votre paquet du propriétaire.

Informations sur le freinage

Les scooters sont équipés de deux systèmes de freinage puissants—régénératif et frein de stationnement à disque. Le freinage régénératif utilise l'électricité pour ralentir rapidement le scooter à un état neutre. Le freinage par frein de stationnement à disque s'active mécaniquement une fois que le freinage régénératif ralentit le véhicule au point d'arrêt, ou lorsque l'alimentation est coupée du système pour une raison quelconque.

À moins d'être équipé d'un produit spécialisé, la vitesse de votre scooter est contrôlée par une manette d'accélération. Lorsque la manette d'accélération est déplacée du centre (point mort), un signal électronique est envoyé au système de freinage. Le signal provoque la libération de freins électromagnétiques, permettant au véhicule de se déplacer. Plus on applique de pression à la manette d'accélération, plus le véhicule se déplace à une vitesse maximale pré-réglée. Lorsque la manette d'accélération est relâchée et retourne au centre (point mort), le signal électronique est inversé et les freins électromagnétiques s'engagent, permettant au scooter de pouvoir ralentir et de s'arrêter.

II. VOTRE SCOOTER

TABLEAU DE BORD

La tableau de bord contient toutes les commandes nécessaires à la conduite de votre scooter de voyage, y compris le batterie condition mètre et la accélérateur. **Voir la figure 1.**



INTERDIT! N'exposez pas le tableau de bord à l'humidité. Si le tableau venait à être mouillé, ne tentez pas d'utiliser votre scooter avant que le tableau ait été asséché à fond.

CLE D'IDENTIFICATION

- | | |
|---------------------------------|--------------------------|
| 1. Miroir et prises pour miroir | 5. Cle de contact |
| 2. Commutateur Hi-Lo | 6. Levier d'accélérateur |
| 3. Jauge à batteries | 7. Chargeur USB |
| 4. Klaxon | 8. Commutateur des feux |

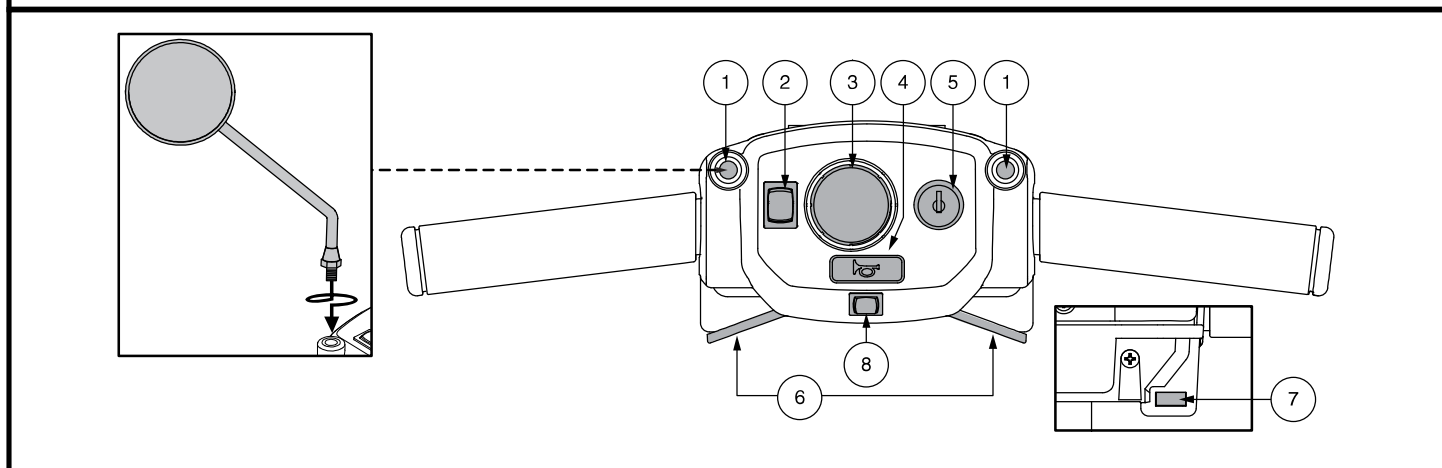


Figure 1. Tableau de bord

NOTE: Avant la première utilisation, la batterie doit être activée. Pour les instructions d'activation, voir III "Batteries et chargement" / IV "Fonctionnement".

Clé de contact

- Insérez la clé et tournez-la dans le sens des aiguilles d'une montre pour allumer votre scooter.
- Tournez la clé dans le sens opposé pour couper le contact de votre scooter.

Levier d'accélérateur

Ces leviers vous permettent de contrôler la vitesse avant et arrière de votre scooter.

Pour utiliser le levier de contrôle d'accélération:

- Pour **avancer**, utilisez votre pouce droit pour pousser le côté droit du levier de commande des gaz.
- Pour vous déplacer vers **l'arrière**, utilisez votre pouce gauche pour pousser le côté gauche du levier de commande des gaz.

Commutateur des feux

Ce bouton commande les feux de votre scooter.

- Basculez le bouton vers l'avant pour allumer les feux.
- Basculez le bouton vers l'arrière pour éteindre les feux.

Commutateur Hi-Lo

Pour changer la vitesse maximale du scooter entre les réglages Hi/Lo. Basculer l'interrupteur vers l'avant sur (Hi) pour atteindre la vitesse maximum préprogrammée pour le scooter. Basculer l'interrupteur vers l'arrière (Low) pour atteindre la moitié de la vitesse maximum programmée pour le scooter.

II. VOTRE SCOOTER

Jauge à batteries

Lorsque vous appuyez sur le bouton d'alimentation pour allumer votre scooter, cet indicateur indique la force approximative de la tension de la batterie. Pour plus d'informations sur le chargement de la batterie, voir III. "Batteries et recharge."

Module transmission

L'ensemble de transmission est une unité électromécanique qui convertit l'énergie électrique des batteries de votre scooter en énergie mécanique contrôlée qui entraîne les roues du scooter.

Boîtier de batterie

Votre scooter est équipé d'un système novateur facile à enlever batterie Lithium-Ion. Voir III. "Batteries et recharge" pour les instructions de remplacement de la batterie. **Voir la figure 2 et 3.**

Bouton du disjoncteur principal (Bouton de d'enclenchement)

Quand la tension dans les batteries de votre scooter devient faible ou la le scooter est fortement sollicité en raison de charges excessives ou pentes raides, le disjoncteur principal peut déclencher pour protéger le moteur et les composants électroniques ne sont pas endommagés. **Voir la figure 3.**

- La tête du bouton du disjoncteur sort lorsqu'il est déclenché.
- Lorsqu'il est déclenché, tous les circuits sont hors service.
- Éteignez l'interrupteur à clé.
- Attendez une minute avant d'essayer d'enclencher le circuit à nouveau.
- Appuyez sur le bouton de réinitialisation vers l'arrière du scooter pour réinitialiser le disjoncteur principal.
- Si le disjoncteur principal se déclenche fréquemment, vous devrez peut-être pour recharger vos batteries plus souvent.
- Si le disjoncteur saute à nouveau, vous devrez voir votre marchand autorisé pour faire vérifier votre produit.

CLE D'IDENTIFICATION

1. Connecteur XLR
2. Connecteur de batterie
3. Bouton d'affichage de charge LED
4. Affichage de charge LED

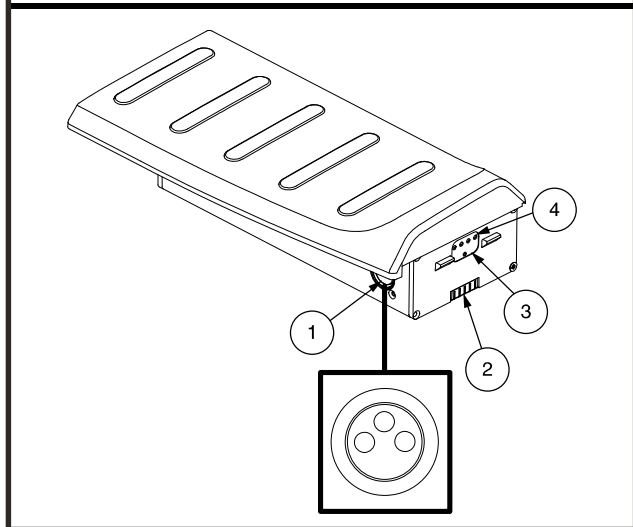


Figure 2. Boîtier de batterie

CLE D'IDENTIFICATION

1. Bouton marche
2. Batterie
3. Port XLR

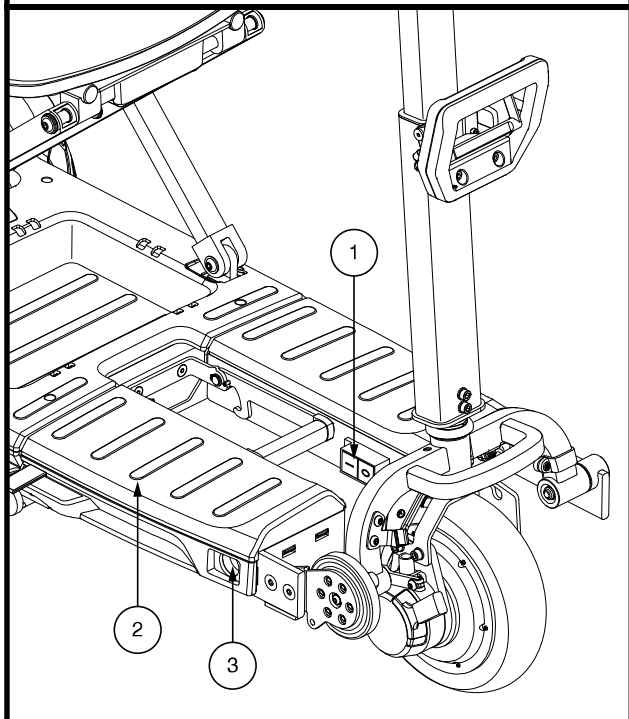


Figure 3. Disjoncteur principal

II. VOTRE SCOOTER

Réceptacle du cordon du chargeur

L'extrémité à 3 broches du cordon d'alimentation du chargeur se branche dans cette prise. Voir les figure 4.

Chargeur a batteries externe

Vous devez brancher le chargeur à batteries externe dans son réceptacle et dans une prise murale standard pour la recharge des batteries de votre scooter. Voir la figure 4.

Levier d'embrayage manuel

Chaque fois que vous avez besoin ou que vous souhaitez pousser votre scooter sur de courtes distances, vous pouvez le mettre en mode roue libre.

1. Retirez la clé de l'interrupteur.
2. Poussez le bouton du disjoncteur vers l'avant du scooter.
3. Localisez le levier de roue libre manuel près de la roue avant. Voir la figure 4.
4. Poussez vers le bas sur le levier de roue libre manuelle pour désactiver le système d'entraînement et le système de freinage. Vous pouvez maintenant pousser votre scooter.
5. Tirer le levier de roue libre manuelle vers le haut pour réengager les systèmes d'entraînement et de freinage ; cela prend votre scooter hors du mode roue libre.

MISE EN GARDE! Lorsque le scooter est en mode roues libres (au neutre) les freins sont relâchés.

- Passez en mode roues libre seulement lorsque le scooter est sur une surface horizontale.
- Assurez-vous que la clé n'est pas sur le contact.
- Tenez-vous debout à côté le scooter pour passer en mode roues libres ou pour embrayer les moteurs. Ne jamais le faire alors que vous êtes assis sur le siège.
- Lorsque vous avez terminé le déplacement manuel du scooter, remettez toujours le scooter en mode embrayé afin d'engager les freins.

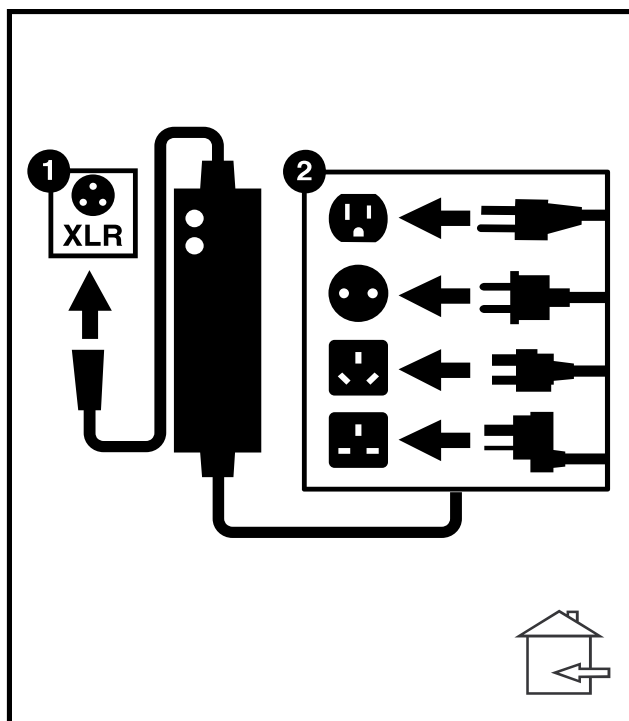


Figure 4. Chargeur à batteries externe

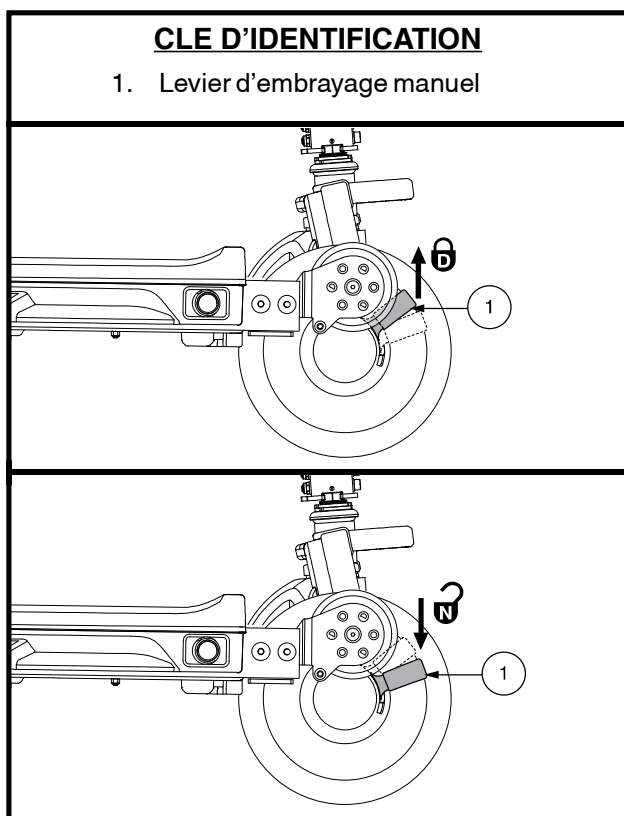


Figure 5. Levier d'embrayage manuel

III. BATTERIES ET RECHARGE

BATTERIES ET RECHARGE

Votre scooter nécessite un boîtier de batterie au lithium-ion scellé et sans entretien. Elle sont rechargées par le chargeur externe.

- Chargez vos batterie avant la toute première utilisation de votre scooter. Chargez complètement la batterie de votre scooter à l'aide du chargeur fourni avec le scooter. Branchez d'abord le chargeur sur votre scooter, puis branchez le chargeur sur une prise électrique.
- Gardez vos batterie bien chargées pour éviter les complications.

LECTURE DU VOLTAGE DES BATTERIES

VOLTMÈTRE À MATRICE DE POINTS

L'affichage LED qui fait partie de l'indicateur d'état de la batterie sur la console de barre indique le pourcentage restant approximatif de la charge de votre batterie. À pleine charge, l'icône indiquera FL, indiquant une batterie complètement chargée. Avec une utilisation continue, l'affichage LED affichera des nombres décroissants au fur et à mesure que votre charge se décharge. Une fois que le display LED atteint 10% de la durée de vie de la batterie, il indiquera LO et une recharge immédiate est nécessaire. **Voir la figure 6 (1a)**. Pour garantir la plus grande précision, l'indicateur de l'état de la batterie doit être vérifié lorsque vous utilisez votre scooter à pleine vitesse sur une surface sèche et plane.

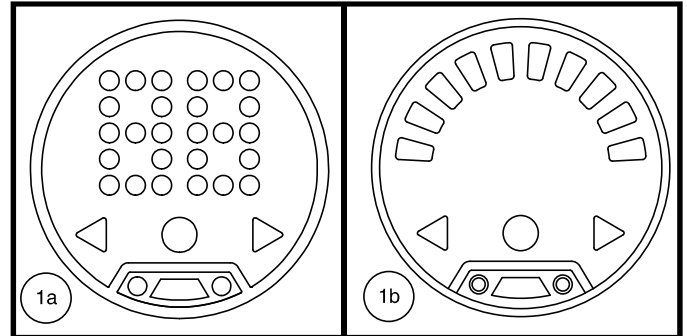


Figure 6. Jauge à batteries

VOLTMÈTRE AMBIANT

L'indicateur d'état de la batterie sur la console de la barre franche indique la puissance approximative de vos batteries à l'aide d'un code couleur. De droite à gauche sur le compteur, le vert indique des batteries complètement chargées, le jaune une charge qui se vide et le rouge indique qu'une recharge immédiate est nécessaire. **Voir figure 6 (1b)**. Pour garantir la plus grande précision, l'indicateur d'état de la batterie doit être vérifié lorsque vous utilisez votre scooter à pleine vitesse sur une surface sèche et plane.

NOTE: Les scooters sont équipés d'un indicateur d'état de la batterie à détection de lumière ambiante qui ajuste automatiquement la luminosité en fonction de l'éclairage de l'environnement.

RECHARGE DES BATTERIES



INTERDIT! Vous risquez de provoquer une situation dangereuse si vous enlevez la branche de mise à la terre du connecteur électrique sur le cordon d'alimentation du chargeur. Au besoin, installez un adaptateur à 3 branches sur la prise électrique à 2 fentes.



INTERDIT! N'utilisez jamais une rallonge de cordon électrique pour brancher le chargeur à batteries. Branchez-le directement dans une prise électrique standard.



INTERDIT! Ne laissez pas d'enfant jouer sans surveillance près d'un scooter lorsque vous rechargez les batteries. Nous recommandons de ne pas recharger les batteries lorsque le scooter est occupé.



OBLIGATOIRE! Lisez les instructions sur le fonctionnement du chargeur dans ce manuel et celles contenues dans le manuel fourni avec le chargeur avant de commencer la recharge des batteries.



MISE EN GARDE! Des vapeurs explosives peuvent être émises pendant la recharge des batteries. Ventilez adéquatement la pièce et n'approchez pas du chargeur avec des étincelles ou une flamme ouverte pendant la recharge des batteries.



MISE EN GARDE! Vous devez recharger la batterie avec le chargeur externe qui a été fourni avec votre scooter. N'utilisez pas un autre chargeur.

III. BATTERIES ET RECHARGE

MISE EN GARDE! Inspectez le chargeur, les fils et les connecteurs avant chaque utilisation. Contactez votre revendeur autorisé si des dommages sont constatés ou suspectés d'être endommagés.

MISE EN GARDE! Ne tentez pas d'ouvrir le boîtier du chargeur. Si le chargeur ne semble pas fonctionner correctement, contactez votre revendeur autorisé.



MISE EN GARDE! Si le chargeur est équipé de fentes de refroidissement, ne tentez pas d'insérer d'objets dans ces fentes.

MISE EN GARDE! Soyez conscient que le boîtier du chargeur de batterie peut devenir chaud pendant la charge. Évitez tout contact cutané et ne placez pas dessus des surfaces susceptibles d'être affectées par la chaleur.

MISE EN GARDE! N'essayez pas de faire fonctionner votre scooter avec des piles épuisées, car vous pourriez vous retrouver coincé.



MISE EN GARDE! Les chargeurs de batterie ne conviennent pas aux enfants.



MISE EN GARDE! N'exposez pas votre chargeur aux intempéries sauf si celui-ci a été approuvé pour l'usage à l'extérieur. Si le chargeur est exposé aux intempéries, alors il doit avoir le temps de s'adapter aux conditions internes avant de l'utiliser à l'intérieur. Référez-vous au manuel fourni avec le chargeur pour de plus amples informations.

Voici comment recharger vos batteries sécuritairement:

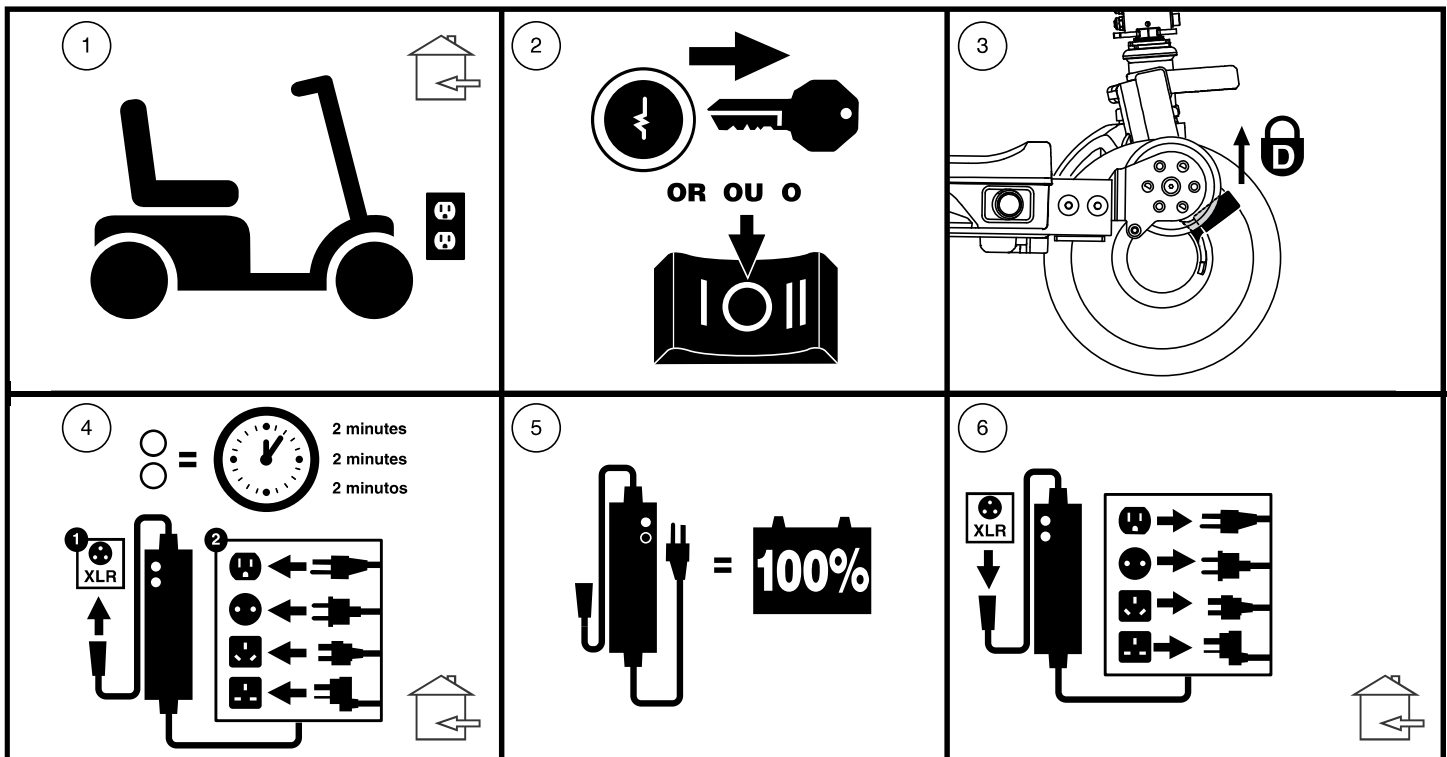


Figure 7. Recharge des batteries schéma des procédures

Pour charger en toute sécurité votre batterie au lithium-ion:

1. Placez votre scooter à côté d'une prise électrique. Voir la figure 4.
2. Retirez la clé.
3. Assurez-vous que le scooter est en mode de conduite. Voir la figure 5.
4. Connectez le chargeur XLR Lithium-Ion à 3 broches dans le port de charge à 3 broches du scooter.
5. Branchez le cordon d'alimentation du chargeur dans la prise électrique murale. Voir la figure 8.
6. Attendez deux (2) minutes. Deux (2) voyants rouges sur le chargeur indiquent que la charge a commencé.

III. BATTERIES ET RECHARGE

7. Les batteries sont complètement chargées lorsque la LED du chargeur de batterie est verte.

NOTE: Si les étapes ci-dessus n'ont pas été effectuées dans le bon ordre, débranchez le cordon du chargeur de la prise électrique murale et du scooter, attendez une (1) minute, puis répétez les étapes ci-dessus dans l'ordre indiqué.

8. Débranchez le chargeur de batterie du véhicule électrique et de la prise électrique.



MISE EN GARDE! Ne touchez pas la surface chaude. Les personnes qui ont des problèmes de sensibilité doivent prendre des précautions supplémentaires pour éviter de toucher les surfaces chaudes du chargeur.



MISE EN GARDE! Le chargeur de batterie peut avoir des voyants lumineux qui s'allument dans certaines conditions. Référez-vous au manuel fourni avec le chargeur pour les instructions complètes sur les voyants lumineux.

NOTE: Le scooter possède un dispositif qui bloque le fonctionnement du scooter et de sa jauge à batteries pendant la recharge de batteries.

QUESTIONS POSEES FREQUEMMENT

Comment fonctionne le chargeur?

Reportez-vous au manuel fourni avec le chargeur de batterie pour les instructions de chargement.

Puis-je utiliser un autre chargeur?

Non. Toute méthode de charge utilisant un chargeur autre que celui fourni avec votre scooter est particulièrement interdite.

Que faire si la batterie ne se recharge pas?

- Assurez-vous que le chargeur XLR à 3 broches est d'abord branché sur le port de charge à 3 broches du scooter. Branchez ensuite le cordon d'alimentation dans la prise électrique murale.
- Si équipé, assurez-vous que le fusible de la batterie est en état de marche.
- Assurez-vous que les deux extrémités du cordon d'alimentation soient bien branchées à fond.
- Assurez-vous que le voyant de charge, situé sur le chargeur, fonctionne comme indiqué dans le manuel du chargeur.

À quelle fréquence dois-je recharger mes batterie?

Deux facteurs influencent la nécessité de recharger le batterie:

- Une utilisation journalière.
- Une utilisation occasionnelle du scooter.

Avec ces considérations à l'esprit, vous serez en mesure de déterminer à quelle fréquence et pendant combien de temps vous devez recharger le batterie de votre scooter. Bien que le chargeur de batterie intégré ait été conçu de façon à ne jamais surcharger le batterie, plusieurs propriétaires hésitent à charger leurs batteries régulièrement.

- Si vous suivez les conseils décrits ci-dessous, vos batteries seront fiables et plus durables.
- Si vous utilisez votre scooter toute la journée, rechargez vos batterie dès que vous avez fini de l'utiliser.
- Ne stockez jamais votre scooter avec une/des batteries complètement déchargées.

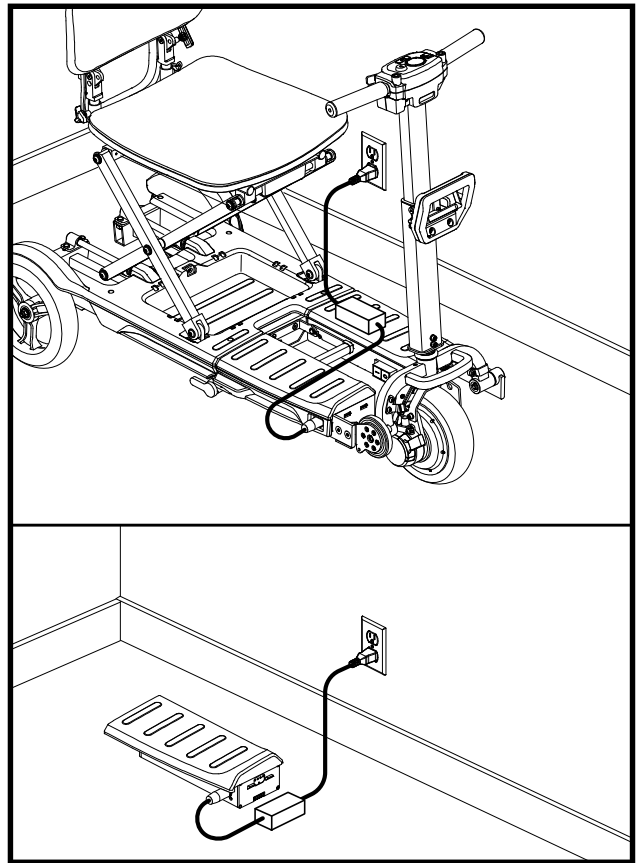


Figure 8. Batterie en charge

III. BATTERIES ET RECHARGE

NOTE: Gardez vos batteries bien rechargées et évitez de les décharger complètement. Reportez-vous au manuel fourni avec le chargeur de batterie pour les instructions de chargement.

NOTE: La batterie de votre scooter ne doivent être chargées qu'à température. Évitez de charger la batterie dans des environnements à températures extrêmes telles que des voitures chaudes, des rebords de fenêtres, des garages chauds ou froids. Évitez les environnements générateurs de chaleur. Reportez-vous au manuel fourni avec le chargeur de batterie pour les instructions de chargement.

Comment puis-je garantir une autonomie maximale de la batterie?

Les batteries au Lithium-Ion fonctionnent mieux avec une charge courte ou à intervalles et des décharges partielles. Protégez votre scooter et votre batterie de la chaleur ou du froid extrême. La batterie régulièrement et profondément déchargées, rarement chargées, stockées à des températures extrêmes ou stockées sans une charge complète peuvent être endommagées de manière permanente, entraînant des performances peu fiables et une durée de vie limitée. Vous trouverez ci-dessous des suggestions de température pour le fonctionnement, le stockage et la charge de votre/vos batteries au Lithium-Ion.

NOTE: La fiabilité de la batterie est proportionnelle aux soins qu'elles ont reçus.

Plage de température de fonctionnement recommandée:

- 14°F/-10°C à 122°F/50°C (la plage optimale est de 59°F/15°C à 77°F/25°C)

Plage de température de stockage recommandée:

- 14°F/-10°C à 122°F/50°C (la plage optimale est de 59°F/15°C à 77°F/25°C)

Plage de température de charge recommandée:

- 32°F/0°C à 104°F/40°C (la température optimale est de 68°F/20°C)

NOTE: Pour prolonger la durée de vie de la batterie, éteignez toujours le scooter et retirez la clé lorsqu'il n'est pas utilisé.

Comment obtenir une distance maximale avec mes batteries?

Les conditions de conduite ne sont pas toujours idéales ie: terrain ferme et plat, sans courbe et sans vent contraire. Souvent, nous faisons face à des pentes, des crevasses dans les trottoirs, du gravier, des courbes, etc. Ces facteurs affecteront la distance que vous pourrez parcourir avec votre scooter. Voici quelques suggestions pour maximiser la distance parcourue avec une recharge de batterie:

- Les batteries au Lithium-Ion fonctionnent mieux avec une charge courte ou à intervalles et des décharges partielles.
- Planifiez votre sortie de façon à éviter les pentes et les surfaces difficiles.
- Emportez le minimum de bagages.
- Essayez de maintenir une vitesse constante.
- Évitez d'arrêter et de repartir fréquemment
- Si vous stockez votre boîtier de batterie plus de trente (30) jours, nous vous recommandons de charger votre batterie une fois par mois pour améliorer les performances de la batterie et sa durée de vie. Suivez les instructions de charge comme recommandé dans le manuel fourni avec le chargeur de batterie.
- Assurez-vous qu'elles les câbles soient branchées de façon sécuritaire.
- L'utilisation de votre scooter à une vitesse réduite améliorera l'autonomie.

Quel type de batterie devrais-je utiliser?

Votre scooter nécessite un boîtier de batterie au lithium-ion. Référez-vous à la notice du produit fournie avec votre manuel du propriétaire dans l'emballage du propriétaire.



MISE EN GARDE! Les batteries contiennent des produits corrosifs. Remplacez un boîtier de batterie au Lithium-Ion d'origine par un boîtier de batterie au Lithium-Ion de remplacement approuvé pour réduire le risque de fuite ou de conditions explosives.

III. BATTERIES ET RECHARGE

NOTE: *Boîtiers de batterie fissurés n'ont pas besoin d'ajout de liquide.*

Pourquoi mes nouvelles batteries semblent-elles faibles?

Les batteries de type Lithium-Ion sont très différentes des batteries d'automobiles, nickel/cadmium ou des autres batterie de type courant. Entre autres, les composantes chimiques utilisées dans les batterie à décharge poussée augmentent leur puissance et permettent de les recharger rapidement.

En collaboration avec son revendeur de batterie, nous équipons nos scooters avec les meilleures batteries disponibles. Elles sont chargées à bloc avant la livraison, cependant le transport les expose à des conditions climatiques parfois extrêmes qui peuvent affecter leur performance. En effet, la chaleur et le froid réduisent la charge de batterie et augmentent le temps nécessaire pour les recharger.

Une batterie gelée peut prendre quelques jours pour se stabiliser à la température ambiante. De plus, il est important de se rappeler que les batteries atteindront leur performance maximale après quelques cycles d'utilisation et de recharge.

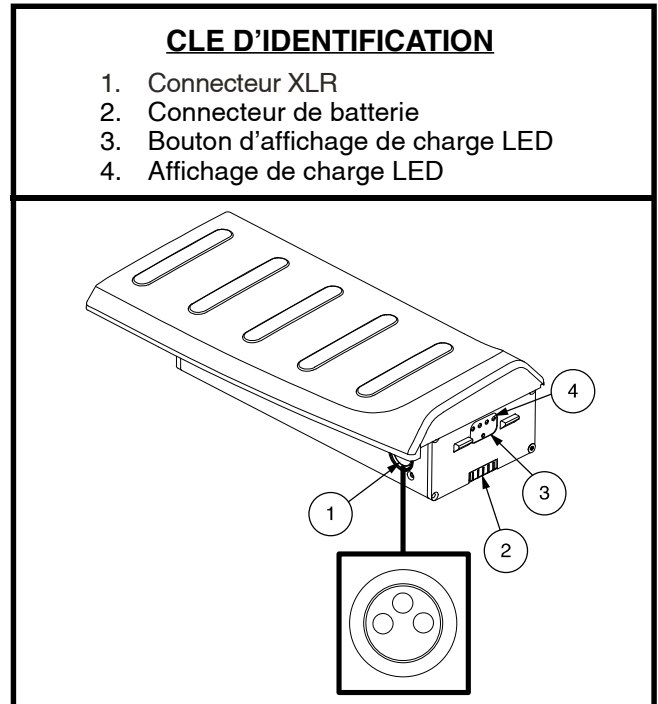


Figure 9. Remplacement de la batterie

Suivez ces étapes pour roder correctement la nouvelle batterie de votre scooter pour une efficacité et une durée de vie maximales:

1. Les batteries au Lithium-Ion fonctionnent mieux avec une charge courte ou à intervalles et des décharges partielles.
2. Faites fonctionner votre nouveau scooter dans des zones familières et sûres. Conduisez lentement au début et ne vous éloignez pas trop de votre domicile ou de votre environnement familier tant que vous ne vous êtes pas habitué aux commandes de votre scooter, puis rechargez complètement la batterie.
3. Après quatre ou cinq cycles de charge, la batterie sont capables de recevoir une charge de 100% du niveau de performance de pointe et peuvent durer pendant une période de temps prolongée.

NOTE: *Les batteries scellées n'ont pas besoin d'ajout de liquide. N'enlevez pas les bouchons.*

Au sujet des transports publics?

Votre batterie au Lithium-Ion i-Go a été testée et est conforme à la norme UN38.3 du Règlement de transport des Nations Unies et à la norme 49 CFR 175.10 (a) (17).

Qu'en est-il des voyages en avion?

Les batteries au Lithium-Ion sont fabriquées dans une variété de tailles et de valeurs nominales pour différentes utilisations. Toutes les batteries au Lithium-Ion ne sont pas conçues pour les voyages en avion. Votre scooter est étiqueté pour indiquer si les batteries sont testées et sont conformes à la norme UN38.3 du règlement des Nations Unies sur les transports. Reportez-vous au boîtier de batterie de votre scooter pour déterminer si la batterie est conçue pour les voyages en avion. Le transport de l'article sur un avion commercial est soumis à la réglementation fédérale et à la politique des compagnies aériennes. Nous vous suggérons de contacter le guichet du transporteur à l'avance pour déterminer les exigences spécifiques du transporteur et pour vous assurer que votre scooter et sa batterie sont autorisés.

III. BATTERIES ET RECHARGE



Indique que la batterie de votre scooter a été testée et est conforme à la norme UN38.3 du Règlement de transport des Nations Unies. Nous vous suggérons de contacter le guichet du transporteur à l'avance pour déterminer les exigences spécifiques du transporteur et pour vous assurer que votre scooter et sa batterie sont autorisés.



Indique que la batterie de votre scooter dépasse l'exigence maximale autorisée en wattheures pour les voyages en avion.

Comment remplacer une batterie dans mon scooter?



OBLIGATOIRE! Toutes les piles i-Go doivent être achetées auprès d'un revendeur agréé. La batterie ne doit pas être ouverte.

MISE EN GARDE! Contactez votre marchand autorisé si vous avez des questions au sujet des batteries de votre scooter.



MISE EN GARDE! Ne pas procéder au remplacement lorsque quelqu'un y prend place.

MISE EN GARDE! Ne tirez pas directement sur les câbles pour les détacher du scooter. Il faut toujours prendre le connecteur pour détacher le câble afin d'éviter les dommages.

Pour changer la batterie, voir la figure 10:

1. Assurez-vous que le levier de roue libre manuelle est en mode entraînement. Voir la figure 5.
2. Assurez-vous que l'interrupteur à clé est éteint. Voir la figure 1.
3. Poussez le disjoncteur vers l'avant du scooter. Voir la figure 3.
4. Tirez sur la sangle de déverrouillage de la batterie et soulevez la batterie et retirez-la du scooter.

NOTE: Assurez-vous que la sangle de la batterie est maintenue à l'extérieur de la batterie compartiment lors de l'installation ou du remplacement de la batterie.

5. Alignez les languettes de la nouvelle batterie avec l'alignement des trous. Voir la figure 10.
6. Appuyez sur la batterie jusqu'à ce que vous entendiez un «clic».
7. Poussez le disjoncteur vers l'arrière du scooter. Voir la figure 3.

NOTE: Ne placez ni ne stockez aucun objet dans la zone de disjoncteur pour éviter tout contact accidentel avec le disjoncteur.

NOTE: Contactez votre agence d'élimination des déchets locale ou votre revendeur agréé pour obtenir des informations sur l'élimination appropriée des batteries.

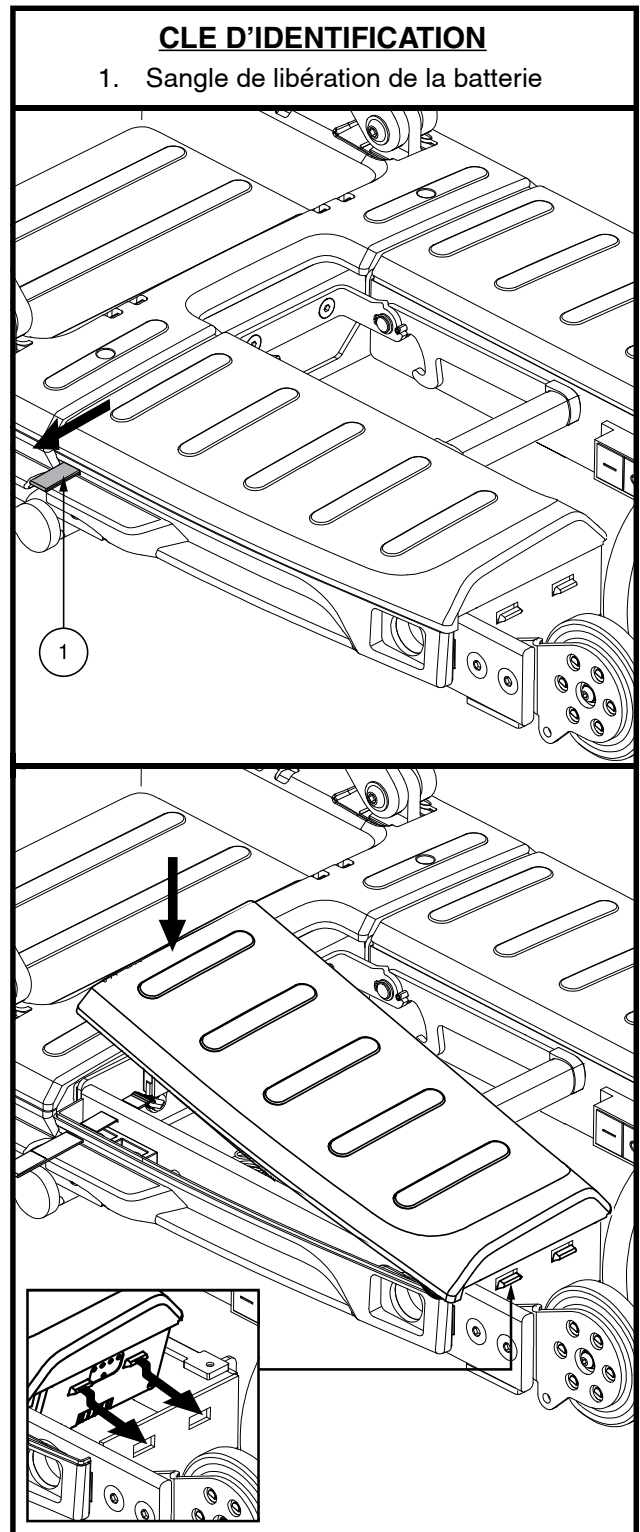


Figure 10. Retrait/installation de la batterie

IV. FONCTIONNEMENT

AVANT DE PRENDRE LA ROUTE

Apprenez à connaître les capacités et limites de votre scooter. Faites les vérifications requises avant chaque sortie pour vous assurer d'un fonctionnement sans problème et sécuritaire.

Inspectez les points suivants avant de prendre la route:

- Vérifiez la pression dans les pneus. Assurez-vous qu'ils ne sont pas endommagés ou excessivement usés.
- Inspectez les connexions électriques. Vérifiez qu'il n'y a pas de rouille et qu'elles soient bien serrées.
- Vérifiez le câble et les fils. Assurez-vous qu'elles soient branchées de façon sécuritaire.
- Vérifiez les freins afin de s'assurer qu'ils fonctionnent correctement.
- Vérifiez le compteur d'état de la batterie pour s'assurer que les batteries sont complètement chargées.

VERIFICATIONS AVANT DEPART

- Le siège est-il bloqué en position?
- Le chemin que vous proposez est-il exempt de personnes, d'animaux domestiques et d'obstacles?
- Avez-vous choisi votre parcours afin d'éviter les pentes et les surfaces difficiles?

NOTE: Soyez prudent lorsque vous utilisez votre scooter sur des surfaces délicates, car des rayures et / ou des marques peuvent apparaître.

CAPTEUR D'ASSISTANCE AU TOURNAGE

Votre scooter est équipé d'un capteur d'assistance au virage qui aide à contrôler la vitesse de votre scooter lors de la négociation se tourne. L'interrupteur du capteur d'assistance au virage est engagé au usine et peut être débrayé à l'aide d'un interrupteur à bascule. Voir figure 11.

NOTE: L'interrupteur à bascule du capteur d'assistance au virage est facilement accessible lorsque le scooter est plié et séparé.

Pour désactiver/réactiver le commutateur du d'assistance au virage:

1. Localisez l'interrupteur à bascule du capteur d'assistance au virage. Voir figure 11.
2. Appuyez sur l'interrupteur à bascule du capteur d'aide au virage vers la plastique sur le scooter pour se désengager.
3. Appuyez sur l'interrupteur à bascule du capteur d'aide au virage vers la socle scooter à réenclencher.

VERIFICATIONS AVANT DEPART

- Avez-vous complètement chargé les piles? Voir III. "Batteries et recharge."
- Assurez-vous que le bouton de verrouillage de la barre est en position verrouillée. Voir V. "Démontage et Montage et Pliage/Depliage."
- Assurez-vous que la température de l'air est comprise entre Assurez-vous que la température de l'air est comprise entre 14°F/-10°C et 122°F/50°C (la plage optimale est de 59 °F / 15 °C à 77 °F / 25 °C).

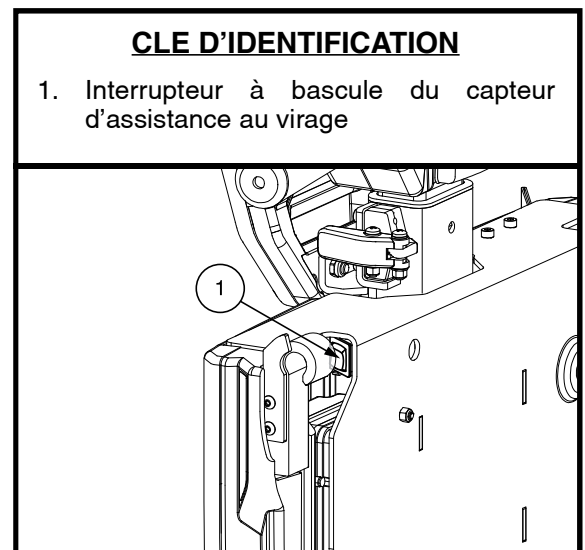


Figure 11. Capteur d'assistance au tournage

IV. FONCTIONNEMENT

S'INSTALLER SUR SON SCOOTER

1. Assurez-vous que la clé n'est pas sur le contact.
2. Tenez-vous debout à côté de votre scooter.



MISE EN GARDE! Ne jamais monter sur votre scooter sans d'abord retirer la clé du contact. Ceci évitera un contact accidentel avec un des leviers d'accélérateur.

3. Assurez-vous que la siége est bien en place.
4. Asseyez-vous confortablement sur le siége.
5. Assurez-vous que vos pieds reposent en toute sécurité sur le plancher.

FONCTIONNEMENT DE VOTRE SCOOTER

MISE EN GARDE! Les situations suivantes peuvent affecter la stabilité et/ou la conduite de votre scooter:



- Tenir ou attacher la laisse de votre animal de compagnie.
- Prendre un passager (humain ou animal).
- Suspendre tout objet au guidon.
- Remorqué ou être poussé par un autre véhicule.

MISE EN GARDE! Gardez les deux mains sur la barre et vos pieds sur les planches de plancher en tout temps lorsque vous utilisez votre scooter. Cette position de conduite vous donne le plus de contrôle sur votre véhicule.

- Appuyez votre pouce contre le côté approprié du levier de commande des gaz.
- Le frein de stationnement à disque électromécanique se désengage automatiquement et le scooter accélère.
- Tirez sur la poignée gauche pour diriger votre scooter vers la gauche.
- Tirez sur la poignée droite pour diriger votre scooter vers la droite.
- Déplacez le timon en position centrale pour conduire tout droit.
- Pour arrêter, relâchez lentement le levier de commande des gaz. Les freins électroniques s'enclenchent automatiquement lorsque votre le scooter s'arrête.

POUR DESCENDRE DE VOTRE SCOOTER

1. Arrêtez votre scooter complètement.
2. Supprimer la clé de l'interrupteur clé.



MISE EN GARDE! Ne jamais monter sur votre scooter sans d'abord retirer la clé du contact. Ceci évitera un contact accidentel avec un des leviers d'accélérateur

3. Descendez prudemment et tenez-vous debout près de votre scooter.

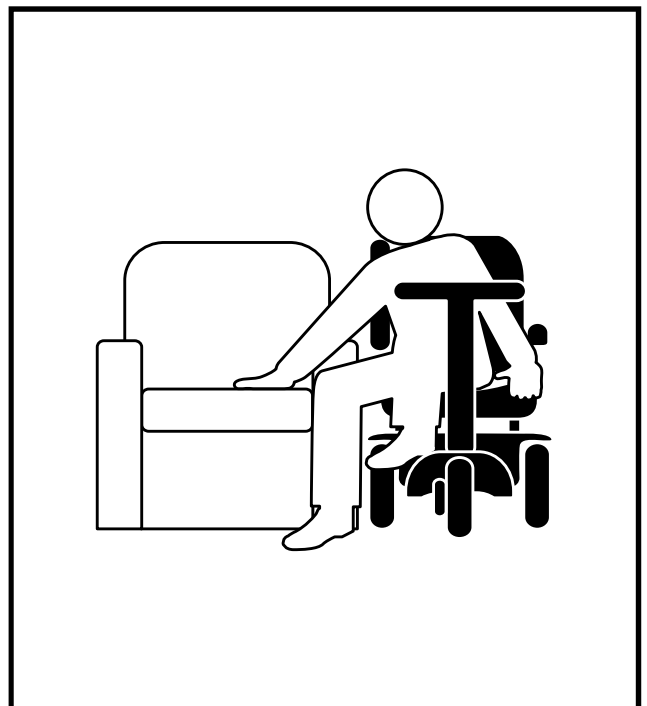


Figure 12. Descendre de votre scooter

V. DEMONTAGE/MONTAGE ET PLIAGE/DEPLIAGE

RÉGLAGE DU TIMON

Le timon peut être relevé et abaissé pour le pliage, le stockage et le transport. **Voir figure 13.**

1. Tirez le levier du timon pour désengager la goupille qui bloque le timon en place.
2. Maintenez le levier de timon tout en ajustant la hauteur de la hauteur pliée à la hauteur de conduite.
3. Relâchez le levier du timon une fois verrouillé à la hauteur de conduite.

Pour votre commodité, l'i-Go peut être démonté pour le stockage et le transport.



MISE EN GARDE! Ne soulevez pas de poids au-delà de vos capacités physiques. Demandez de l'aide en cas de besoin lors du démontage ou du montage de votre scooter.

NOTE: Avant de plier, retirez la clé, poussez le disjoncteur vers l'avant du scooter et vérifiez s'il reste des objets sur l'unité ou dans le bac de rangement.

PLIAGE/DÉPLIAGE

Pour plier votre scooter (voir figure 14):

1. Tirez sur la goupille de verrouillage pour rabattre le siège sur le siège comme indiqué à l'étape 1.
2. Tirez vers le haut sur le siège plié et appuyez sur le déclencheur pour abaisser le siège à l'étape 2.
3. Tout en tenant la poignée pivotante principale, appuyez sur la poignée de déverrouillage du timon et soulevez la poignée pivotante principale tout en guidant le timon et la partie avant du scooter vers la position pliée/verticale illustrée à l'étape 3.
4. Engagez le loquet avant-arrière pour fixer les sections avant et arrière du scooter comme indiqué à l'étape 4.
5. Abaissez le timon en tirant sur le levier de réglage du timon comme indiqué à l'étape 5.

Pour déplier votre scooter (voir figure 14):

1. Soulevez le timon à l'aide du levier de réglage du timon jusqu'à la position de conduite comme indiqué à l'étape 5.
2. Désengagez le loquet avant-arrière pour détacher les sections avant et arrière du scooter comme indiqué à l'étape 4.
3. Tout en tenant la poignée pivotante principale, appuyez sur la poignée de déverrouillage du timon et guidez-la vers l'avant loin de la partie arrière du scooter jusqu'à ce qu'elle soit en position de conduite comme indiqué à l'étape 3.
4. Appuyez sur le déverrouillage du siège, puis soulevez le siège jusqu'à ce qu'il soit complètement relevé et en position de conduite comme indiqué à l'étape 2.
5. Tirez sur la goupille de verrouillage et dépliez le dossier du siège en position verticale comme indiqué à l'étape 1.

Après avoir déplié votre scooter:

1. Assurez-vous que votre scooter est en mode conduite.
2. Installez la batterie si nécessaire. **Voir figure 10.**
3. Poussez le disjoncteur vers l'arrière du scooter.
4. Insérez la clé dans l'interrupteur à clé et tournez dans le sens des aiguilles d'une montre pour démarrer.

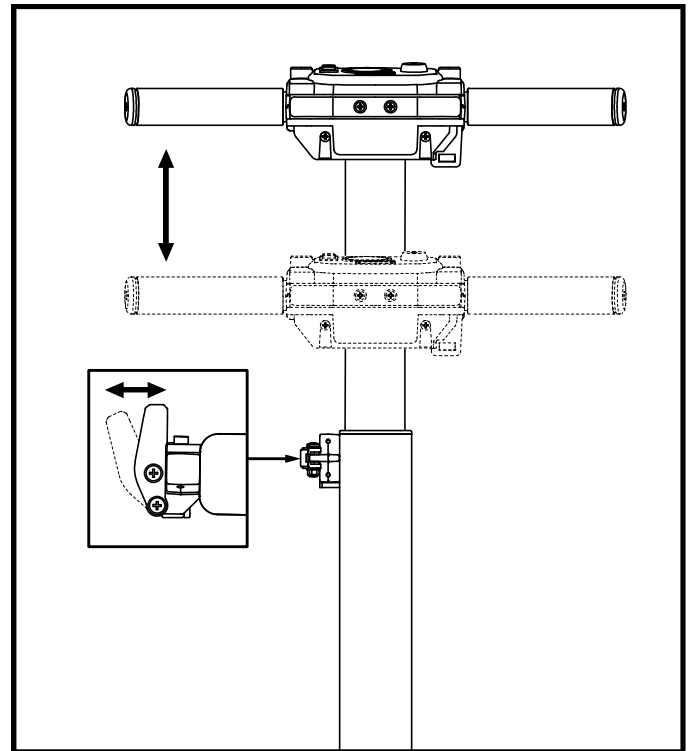


Figure 13. Réglage du timon

V. DEMONTAGE/MONTAGE ET PLIAGE/DEPLIAGE

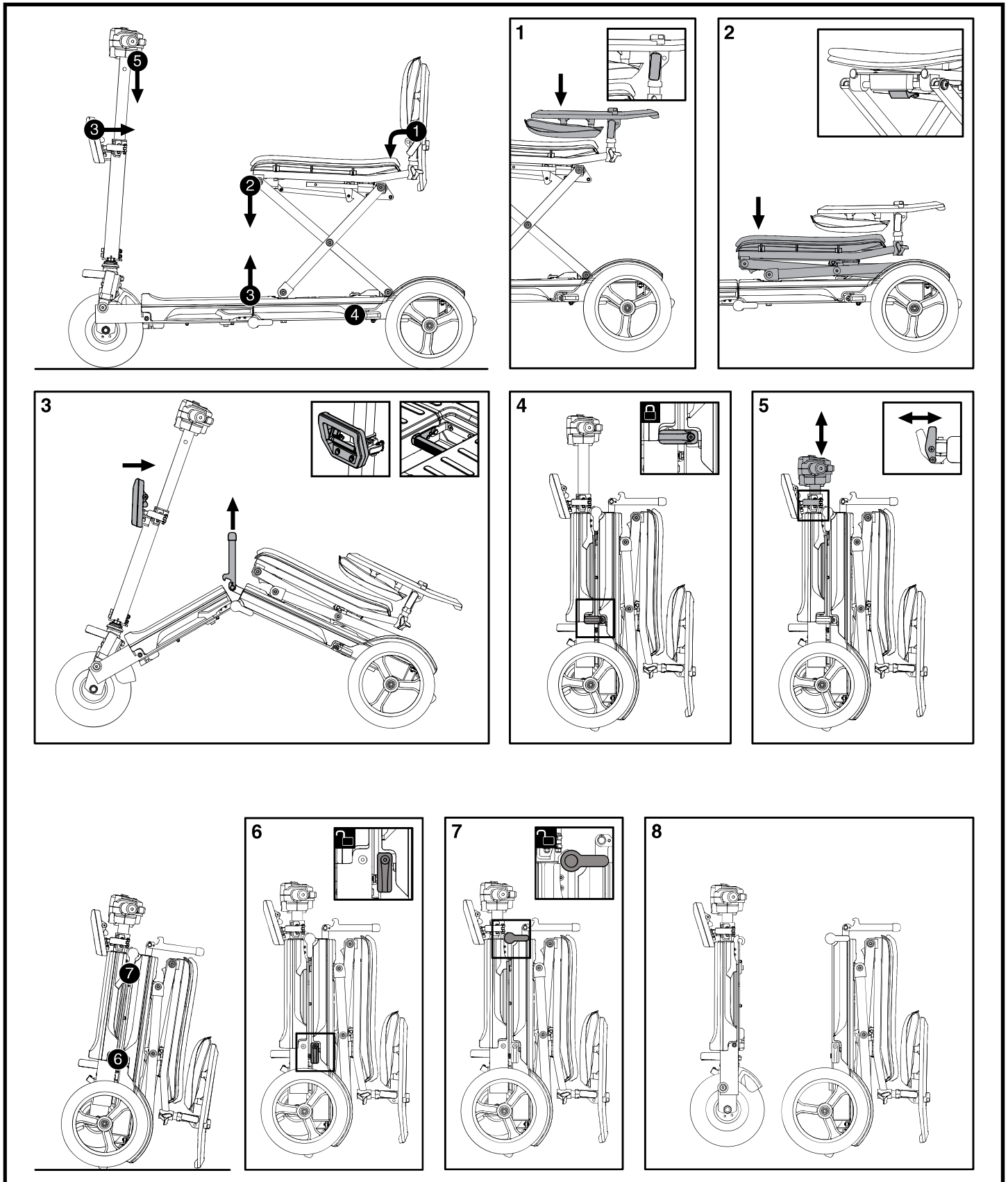


Figure 14. Pliage pour le transport

V. DEMONTAGE/MONTAGE ET PLIAGE/DEPLIAGE

DEMONTAGE

Pour démonter votre scooter (voir figure 15):

1. Pliez votre scooter comme indiqué à l'étape 6 de la **figure 14**. Reportez-vous à V. "Démontage/Montage et Pliage/Dépliage" pour plus d'informations.
2. Désengagez le loquet avant-arrière pour libérer les sections avant et arrière comme indiqué à l'étape 6.
3. Tournez les deux axes de pivot de 90° afin qu'ils soient horizontaux par rapport au sol, comme indiqué à l'étape 7.
4. Soulevez la partie avant du scooter vers le haut et loin de l'arrière comme indiqué à l'étape 8.

Retrait du dossier du siège du scooter démonté (voir figure 16):

1. Desserrez les deux boutons filetés situés sur la soudure du dossier du siège.
2. Retirez le dossier de siège en le soulevant.

ASSEMBLEE

Pour assembler votre scooter:

1. Alignez les indicateurs sur les sections avant et arrière et placez les crochets de la section avant sur les broches de la section arrière comme indiqué à l'étape 8.
2. Tournez les deux axes de pivotement principaux de 90° vers le sol comme indiqué à l'étape 7.
3. Engagez le loquet avant-arrière pour fixer les sections avant et arrière ensemble comme indiqué à l'étape 6.
4. Dépliez votre scooter comme indiqué sur la **figure 14**. Reportez-vous à V. "Démontage/Montage et Pliage/Dépliage" pour plus d'informations.

TRANSPORT

Pour transporter votre scooter plié (voir figure 17):

1. Pliez votre scooter comme indiqué à l'étape 6 de la **figure 14**. Reportez-vous à V. "Démontage/Montage et Pliage/Dépliage" pour plus d'informations.

NOTE: Assurez-vous que le loquet avant-arrière est enclenché, fixant les parties avant et arrière du scooter.

2. Soulevez le timon à l'aide du levier de timon.
3. Tout en tenant le guidon, tirez le timon vers l'avant hors de la béquille et des pare-chocs en caoutchouc.
4. Rouler librement l'unité sur les pneus arrière.

CLE D'IDENTIFICATION

1. Partie avant
2. Partie arrière
3. Batterie

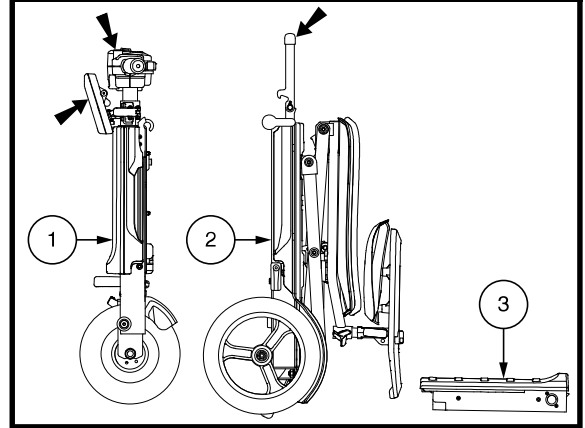


Figure 15. Demontage

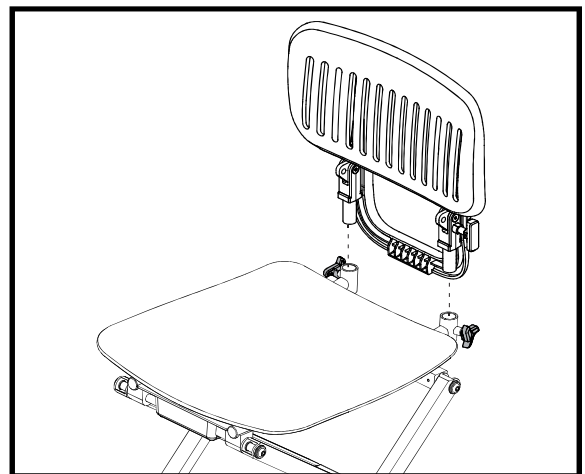


Figure 16. Retrait du dossier du siège

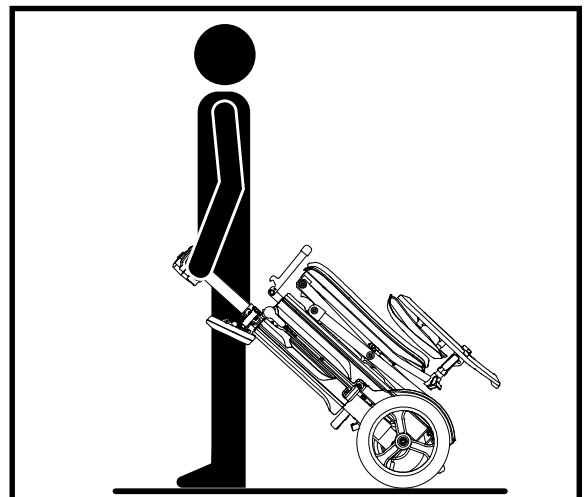


Figure 17. Transport

VI. PROBLEMES ET SOLUTIONS

Que faire si le scooter semble complètement “mort?”

- Assurez-vous que le disjoncteur est sur “ON” (vers l’arrière du scooter).
- Vérifiez que la batterie soient pleinement chargées.
- Assurez-vous que le bloc-batterie est connecté étroitement et correctement.
- Assurez-vous que la batterie est correctement installée.

Que faire si la batterie de mon scooter ne se recharge pas?

- Assurez-vous que les deux extrémités du cordon du chargeur sont bien branchées.

Que faire si le disjoncteur saute à répétition?

- Si le disjoncteur principal saute continuellement, contactez votre marchand autorisé.
- Rechargez la bloc du batterie du scooter plus souvent. Voir III. “Batteries et recharge.”
- Voyez la section III. “Batteries et recharge” ou la section “Specifications de Produit” pour les informations concernant les batteries de votre scooter.

Pour vérifier un fusible :

1. Retirez le porte-fusible en appuyant dessus et en le tournant d’un quart de tour dans le sens inverse des aiguilles d’une montre.
2. Examinez le fusible dans le porte-fusible. **Voir la figure 18.** Si le fusible est grillé, il doit être remplacé.
3. Insérez un nouveau fusible de calibre approprié dans le porte-fusible.
4. Réinstallez le porte-fusible en appuyant dessus et en le tournant d’un quart de tour dans le sens des aiguilles d’une montre.



MISE EN GARDE! Le fusible de remplacement doit correspondre exactement au calibre de l’ancien fusible. La non-utilisation de fusibles correctement calibrés et approuvés peut endommager le système électrique.

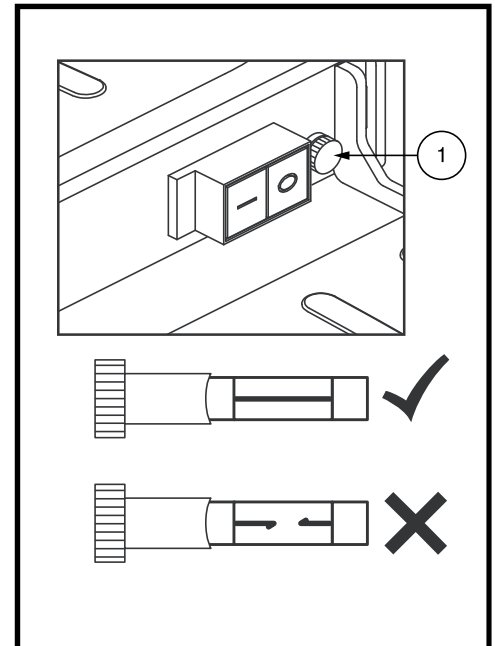


Figure 18. Remplacement de fusible

VII. SOINS ET ENTRETIEN

Votre scooter demande un minimum de soins. Si vous croyez ne pas posséder les connaissances et habiletés pour exécuter les consignes suivantes, vous pouvez les faire exécuter par votre marchand autorisé. Les points suivants demandent un entretien périodique.

PNEUS

Inspectez régulièrement les pneus pour détecter les signes du dommage ou d'usure.

REMPACEMENT D'UNE ROUE

Votre scooter est équipé d'inserts de pneus pleins. Si vous avez un pneu endommagé ou usé, la roue entière doit être remplacée. Contactez votre revendeur agréé pour obtenir des informations concernant les roues de remplacement pour votre scooter.



MISE EN GARDE! Seulement votre marchand autorisé ou un technicien spécialisé doit réparer les roues de votre scooter.

MISE EN GARDE! Assurez-vous que le scooter est «OFF» et le faisceau de batterie est non connecté avant d'effectuer cette procédure.

SURFACES EXTERNES

Les pare-chocs et garnitures peuvent bénéficier d'une couche occasionnelle de protecteur à caoutchouc.



MISE EN GARDE! Ne jamais appliquer de protecteur à caoutchouc sur la bande de roulement des pneus ou sur le siège de vinyle au risque de les rendre très glissants.

NETTOYAGE ET DESINFECTION

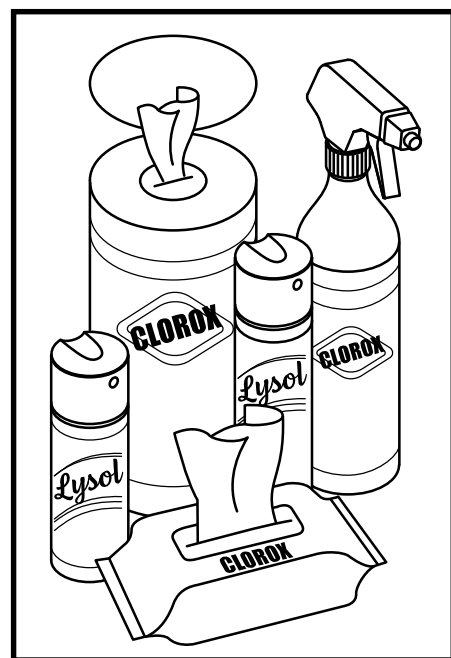
Des précautions doivent être prises lors du nettoyage des équipements/produits pour réduire le risque de propagation de l'infection. Il s'agit de limiter la propagation de la maladie et d'autres matériels potentiellement infectieux (OPIM) (composants sanguins).

- Utilisez un linge humide sans agent abrasif pour nettoyer les surfaces de métal ou de plastique de votre scooter. Évitez les produits abrasifs qui abîmeront les surfaces de votre scooter.
- Au besoin, utiliser un produit désinfectant. Assurez-vous que le produit n'est pas dangereux avant de l'utiliser.

COMMENT NETTOYER/DÉSINFECTER L'ÉQUIPEMENT:

SURFACES DURES/MOLLES (enveloppes en plastique, charpente métallique, tissu de siège, pneus, accoudoirs et repose-pieds, le cas échéant)

- Pour les surfaces dures/molles, éliminez la contamination visible si elle est présente.
 - Pour le plastique et le métal, utilisez le spray/lingettes désinfectantes Lysol®/Clorox® et d'autres produits désinfectants SARS-CoV-2 qualifiés.
 - Pour les autres surfaces en vinyle, nettoyez avec des lingettes désinfectantes sans danger pour le vinyle ou solutions.
 - Désinfectants suggérés
 - Désinfectant Birex® SE, Bleach-Rite® Spray désinfectant, Citrace® Germicide
 - Dispatch® Spray Hospital Cleaner Désinfectant avec Eau de Javel
 - Solution d'eau de Javel diluée (dilution à 10% ou moins); Remarque : un agent de blanchiment avec un facteur de pH compris entre 7 et 9 convient ; un produit avec un pH de 10,5 ou plus peut endommager l'intégrité de la surface du vinyle sur une longue période de temps.



VII. SOINS ET ENTRETIEN

- Lingettes désinfectantes
 - Clorox, Green Works, Lingettes PDI Sani-Cloth HBLysol, Oxivir, Virox et CaviWipes.
- Pour le nettoyage des pneus, nettoyez avec des nettoyeurs pour pneus/roues du commerce

ÉLECTRONIQUE (contrôleur joystick, écrans améliorés, écrans tactiles, télécommandes, claviers, téléphones portables et tablettes, le cas échéant)

- Pour l'électronique, éliminez la contamination visible si elle est présente.
 - Désactivez le périphérique et déconnectez les piles. .
 - Ne vaporisez jamais de liquides directement dans le(s) produit(s).
 - Humidifiez un chiffon en microfibre avec un mélange d'alcool isopropylique à 70 % / solution d'eau à 30 %. Le tissu doit être humide, mais pas dégoulinant ou excessivement mouillé. Séchez soigneusement les surfaces pour éviter les accumulations de liquides et avant la boxeg.

MISE EN GARDE! Suivez toutes les consignes de sécurité pour une utilisation appropriée du désinfectant et/ou de l'agent de nettoyage avant de l'appliquer sur votre produit. Le non-respect de cette consigne peut entraîner une irritation de la peau ou une détérioration prématurée du revêtement et/ou des finitions du scooter.

MISE EN GARDE! N'utilisez jamais d'agent de nettoyage ou de désinfection, de solvant, de lubrifiant ou tout autre produit sur les plaquettes de frein, les disques de frein, la boîte-pont, le moteur/la boîte de vitesses de votre produit de mobilité. Cela pourrait endommager les composants et/ou les empêcher de fonctionner correctement. Des dommages matériels et/ou corporels peuvent en résulter.



MISE EN GARDE! N'arrosez jamais votre scooter au jet d'eau et ne le placez jamais en contact direct avec de l'eau. Votre scooter a un carénage en plastique qui lui permet d'être facilement nettoyé avec un chiffon humide.

MISE EN GARDE! N'utilisez jamais de produits chimiques pour nettoyer un siège en vinyle, car ils pourraient rendre le siège glissant ou se dessécher et se fissurer. Utilisez de l'eau savonneuse et séchez soigneusement le siège.

CONNEXIONS DU PACK BATTERIE

Assurez-vous que les connecteurs des bornes de la batterie sont serrés et non corrodés.

CABLAGES ELECTRIQUES

- Vérifiez régulièrement l'état de la gaine du câble avant/arrière.
- Inspectez régulièrement la gaine protectrice de fils et câbles incluant le cordon du chargeur à batteries.
- Faites réparer tous les câbles ou les fils endommagés par votre marchand autorisé avant d'utiliser votre scooter.



INTERDIT! Même si votre scooter a réussi un test de résistance à l'humidité, éloignez-le des sources d'humidité ou de liquide tel que l'eau de lavage et l'incontinence. Inspectez régulièrement les composants pour détecter la corrosion.



MISE EN GARDE! Ne tirez pas directement sur les câbles pour les détacher du scooter. Il faut toujours prendre le connecteur pour détacher le câble afin d'éviter les dommages.

VII. SOINS ET ENTRETIEN

ENTRETIEN QUOTIDIEN

- Avec l'alimentation coupée, vérifiez la manette des gaz. Assurez-vous qu'il n'est pas plié ou endommagé et qu'il retourne à la position neutre lorsque vous le relâchez. N'essayez pas de le réparer. Consultez votre marchand autorisé en cas de problème.
- Inspectez visuellement tous les câbles de la barre. Assurez-vous qu'aucun n'est effiloché, coupé ou que des fils ne soient exposés. Consultez votre marchand agréé en cas de problème.
- Vérifiez les méplats sur les pneus. Des taches plates pourraient nuire à la stabilité.
- Vérifiez les freins. Cet essai doit être effectué sur une surface plane avec au moins un mètre de dégagement autour de votre scooter.
- Vérifiez quotidiennement tous les câbles, fils, loquets et leviers.
- Vérifiez les poignées de frein et les fils tous les jours. Contactez votre marchand agréé en cas de problème.

Pour vérifier les freins:

1. Tournez la clé dans le sens des aiguilles d'une montre pour allumer (allumer) et poussez le bouton du disjoncteur vers l'arrière du scooter.
2. Assurez-vous que toutes les connexions de la conduite de frein sont sécurisées.
3. Tirez lentement l'accélérateur vers l'avant jusqu'à ce que vous entendiez le déclic des freins électriques. Relâchez immédiatement l'accélérateur. Vous devez pouvoir entendre le frein électrique fonctionner quelques secondes après le mouvement de l'accélérateur. Répétez ce test en tirant la manette des gaz dans la direction opposée.

VERIFICATIONS HEBDOMADAIRES

- Inspectez le affichage de la barre, le bloc-batterie, et le pneu avant pour détecter toute trace de corrosion. Contactez votre marchand agréé si nécessaire.

VERIFICATIONS MENSUELLES

- Vérifiez l'usure des pneus. Consultez votre marchand agréé pour réparation.
- Gardez votre scooter propre et exempt de corps étrangers tels que boue, saleté, cheveux, nourriture, boisson, etc.

VERIFICATIONS ANNUELLES

Apportez votre scooter chez votre marchand autorisé au moins une fois par année pour une inspection, surtout si vous utilisez votre scooter régulièrement. Vous serez ainsi assuré qu'il fonctionne correctement et vous préviendrez des complications futures.

CAPOTS EN PLASTIQUE

Lavez les surfaces en plastique avec un chiffon doux imbibé d'un détergent doux et d'eau tiède. Rincer abondamment et sécher avec un chiffon doux. N'utilisez pas de solvants, de nettoyeurs abrasifs pour la cuisine, de cire, de spray de détail, d'ArmorAll® ou tout autre produit fabriqué pour peinture brillante.

ROULEMENTS A BILLE ET MODULE TRANSMISSION

Ces pièces sont scellées à l'usine et ne requièrent aucune lubrification.

CONSOLE, CHARGEUR ET MODULE DE COMMANDES ELECTRONIQUES

- Protégez-les de l'humidité.
- Si une de ces composantes venaient à être exposée à de l'humidité, laissez sécher votre scooter complètement avant de l'utiliser à nouveau.

VII. SOINS ET ENTRETIEN

REPLACEMENT D'ECROU AUTOFREINE EN NYLON

Tout écrou autofreiné en nylon retiré pendant l'entretien périodique, la réparation, le montage ou démontage du scooter doit être remplacé par un neuf. Les écrous de nylon ne doivent pas être réutilisés car ceux-ci peuvent se desserrer et entraîner un danger. Des écrous de remplacement en nylon sont disponibles dans les quincailleries ou chez votre marchand autorisé.

ENTREPOSAGE DE VOTRE SCOOTER

Si vous pensez ne pas utiliser votre scooter pour une période prolongée:

- Rechargez les batteries complètement avant d'entreposer votre scooter.
- Débranchez les batteries du scooter.
- Entreposez votre scooter dans un endroit sec à l'abri du gel.
- Évitez d'entreposer votre scooter dans un endroit exposé à des températures extrêmes.
- Température de stockage recommandée: 14°F/-10°C à 122°F/50°C (la plage optimale est de 59°F/15°C à 77°F/25°C).

Des batteries qui sont souvent déchargées trop profondément, rechargées de manière infrequente, entreposées sous des températures extrêmes ou insuffisamment chargées peuvent être endommagées de façon permanente. Ces batteries auront de piètres performances et durent moins longtemps. Il recommande de recharger le batterie de votre scooter de façon périodique pendant l'entreposage prolongé afin de protéger leurs performances futures.



MISE EN GARDE! Si le batterie de votre scooter venaient à geler, ne tentez pas de les recharger. Une batterie gelée doit être laissée dans un endroit tempéré plusieurs jours avant d'être rechargée.

Afin de protéger les pneus pendant l'entreposage, placez des cales de bois sous le scooter de manière à ce que les pneus ne soient pas en contact avec le sol. Ceci évitera la déformation de la semelle.

COMMENT DISPOSER DE VOTRE SCOOTER

Vous devez disposer de votre scooter en respectant les règlements en vigueur dans votre localité. Contactez votre centre de recyclage ou votre marchand autorisé pour les informations pour la mise au rebut de l'emballage, des composantes métalliques, plastiques, électroniques, batteries, néoprène, silicone, et les matériaux de polyuréthane.



MISE EN GARDE! Les sacs en plastique présentent un risque de suffocation. Jeter les sacs en plastique correctement et ne pas permettre aux enfants de jouer avec eux.

NOTES



MONTAJE



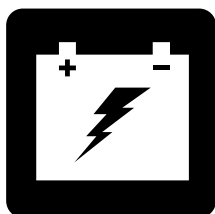
FUNCIONAMIENTO



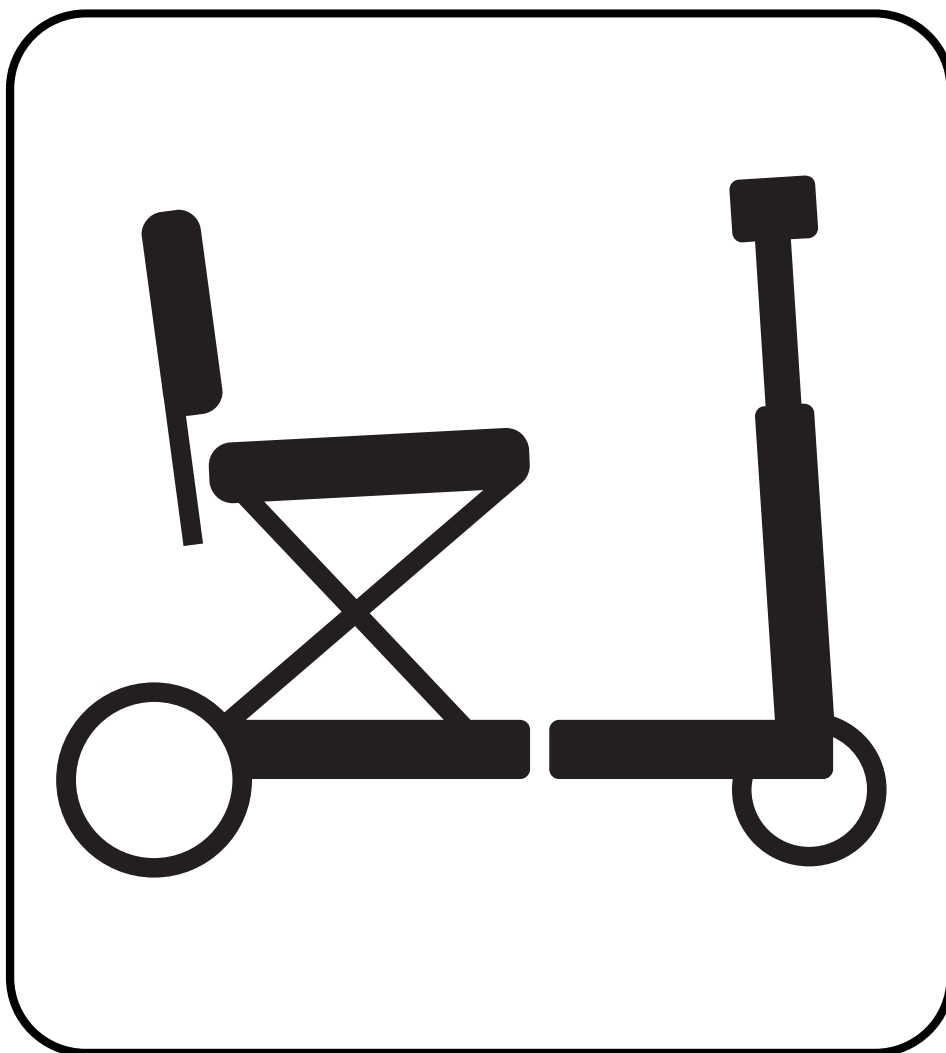
CONFORT



MANTENIMIENTO



BATERÍAS Y SU CARGA



i-GO™ (S20)

NO MÉDICO

MANUAL DE USUARIO

CONSIGNAS DE SEGURIDAD

USO INDICADO

El uso previsto de este scooter Pride Mobility Products es proporcionar asistencia de movilidad a personas que tienen la capacidad de operar un producto de movilidad motorizado para uso recreativo.

NOTA: El presente manual de instrucciones recoge las últimas especificaciones e informaciones disponibles en el momento de su publicación. Nos reservamos el derecho a aportar modificaciones en caso necesario. Cualquier modificación en nuestros productos puede provocar ligeras variaciones entre las ilustraciones y explicaciones de esta guía y el producto que ha comprado. En nuestro sitio web encontrará la versión última/actual de este manual.

NOTA: Este producto cumple las directivas y normativas WEEE, RoHS y REACH.

NOTA: Este producto cumple con la clasificación IPX4 (IEC 60529).

NOTA: Ni scooter ni sus componentes están fabricados con látex de goma natural. Consulte al fabricante con respecto a cualquier accesorio o pieza de repuesto.

NOTA: Este producto no es un producto médico y no está destinado a ayudar, tratar, diagnosticar o aliviar ninguna condición médica o discapacidad.

ÍNDICE

CONSIGNAS DE SEGURIDAD	55
INTRODUCCIÓN	56
I. SEGURIDAD	57
II. SU SCOOTER	59
III. BATERÍAS Y SU CARGA	62
IV. FUNCIONAMIENTO	68
V. DESMONTAJE/MONTAJE Y PLEGABLE/DESPLEGABLE	70
VI. RESOLUCIÓN DE PROBLEMAS	73
VII. CUIDADO Y MANTENIMIENTO	74

CONSIGNAS DE SEGURIDAD



ADVERTENCIA! Un comerciante autorizado o un técnico cualificado deberá realizar la configuración inicial del scooter, así como cualquier otro procedimiento de este manual.

Los símbolos que se muestran a continuación son utilizados en este manual y en el scooter para identificar advertencias y avisos importantes. Asegúrese de que los ha leído y comprendido perfectamente.



¡ADVERTENCIA! Indica una situación o circunstancia potencialmente peligrosa. De no seguir los procedimientos indicados, podría provocar en usted o en terceros lesiones físicas, y daños o averías en el material. En el producto, este icono tiene forma de símbolo negro en un triángulo amarillo con borde negro.



¡OBLIGATORIO! Pasos que deben realizarse tal y como se indica. De no realizar las acciones obligatorias, podría sufrir lesiones y/o daños en el material. En el producto, este icono tiene forma de símbolo blanco sobre un círculo azul con borde blanco.



¡PROHIBIDO! Estas acciones están prohibidas, cualquiera que sea el tiempo o las circunstancias. La realización de acciones prohibidas puede provocar lesiones personales y/o daños en el material. En el producto, este icono tiene forma de símbolo negro con un círculo y raya rojos.



¡ADVERTENCIA DE LA PROPOSICIÓN 65 DE CALIFORNIA! Este producto puede contener sustancias que, según el estado de California, causan cáncer, defectos de nacimiento u otros daños reproductivos. Para obtener más información, vaya a www.P65Warnings.ca.gov.

INTRODUCCIÓN

SEGURIDAD

La scooter que acaba de adquirir combina los componentes más vanguardistas con lo último en **seguridad**, confort y estilo. Estamos seguros de que las características de su diseño le proporcionarán toda la utilidad que usted exige en sus tareas cotidianas. Aprenda a manejar y cuidar **correctamente** su scooter y podrá disfrutar de ella durante años.

Antes de utilizar su scooter por primera vez, **lea detenidamente** todas las instrucciones, advertencias y notas de este manual. Además, deberá leer todas las instrucciones, advertencias y notas de cualquier folleto de instrucciones adicional suministrado con su scooter. Su **seguridad** depende de que use su buen juicio.

Si hay algo que no entiende o si necesita ayuda adicional para la configuración o el funcionamiento, consulte con su comerciante autorizado. **El incumplimiento de las instrucciones de este manual y aquellas situadas en su scooter podría provocarle lesiones corporales o problemas técnicos en su scooter, además de invalidar la garantía del producto.**

ACUERDO DEL COMPRADOR

Al aceptar la entrega de este producto, el comprador asegura que no cambiará, alterará o modificará el mismo, ni quitará o inutilizará o volverá inseguros los productos de protección y seguridad del producto. Asimismo, se compromete a instalar los kits de actualización que regularmente proporcione con objeto de mejorar o preservar la utilización correcta de este producto.

ENVÍO Y ENTREGA

Antes de utilizar su scooter, compruebe que no le falte ningún componente (algunos pueden venir empaquetados individualmente). Si le faltara alguna pieza de la scooter, póngase en contacto de forma inmediata con su comerciante autorizado. Asimismo, si observa algún daño ocasionado durante el transporte, ya sea en el embalaje o el contenido, póngase en contacto con el transportista.

NOTA: Si perdiera o extraviara este manual, póngase en contacto con nosotros y le enviaremos inmediatamente uno nuevo.

I. SEGURIDAD

SÍMBOLOS DE SEGURIDAD

Estos símbolos aparecen en su scooter y sirven para identificar advertencias, acciones obligatorias o prohibidas. Asegúrese de que los ha leído y comprendido perfectamente.

NOTA: En la *Guía de Seguridad del Usuario* suministrada con su scooter encontrará la explicación de otras advertencias de uso. Familiarícese con todas las advertencias de uso y otra información de seguridad indicadas en la *Guía de Seguridad del Usuario* y remítase regularmente a esta fuente.



Lea con atención la información del manual de usuario.



Etiqueta de información del scooter



Cargue completamente las baterías antes de operar.

Retire la llave de un scooter desatendido.



No cumple la normativa ISO 7176-19 sobre vehículos de transporte ocupados dentro de un vehículo a motor. No permanezca sentado en su scooter mientras viaja en un vehículo a motor.



Fabricado en

I. SEGURIDAD

GENERAL



¡OBLIGATORIO! Antes de utilizar su scooter por primera vez, lea y siga todas las instrucciones de este manual.

Su scooter es un producto de última generación para mejorar la calidad de vida, que está diseñado para aumentar su movilidad. Ofrecemos una amplia variedad de productos para adaptarnos mejor a las necesidades específicas de cada usuario su scooter. Por favor, tenga en cuenta que la decisión final sobre la selección y compra del tipo su scooter a utilizar es responsabilidad del usuario de la misma, quien es capaz de tomar dicha decisión.

¡ADVERTENCIA! El i-Go no está diseñado para ser utilizado por personas que no puede mantenerse en una posición vertical.



¡ADVERTENCIA! Antes de operar su scooter, familiarícese con la ubicación y el uso de los controles, incluido el timón para la dirección y el palanca aceleradora para acelerar. Durante la operación, mantenga ambas manos en el timón en todo momento para garantizar un funcionamiento seguro del scooter. Si no se suelta el palanca aceleradora al detener el scooter, se pueden colisionar con personas u objetos que pueden provocar daños a la propiedad, lesiones personales o la muerte.

A continuación encontrará precauciones, consejos y otras consideraciones de seguridad, cuyo objetivo es ayudarle a que se acostumbre a operar su scooter con seguridad. Si bien reconocemos que los usuarios de las su scooter frecuentemente desarrollarán habilidades para realizar sus actividades cotidianas que pueden diferir de las que se ilustran en esta guía, es fundamental que se respeten todas las pautas de seguridad de este manual para garantizar la seguridad de los usuarios. Si no sigue los avisos de seguridad en éste y otros manuales provistos por el fabricante y aquellos que acompañan a su scooter, podría sufrir lesiones y/o provocar daños a la su scooter, y esto podría anular la garantía del producto.

INSPECCIÓN DE SEGURIDAD PREVIA

Familiarícese con su scooter y sus funciones. Recomendamos que realice una inspección previa de seguridad para confirmar que su scooter funciona de manera correcta y segura.

Antes de utilizar el scooter, inspeccione lo siguiente:

- Verifique el estado de las ruedas. Asegúrese de que estén correctamente inflados y no dañadas ni demasiado gastadas.
- Compruebe todas las conexiones eléctricas. Asegúrese de que estén tensas y sin corrosión.
- Compruebe todas las conexiones del regulador al panel eléctrico. Asegúrese de que estén bien tensadas.
- Compruebe los frenos y asegúrese de que funcionen correctamente.
- Compruebe el indicador de nivel de batería para asegurarse de que las baterías estén totalmente cargadas.
- Compruebe que la palanca manual está en el modo conducción antes de sentarse en el scooter.



¡ADVERTENCIA! Asegúrese de que el asiento esté completamente levantado y asegurado en la posición de conducción antes de sentarse en su scooter. El no hacerlo puede resultar en daños a la propiedad y/o lesiones personales.

Si encuentra algún problema, póngase en contacto con su comerciante autorizado. Consulte la hoja de información de contacto suministrada con el producto.

Información sobre el sistema de frenos

Los scooters están equipados con dos potentes sistemas de frenado regenerativo y el freno de mano a disco. El frenado regenerativo utiliza la electricidad para ralentizar rápidamente el scooter a un estado neutral. El freno de mano a disco se activa mecánicamente una vez que el frenado regenerativo disminuye la velocidad del vehículo casi hasta detenerse, o cuando se elimina la alimentación del sistema por cualquier razón.

A menos que esté equipada con un producto especial, la velocidad de su scooter es controlada por una palanca de mando. Cuando la palanca de mando es movida desde la posición central (neutra), se envía una señal electrónica al sistema de frenos. La señal hace que los frenos electromagnéticos se liberen, lo que permite que el vehículo se mueva. Cuanto mayor sea la presión que se aplique contra la palanca de mando, más rápido se moverá el vehículo hasta una velocidad máxima predeterminada. Cuando la palanca de mando vuelve a ser colocada en la posición central (neutra), la señal electrónica se invierte y los frenos electromagnéticos se conectan, lo que permite que la scooter se desacelere hasta detenerse completamente.

II. SU SCOOTER

CONSOLA DEL MANILLAR

La consola del timón contiene todos los controles necesarios para conducir su scooter, incluido el indicador del nivel de batería y el acelerador giratorio (fig. 1).



¡PROHIBIDO! No deje que la consola se humedezca. Si la consola estuviera humedecida, espere hasta que se seque completamente antes de manejar el scooter.

CLAVES DE IDENTIFICACIÓN

- | | |
|--------------------------------------|-------------------------|
| 1. Retrovisor y tapón del retrovisor | 5. Interruptor de llave |
| 2. Interruptor máx-mín | 6. Acelerador |
| 3. Indicador de batería | 7. Cargador USB |
| 4. Claxon | 8. Interruptor de luz |

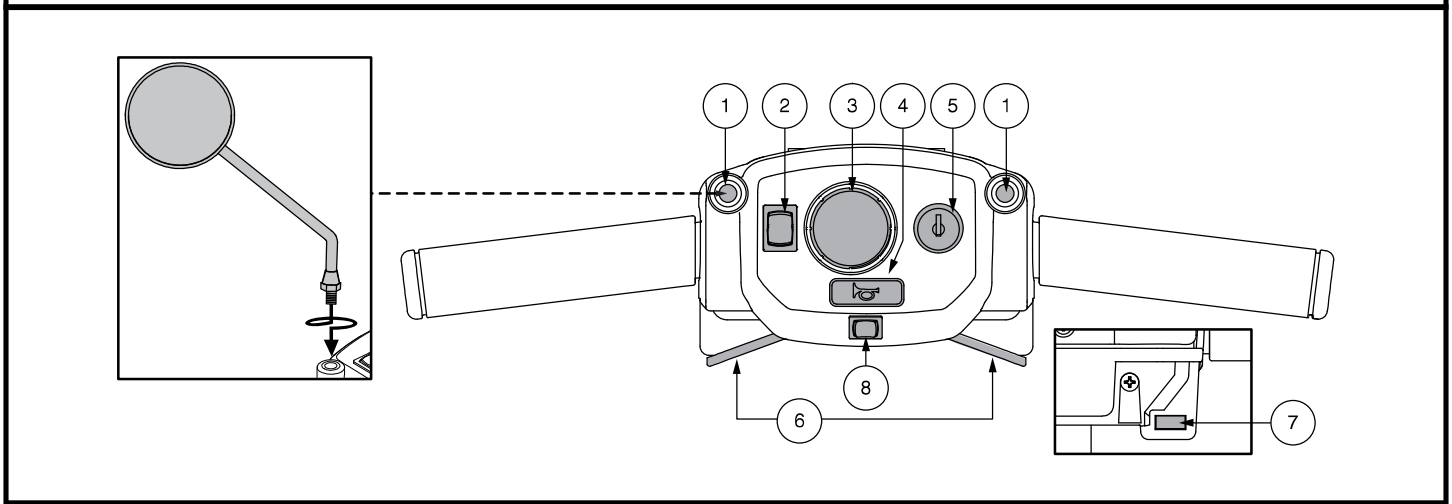


Figura 1. Consola del manillar

NOTA: Antes del uso inicial, la batería debe estar activada. Para obtener instrucciones de activación, consulte III “Baterías y carga” / IV “Operación”.

Cerradura de Contacto

- Inserte la llave en el interruptor de llave y gírela en el sentido de las agujas del reloj para encender (encender) su scooter.
- Gire la llave en sentido antihorario para apagar (apagar) su scooter.

Palanca Aceleradora

Esta palanca le permite controlar la velocidad de avance y la velocidad de retroceso de su scooter.

Para usar la palanca de control del acelerador:

- Para moverse hacia **adelante**, use su pulgar derecho para empujar el lado derecho de la palanca de control del acelerador.
- Para moverse hacia **atrás**, use su pulgar izquierdo para empujar el lado izquierdo de la palanca de control del acelerador.

Interruptor de luz

Este interruptor controla el sistema de luces del scooter.

- Deslice el interruptor hacia delante para encender las luces.
- Deslice el interruptor hacia atrás para apagar las luces.

II. SU SCOOTER

Interruptor máx-mín

Sirve para ajustar la velocidad máxima (HI) y mínima (LOW) del scooter. Mueva el interruptor hacia adelante (Alta) para lograr la máxima velocidad preprogramada para el scooter. Mueva el interruptor hacia atrás (Baja) para alcanzar la mitad de la velocidad máxima preprogramada del scooter.

Indicador del Nivel de Batería

Cuando se presiona el botón de encendido para encender su scooter, este indicador muestra el nivel aproximado de la batería. Para obtener más información sobre el indicador de batería, consulte III, “Baterías y su carga”.

Conjunto de tren motriz

El conjunto de transmisión es una unidad electromecánica que convierte la energía eléctrica de las baterías de su scooter en energía mecánica controlada que impulsa las ruedas del scooter.

Paquete de batería

Su scooter está equipado con un innovador fácil de quitar paquete de baterías de Lithium-Ion. Consulte III. “Baterías y carga ”para obtener instrucciones de reemplazo de la batería (fig. 2 y 3).

Botón Disyuntor (Reinicio)

Para evitar daños en el motor y el sistema electrónico, el disyuntor principal puede saltar cuando el voltaje de las baterías del scooter se vuelve insuficiente o el scooter está demasiado forzado debido a cargas o pendientes excesivas. Así, al activarse el disyuntor, todo el sistema eléctrico del scooter se apaga (fig. 3).

- El botón de reinicio salta cuando el disyuntor se activa.
- Así, al activarse el disyuntor, todo el sistema eléctrico del scooter se apaga.
- Apague el interruptor de llave
- Deje “descansar” los componentes electrónicos de su scooter durante un minuto o dos.
- Presione el botón de reinicio hacia la parte trasera del scooter para restablezca el disyuntor principal.
- Si el disyuntor principal se activa con frecuencia, puede que tenga que cargar la batería más a menudo.
- Si el disyuntor principal interrumpe la corriente regularmente, consulte a su comerciante autorizado.

CLAVES DE IDENTIFICACIÓN

1. Conector XLR
2. Conector de batería
3. Botón de pantalla de carga LED
4. Pantalla de carga LED

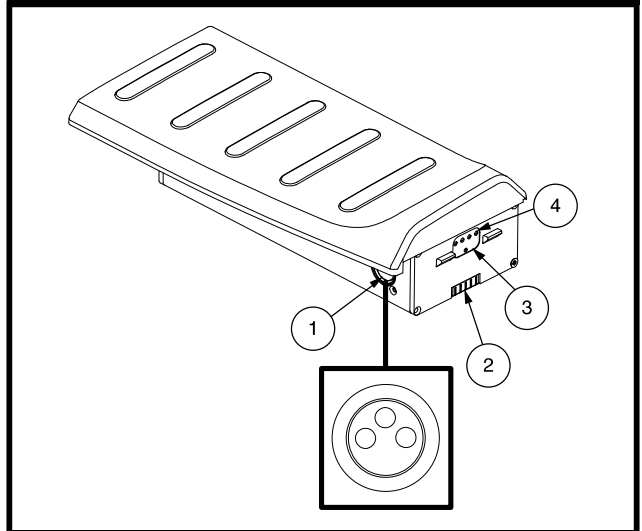


Figura 2. Paquete de baterías

CLAVES DE IDENTIFICACIÓN

1. Botón de encendido
2. Paquete de baterías
3. Puerto XLR

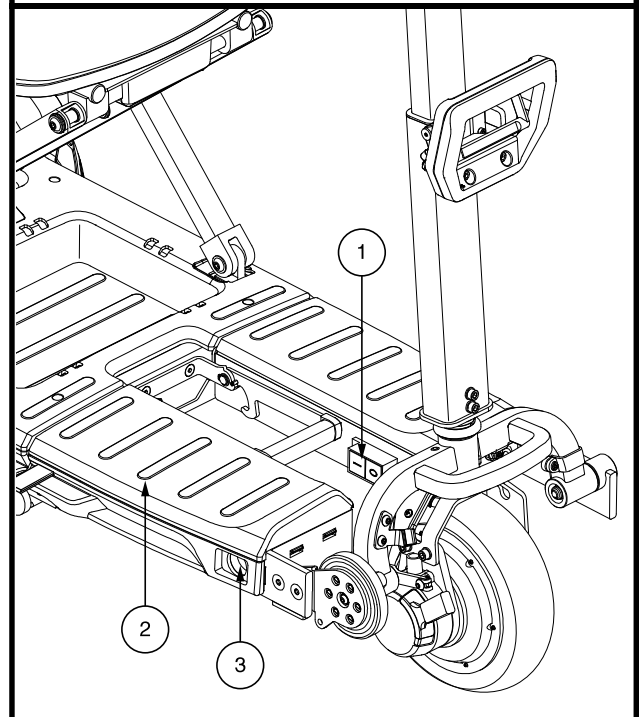


Figura 3. Botón Disyuntor

II. SU SCOOTER

Tomo de Alimentación del Cargador

El extremo de 3 contactos del cable del cargador se enchufa en esta toma (fig. 4).

Cargador de Batería Externo

Para cargar la batería del scooter, conecte el cargador de batería externo a la toma del cable del cargador y a una toma de corriente estándar (fig. 4).

Palanca del Modo Manua

Utilice el modo manual cuando necesite o quiera empujar su scooter a lo largo de distancias cortas.

1. Retire la llave del interruptor.
2. Presione el botón del disyuntor hacia la parte delante del scooter.
3. Ubique la palanca de rueda libre manual cerca de la rueda delantera (fig. 5).
4. Empuje hacia abajo la palanca de rueda libre manual para desactivar el sistema de transmisión y el sistema de frenos. Ahora puedes empuja tu scooter.
5. Jalar la palanca de rueda libre manual hacia arriba para volver a enganchar el accionamiento y los sistemas de freno; esto se lleva tu scooter fuera del modo de rueda libre.

¡ADVERTENCIA! Cuando el scooter está en modo manual, el sistema de frenado permanece inactivo.

- Desactive los motores sólo en superficies llanas.
- Asegúrese de sacar la llave de la cerradura de contacto.
- Sitúese detrás o a un lado del scooter para activar y desactivar el modo manual. Nunca lo haga sentado en el scooter.
- Cuando haya terminado de empujar el scooter, vuelva siempre al modo conducción para bloquear los frenos.

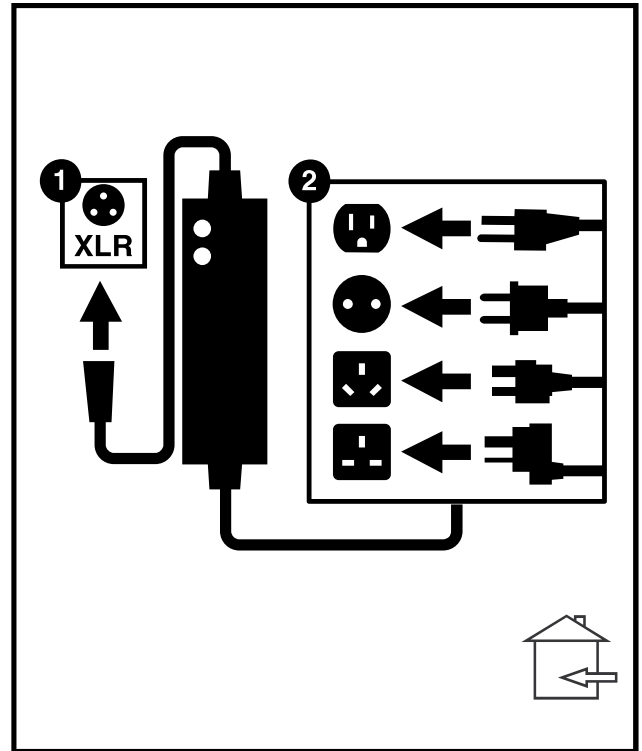


Figura 4. Cargador de Batería Externo

CLAVES DE IDENTIFICACIÓN

1. Palanca del Modo Manua

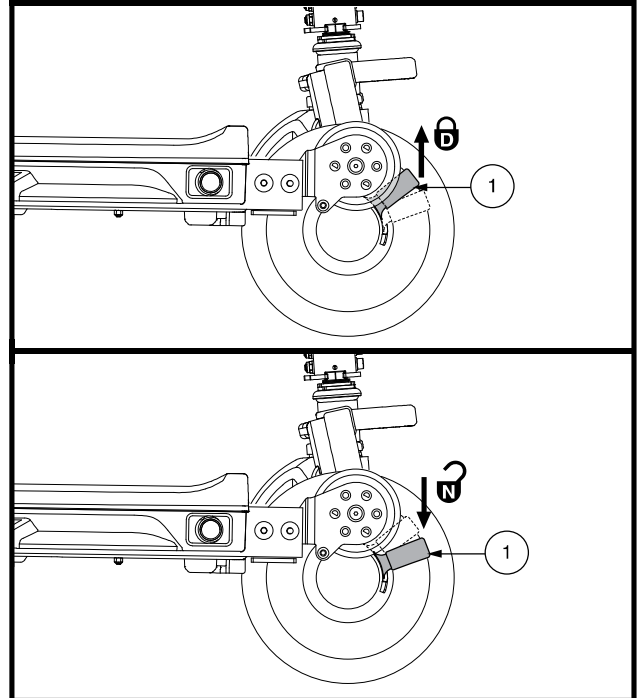


Figura 5. Palanca del Modo Manua

III. BATERÍAS Y SU CARGA

BATERÍAS Y SU CARGA

Su scooter requiere una caja de batería de iones de litio que esté sellada y no requiera mantenimiento. Se recargan mediante el cargador externo suministrado.

- Cargue la batería de su scooter antes de usarlas por primera vez. Cargue completamente la batería de su scooter utilizando el cargador suministrado con el scooter. Primero conecte el cargador a su scooter y luego conecte el cargador a la toma de corriente.
- Para que el scooter funcione perfectamente, mantenga la batería totalmente cargadas.

LECTURA DEL VOLTAJE DE LA BATERÍA

VOLTÍMETRO DE MATRIZ DE PUNTOS

La pantalla LED que forma parte del medidor de estado de la batería en la consola del timón indica el porcentaje restante aproximado de carga de la batería. Con carga completa, el ícono mostrará FL, lo que indica una batería completamente cargada. Con el uso continuado, la pantalla LED mostrará números decrecientes a medida que se agote la carga. Una vez que la pantalla LED alcance el 10 % de duración de la batería, mostrará LO y será necesaria una recarga inmediata. (fig. 6 1a). Para garantizar la máxima precisión, el medidor de estado de la batería debe comprobarse mientras conduce su scooter a toda velocidad sobre una superficie seca y nivelada.

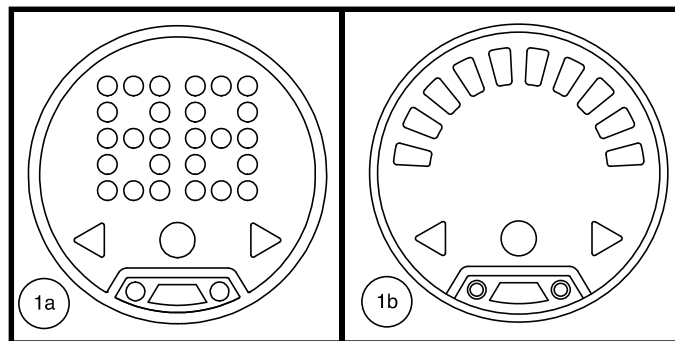


Figura 6. Medidor de estado de la batería

VOLTÍMETRO AMBIENTAL

El indicador de batería de la consola muestra la potencia aproximada de las baterías mediante un código de color. De derecha a izquierda, el verde indica que las baterías están completamente cargadas, el amarillo un vaciado parcial y el rojo advierte sobre la necesidad de recargarlas (fig. 6 1b). Para obtener la mayor precisión, compruebe el indicador de baterías conduciendo el scooter a velocidad máxima, sobre una superficie plana y seca.

NOTA: Los scooters están equipados con un medidor del estado de la batería que detecta la luz ambiental y ajusta automáticamente el brillo en función de la iluminación ambiental.

CARGADO DE BATERÍA



¡PROHIBIDO! No quite el contacto de tierra del enchufe para evitar cualquier riesgo eléctrico. Si su toma de corriente tiene únicamente 2 orificios, instale un adaptador de 3 contactos adecuado.



¡PROHIBIDO! No conecte cables de prolongación al cable del cargador de batería, ya que podría provocar un riesgo eléctrico.



¡PROHIBIDO! Mientras la batería se cargan, no deje que los niños jueguen cerca del scooter sin supervisión. Le recomendamos no cargar la batería mientras la scooter esté ocupada.



¡OBLIGATORIO! Antes de cargar la batería, lea las instrucciones de carga en este manual y en el manual suministrado con el cargador de batería.



¡ADVERTENCIA! Durante el cargado la batería se pueden generar gases explosivos. Mantenga su scooter y el cargador alejados de fuentes ignífugas como llamas o chispas, y proporcione una ventilación adecuada durante el cargado la batería.



¡ADVERTENCIA! Utilice el cargador externo suministrado para recargar la batería de su scooter. No utilice otro cargador de batería.



¡ADVERTENCIA! Antes de cada uso, compruebe el estado de cargador, cables y conectores. Comuníquese con su Distribuidor autorizado si encuentra o sospecha que está dañado.

III. BATERÍAS Y SU CARGA

¡ADVERTENCIA! No intente abrir la carcasa del cargador de batería. Si el cargador no funcionara correctamente, contacte con su Distribuidor autorizado.



¡ADVERTENCIA! Tenga en cuenta que la carcasa del cargador puede acabar recalentándose durante el cargado. Evite todo contacto con la piel y no deje el cargador sobre superficies a las que pueda afectar el calor.

¡ADVERTENCIA! No intente operar su scooter con la batería agotadas, ya que podría quedarse varado.



¡ADVERTENCIA! Los cargadores de batería no son adecuados para que los utilicen niños.



¡ADVERTENCIA! Salvo que su cargador haya sido probado y aprobado para exteriores, no lo exponga a condiciones ambientales extremas o adversas. Si hubiera sido expuesto a condiciones ambientales extremas o adversas, deberá dejarlo adaptarse a las nuevas condiciones en interiores antes de volver a utilizarlo. Para más información, consulte el manual suministrado con su cargador de batería.

Para cargar la batería de forma segura con el cargador externo:

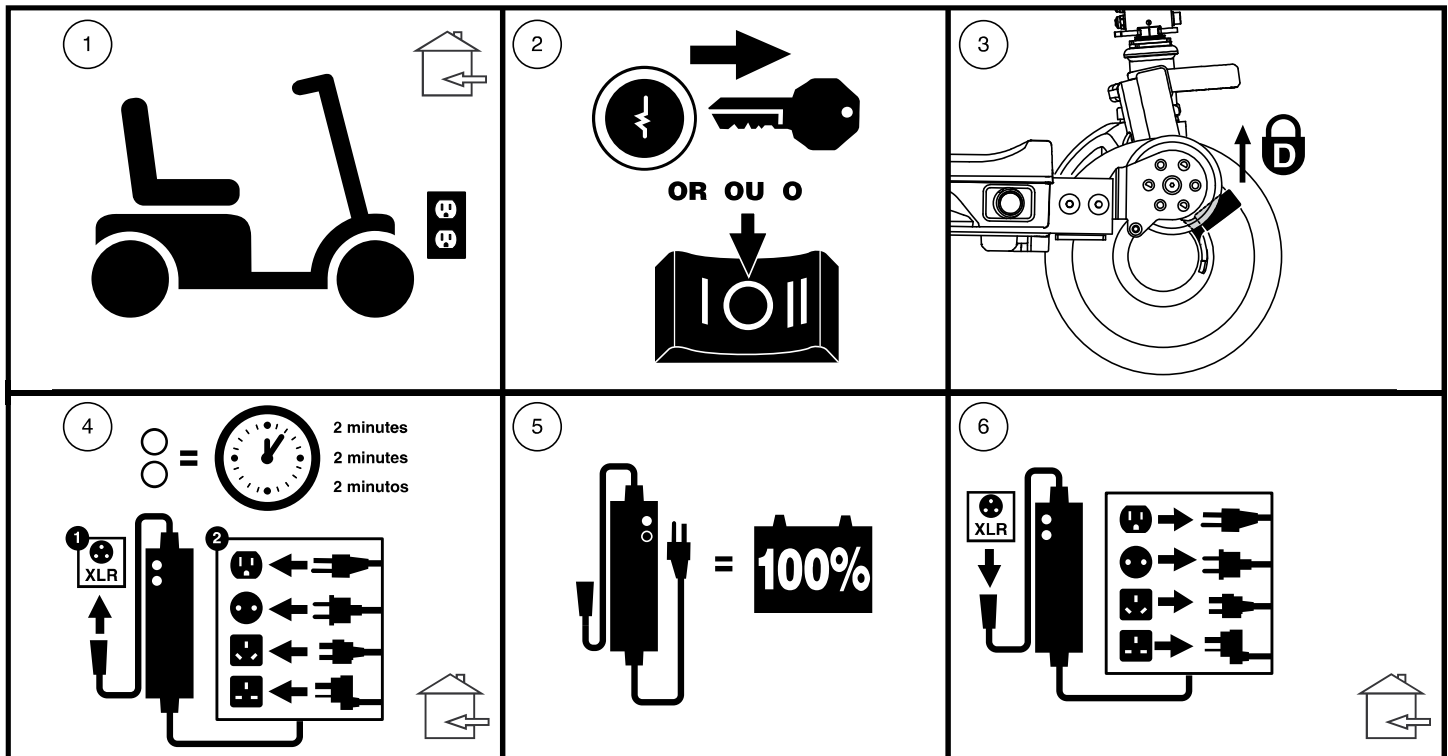


Figura 7. Diagrama del procedimiento de carga de la batería

Para cargar de forma segura su batería de iones de litio:

1. Coloque su scooter junto a una toma de corriente (fig. 8).
2. Retire la llave.
3. Asegúrese de que el scooter esté en modo de conducción (fig. 5).
4. Conecte el cargador de iones de litio XLR de 3 pines suministrado en el puerto de carga de 3 pines del scooter.
5. Enchufe el cable de alimentación del cargador en la toma de corriente de la pared (fig. 8).
6. Espere dos (2) minutos. Dos (2) luces LED rojas en el cargador significan que la carga ha comenzado.
7. Las baterías están completamente cargadas cuando el LED del cargador de baterías está en verde.

NOTA: Si los pasos anteriores no se realizaron en el orden correcto, desenchufe el cable del cargador tanto del tomacorriente de pared como del scooter, espere un (1) minuto y luego repita los pasos anteriores en el orden que se muestra.

8. Desenchufe el cargador de batería del vehículo eléctrico y del tomacorriente.

III. BATERÍAS Y SU CARGA



¡ADVERTENCIA! No toque la superficie caliente. Las personas que tienen problemas de sensibilidad deben tomar precauciones adicionales para evitar tocar las superficies calientes del cargador.



¡ADVERTENCIA! El cargador de batería puede tener luces indicadoras que se iluminan bajo ciertas condiciones. Para saber más sobre estos indicadores, consulte la etiqueta del cargador.

NOTA: El scooter dispone de un bloqueador del cargador. Ni el scooter ni el indicador de batería funcionarán mientras se estén cargando la batería.

PREGUNTAS MÁS FRECUENTES (P+F)

¿Cómo funciona el cargador?

Para las instrucciones sobre el cargado de batería, consulte el manual suministrado con el cargador.

¿Puedo utilizar otro tipo de cargador?

No. Está especialmente prohibido cualquier método de carga que utilice cualquier otro cargador que no sea el suministrado con su scooter.

¿Por qué no puedo cargar la batería de mi scooter?

- Primero asegúrese de que el cargador XLR de 3 pines esté enchufado en el puerto de carga de 3 pines del scooter o scooter. Luego, enchufe el cable de alimentación en la toma de corriente de la pared.
- Si está equipado, asegúrese de que el fusible de la batería esté en condiciones de funcionamiento.
- Compruebe que ambos extremos del cable de alimentación del cargador estén bien conectados.
- Asegúrese de que el LED de carga, ubicado en el cargador, esté funcionando como se indica en el manual del cargador.

¿Con qué frecuencia debo recargar la batería?

Para determinar con qué frecuencia debe cargar la batería, tenga en cuenta estos dos factores principales:

- Utilización intensiva a diario.
- Uso infrecuente o esporádico.

Teniendo en cuenta esto, podrá determinar con qué frecuencia y durante cuánto tiempo debe cargar la batería de su scooter. El cargador de batería está pensado para no sobrecargar la batería del scooter. No obstante, puede tener problemas si no recarga la batería con la frecuencia requerida o regularmente. Para obtener un cargado y un funcionamiento seguros y fiables, observe las siguientes consignas.

- Si utiliza el scooter a diario, recargue la batería al finalizar el día.
- Si lo utiliza una vez a la semana o menos, cárguelas al menos una vez a la semana.
- Nunca guarde su scooter con una batería completamente descargadas.

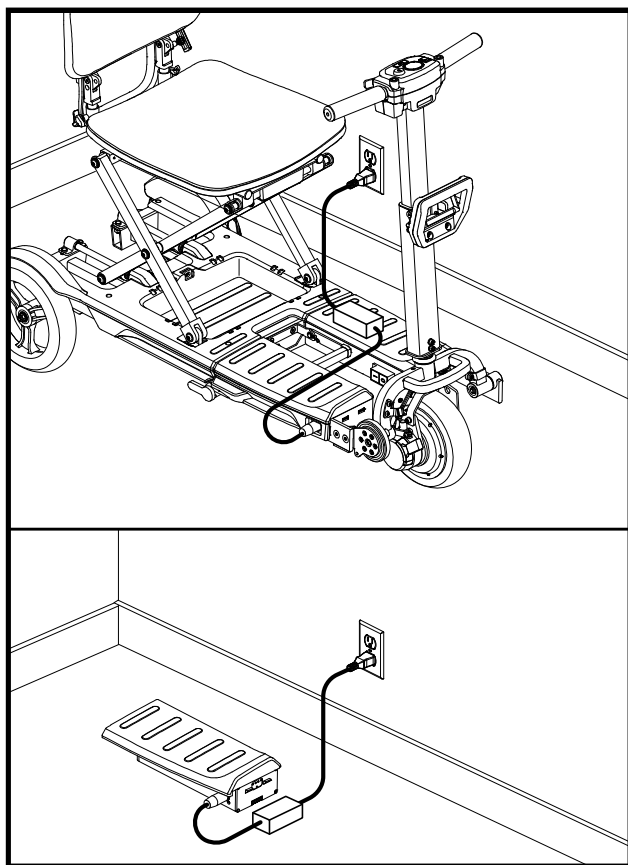


Figura 8. Batería cargando

III. BATERÍAS Y SU CARGA

NOTA: Mantenga siempre la batería cargada y no deje que se descarguen completamente. Para las instrucciones sobre el cargado de baterías, consulte el manual suministrado con el cargador.

NOTA: La batería de su scooter solo deben cargarse a temperatura. Evite cargar la batería en entornos de temperaturas extremas como automóviles calientes, alféizares de ventanas, garajes fríos o calientes. Evite los entornos que generan calor. Consulte el manual suministrado con el cargador de batería para conocer las instrucciones de carga.

¿Cómo puedo lograr la máxima vida para mis batería?

La batería de iones de litio funcionan mejor con cargas cortas o por intervalos y descargas parciales. Proteja su scooter y la batería del calor o frío extremos. La batería que se descargan de manera regular y profunda, se cargan con poca frecuencia, se almacenan en temperaturas extremas o se almacenan sin una carga completa pueden dañarse permanentemente, provocando un rendimiento poco confiable y una vida útil limitada. Las siguientes son sugerencias de temperatura para el funcionamiento, almacenamiento y carga de su batería de iones de litio.

NOTA: La vida útil de una batería suele estar relacionada con los cuidados de mantenimiento.

Rango de temperatura operativa recomendado:

- 14°F/-10°C a 122°F/50°C (el rango óptimo es 59°F/15°C a 77°F/25°C)

Rango de temperatura de almacenamiento recomendado:

- 14°F/-10°C a 122°F/50°C (el rango óptimo es 59°F/15°C a 77°F/25°C)

Rango de temperatura de carga recomendado:

- 32°F/0°C a 104°F/40°C (la temperatura óptima es 68°F/20°C)

NOTA: Para extender la vida de la batería, apague siempre el scooter y extraiga la llave de contacto siempre que no lo esté utilizando.

¿Cómo puedo obtener el máximo rendimiento por carga?

En general, las situaciones ideales de conducción (terreno liso, plano y firme, sin viento, ni curvas o pendiente) son infrecuentes. En la mayoría de los casos, encontrará pendientes, ranuras en aceras, superficies mal pavimentadas y curvas. Estos factores afectan a la distancia que puede recorrer (la duración de la batería):

- La batería de iones de litio funcionan mejor con cargas cortas o por intervalos y descargas parciales.
- Planee su trayecto para evitar en lo posible pendientes y superficies blandas o irregulares.
- Limite el equipaje a los artículos imprescindibles.
- Intente mantener una velocidad constante cuando el scooter esté en movimiento.
- Evite avanzar a trompicones.
- Si almacena su batería durante más de treinta (30) días, recomendamos cargar su batería una vez al mes para mejorar el rendimiento y la vida útil de la batería. Siga las instrucciones de carga recomendadas en el manual suministrado con el cargador de batería.
- Compruebe que todos los cables estén conectados correctamente.
- Utilizar su scooter a una velocidad reducida mejorará el alcance.

¿Qué tipo de batería debo utilizar?

Su scooter requiere una caja de batería de iones de litio. Consulte el prospecto de especificaciones del producto suministrado con el manual del propietario en el paquete del propietario.



¡ADVERTENCIA! La batería están fabricadas con materiales químicos corrosivos. Reemplace una caja de batería de iones de litio original con una caja de batería de iones de litio de reemplazo aprobada para reducir el riesgo de fugas o condiciones explosivas.

NOTA: Cajas de batería selladas no requieren mantenimiento.

III. BATERÍAS Y SU CARGA

¿Por qué mis batería nuevas no rinden al máximo?

La batería de iones de litio utilizan una tecnología química distinta de la batería para coches, las de níquel-cadmio u otros tipos de baterías. La batería de iones de litio están especialmente diseñadas para proporcionar energía, ir agotando su carga y luego permitir una recarga relativamente rápida.

Nos trabajamos en estrecha colaboración con el fabricante de nuestras baterías para ofrecerle la batería que mejor se adapta a su scooter. Nuevas baterías llegan continuamente y son reexpedidas una vez que han sido cargadas. Durante el transporte, la batería son expuestas a temperaturas extremas que pueden influir en su rendimiento inicial. El calor puede disminuir su carga, y el frío ralentizar la energía disponible y alargar el tiempo necesario para volver a cargar la batería.

Serán necesarios unos cuantos días para que la temperatura de la batería del scooter se estabilice y adapte a la nueva temperatura ambiente. Por otra parte, deberán pasar varios ciclos de carga (vaciado parcial seguido de recarga completa) antes de lograr el equilibrio químico esencial para obtener el máximo rendimiento y duración de una batería de ciclo profundo.

Siga estos pasos para “rodar” correctamente las nuevas batería de su scooter y obtener así la máxima eficacia y duración:

1. La batería de iones de litio funcionan mejor con una carga corta o en intervalos y descargas parciales.
2. Opere su nuevo scooter en áreas familiares y seguras. Conduzca despacio al principio y no se aleje demasiado de su casa o de un entorno familiar hasta que se haya acostumbrado a los controles de su scooter, luego recargue completamente la batería.
3. Después de cuatro o cinco ciclos de carga, la batería pueden recibir una cara del 100% del nivel de rendimiento máximo y pueden durar un período de tiempo prolongado.

NOTA: La batería selladas no requieren mantenimiento. No levante las tapas.

Utilización del transporte público?

Su batería de Lithium-Ion i-Go ha sido probada, cumple con la norma UN38.3 del Reglamento de Transporte de las Naciones Unidas y cumple con 49 CFR 175.10 (a) (17).

¿Qué pasa con los viajes aéreos?

Las baterías de iones de litio se fabrican en una variedad de tamaños y clasificaciones para diferentes usos. No todas las baterías de iones de litio están clasificadas para viajes en avión. Su scooter está etiquetado para indicar si las baterías han sido probadas y cumplen con el estándar UN38.3 del Reglamento de Transporte de las Naciones Unidas. Consulte la caja de la batería de su scooter para determinar si la batería está clasificada para viajes en avión. Si va a utilizar el transporte público, por favor póngase en contacto previamente con la compañía para cumplir con sus requisitos específicos.

CLAVES DE IDENTIFICACIÓN

1. Conector XLR
2. Conector de batería
3. Botón de pantalla de carga LED
4. Pantalla de carga LED

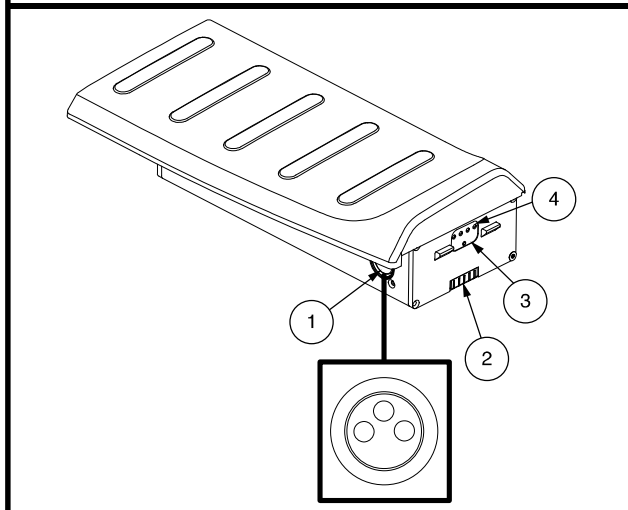


Figura 9. Reemplazo del paquete de baterías

III. BATERÍAS Y SU CARGA



Indica que la batería de su scooter ha sido probada y cumple con el estándar UN38.3 del Reglamento de Transporte de las Naciones Unidas. Le sugerimos que se comunique con el mostrador de boletos del transportista con anticipación para determinar los requisitos específicos de ese transportista y para asegurarse de que su scooter y su batería estén permitidos.



Indica que la batería de su scooter excede el requisito máximo permitido de vatios-hora para viajes en avión.

¿Cómo se cambian la batería de mi scooter?



¡OBLIGATORIO! Todas las baterías i-Go deben estar comprada a un comerciante autorizado. Los la batería no debe abrirse.

¡ADVERTENCIA! Si tiene alguna duda acerca de la batería de su scooter, no dude en contactar con su comerciante autorizado.

¡ADVERTENCIA! No manipule la batería con el asiento ocupado.



¡ADVERTENCIA! No tire de los cables del arnés eléctrico directamente para separarlos del scooter. Sujete siempre el conector al desconectar el arnés para evitar daños en el cable.

Para quitar/instalar el paquete de baterías, vea la figura 10:

1. Asegúrese de que la palanca de rueda libre manual esté en modo de conducción (fig. 5).
2. Asegúrese de que el interruptor de llave esté apagado (fig. 1).
3. Empuje el disyuntor hacia la parte delantera del scooter (fig. 3).
4. Tire de la correa de liberación de la batería y levante la batería para sacarla del scooter.

NOTA: Asegúrese de que la correa de la batería se mantenga fuera de la batería compartimiento al instalar o reemplazar la batería.

5. Alinee las pestañas de la batería nueva con la alineación agujeros (fig. 10).
6. Presione el paquete de baterías hacia abajo hasta que escuche un “clic”.
7. Empuje el disyuntor hacia la parte trasera del scooter (fig. 3).

NOTA: No coloque ni guarde ningún artículo en el área de la interruptor para evitar el contacto accidental con el interruptor.

NOTA: Póngase en contacto con su agencia local de eliminación de residuos o con un comerciante autorizado para obtener información sobre la eliminación adecuada de la batería.

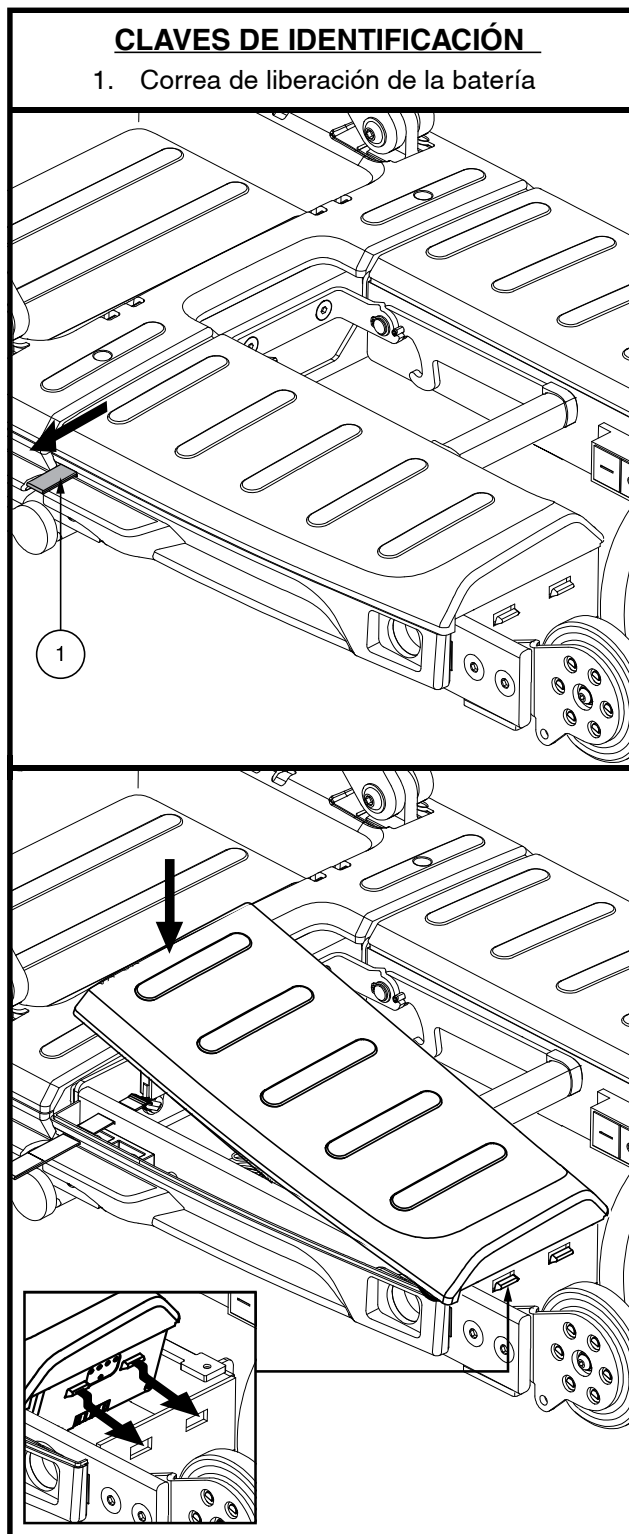


Figure 10. Extracción / instalación de la batería

IV. FUNCIONAMIENTO

INSPECCIÓN DE SEGURIDAD PREVIA

Familiarícese con su scooter y sus funciones. Recomendamos que realice una inspección previa de seguridad para confirmar que su scooter funciona de manera correcta y segura.

Antes de utilizar el scooter, inspeccione lo siguiente:

- Verifique el estado de las ruedas. Asegúrese de que no estén dañadas ni demasiado gastadas.
- Compruebe todas las conexiones eléctricas. Asegúrese de que estén tensas y sin corrosión.
- Compruebe todas las conexiones del regulador al panel eléctrico. Asegúrese de que estén bien tensadas.
- Compruebe los frenos y asegúrese de que funcionen correctamente.
- Compruebe el indicador de nivel de batería para asegurarse de que la batería estén totalmente cargadas.

AJUSTES Y CONTROLES PREVIOS

- ¿Está el asiento bien sujeto en su sitio?
- ¿El camino por el que va a circular está libre de gente, animales y obstáculos?
- ¿Ha planeado su itinerario para evitar superficies irregulares y todas las pendientes que pueda?

NOTA: *Tenga cuidado al operar su scooter en superficies delicadas ya que pueden producirse rasguños y/o marcas.*

SENSOR DE ASISTENCIA DE GIRO

Su scooter está equipado con un sensor de asistencia de giro que ayuda a controlar la velocidad de su scooter al negociar giros. El interruptor del sensor de asistencia de giro viene activado de fábrica y puede desactivarse mediante un interruptor de palanca. Ver figura 11.

NOTA: *El interruptor de palanca del sensor de asistencia de giro es fácilmente accesible cuando el scooter está plegado y separado.*

Para desactivar / volver a activar el del sensor de asistencia de giro:

1. Localice el interruptor de palanca del sensor de asistencia de giro. Ver figura 11.
2. Presione el interruptor de palanca del sensor de asistencia de giro hacia la plástico en el scooter para desengancharlo.
3. Presione el interruptor de palanca del sensor de asistencia de giro hacia la base scooter para volver a activar.

ANTES DE MONTAR EN EL SCOOTER

- Ha cargado la batería completamente? Capítulo III, “Baterías y su carga”.
- Compruebe que el perilla de liberación del timón esté bloqueado. Consulte el capítulo V, “Desmontaje / montaje y Plegable / Desplegable”.
- Asegúrese de que el freno de estacionamiento esté activado.
- Asegúrese de que la temperatura del aire esté entre. Asegúrese de que la temperatura del aire esté entre 14°F/-10°C a 122°F /50°C (el rango óptimo es de 59°F/15°C a 77°F/25°C).

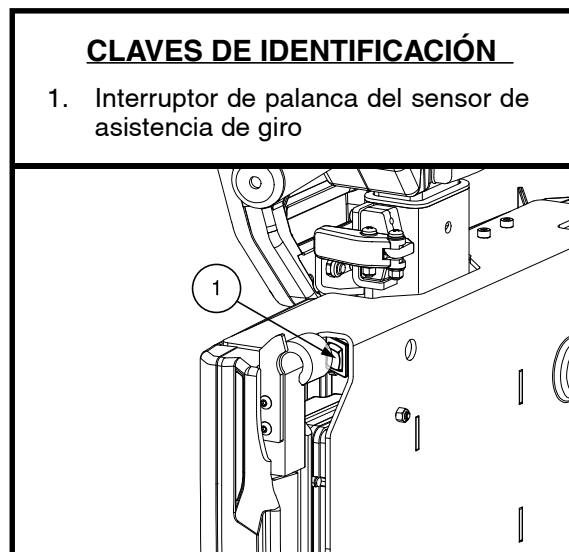


Figura 11. Sensor de asistencia de giro

IV. FUNCIONAMIENTO

AL MONTAR EN EL SCOOTER

1. Asegúrese de sacar la llave de la cerradura de contacto.
2. Colóquese a un lado del scooter.



¡ADVERTENCIA! Nunca intente subir o bajar de su scooter sin antes quitar la llave de la cerradura de contacto. Así, evitará que el scooter se mueva si accidentalmente acciona la palanca aceleradora.

3. Compruebe que el asiento esté firme y no se mueva.
4. Siéntese con cuidado y póngase cómodo en el asiento.
5. Asegúrese de que sus pies estén seguros en el piso del scooter.

MANEJO DEL SCOOTER

¡ADVERTENCIA! Lo siguiente podría afectar negativamente a la dirección y estabilidad mientras conduce su scooter:



- Sujetar o llevar atada una correa para pasear a su mascota.
- Llevar pasajeros (incluidas mascotas).
- Colgar cualquier artículo del manillar.
- Remolcar o ser remolcado por otro vehículo motorizado.

¡ADVERTENCIA! Mantenga siempre ambas manos en el manillar y sus pies en el piso del vehículo mientras maneje el scooter. Esta posición de conducción le garantiza el mayor control sobre su vehículo

- Presione su pulgar contra el lado apropiado de la palanca de control del acelerador.
- El freno de estacionamiento de disco electromecánico se desconecta automáticamente y el scooter acelera.
- Tire de la empuñadura izquierda para dirigir su scooter hacia la izquierda.
- Tire de la empuñadura derecha para dirigir su scooter hacia la derecha.
- Mueva el timón a la posición central para conducir en línea recta.
- Para detenerse, suelte lentamente la palanca de control del acelerador. Los frenos electrónicos se activarán automáticamente cuando su scooter se detiene.

PARA BAJAR DEL SCOOTER

1. Detenga completamente el scooter.
2. Retire la tecla del interruptor de llave.



¡ADVERTENCIA! Nunca intente subir o bajar de su scooter sin antes quitar la llave de la cerradura de contacto. Así, evitará que el scooter se mueva si accidentalmente acciona la palanca aceleradora.

3. Con cuidado, bájese del asiento y colóquese a un lado del scooter.



Figura 12. Bajarse de su scooter

V. DESMONTAJE/MONTAJE Y PLEGABLE/DESPLEGABLE

AJUSTE DEL TIMÓN

El timón se puede subir y bajar para plegar, almacenar y transportar (fig. 13).

1. Tire de la palanca del timón para desenganchar el pasador que bloquea el timón en su lugar
2. Sostenga la palanca del timón mientras ajusta la altura desde la altura plegada hasta la altura de conducción.
3. Suelte la palanca del timón una vez bloqueada en la altura de conducción.

Para su comodidad, el i-Go se puede desmontar para su almacenamiento y transporte.



¡ADVERTENCIA! No levante pesos encima de sus capacidades físicas. En caso necesario, pida ayuda para montar o desmontar su scooter.

NOTA: Antes de doblar, retire la llave, empuje el disyuntor hacia la parte delantera del scooter y verifique que no haya ningún artículo en la unidad o en el depósito de almacenamiento.

PLEGABLE/DESPLEGAR

Para plegar su scooter (fig. 14):

1. Tire del pasador de bloqueo para plegar el asiento hacia abajo sobre el asiento como se muestra en el paso 1.
2. Tire hacia arriba del asiento plegado y apriete el mecanismo de liberación del asiento para bajar el asiento al paso 2.
3. Mientras sostiene la manija del pivote principal, apriete la manija de liberación del timón y levante la manija del pivote principal mientras guía la manija del timón y la sección delantera del scooter hacia la posición plegada/vertical que se muestra en el paso 3.
4. Enganche el pestillo de adelante hacia atrás para asegurar las secciones delantera y trasera del scooter como se muestra en el paso 4.
5. Baje el timón tirando de la palanca de ajuste del timón como se muestra en el paso 5.

Para desplegar su scooter (fig. 14):

1. Levante el timón usando la palanca de ajuste del timón hasta la posición de conducción como se muestra en el paso 5.
2. Desenganche el pestillo de adelante hacia atrás para desproteger las secciones delantera y trasera del scooter como se muestra en el paso 4.
3. Mientras sostiene la manija de pivote principal, apriete la manija de liberación del timón y guíela hacia adelante alejándola de la sección trasera del scooter hasta que esté en la posición de conducción como se muestra en el paso 3.
4. Apriete el mecanismo de liberación del asiento y luego levántelo hasta que esté completamente levantado y en la posición de conducción como se muestra en el paso 2.
5. Tire del pasador de bloqueo y despliegue el respaldo del asiento a una posición vertical como se muestra en el paso 1.

Después de desplegar su scooter:

1. Asegúrese de que su scooter esté en modo de conducción.
2. Instale la batería si es necesario. **Ver figura 10.**
3. Empuje el disyuntor hacia la parte trasera del scooter.
4. Inserte la llave en el interruptor de llave y gírela en el sentido de las agujas del reloj para comenzar.

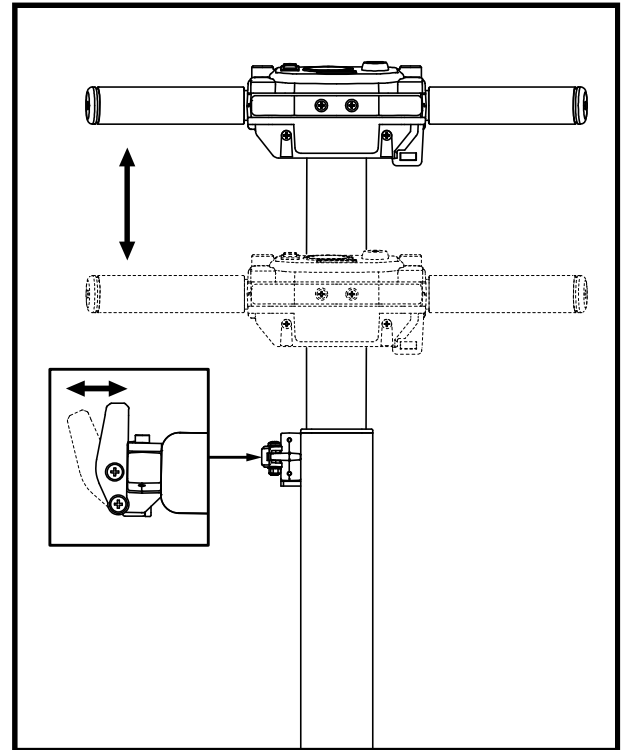


Figura 13. Ajuste del timón

V. DESMONTAJE/MONTAJE Y PLEGABLE/DESPLGABLE

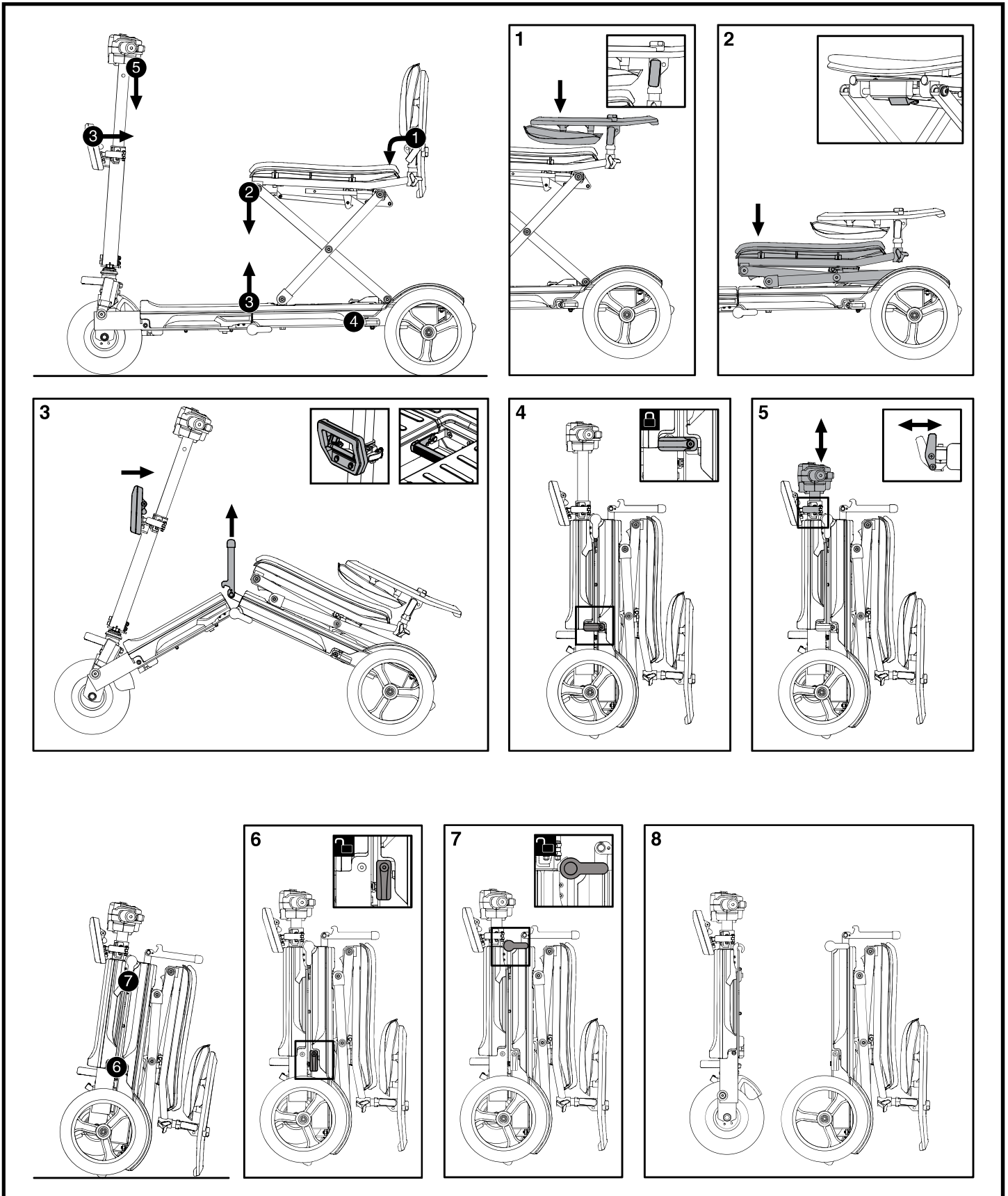


Figura 14. Plegable para tránsito

V. DESMONTAJE/MONTAJE Y PLEGABLE/DESPLIEGABLE

DESMONTAJE

Para desmontar su scooter (fig. 15):

1. Pliegue su scooter como se muestra en el paso 6 en la **figura 14**. Consulte V. “Desmontaje/Montaje y Plegable/Desplegable” para obtener más información.
2. Desenganche el pestillo de adelante hacia atrás para liberar las secciones delantera y trasera como se muestra en el paso 6.
3. Gire ambos pasadores de pivote 90 ° para que queden horizontales al suelo, como se muestra en el paso 7.
4. Levante la sección delantera del scooter y retírela de la parte trasera como se muestra en el paso 8.

Retirar el respaldo del asiento del scooter desmontado (fig. 16):

1. Afloje ambas perillas roscadas ubicadas en la soldadura del respaldot.
2. Retire el respaldo levantándolo.

MONTAJE

Para montar su scooter:

1. Alinee los indicadores en las secciones delantera y trasera y coloque los ganchos de la sección delantera en los pasadores de la sección trasera como se muestra en el paso 8.
2. Gire ambos pasadores de pivote principal 90 ° hacia el suelo como se muestra en el paso 7.
3. Enganche el pestillo de adelante hacia atrás para asegurar las secciones delantera y trasera juntas como se muestra en el paso 6.
4. Despliegue su scooter como se muestra en la **figura 14**. Consulte V. “Desmontaje/Montaje y Plegable/Desplegable” para obtener más información.

TRANSPORTE

Para transportar su scooter plegado (fig. 17):

1. Pliegue su scooter como se muestra en el paso 6 en la **figura 14**. Consulte V. “Desmontaje/Montaje y Plegable/Desplegable” para obtener más información.

NOTA: Asegúrese de que el pestillo de adelante hacia atrás esté enganchado, asegurando el secciones delantera y trasera del scooter.

2. Levantar el timón con la palanca del timón.
3. Mientras sostiene el manillar, tire de la cultivadora hacia adelante para sacarla del pie de apoyo y los topes de goma.
4. Haga rodar libremente la unidad sobre los neumáticos traseros.

CLAVES DE IDENTIFICACIÓN

1. Sección Delantera
2. Sección Trasera
3. Batería

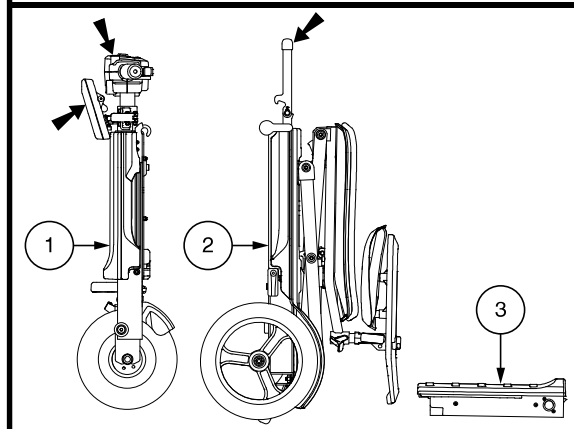


Figura 15. Desmontaje

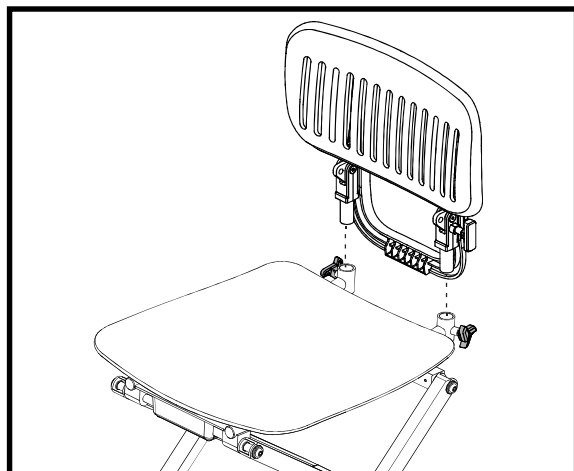


Figura 16. Extracción del respaldo del asiento

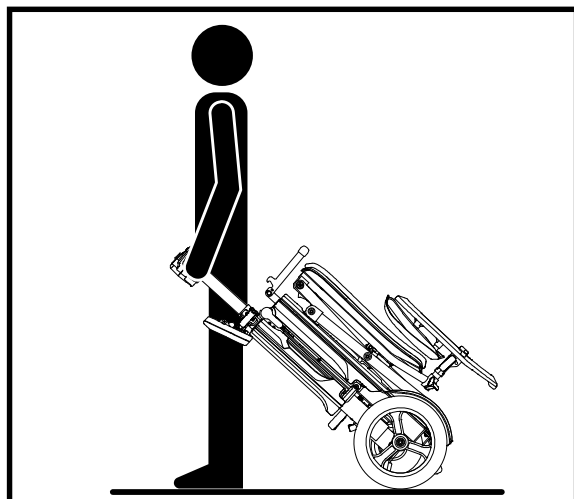


Figura 16. Transporte

VI. RESOLUCIÓN DE PROBLEMAS

Mi scooter no se enciende ni funciona

- Asegúrese de que el disyuntor esté en “ON” (hacia la parte trasera del scooter).
- Compruebe que la batería estén completamente cargadas.
- Asegúrese de que la batería esté conectada firmemente y correctamente.
- Asegúrese de que el paquete de baterías esté colocado correctamente.

No consigo cargar mis nuevas baterías

- Compruebe que ambos extremos del cable del cargador estén bien conectados.

¿Qué hacer si el disyuntor principal salta repetidamente?

- Si el disyuntor principal interrumpe la corriente a menudo, consulte a su comerciante autorizado.
- Cargue la batería del scooter con más frecuencia. Ver III. “Baterías y carga”.
- Consulte el capítulo III, “Baterías y su carga” o “Hoja de características del producto” para conocer el tipo de baterías de su scooter.

Para comprobar un fusible:

1. Retire el portafusibles presionando y girando un cuarto de vuelta en sentido contrario a las agujas del reloj.
2. Examine el fusible en el portafusibles. Consulte la figura 18. Si se quema el fusible, debe reemplazarlo.
3. Inserte un fusible nuevo de la clasificación adecuada en el portafusibles.
4. Vuelva a instalar el portafusibles presionando y girando un cuarto de vuelta en el sentido de las agujas del reloj.



¡ADVERTENCIA! El fusible de reemplazo debe coincidir exactamente con la clasificación del fusible anterior. Si no se utilizan fusibles aprobados y clasificados correctamente, se pueden causar daños al sistema eléctrico.

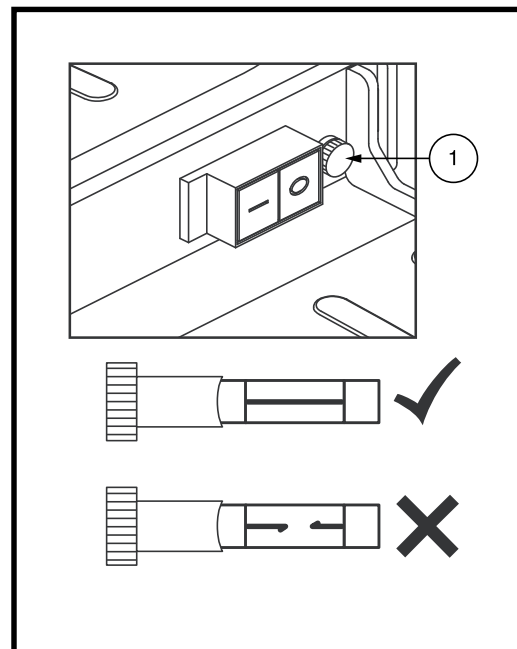


Figura 18. Reemplazo de fusibles

VII. CUIDADO Y MANTENIMIENTO

Su scooter necesita un cuidado y un mantenimiento mínimos. Si no se siente competente para proporcionar a su scooter los cuidados citados a continuación, pida cita a su comerciante autorizado para que realice un chequeo de inspección y mantenimiento. Deberá realizar revisiones y/o controles periódicos en las siguientes zonas.

LOS NEUMÁTICOS

Inspeccione regularmente el desgaste en las ruedas de su scooter.

CAMBIO DE RUEDAS

Su scooter está equipado con ruedas macizas. En caso de daño o desgaste excesivo en una rueda, deberá cambiar la rueda entera. Consulte a su comerciante autorizado para obtener más información sobre el cambio de ruedas para su scooter.



¡ADVERTENCIA! Las ruedas del scooter únicamente podrán ser mantenidas o reemplazadas por un comerciante autorizado o un técnico cualificado.

ADVERTENCIA! Asegúrese de que el scooter esté “APAGADO” y que la batería no esté conectada antes de realizar este procedimiento.

SUPERFICIES EXTERIORES

Aplique ocasionalmente un acondicionador de caucho o vinilo en los parachoques, neumáticos y molduras.



¡ADVERTENCIA! No aplique el acondicionador de caucho o vinilo en el asiento de vinilo del scooter ni en la rodadura de los neumáticos ya que se volverían peligrosamente resbaladizos.

LIMPIEZA Y DESINFECCIÓN

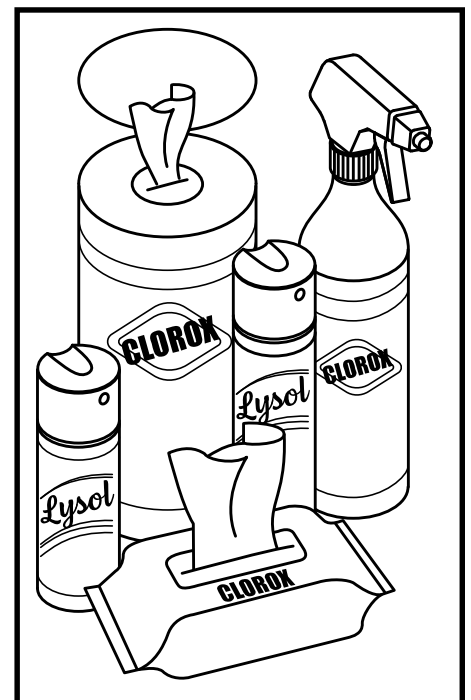
Se deben tomar precauciones al limpiar equipos / productos para reducir el riesgo de propagación de infecciones. Esto es para limitar la propagación de enfermedades y otros materiales potencialmente infecciosos (OPIM) (componentes sanguíneos).

- Utilice un paño húmedo y suave y un limpiador no abrasivo para limpiar las partes plásticas y de metal del scooter. No use productos que puedan rayar la superficie del scooter.
- En caso necesario, limpie su producto con un desinfectante apropiado. Antes de aplicarlo, asegúrese de que pueda utilizar el desinfectante en su producto.

CÓMO LIMPIAR / DESINFECTAR EL EQUIPO:

SUPERFICIES DURAS/BLANDAS (Cubiertas de plástico, armazón de metal, tela del asiento, neumáticos, apoyabrazos y alfombrillas para los pies, según corresponda)

- Para superficies duras / blandas, elimine la contaminación visible si está presente.
 - Para plástico y metal, use el aerosol / toallitas desinfectantes Lysol®/ Clorox® y otros productos desinfectantes calificados para el SARS-CoV-2.
 - Para otras superficies de vinilo, limpie con toallitas desinfectantes aptas para vinilo o soluciones
 - Desinfectantes sugeridos
 - Desinfectante Birex® SE, Desinfectante Bleach-Rite® Aerosol, Citrace® Germicida
 - Desinfectante limpiador hospitalario en aerosol Dispatch® con blanqueador
 - Solución de lejía diluida (dilución al 10% o menos); Nota: es adecuada la lejía con un factor de pH entre 7 y 9; un producto con un pH de 10,5 o superior puede dañar la integridad de la superficie del vinilo durante un período prolongado período de tiempo



VII. CUIDADO Y MANTENIMIENTO

- Toallitas desinfectantes
 - Toallitas Clorox, Green Works, PDI Sani-Cloth HB Lysol, Oxivir, Virox y CaviWipes.
- Para la limpieza de llantas, limpie con limpiadores de llantas / ruedas disponibles en el mercado

ELECTRÓNICA (controlador de joystick, pantallas mejoradas, pantallas táctiles, controles remotos, teclados, teléfonos celulares y tabletas, según corresponda)

- Para la electrónica, elimine la contaminación visible si está presente.
 - Apague el producto y desconecte las baterías.
 - Nunca rocíe ningún líquido directamente en el (los) producto(s).
 - Humedezca un paño de microfibra con una mezcla de alcohol isopropílico al 70% / solución de agua al 30%. La tela debe estar húmedo, pero no goteando ni excesivamente mojado. Seque bien las superficies para evitar la acumulación de líquidos y antes de encajonar.

¡ADVERTENCIA! Siga todas las instrucciones de seguridad para el uso adecuado del desinfectante y / o agente de limpieza antes de aplicarlo a su producto. El incumplimiento puede resultar en irritación de la piel o deterioro prematuro de la tapicería y / o acabados de las scooters.

¡ADVERTENCIA! Nunca use ningún agente de limpieza o desinfección, solvente, lubricante o cualquier otro producto en las pastillas de freno, discos de freno, transeje, motor/caja de cambios de su producto de movilidad. Si lo hace, puede dañar los componentes y/o hacer que no funcionen correctamente. Se pueden producir daños a la propiedad y/o lesiones personales.



¡ADVERTENCIA! Nunca lave su scooter con una manguera ni la coloque en contacto directo con el agua. Su scooter tiene una cubierta de plástico que permite limpiarla fácilmente con un paño húmedo

¡ADVERTENCIA! Nunca use productos químicos para limpiar un asiento de vinilo, ya que pueden hacer que el asiento se vuelva resbaladizo o se seque y se agriete. Use agua con jabón y seque bien el asiento.

CONEXIONES DEL PAQUETE DE BATERIA

Asegúrese de que los conectores de los terminales de la batería estén apretados y no corroídos.

CABLEADO ELÉCTRICO

- Compruebe regularmente todas las conexiones cableadas.
- Verifique regularmente el aislamiento de los cables, incluido el cable del cargador, para descartar cualquier desgaste o daño.
- Pídale a su comerciante autorizado que repare o cambie los conectores o material aislante dañado antes de volver a utilizar su scooter.



¡PROHIBIDO! Si bien el scooter ha superado todas las pruebas requeridas de resistencia a líquidos, deberá evitar que los componentes eléctricos se humedezcan (exposición directa al agua o fluidos corporales e incontinencia). Verifique los comp. eléctricos y, en caso de encontrar signos de corrosión, sustitúyalos por otros nuevos.



¡ADVERTENCIA! No tire directamente de los cables eléctricos para desconectarlos del scooter. Sujete siempre por el conector del cable para evitar cualquier daño a la hora de desenganchar los cables.

VII. CUIDADO Y MANTENIMIENTO

CONTROLES DIARIOS

- Con la energía apagada, verifique el acelerador. Asegúrese de que no esté doblado ni dañado y que vuelva a la posición neutral cuando lo suelte. No intente repararlo. Consulte a su distribuidor autorizado si hay algún problema.
- Inspeccione el cable de timón. Asegúrese de que no esté deshilachado, con cortes o cables a la vista. En caso de problemas, consulte con su comerciante autorizado.
- Compruebe si hay puntos planos en los neumáticos. Las abolladuras pueden afectar a la estabilidad de la scooter.
- Compruebe los frenos. Esta prueba debe realizarse sobre una superficie llana, con la scooter levantada a unas 36 pulgadas del suelo.
- Revise todos los cables, alambres, pestillos y palancas diariamente.
- Revise diariamente los mangos y cables del freno. Póngase en contacto con su comerciante autorizado si hay algún problema.

Para los frenos:

1. Gire la llave en el sentido de las agujas del reloj para encender (encender) y presione el botón del disyuntor hacia la parte trasera del scooter.
2. Asegúrese de que todas las conexiones de la línea de freno estén seguras.
3. Tire lentamente del acelerador hacia adelante hasta que escuche el clic de los frenos eléctricos. Suelte el acelerador inmediatamente. Tú debe poder escuchar el funcionamiento del freno eléctrico a los pocos segundos del movimiento del acelerador. Repite esta prueba tirando del acelerador en la dirección opuesta

CONTROLES SEMANALES

- Inspeccione el pantalla del timón, el paquete de baterías, y el neumático delantero en busca de corrosión. Póngase en contacto con su comerciante autorizado si es necesario.

CONTROLES MENSUALES

- Compruebe el desgaste de los neumáticos. Consulte a su comerciante autorizado para su reparación.
- Mantenga su scooter limpio y libre de materiales extraños como barro, suciedad, cabello, alimentos, bebidas, etc.

CONTROLES ANUALES

Diríjase a su comerciante autorizado para efectuar las revisiones anuales. Así, tendrá la seguridad de que su scooter sigue funcionando correctamente, además de prevenir posibles complicaciones.

CUBIERTA DE PLÁSTICO

Lave las superficies de plástico con un paño suave empapado en detergente suave y agua tibia. Enjuagar bien y secar con un paño suave. No utilice disolventes, limpiadores de cocina abrasivos, cera, spray para detalles, ArmorAll® ni ningún producto elaborado para pintura brillante

COJINETES DEL EJE Y CONJUNTO TREN MOTRIZ

Estos elementos vienen prelubricados y sellados, y no necesitan más lubricación.

CONSOLA, CARGADOR/SIST. ELÉCTRICO

- Mantenga siempre estas zonas sin humedad.
- Si alguno de estos componentes se humedeciera, déjelo secar completamente antes de volver a utilizar su scooter.

VII. CUIDADO Y MANTENIMIENTO

CAMBIO DE LAS CONTRATUERCAS DE NYLON

Toda contratuerca de nylon que haya sido retirada con motivo del mantenimiento periódico, el montaje o desmontaje del scooter, deberá ser reemplazada por una nueva. Las contratuercas de nylon no pueden volver a utilizarse ya que se dañaría la inserción de nylon, provocando un ajuste menos seguro. Dispone de contratuercas de nylon de recambio en su ferretería local o puede conseguirlas a través de su comerciante autorizado.

ALMACENAMIENTO

Si planea no utilizar su scooter por un periodo largo de tiempo, le aconsejamos que:

- Antes de guardar su scooter, cargue completamente la batería.
- Extraiga el paquete de baterías del scooter.
- Guarde el scooter en un lugar templado y seco. No deje que la batería se congelen.
- Evite guardar el scooter en lugares sujetos a temperaturas extremas.
- Temperatura de almacenamiento recomendada: 14°F/-10°C a 122°F/50°C (el rango óptimo es 59°F/15°C a 77°F/25°C).

Las baterías que se dejan descargar con frecuencia, no se cargan con regularidad, se guardan bajo temperaturas extremas o antes de haberlas recargado completamente pueden dañarse de forma permanente, afectando al funcionamiento del producto y limitando la vida de las mismas. Aunque guarde el scooter durante largos periodos de tiempo, nosotros recomendamos cargar la batería periódicamente para garantizar un rendimiento óptimo.



¡ADVERTENCIA! Proteja siempre la batería de temperaturas heladas y nunca cargue una batería congelada. El cargado de una batería congelada puede provocar daños en la batería.

Si va a guardar el scooter durante un largo tiempo, coloque varios cartones bajo la estructura del vehículo para levantarlo del suelo. Así, las ruedas no tienen que soportar todo el peso y se reduce el riesgo de abolladuras en las zonas de los neumáticos en contacto con el suelo.

ELIMINACIÓN Y RECICLAJE DEL SCOOTER

Para deshacerse de su scooter deberá tener en cuenta la normativa aplicable en su país. Póngase en contacto con la agencia local de eliminación de residuos o con su comerciante autorizado para saber cómo deshacerse correctamente del paquete, los componentes metálicos y plásticos, el sistema electrónico, la batería, así como los materiales de neopreno, silicona y poliuretano.



¡ADVERTENCIA! Las bolsas de plástico son un peligro de asfixia. Deseche las bolsas de plástico adecuadamente y no permita que los niños jueguen con ellas.

NOTES

Please fill out the following information for quick reference:

S.V.P. veuillez compléter les informations ci dessous:

Por favor, rellene la siguiente información para tener siempre a mano:

Dealer:

Marchand:

Comerciante: _____

Address:

Adresse:

Dirección: _____

Telephone:

Téléphone:

Número de teléfono: _____

Purchase Date:

Date d'achat:

Fecha de compra: _____



I N F M A N U 5 1 3 1



Serial #/série #/serie #